



US00D625936S

(12) **United States Design Patent**  
**Stein**

(10) **Patent No.:** **US D625,936 S**

(45) **Date of Patent:** **\*\* Oct. 26, 2010**

(54) **DESK**

(76) **Inventor:** **Chazon Stein**, 630 NE. 173rd Ter.,  
North Miami Beach, FL (US) 33162

(\*\*) **Term:** **14 Years**

(21) **Appl. No.:** **29/339,185**

(22) **Filed:** **Jun. 25, 2009**

(51) **LOC (9) Cl.** ..... **06-03**

(52) **U.S. Cl.** ..... **D6/422**

(58) **Field of Classification Search** ..... D6/422-428,  
D6/491, 509, 511; 312/194-196, 239, 279;  
108/50.01, 50.02

See application file for complete search history.

(56) **References Cited**

**U.S. PATENT DOCUMENTS**

D161,959 S *	2/1951	Park	.....	D6/397
3,290,105 A *	12/1966	Nall	.....	312/209
4,948,205 A *	8/1990	Kelley	.....	312/196
D552,301 S *	10/2007	Domack et al.	.....	D6/422
D595,783 S *	7/2009	Anderson	.....	D21/369

\* cited by examiner

*Primary Examiner*—Janice E Seeger

(74) *Attorney, Agent, or Firm*—David W. Barman; Robert M. Schwartz

(57) **CLAIM**

The ornamental design for a desk, as shown and described.

**DESCRIPTION**

FIG. 1 is a front view of the present invention.

FIG. 2 is a rear view of the present invention.

FIG. 3 is a side view of the left side of the present invention, left being relating to FIG. 2.

FIG. 4 is a side view of the right side of present invention, right being relating to FIG. 2.

FIG. 5 is a top view of the present invention.

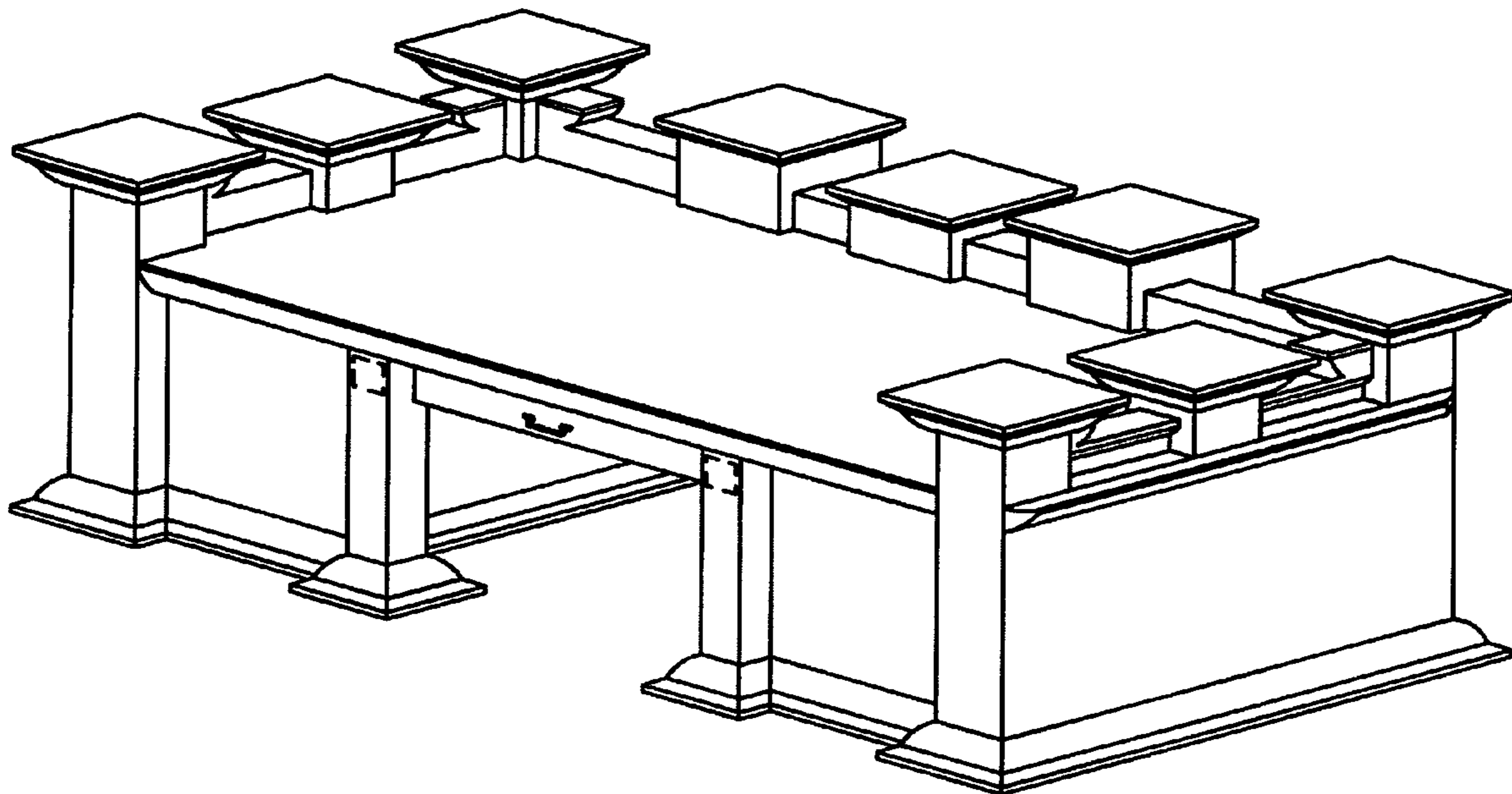
FIG. 6 is a bottom view of the present invention.

FIG. 7 is a rear perspective view of the present invention; and,

FIG. 8 is a bottom perspective view of the present invention.

The broken lines are for environmental purposes only and form no part of the claimed design.

**1 Claim, 8 Drawing Sheets**



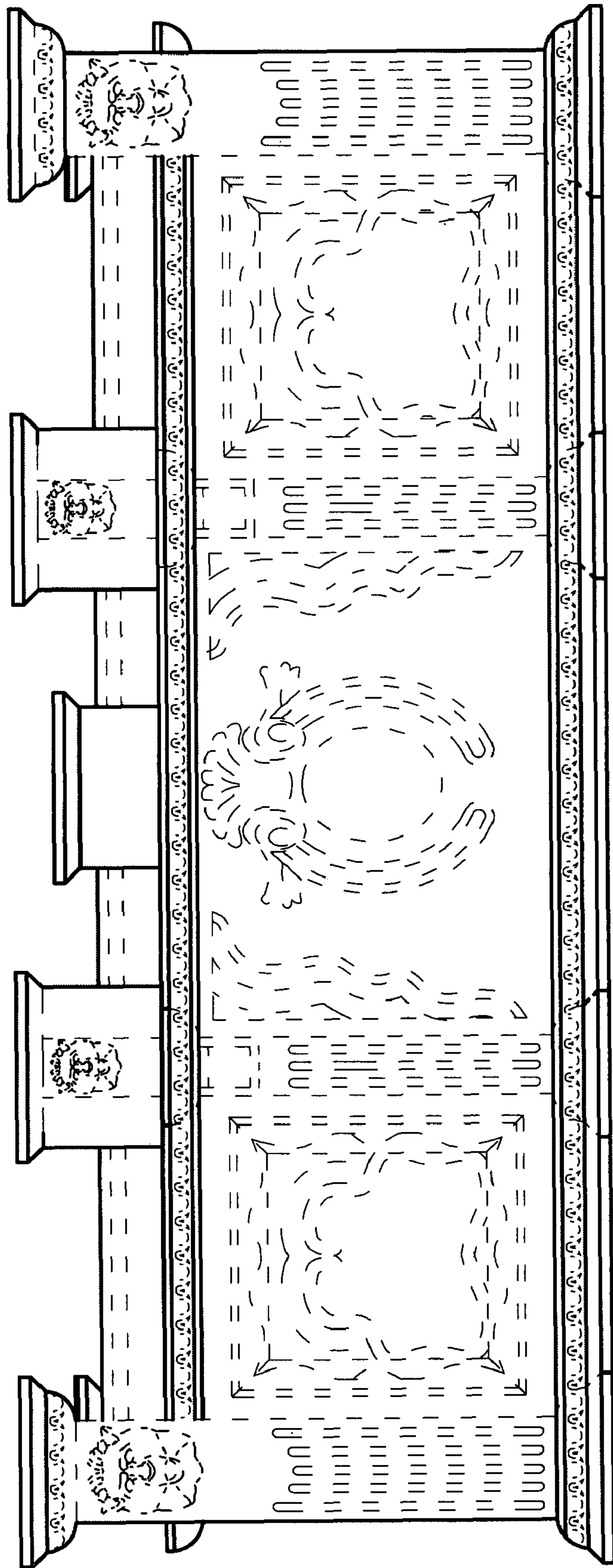


FIG.1

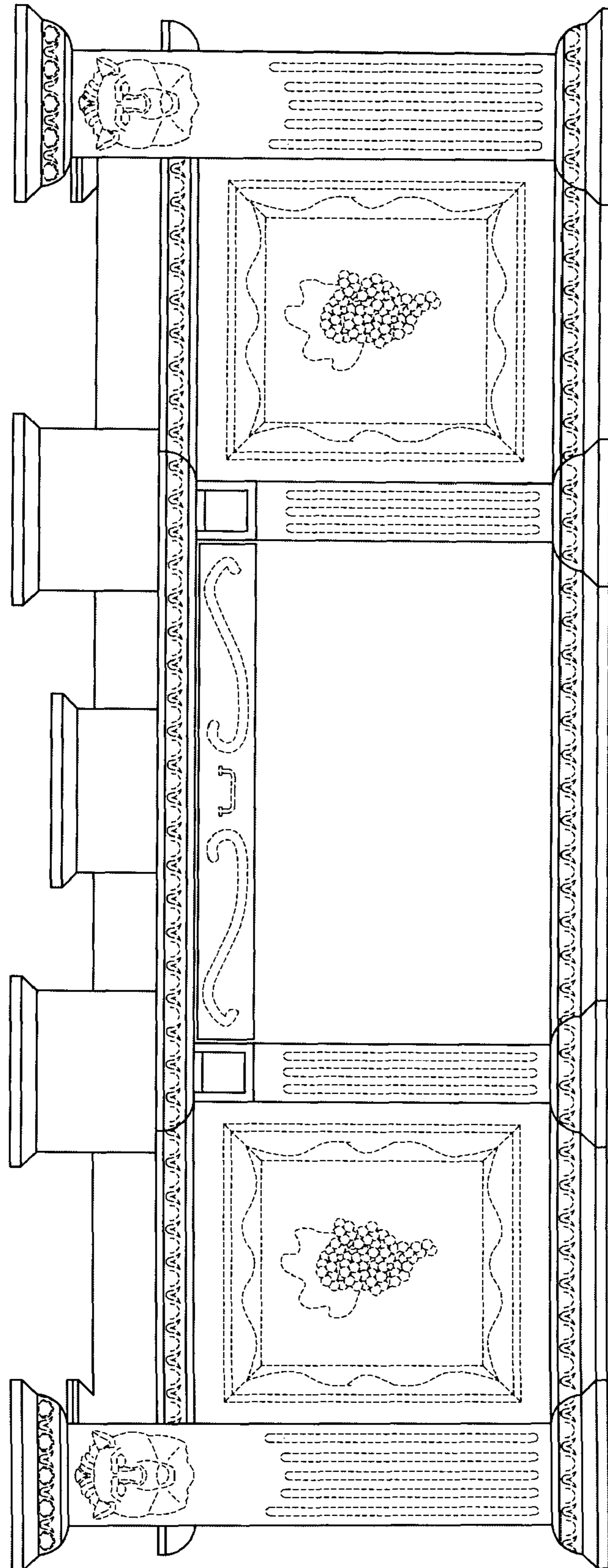


FIG. 2

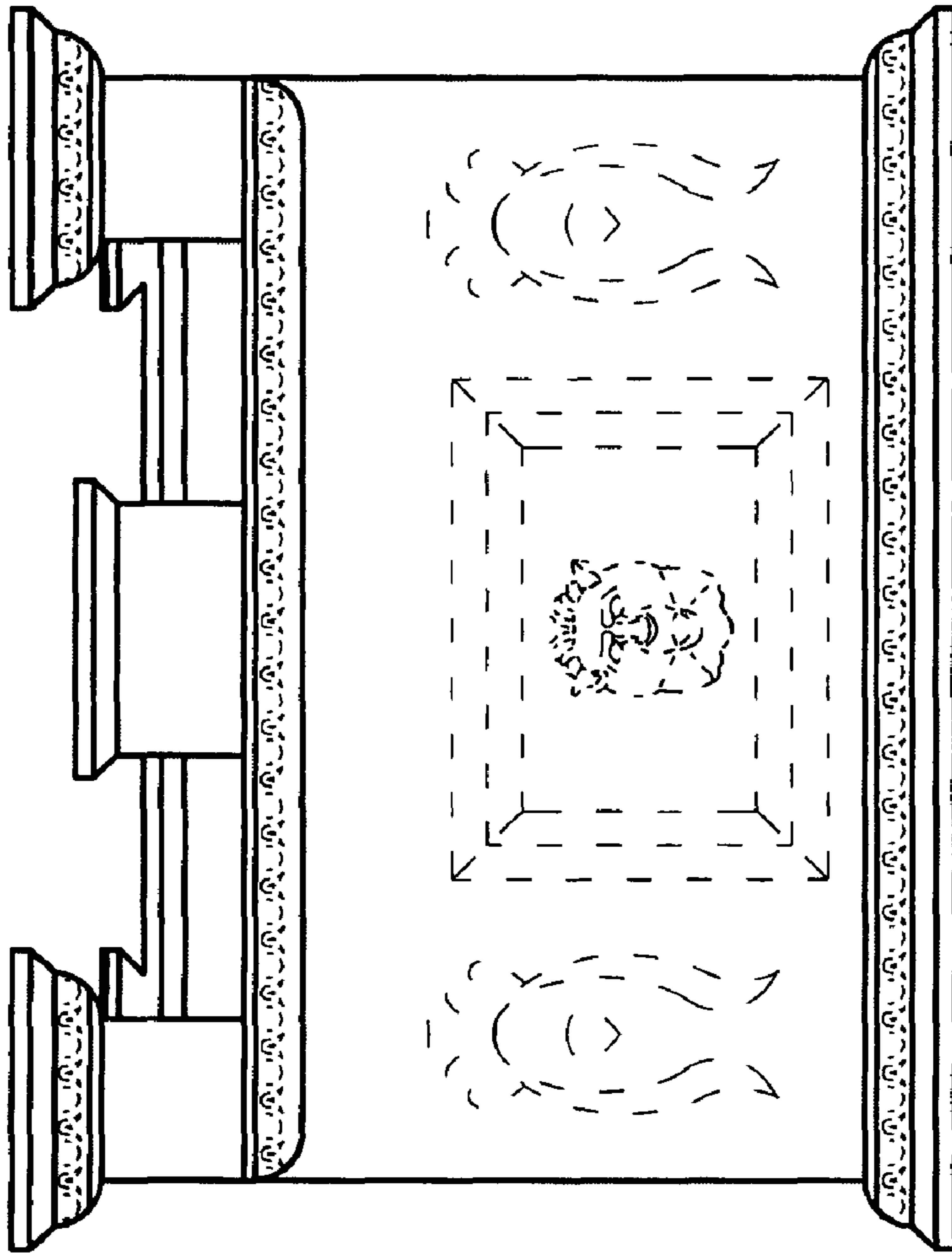


FIG. 3

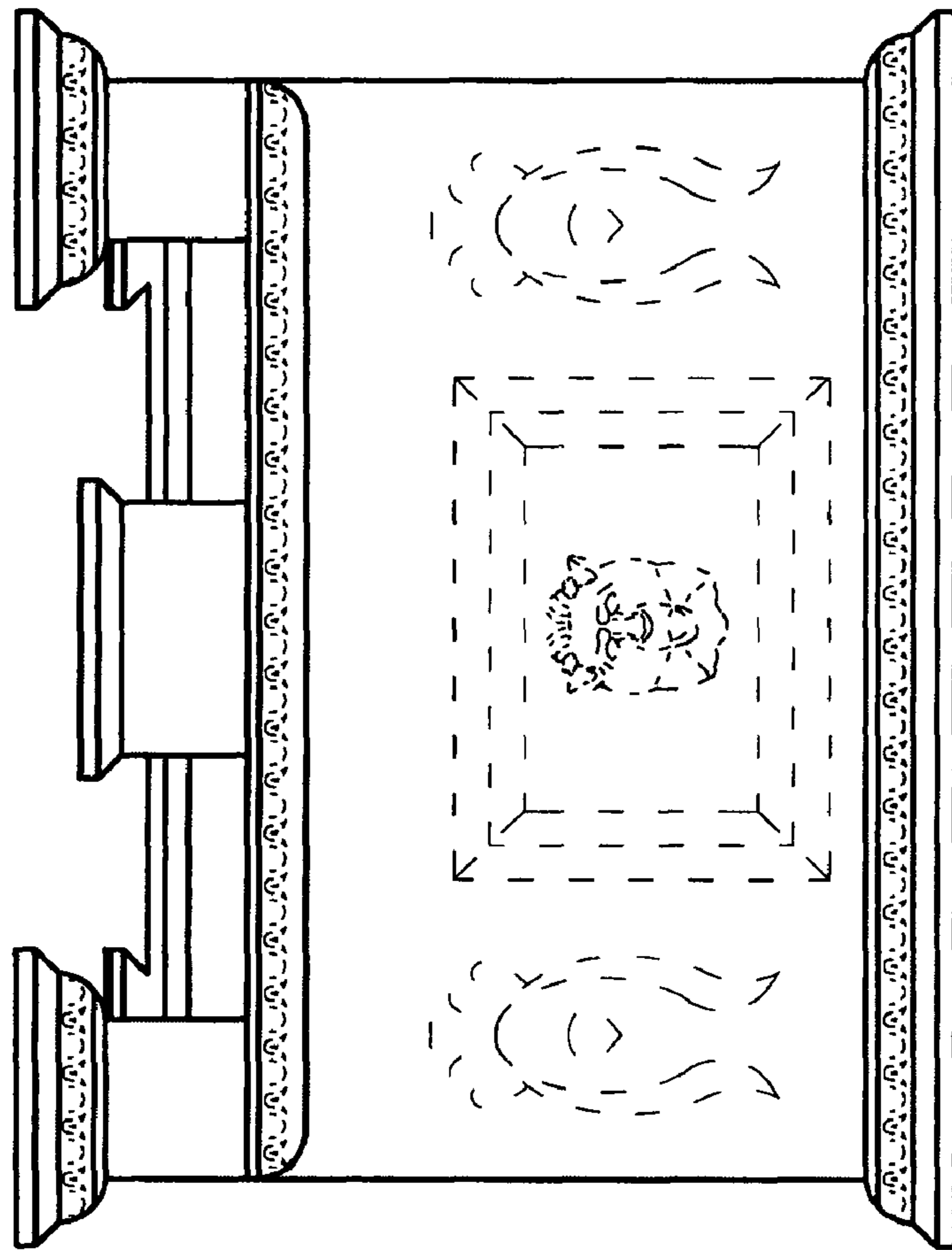


FIG. 4



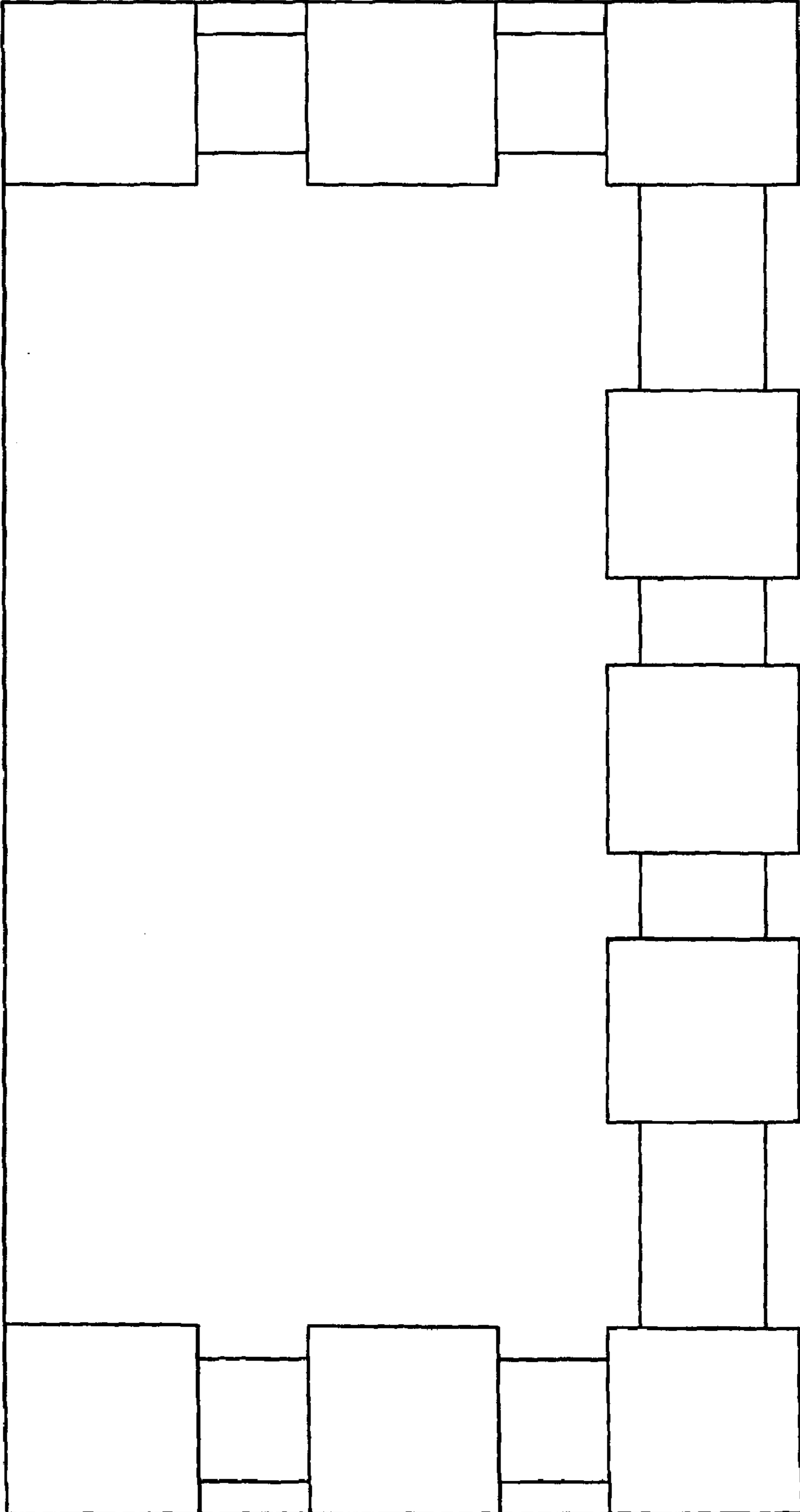


FIG. 5

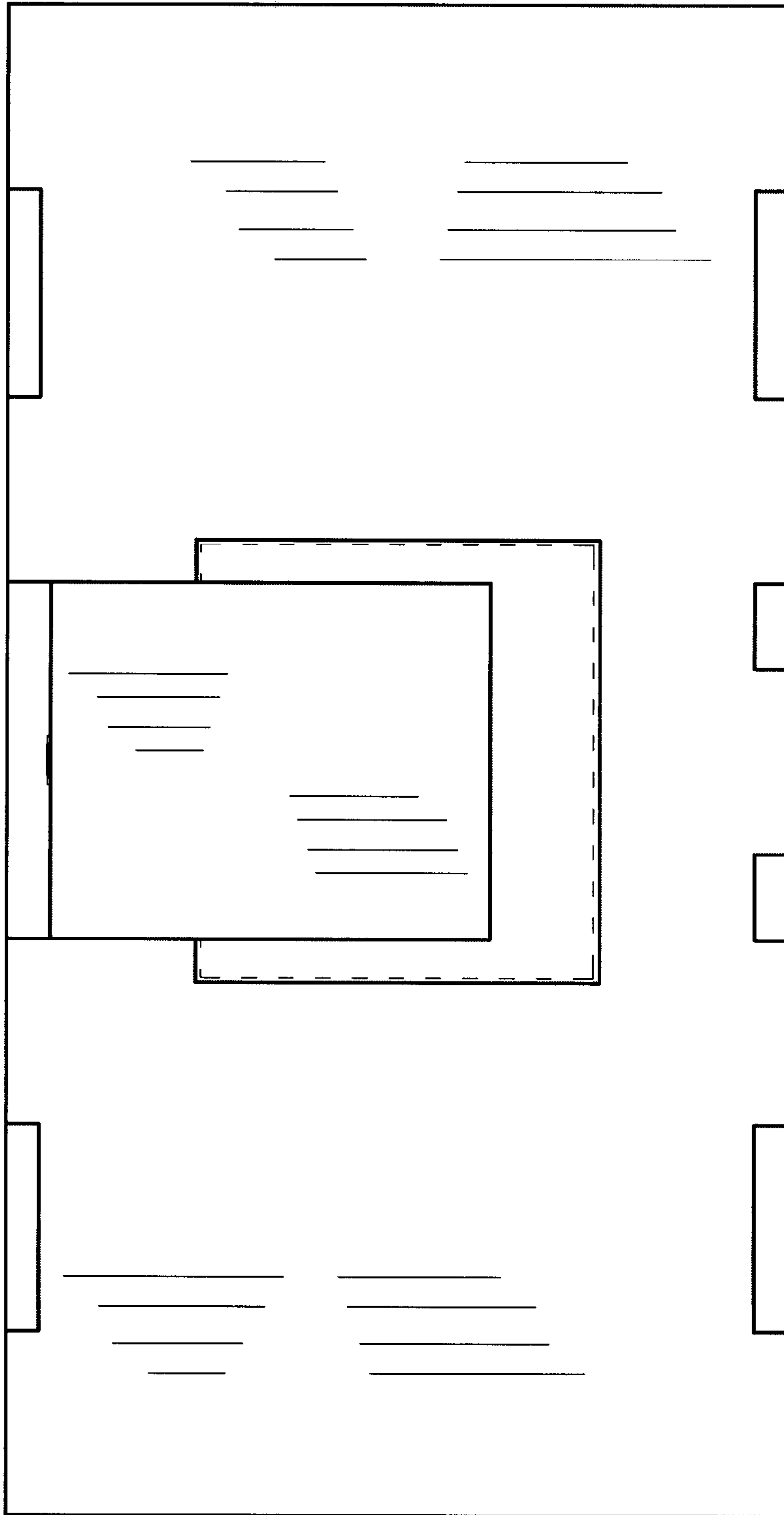


FIG. 6

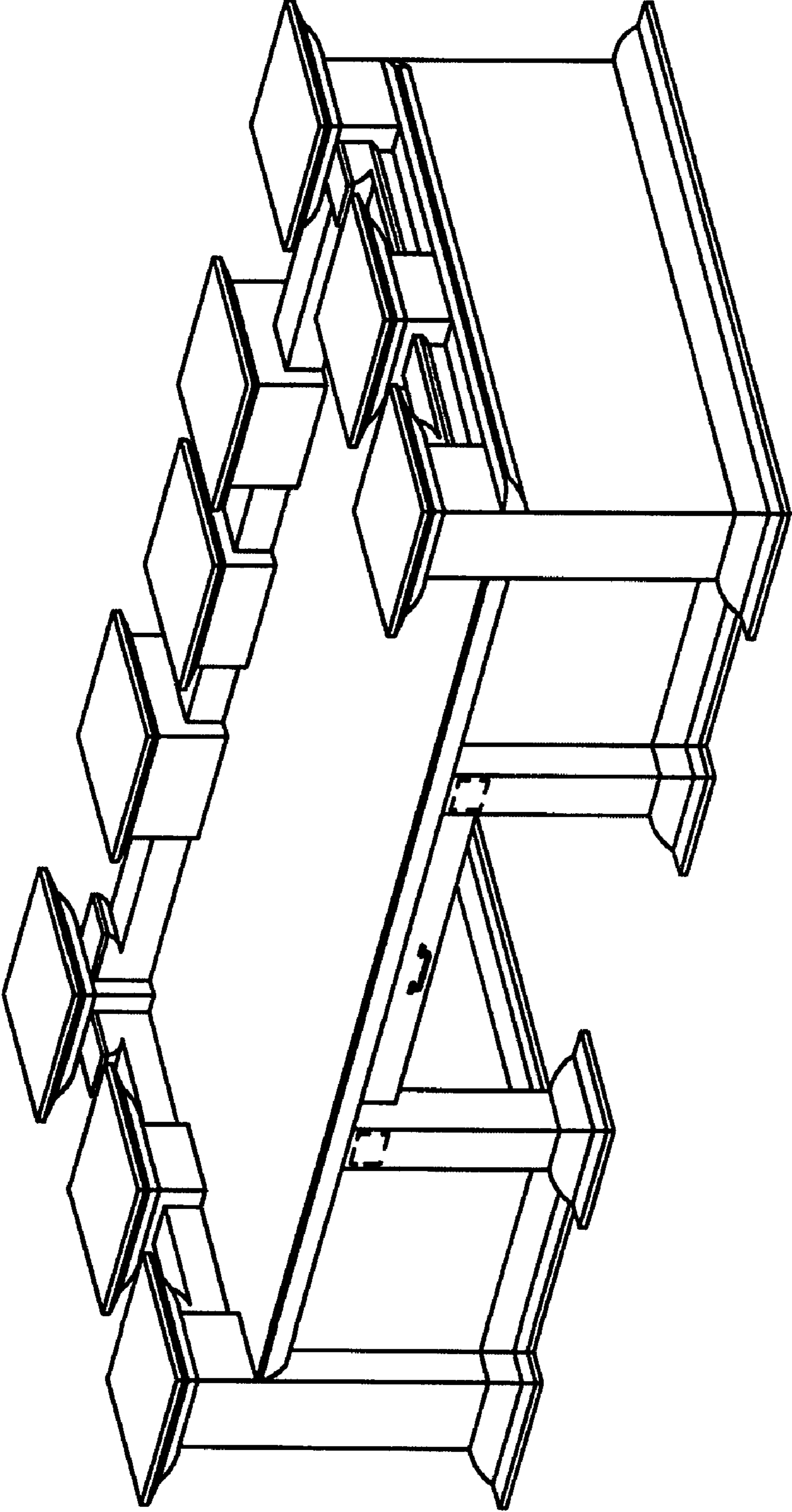


FIG. 7



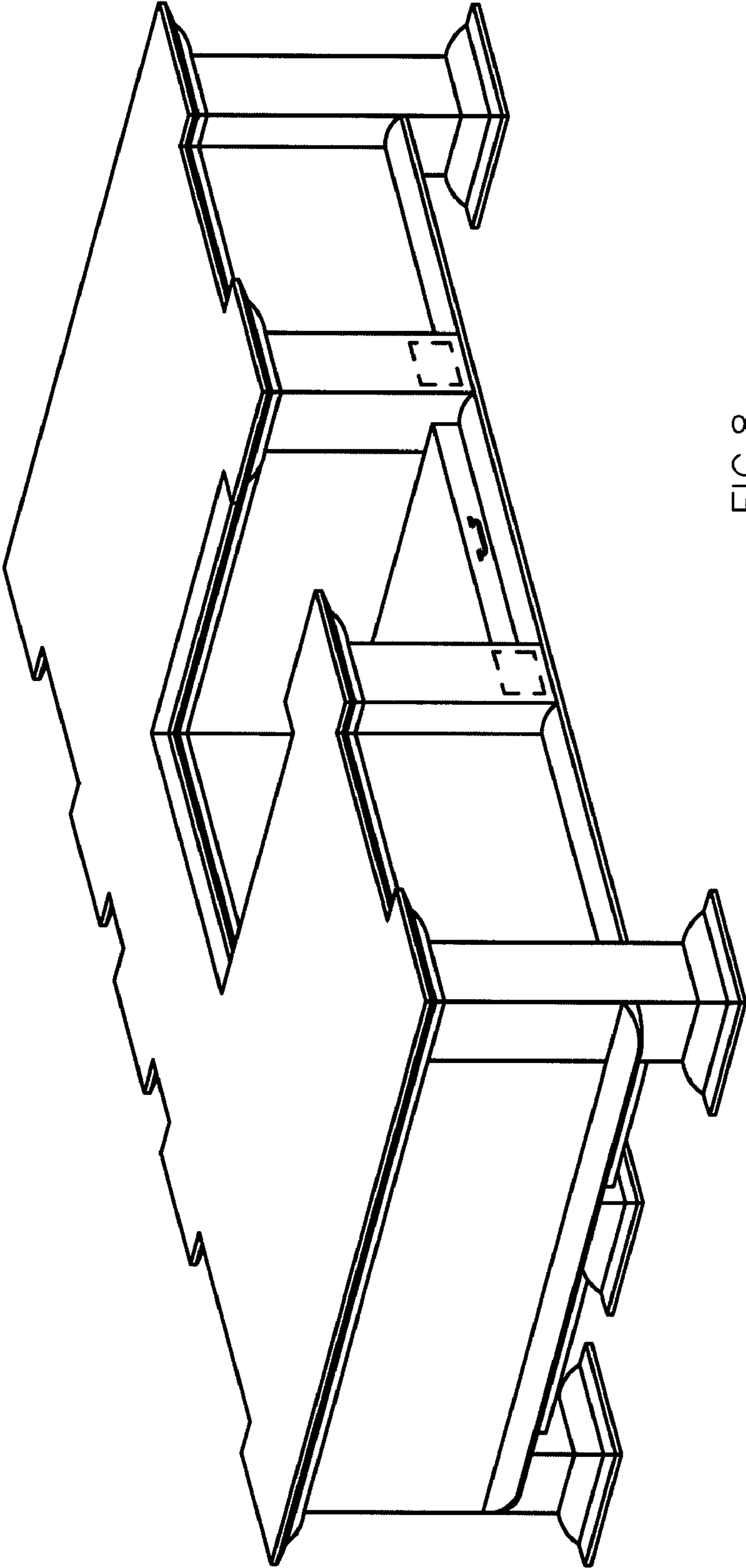


FIG. 8