



US00D625935S

(12) **United States Design Patent**
Theisen

(10) **Patent No.:** **US D625,935 S**

(45) **Date of Patent:** **** Oct. 26, 2010**

(54) **SWATCH HOLDER**

(75) Inventor: **Jennifer A. Theisen**, Crystal, MN (US)

(73) Assignee: **Target Brands, Inc.**, Minneapolis, MN (US)

(**) Term: **14 Years**

(21) Appl. No.: **29/359,657**

(22) Filed: **Apr. 14, 2010**

(51) **LOC (9) Cl.** **06-04**

(52) **U.S. Cl.** **D6/410; D20/43**

(58) **Field of Classification Search** D6/396,
D6/409, 410, 449, 466; D3/318; D8/349,
D8/382; D20/10, 13–15, 17–19, 43, 44,
D20/99; 40/360, 446, 453, 489–491, 502,
40/538, 541, 584, 606.01, 607.03, 607.06,
40/607.11–607.14, 611.11, 611.13, 616–618,
40/620, 624, 625, 642.02, 648, 661, 662,
40/666, 673; 248/200, 221.11

See application file for complete search history.

(56) **References Cited**

U.S. PATENT DOCUMENTS

D26,461 S *	12/1896	Sassenhoff	D20/43
D52,333 S *	8/1918	Marr	D20/44
1,973,989 A *	9/1934	Lukacs	40/360
D242,431 S *	11/1976	Carroll	D20/43
D303,050 S *	8/1989	Spence, Jr.	D6/449
D348,286 S *	6/1994	Garfinkle	D20/43
D353,277 S *	12/1994	Irvin	D6/410
D355,788 S *	2/1995	Irvin	D6/410
5,992,072 A *	11/1999	Garfinkle	40/642.02
D423,220 S *	4/2000	McDade	D3/318
D607,061 S *	12/2009	Kosir	D20/44
D616,946 S *	6/2010	Garfinkle et al.	D20/43
2002/0035798 A1 *	3/2002	Gray	40/124.01
2008/0282592 A1 *	11/2008	Brinkman et al.	40/661.03

2010/0050490 A1* 3/2010 Hedditch 40/606.01

OTHER PUBLICATIONS

Target, "Display Installation Instructions," Bedding Swatch Fixture AX2839 with Signing Instructions, p. 1 of 1 (at least as early as Feb. 1, 2010).

* cited by examiner

Primary Examiner—Mary Ann Calabrese

(74) *Attorney, Agent, or Firm*—Leanne Taveggia Farrell; Westman, Champlin & Kelly, P.A.

(57) **CLAIM**

The ornamental design for a swatch holder, as shown and described.

DESCRIPTION

FIG. 1 is a first perspective view of one embodiment of the swatch holder.

FIG. 2 is a second perspective view of the swatch holder illustrated in FIG. 1.

FIG. 3 is a left side view of the swatch holder illustrated in FIG. 1.

FIG. 4 is a right side view of the swatch holder illustrated in FIG. 1.

FIG. 5 is a front view of the swatch holder illustrated in FIG. 1.

FIG. 6 is a back view of the swatch holder illustrated in FIG. 1.

FIG. 7 is a top view of the swatch holder illustrated in FIG. 1; and,

FIG. 8 is a bottom view of the swatch holder illustrated in FIG. 1.

The dashed lines in FIG. 1 illustrating a shelf, screws and a swatch are directed to environment and are for illustrative purposes only while all other dashed lines in FIGS. 1-8 represent the bounds of the claimed design and form no part of the claimed design for the swatch holder.

1 Claim, 7 Drawing Sheets

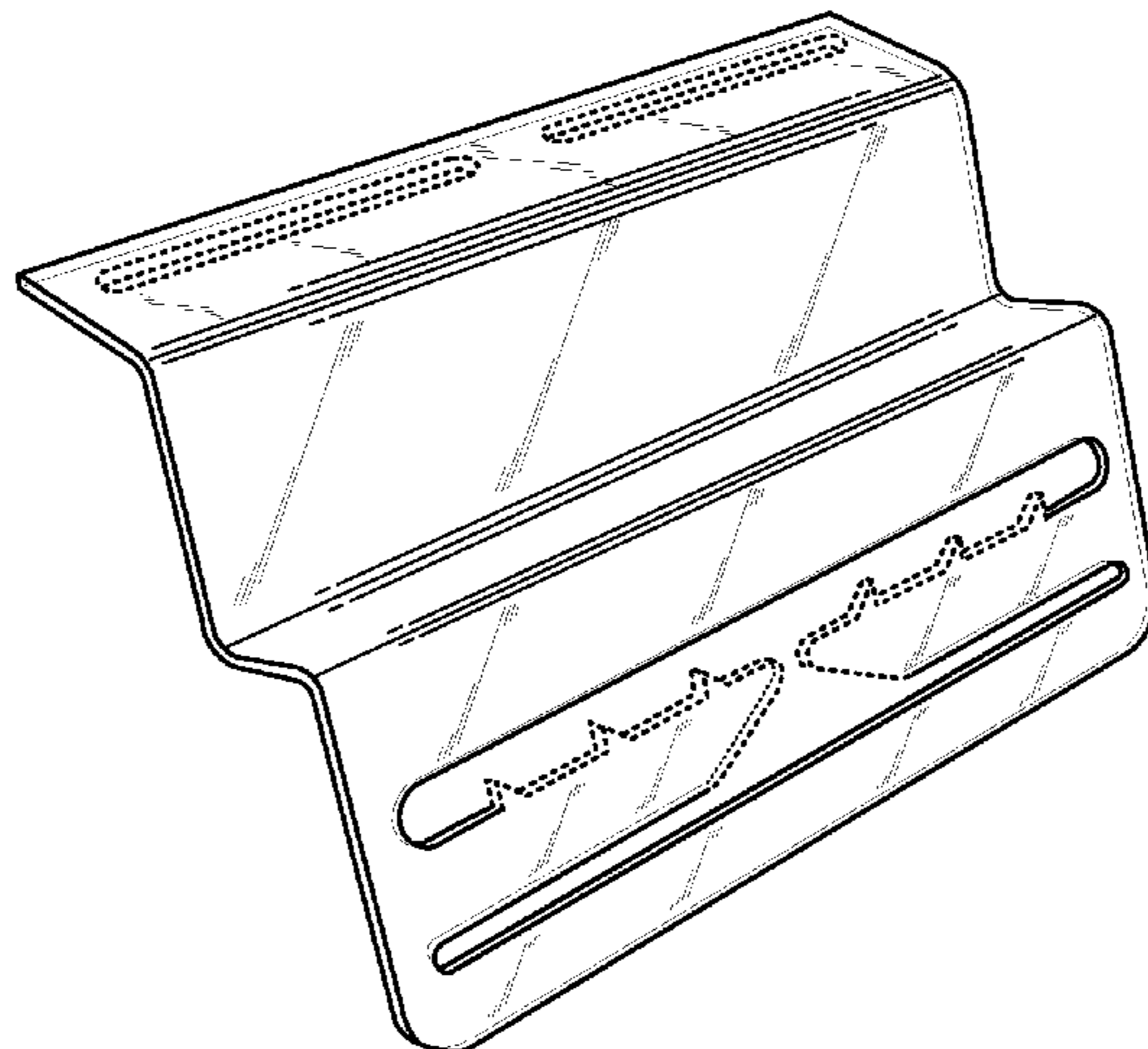


FIG. 1

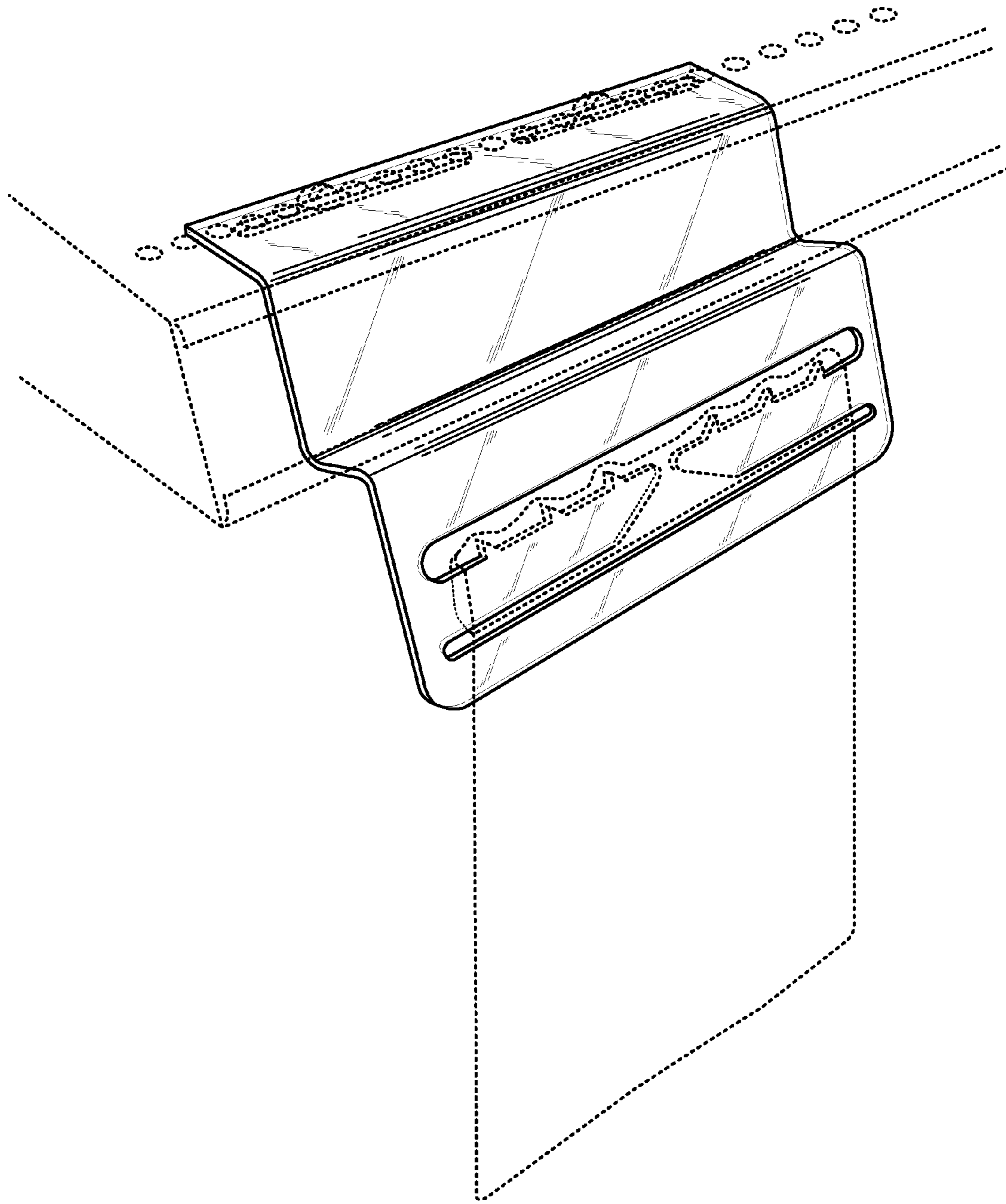
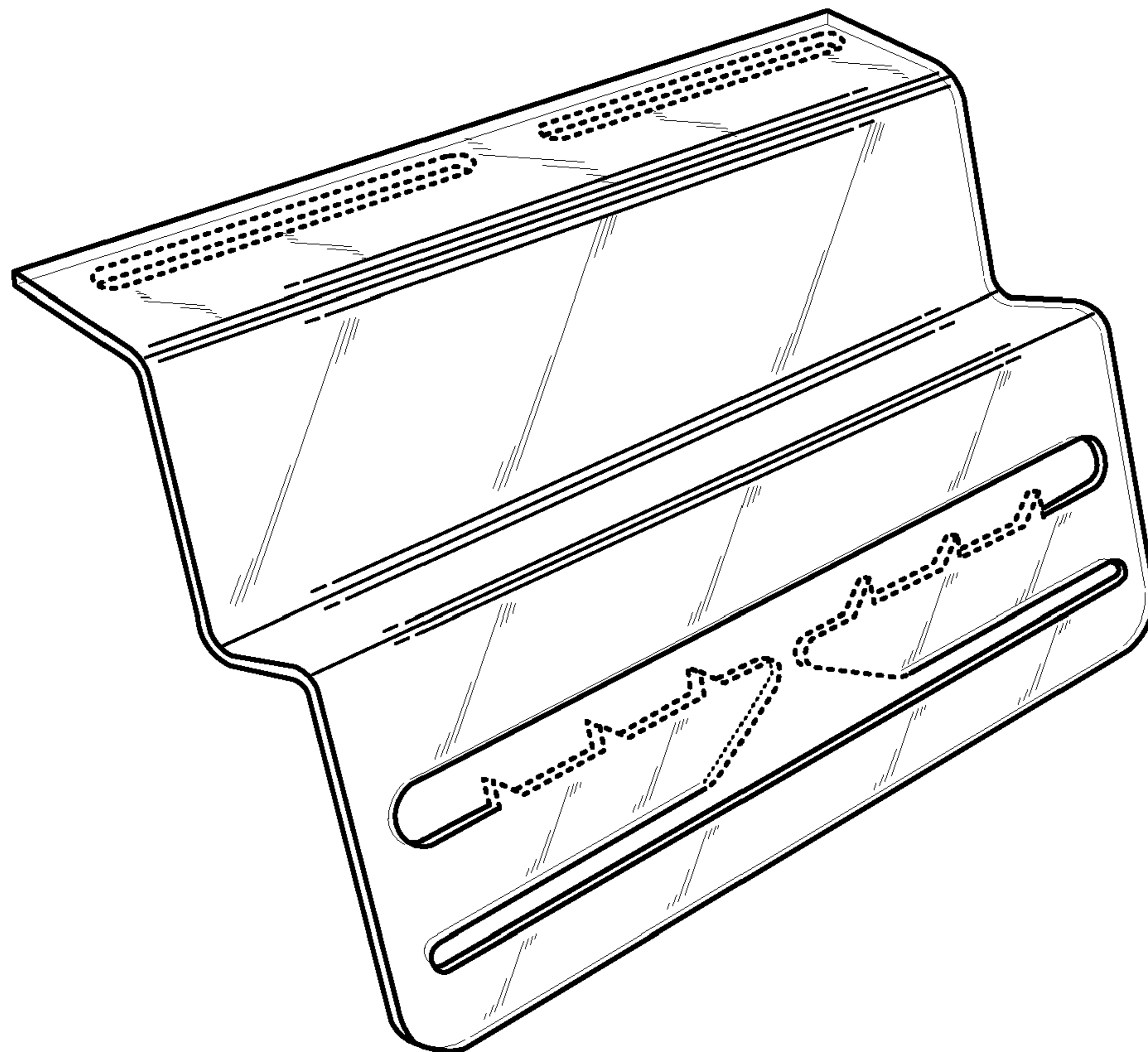


FIG. 2



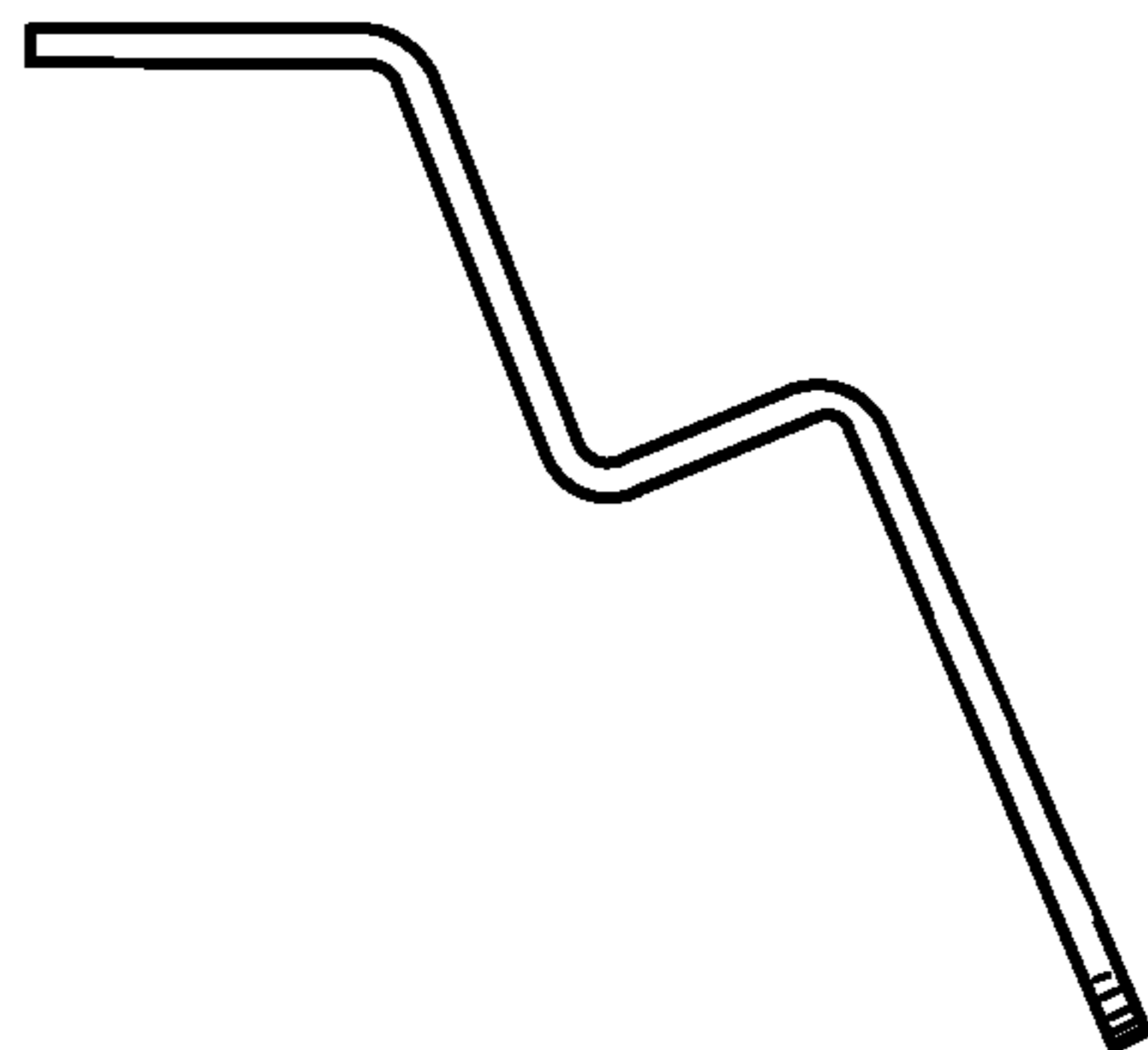


FIG. 3

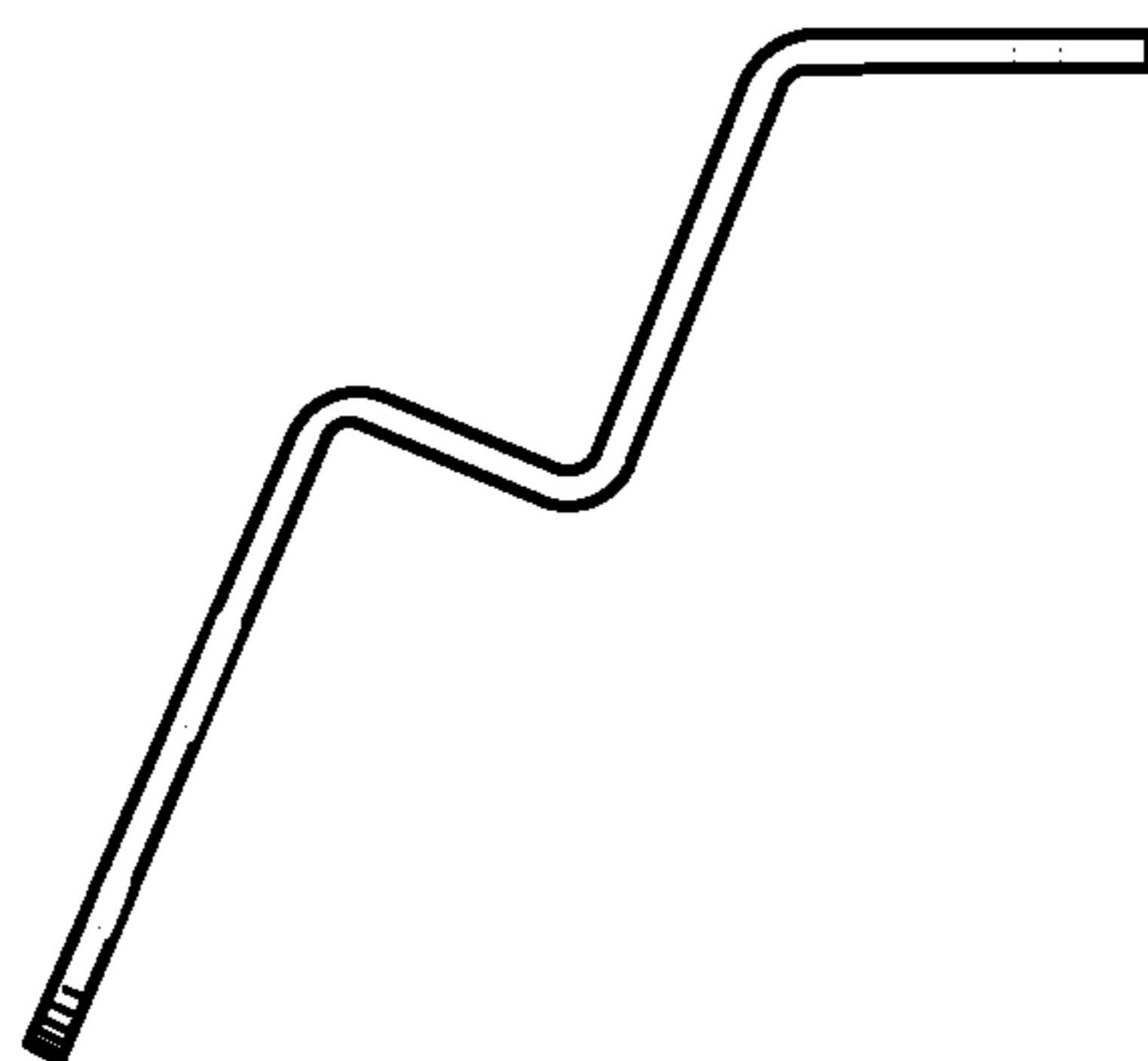


FIG. 4

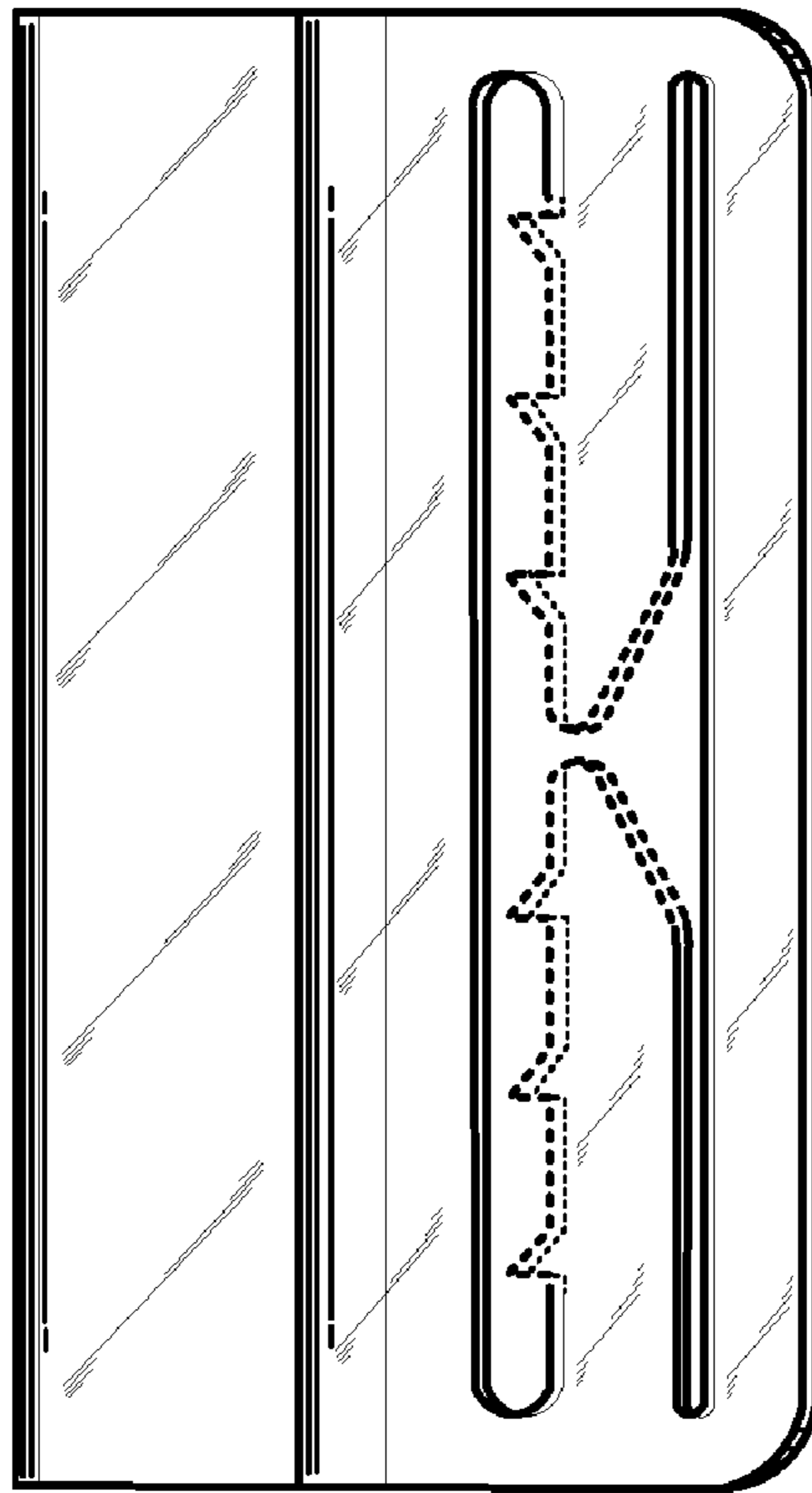


FIG. 5

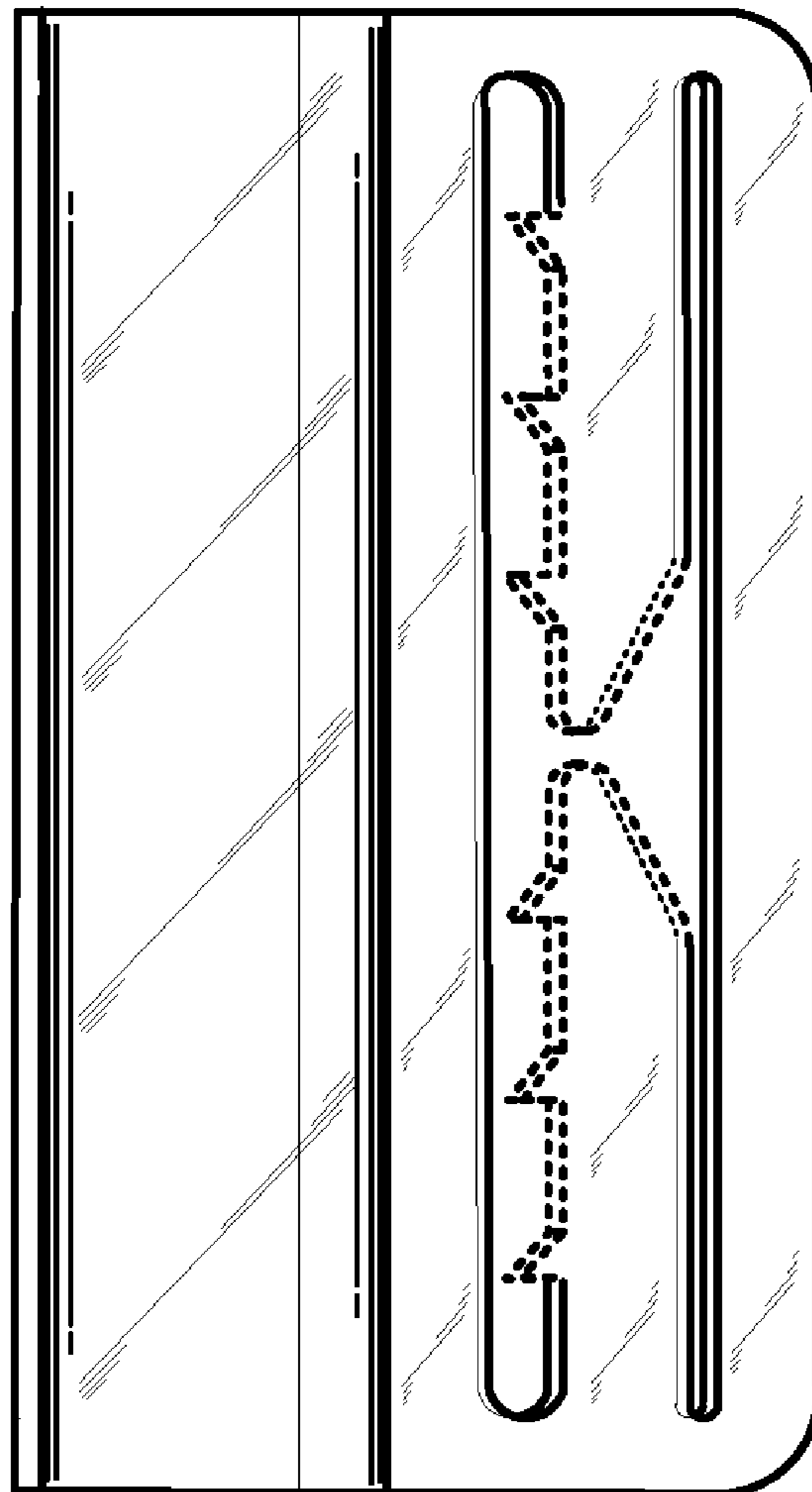


FIG. 6

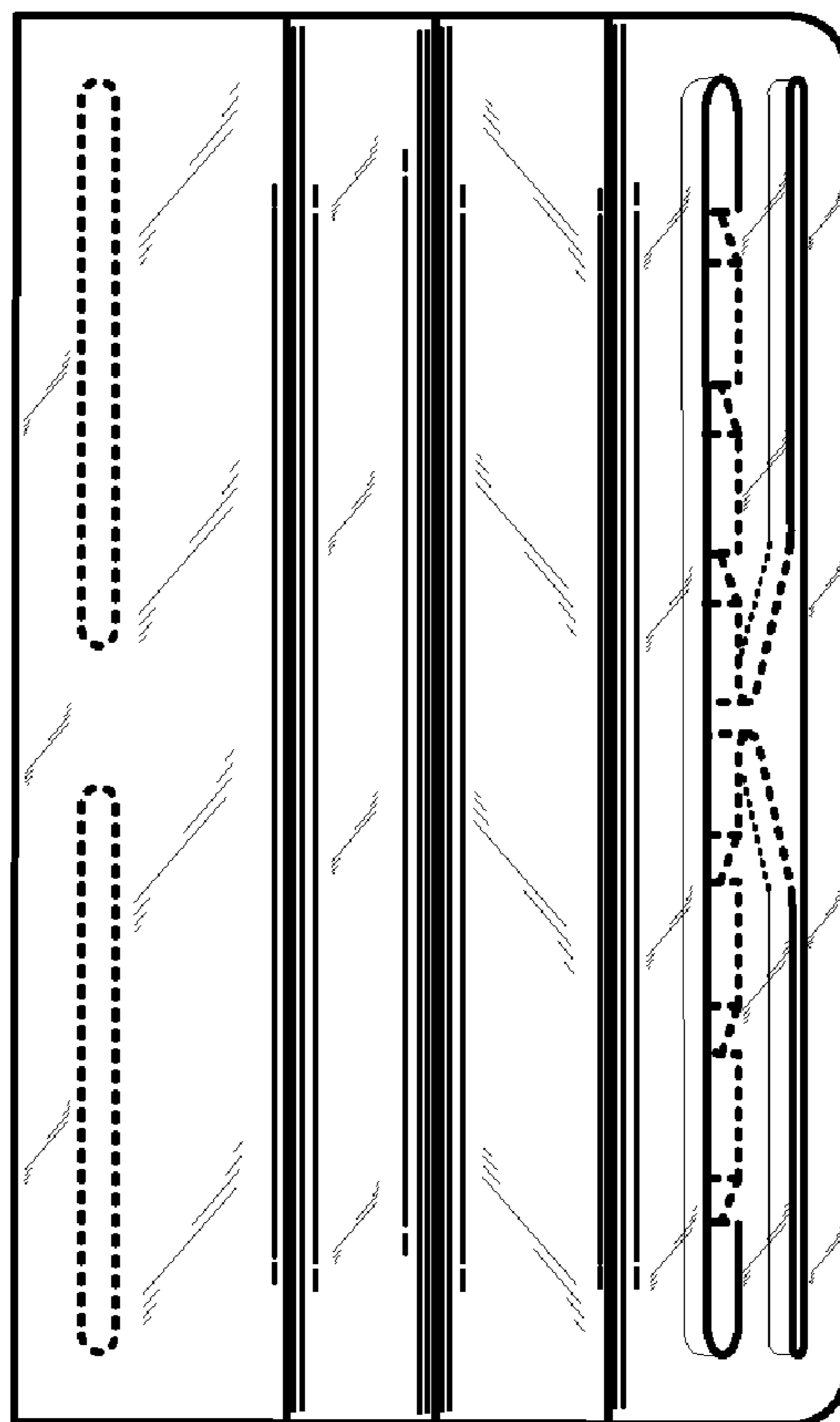


FIG. 7

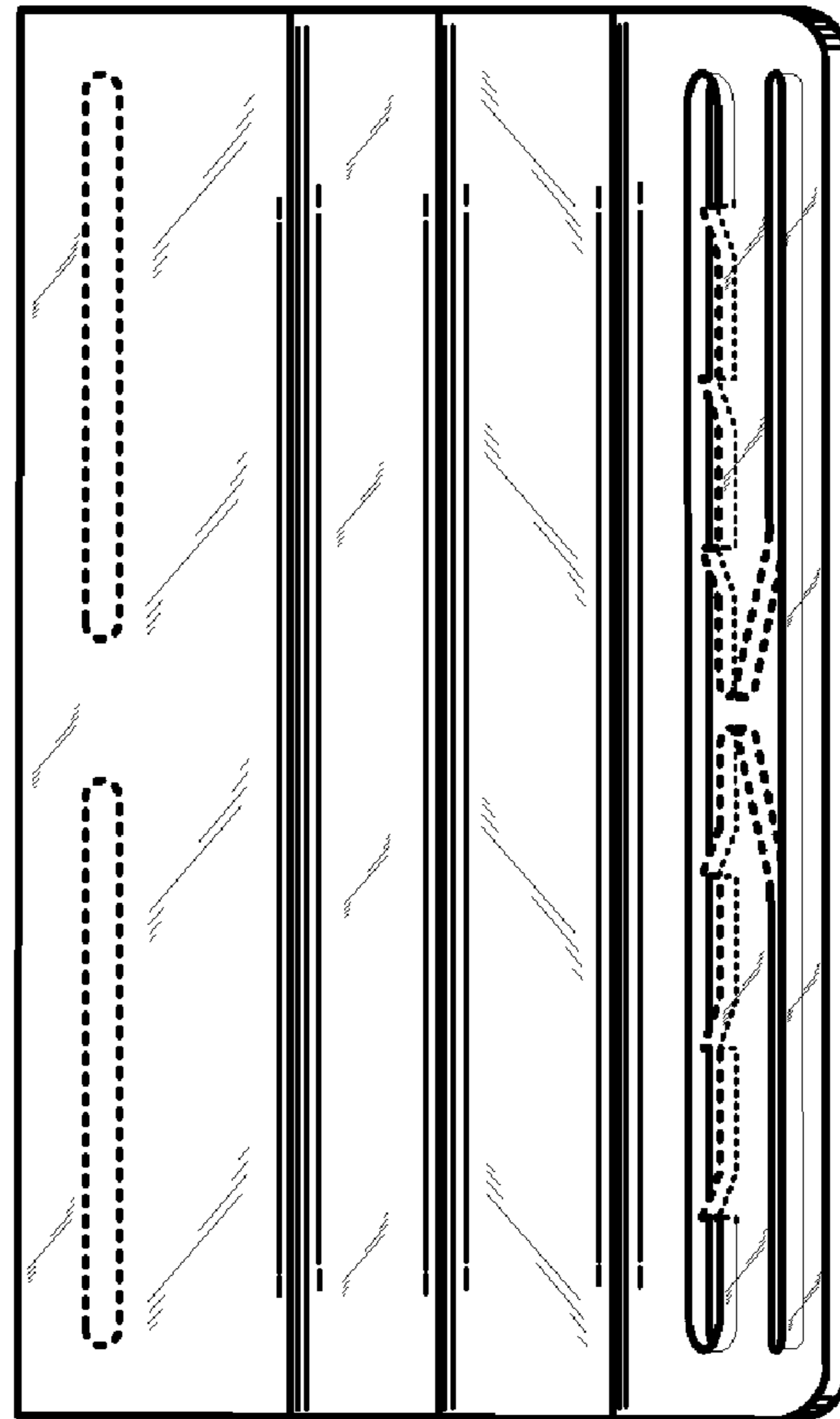


FIG. 8