



US00D625934S

(12) **United States Design Patent**
Smith

(10) **Patent No.:** **US D625,934 S**

(45) **Date of Patent:** **** Oct. 26, 2010**

(54) **PORTABLE AUTOMOBILE DESK**

(76) Inventor: **Dany G. Smith**, 2562 Sunnyvale Rd.,
Grand Prairie, TX (US) 75050

(**) Term: **14 Years**

(21) Appl. No.: **29/316,458**

(22) Filed: **Sep. 29, 2009**

Related U.S. Application Data

(62) Division of application No. 29/268,176, filed on Oct.
31, 2006, now Pat. No. Des. 603,182.

(51) **LOC (9) Cl.** **06-06**

(52) **U.S. Cl.** **D6/406.2**

(58) **Field of Classification Search** D6/406,
D6/406.1, 406.2, 451, 419, 482, 511, 407,
D6/420, 449, 486, 495; D12/415, 421-425,
D12/426.1; D19/92, 88, 84, 52, 35, 90, 91;
108/43, 44, 49, 106, 6, 108, 144, 150, 156,
108/97, 99, 47, 115; 297/144, 145, 188.04;
224/427, 276, 77, 281, 265, 311, 270; 211/88.01;
D7/550.01, 554.1, 554.3; 248/281.11, 279.1;
D8/380; D14/251, 452

See application file for complete search history.

(56) **References Cited**

U.S. PATENT DOCUMENTS

- D239,531 S 4/1976 Clowe
- 4,672,898 A * 6/1987 Davidson 108/6
- D306,383 S 3/1990 Strater
- D314,505 S 2/1991 Chen
- D321,351 S * 11/1991 Kirchner D14/251
- D323,752 S 2/1992 Montagner
- 5,279,488 A 1/1994 Fleming
- D356,902 S 4/1995 Crowell
- D363,492 S * 10/1995 Brusing D14/251

- D376,590 S * 12/1996 Kao et al. D14/452
- 5,673,628 A 10/1997 Boos
- D489,924 S 5/2004 Luong
- D603,182 S * 11/2009 Smith D6/406.2

OTHER PUBLICATIONS

JOTTODESK.COM brochure for OTR Truck.
Autoexec unit having work surface and storage for use in vehicle as
advertised at mobiledesk.com/autoexec.

* cited by examiner

Primary Examiner—Philip S Hyder

Assistant Examiner—Anna J Burmeister

(74) *Attorney, Agent, or Firm*—Law Office of William
Gustavson, PC

(57) **CLAIM**

The ornamental design for a portable automobile desk, as
shown and described.

DESCRIPTION

FIG. 1 is a perspective view of a portable automobile desk
embodying my design, shown in use;

FIG. 2 is a front elevational view thereof;

FIG. 3 is a rear elevational view thereof;

FIG. 4 is a left side elevational view thereof;

FIG. 5 is a right side elevational view thereof;

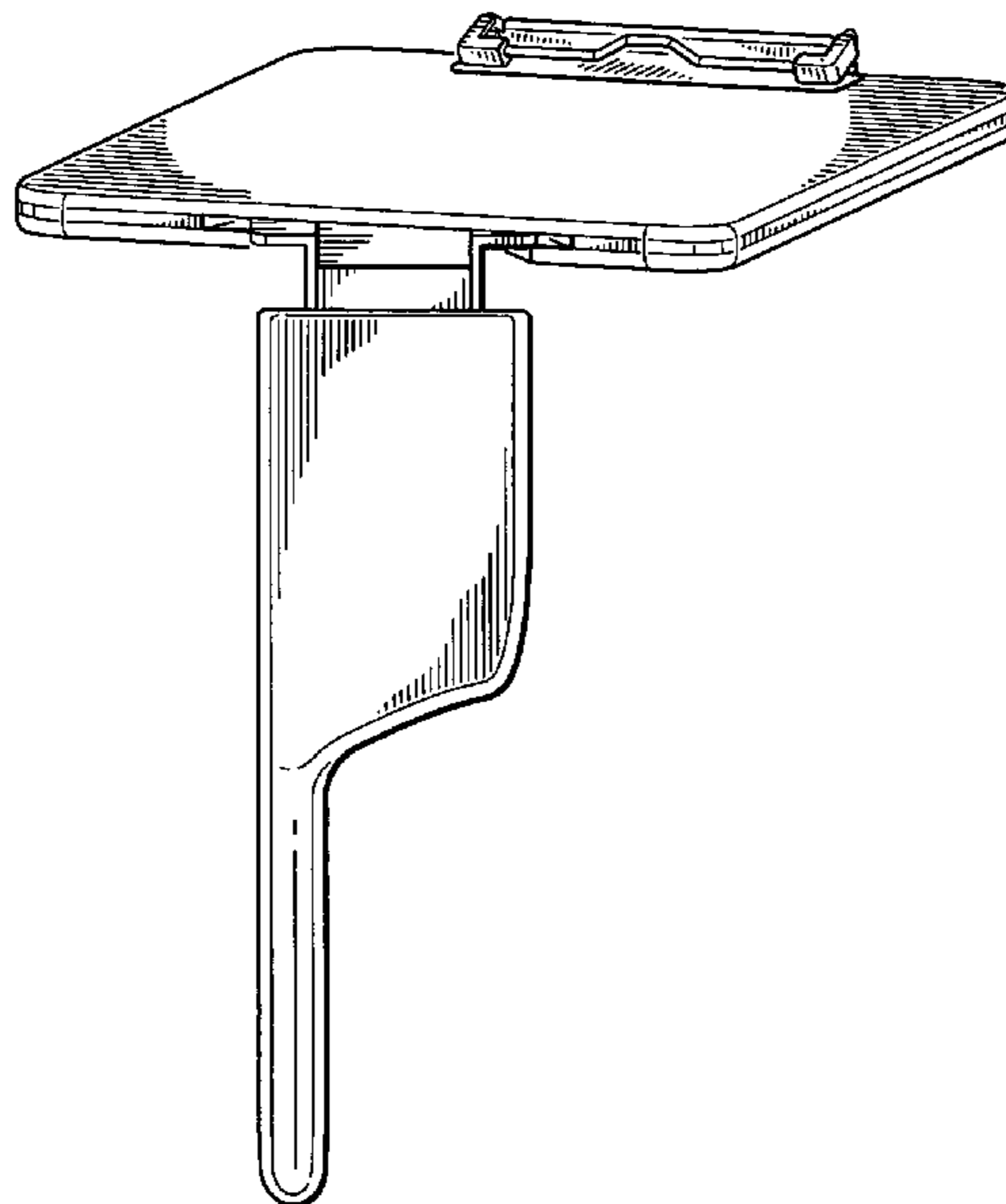
FIG. 6 is a top plan view thereof;

FIG. 7 is a bottom plan view thereof; and,

FIG. 8 is a perspective view thereof, shown in the opened
condition.

The broken lines surrounding the article in FIG. 1 of the
drawings are for environmental structure only and form no
part of the claimed design.

1 Claim, 6 Drawing Sheets



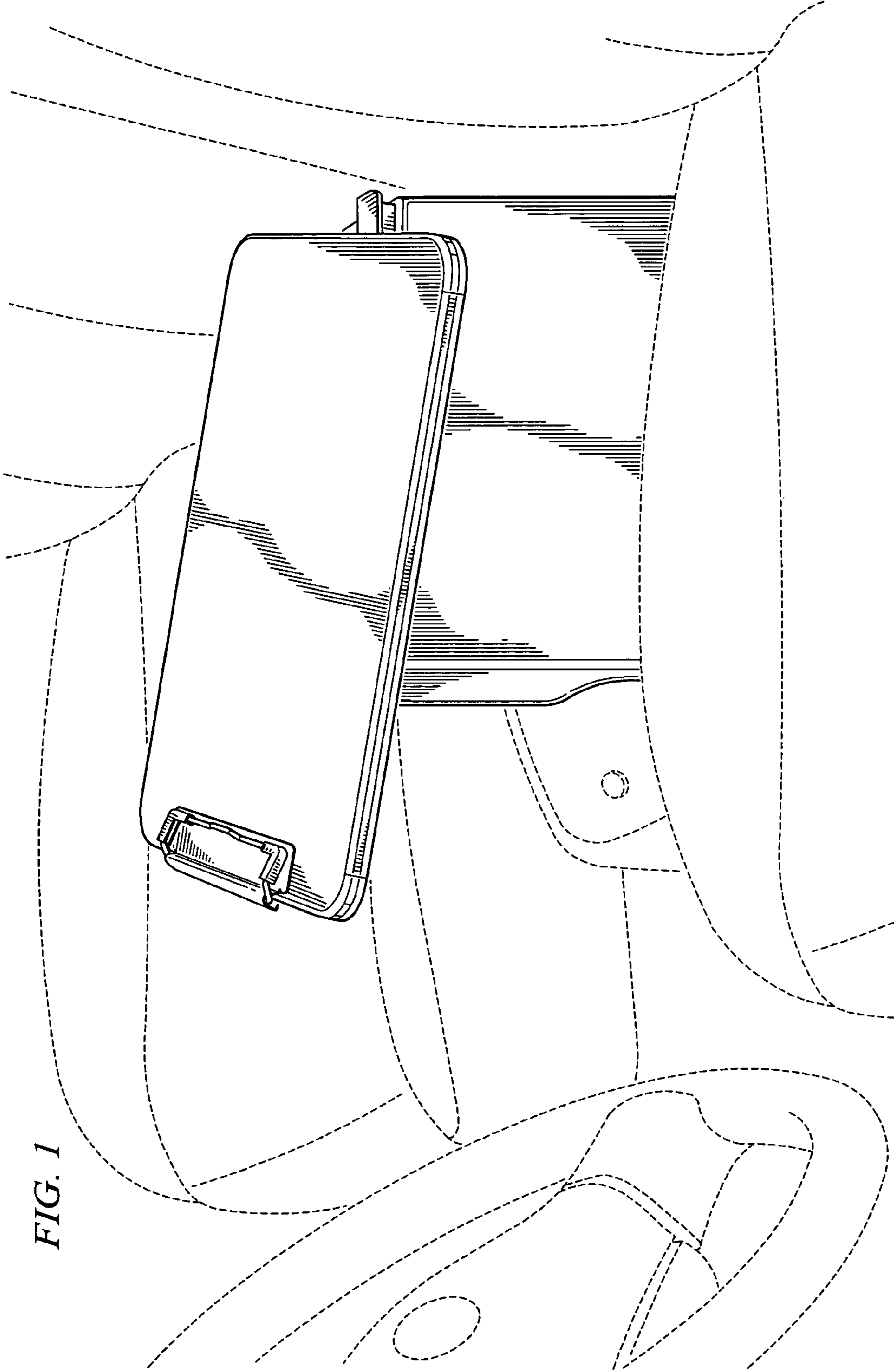


FIG. 1

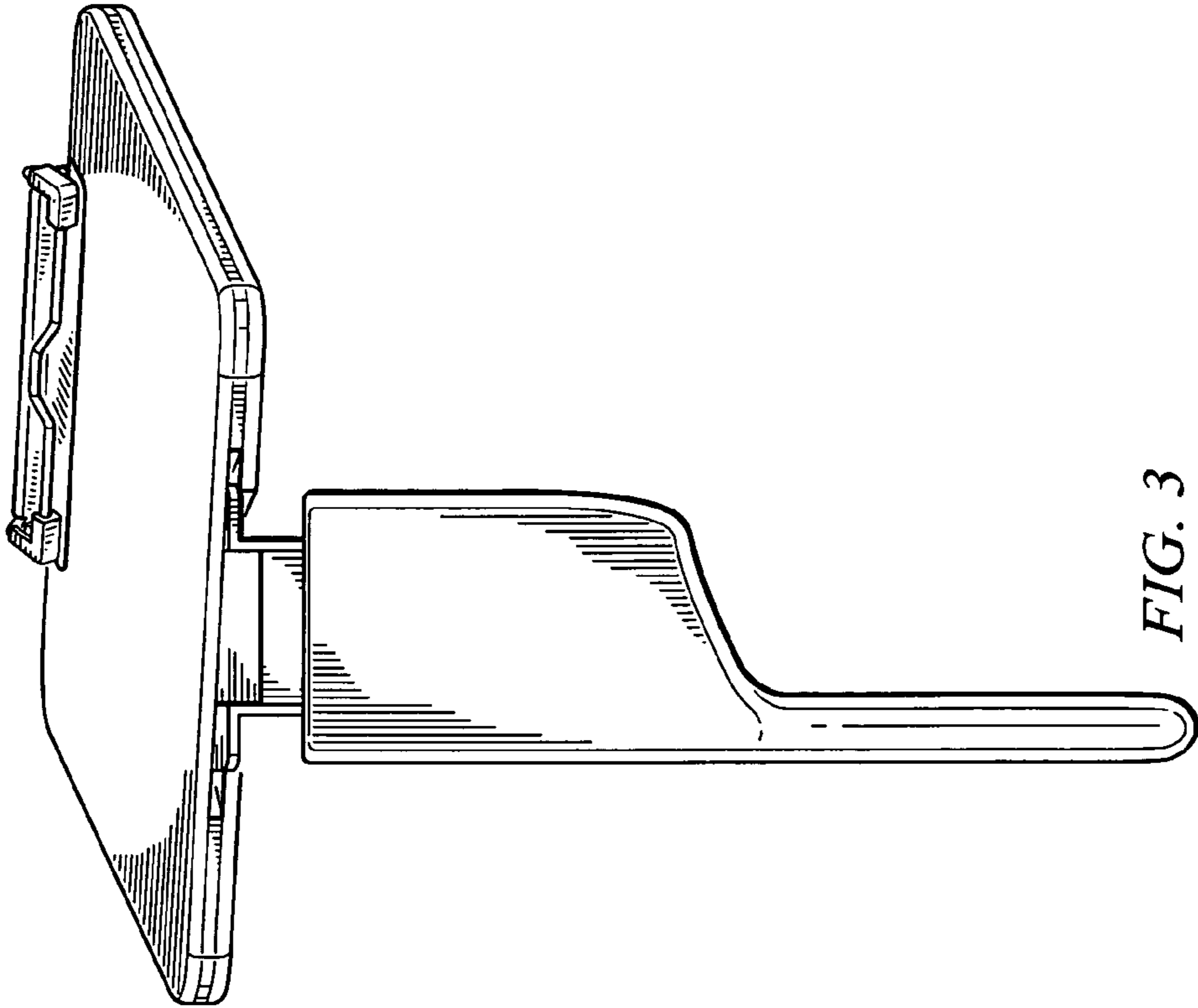


FIG. 3

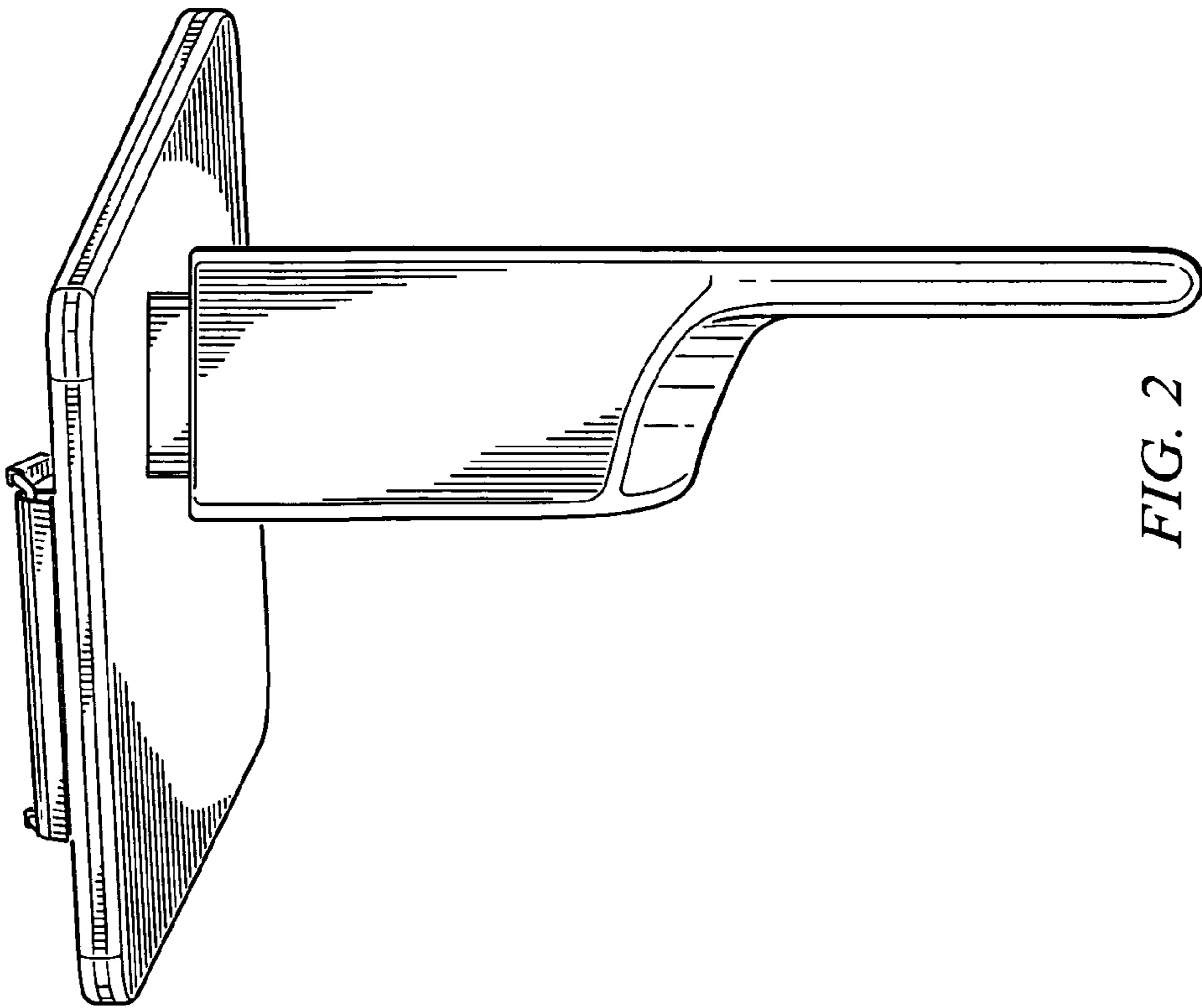


FIG. 2

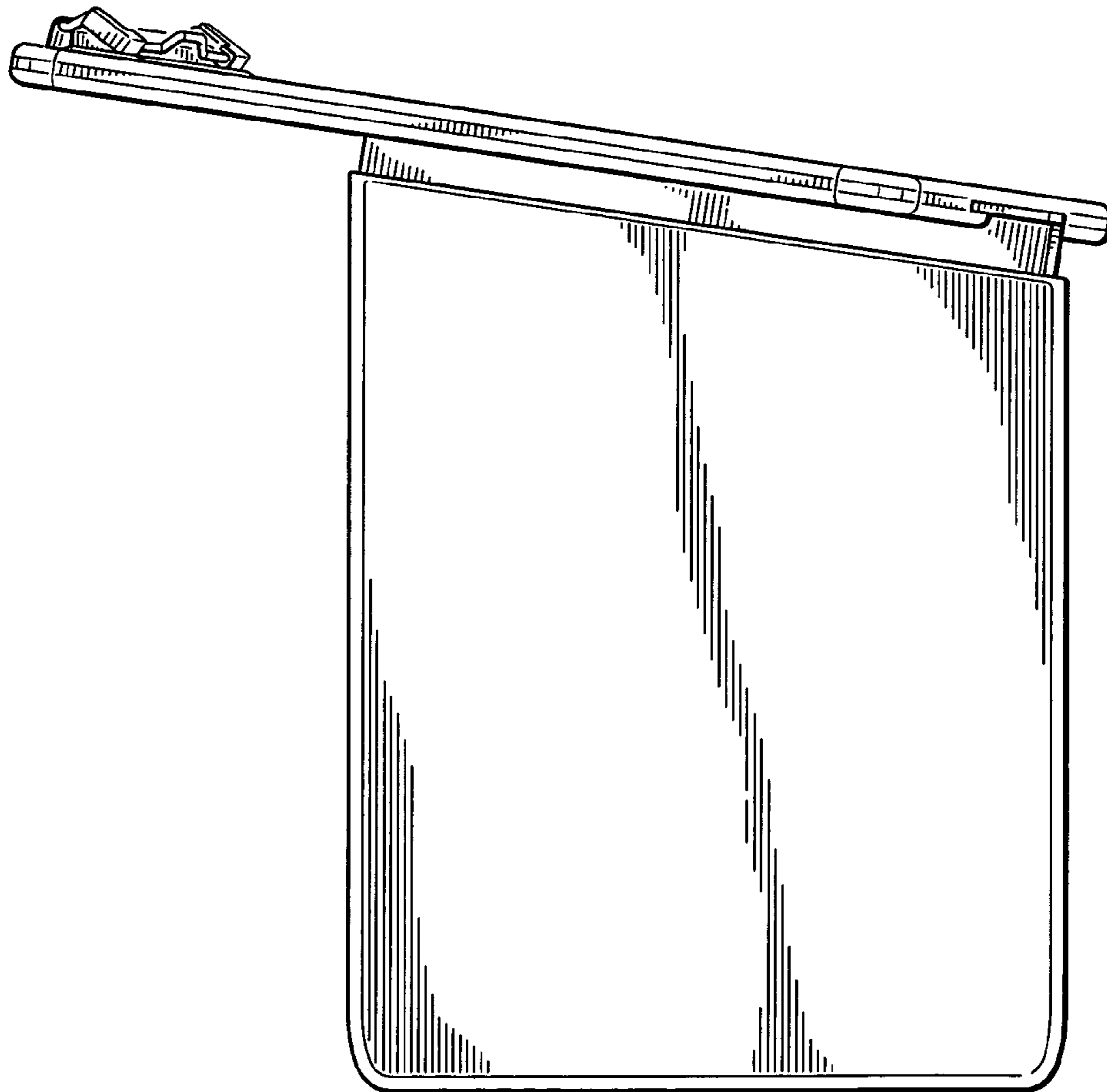


FIG. 4

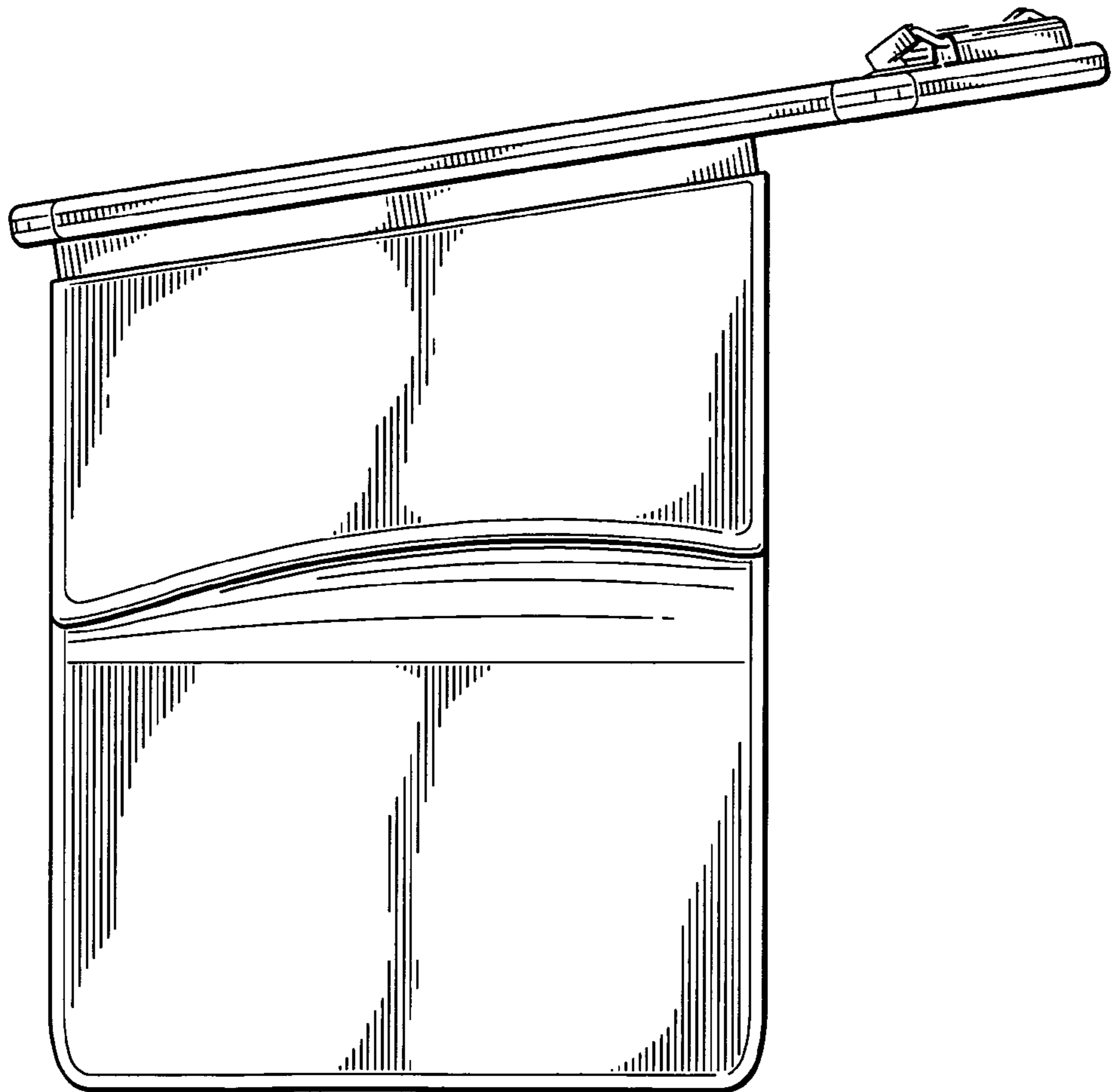


FIG. 5

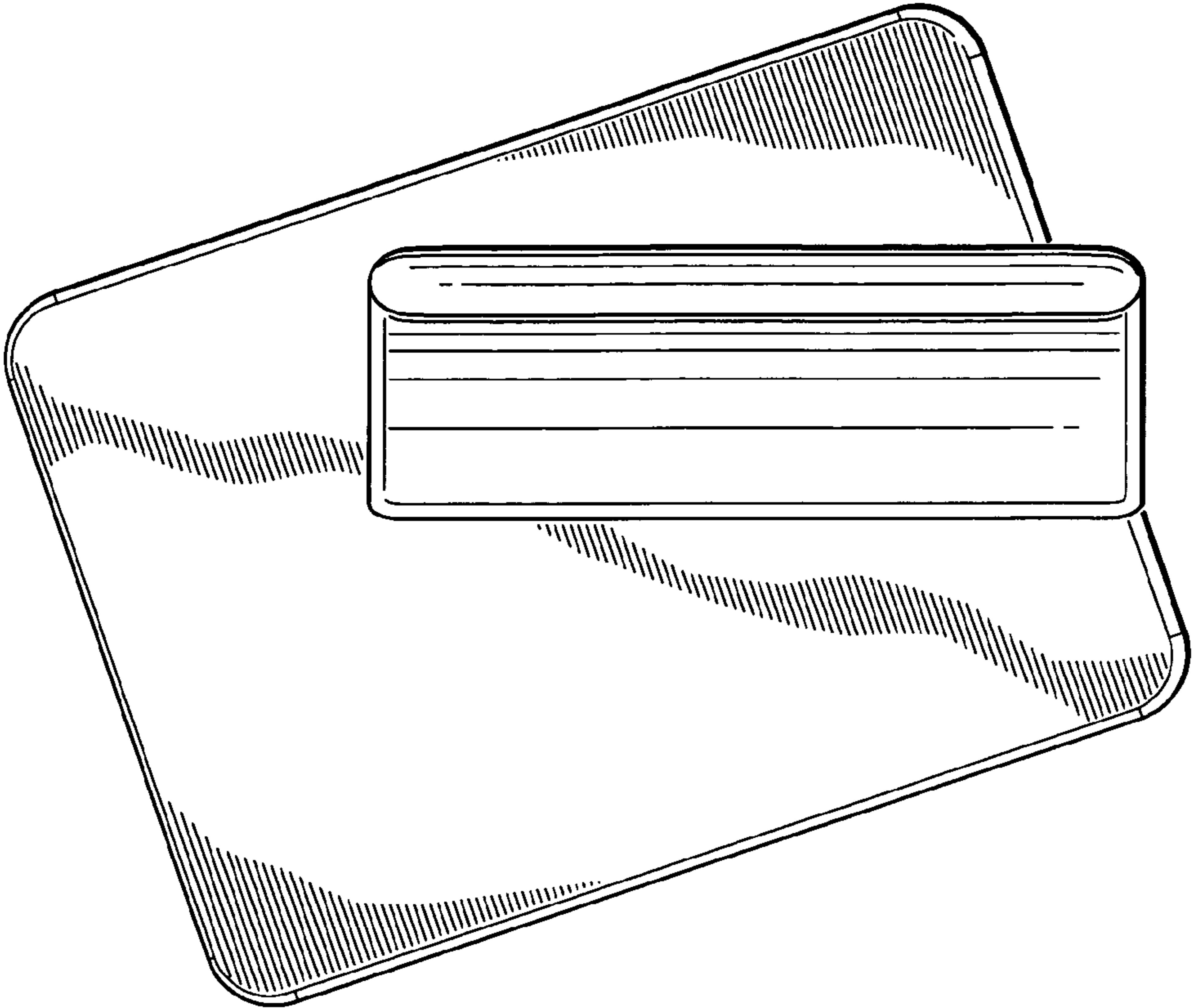


FIG. 7

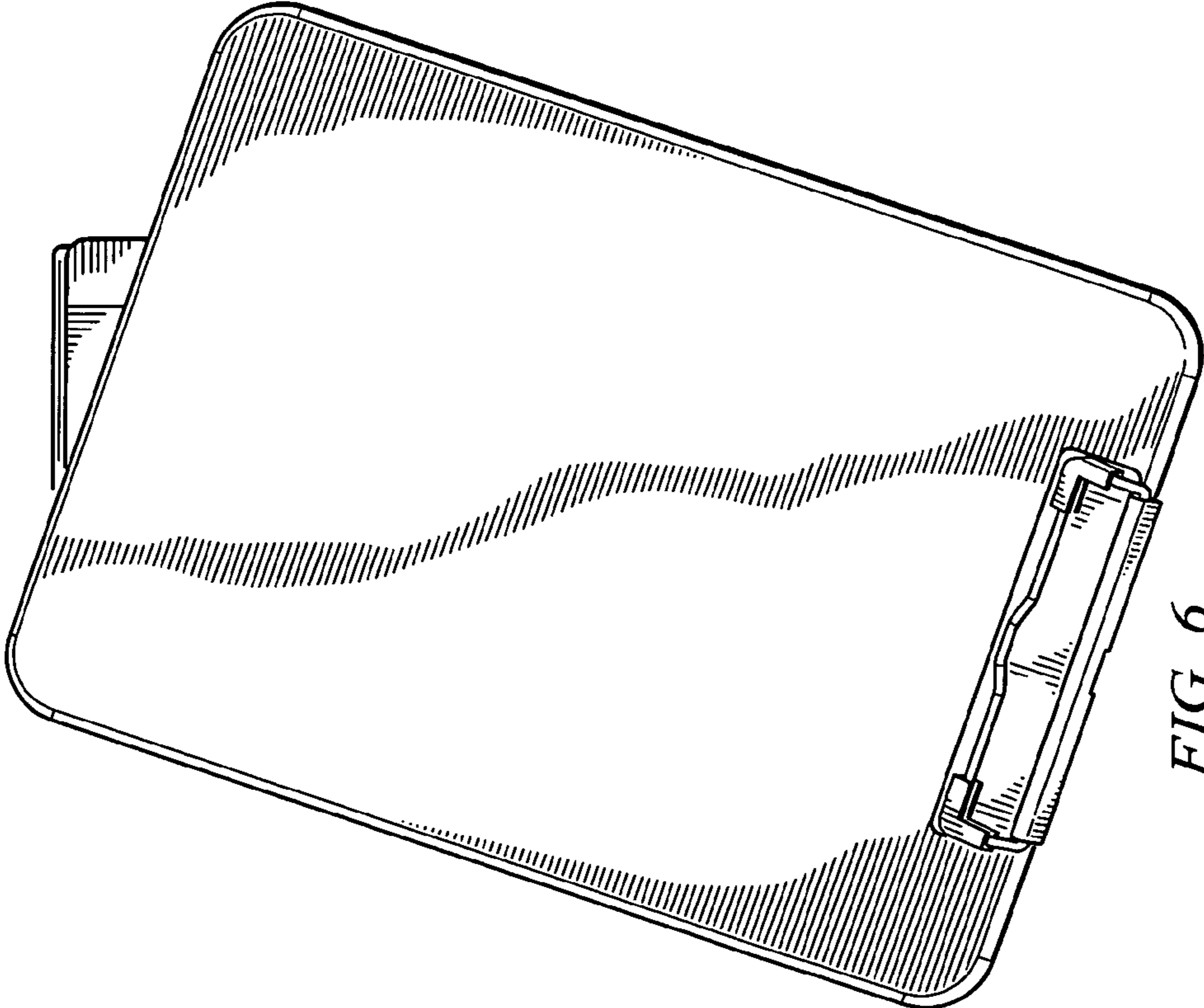


FIG. 6

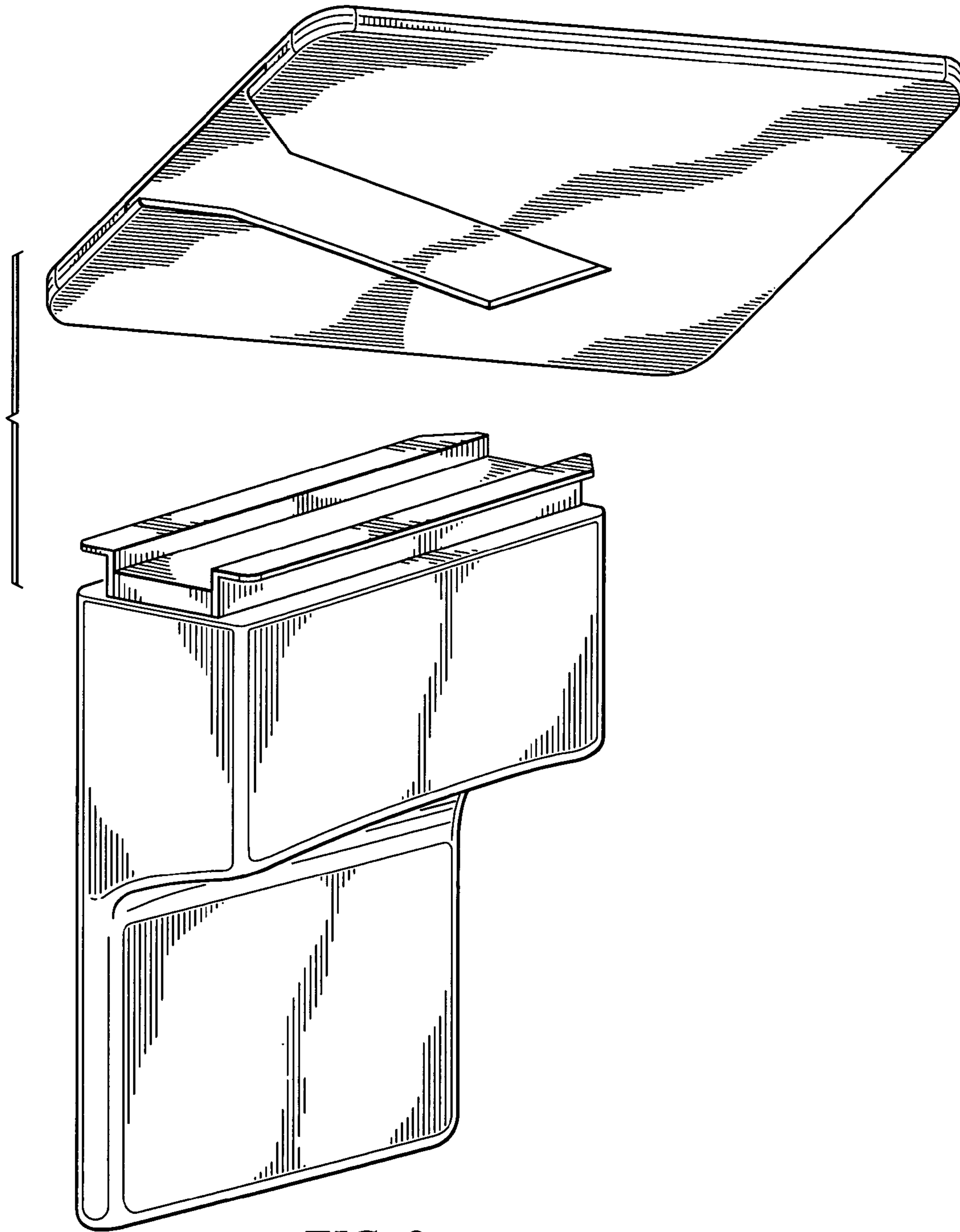


FIG. 8

UNITED STATES PATENT AND TRADEMARK OFFICE
CERTIFICATE OF CORRECTION

PATENT NO. : D625,934 S
APPLICATION NO. : 29/316458
DATED : October 26, 2010
INVENTOR(S) : Dany G. Smith


Page 1 of 8

It is certified that error appears in the above-identified patent and that said Letters Patent is hereby corrected as shown below:

Delete Title Page, and replace with new Title Page. (attached)

Substitute the attached Figures 1-8 for Figures 1-8 issued in the patent.

Signed and Sealed this
Fourth Day of January, 2011

A handwritten signature in black ink that reads "David J. Kappos". The signature is written in a cursive, slightly slanted style.

David J. Kappos
Director of the United States Patent and Trademark Office

(12) **United States Design Patent**
Smith

(10) **Patent No.:** **US D625,934 S**
(45) **Date of Patent:** **** Oct. 26, 2010**

(54) **PORTABLE AUTOMOBILE DESK**

D376,590 S * 12/1996 Kao et al. D14/452
5,673,628 A 10/1997 Boos
D489,924 S 5/2004 Luong
D603,182 S * 11/2009 Smith D6/406.2

(76) Inventor: **Dany G. Smith**, 2562 Sunnyvale Rd.,
Grand Prairie, TX (US) 75050

(**) Term: **14 Years**

(21) Appl. No.: **29/316,458**

(22) Filed: **Sep. 29, 2009**

Related U.S. Application Data

(62) Division of application No. 29/268,176, filed on Oct. 31, 2006, now Pat. No. Des. 603,182.

(51) **LOC (9) Cl.** **06-06**

(52) **U.S. Cl.** **D6/406.2**

(58) **Field of Classification Search** D6/406,
D6/406.1, 406.2, 451, 419, 482, 511, 407,
D6/420, 449, 486, 495; D12/415, 421-425,
D12/426.1; D19/92, 88, 84, 52, 35, 90, 91;
108/43, 44, 49, 106, 6, 108, 144, 150, 156,
108/97, 99, 47, 115; 297/144, 145, 188.04;
224/427, 276, 77, 281, 265, 311, 270; 211/88.01;
D7/550.01, 554.1, 554.3; 248/281.11, 279.1;
D8/380; D14/251, 452

See application file for complete search history.

(56) **References Cited**

U.S. PATENT DOCUMENTS

D239,531 S 4/1976 Clowe
4,672,898 A * 6/1987 Davidson 108/6
D306,383 S 3/1990 Strater
D314,505 S 2/1991 Chen
D321,351 S * 11/1991 Kirchner D14/251
D323,752 S 2/1992 Montagner
5,279,488 A 1/1994 Fleming
D356,902 S 4/1995 Crowell
D363,492 S * 10/1995 Brussing D14/251

OTHER PUBLICATIONS

JOTTODESK.COM brochure for OTR Truck.
Autoexec unit having work surface and storage for use in vehicle as
advertised at mobiledesk.com/autoexec.

* cited by examiner

Primary Examiner—Philip S Hyder
Assistant Examiner—Anna J Burmeister
(74) *Attorney, Agent, or Firm*—Law Office of William
Gustavson, PC

(57) **CLAIM**

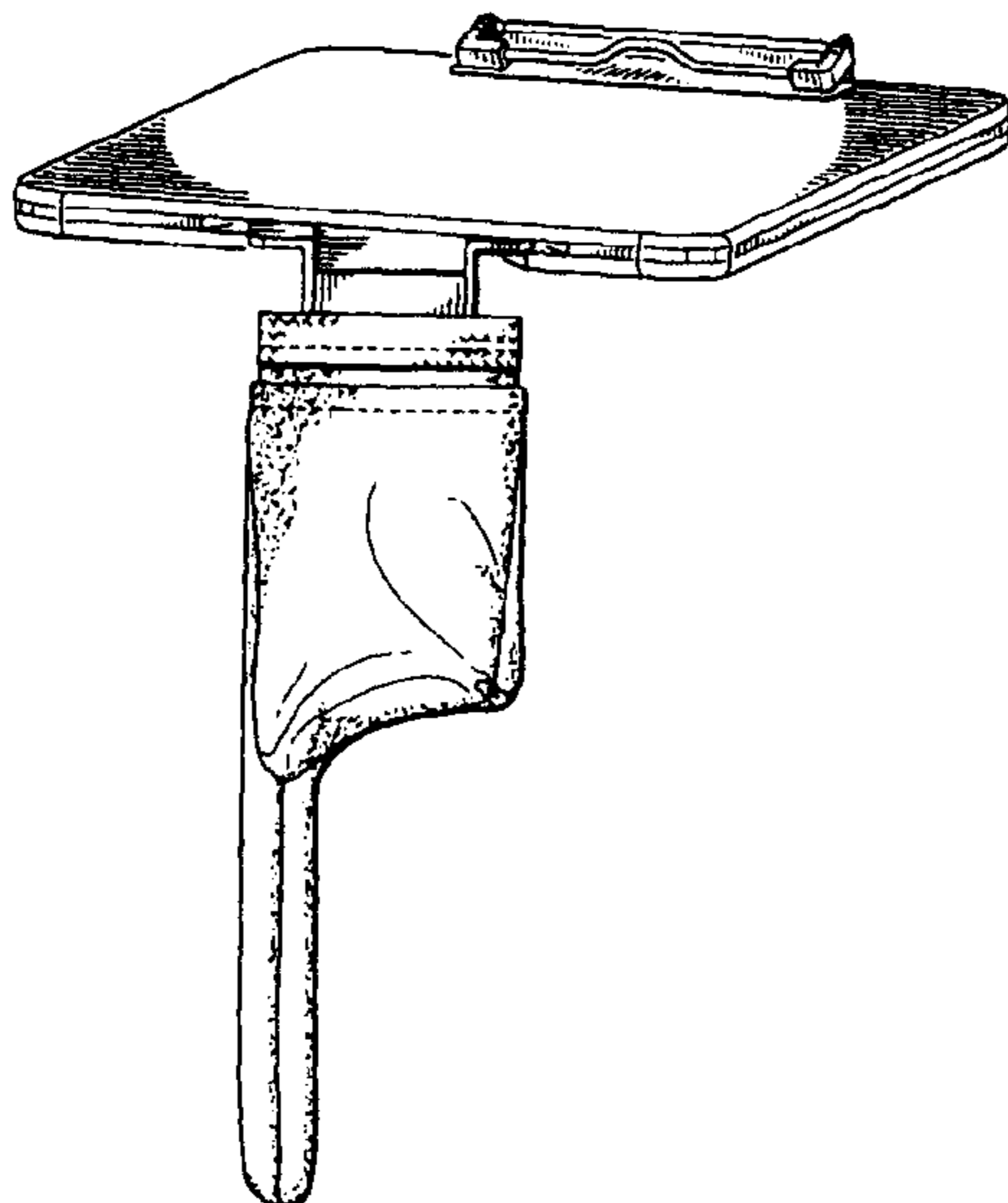
The ornamental design for a portable automobile desk, as
shown and described.

DESCRIPTION

FIG. 1 is a perspective view of a portable automobile desk
embodying my design, shown in use;
FIG. 2 is a front elevational view thereof;
FIG. 3 is a rear elevational view thereof;
FIG. 4 is a left side elevational view thereof;
FIG. 5 is a right side elevational view thereof;
FIG. 6 is a top plan view thereof;
FIG. 7 is a bottom plan view thereof; and,
FIG. 8 is a perspective view thereof, shown in the opened
condition.

The broken lines surrounding the article in FIG. 1 of the
drawings are for environmental structure only and form no
part of the claimed design.

1 Claim, 6 Drawing Sheets



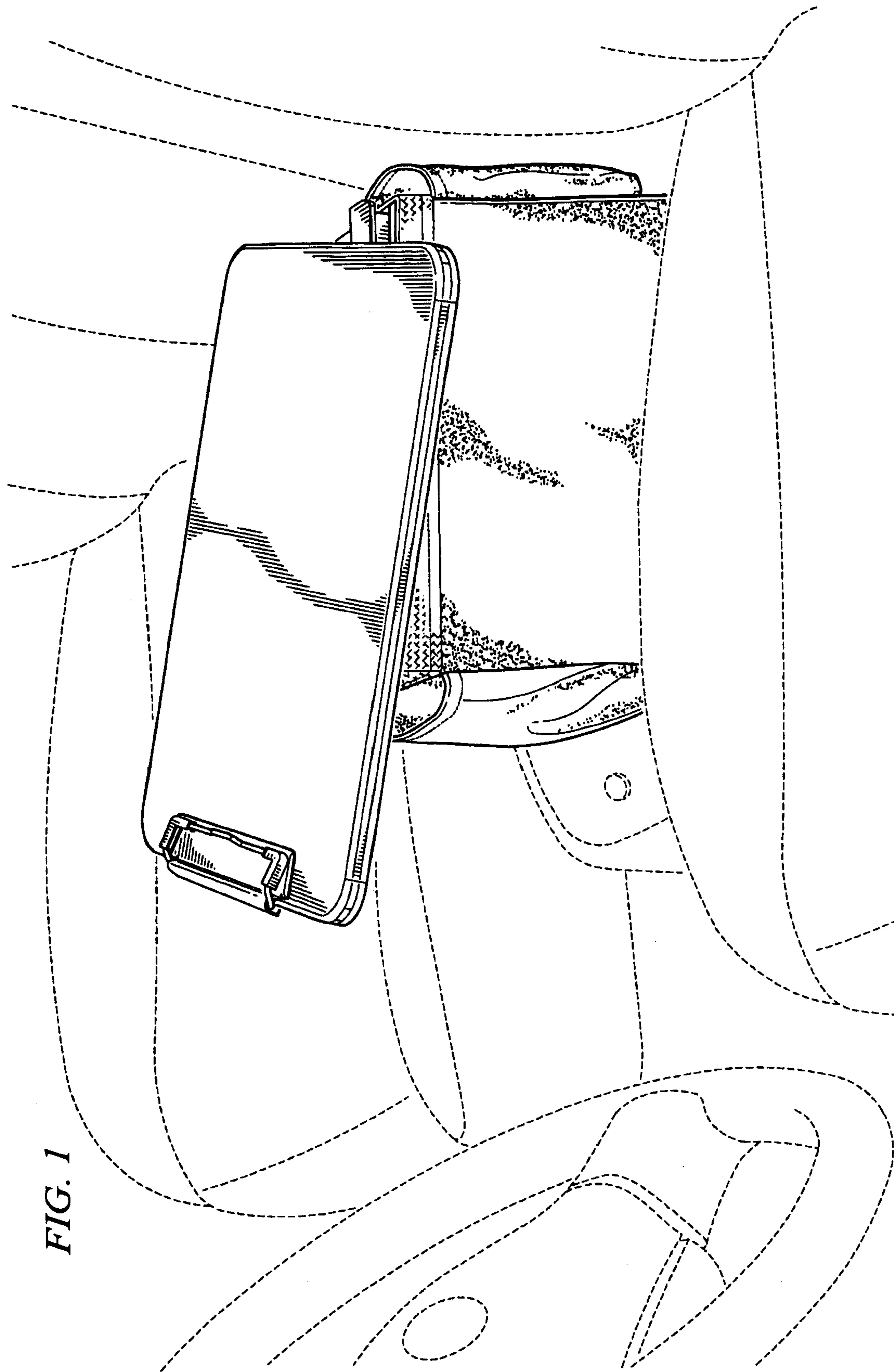


FIG. 1

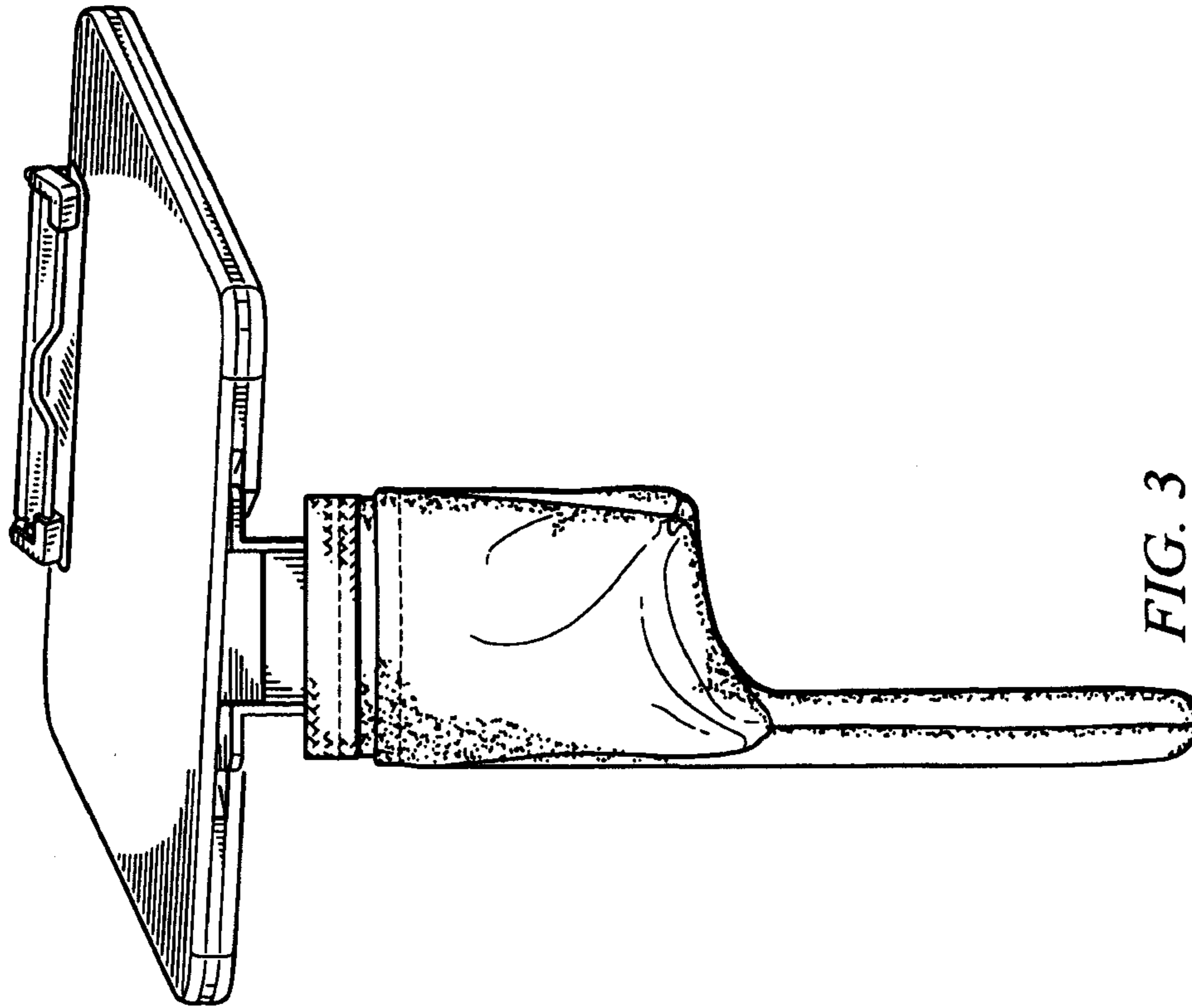


FIG. 3

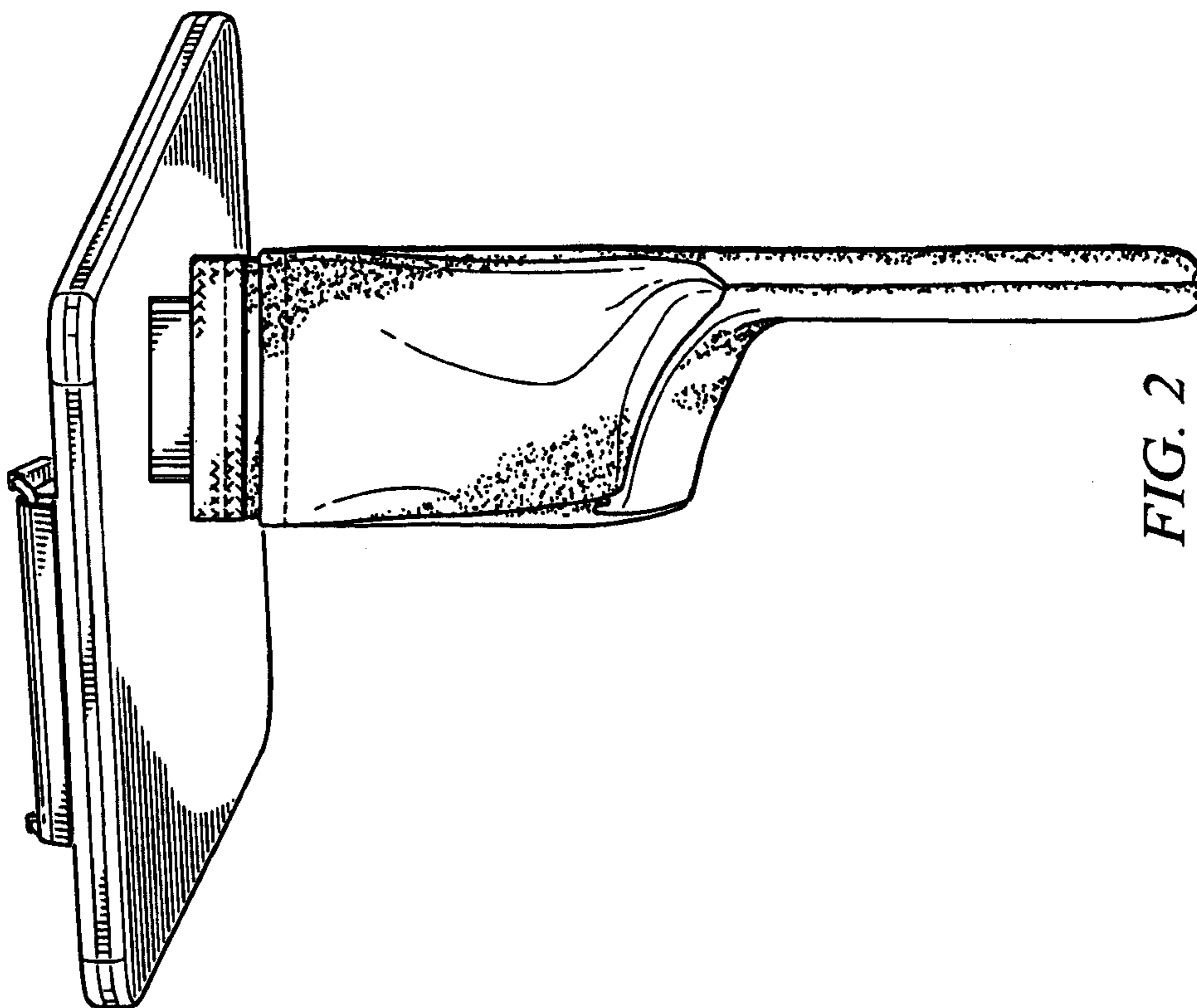


FIG. 2

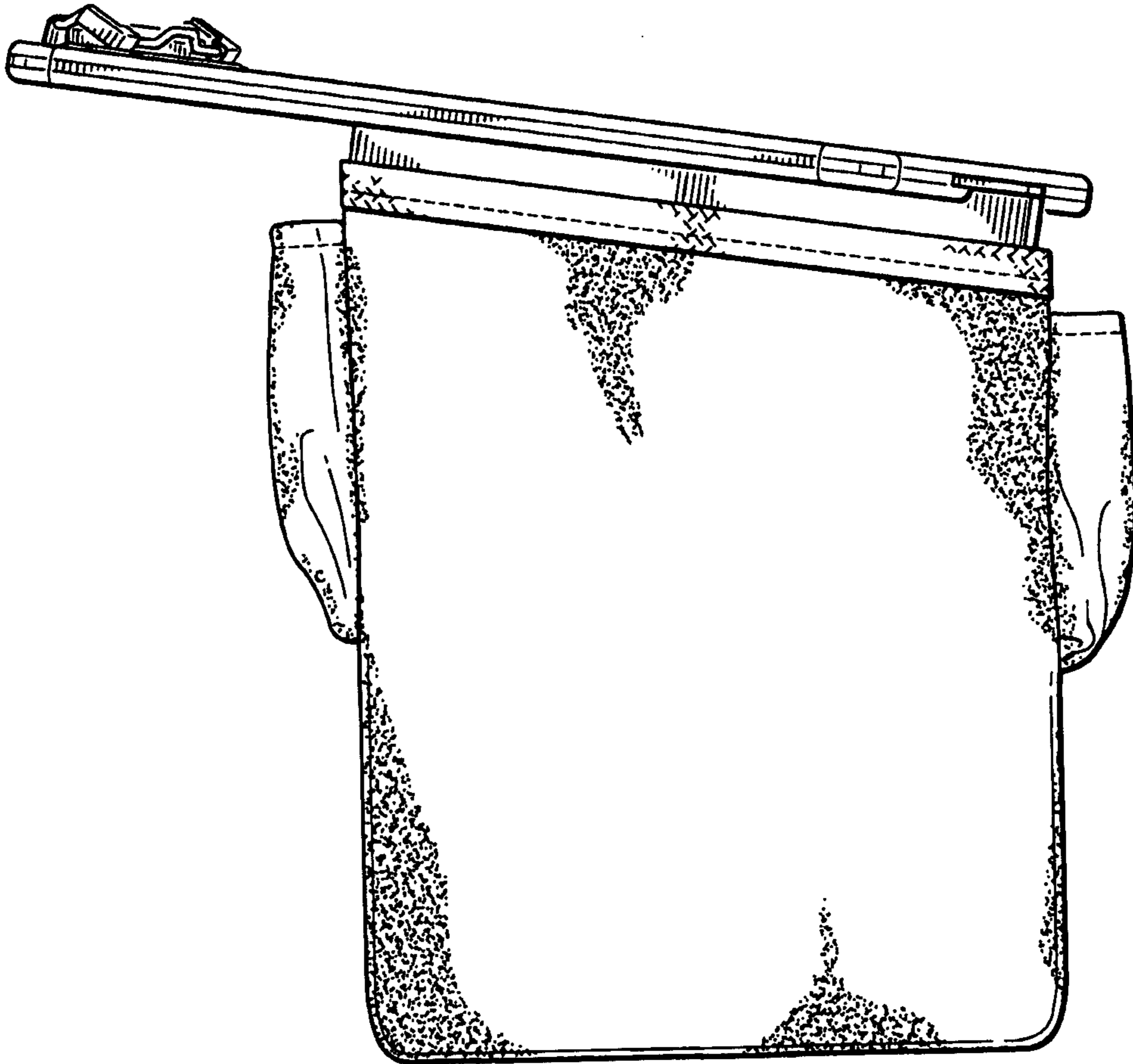


FIG. 4

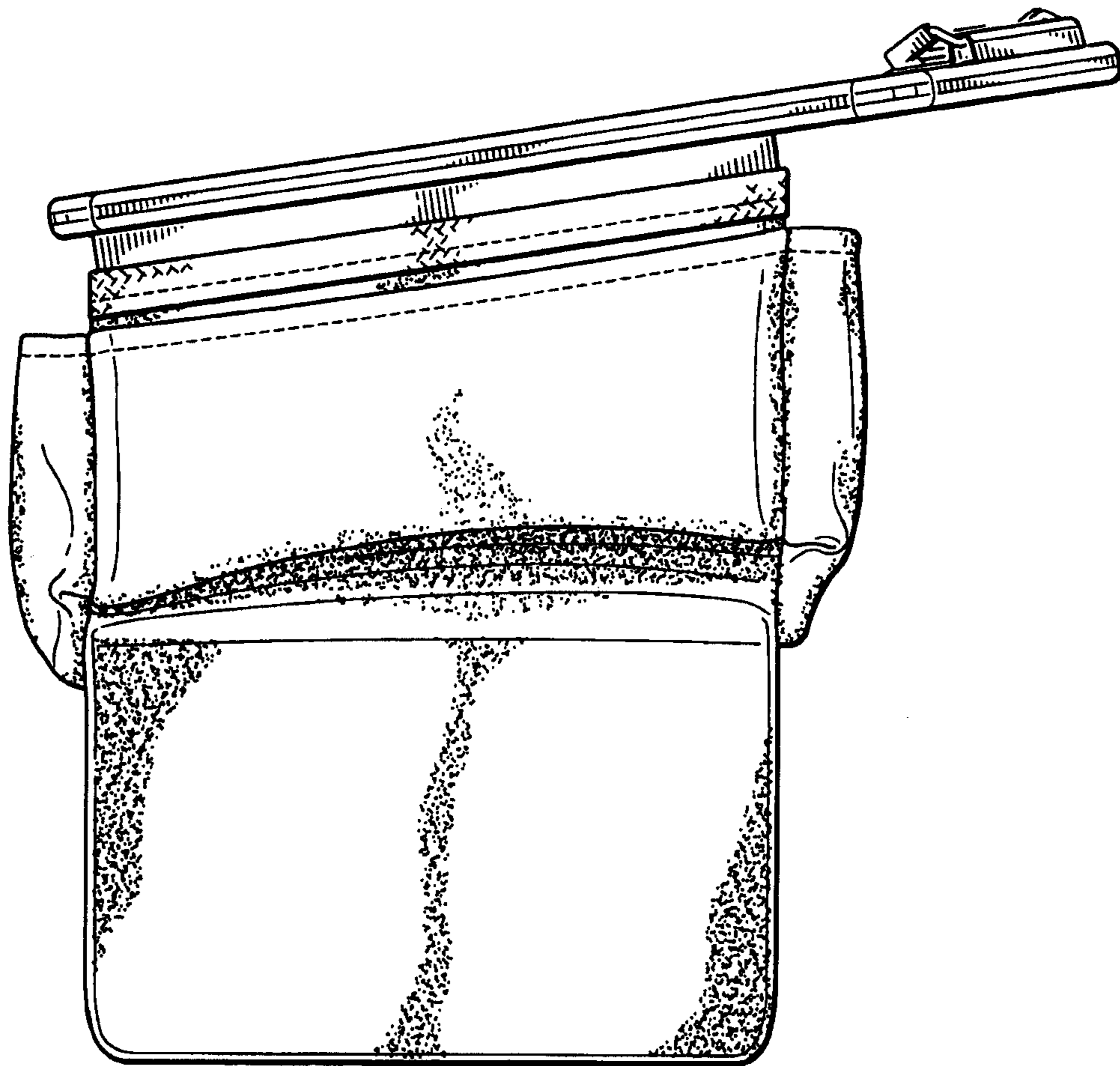


FIG. 5

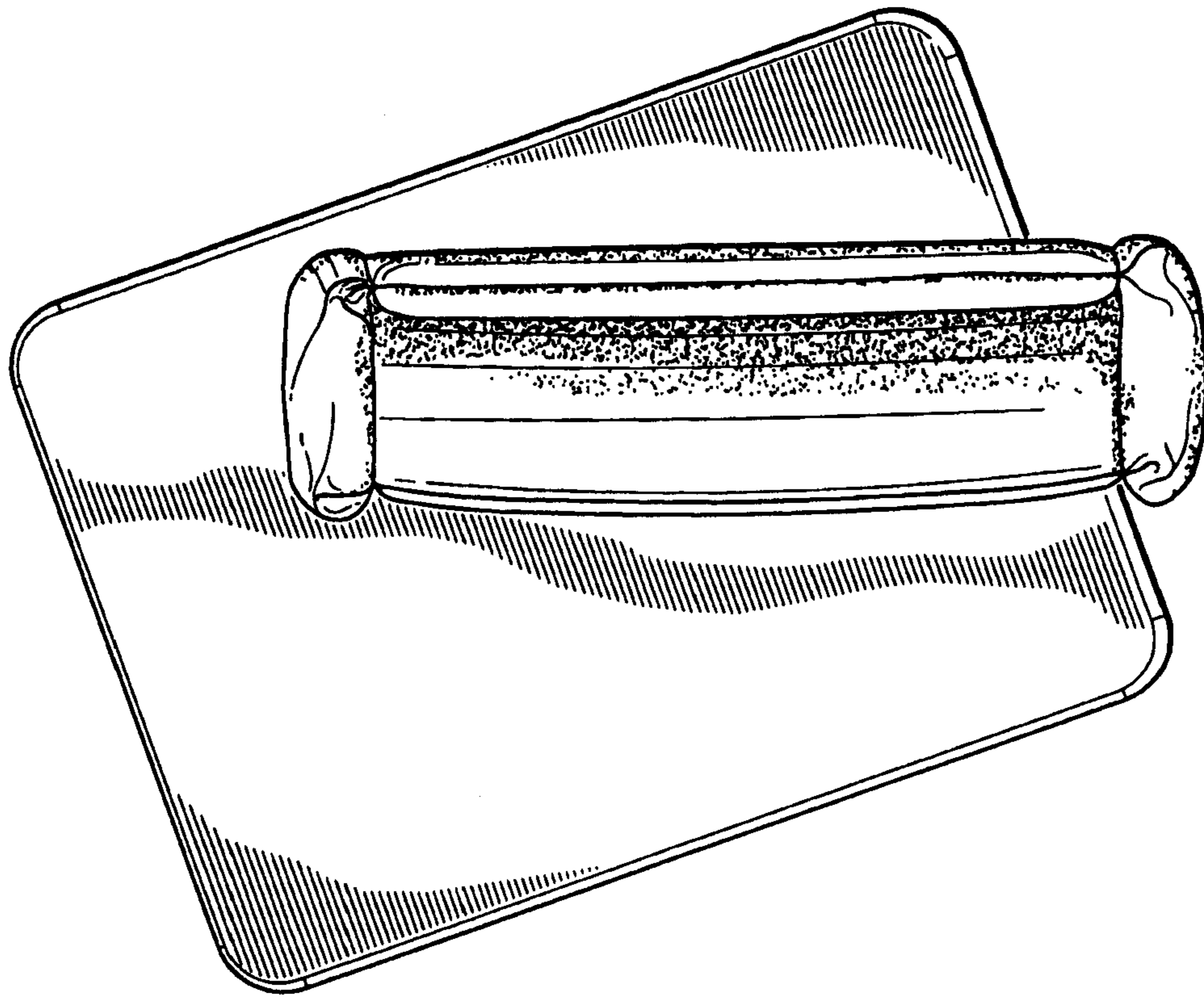


FIG. 7

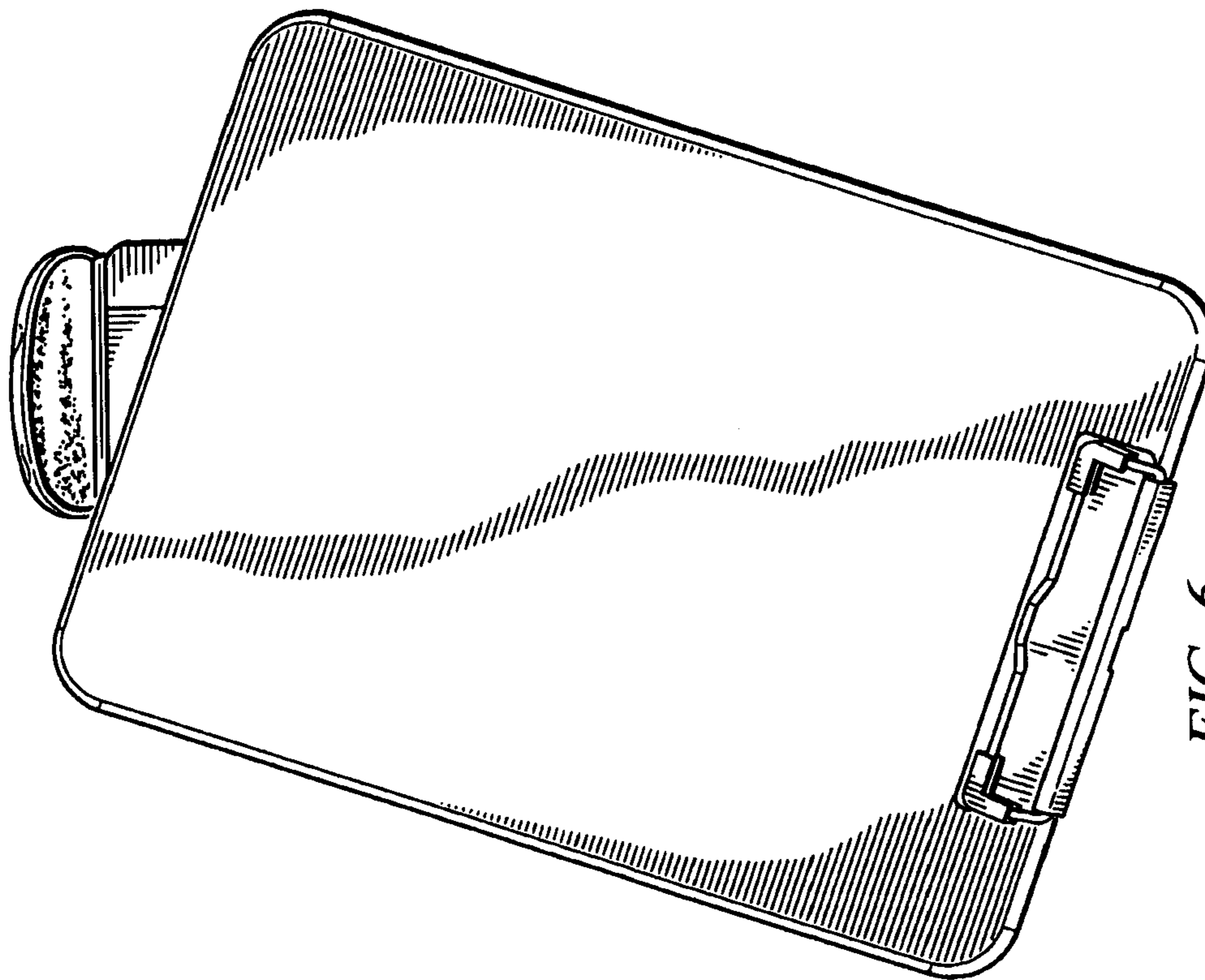


FIG. 6

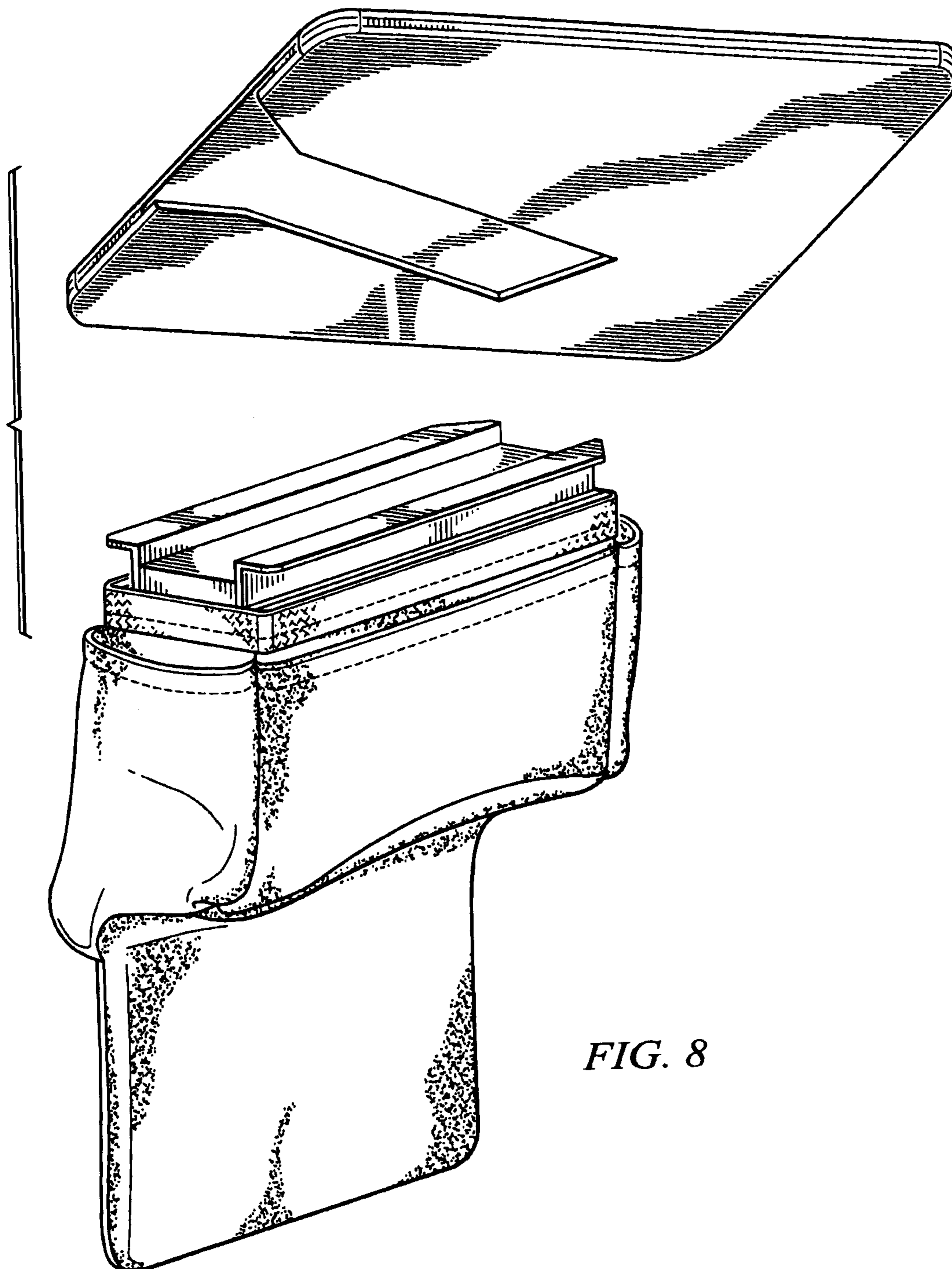


FIG. 8