



US00D625930S

(12) **United States Design Patent**
Merica

(10) **Patent No.:** **US D625,930 S**
(45) **Date of Patent:** **** Oct. 26, 2010**

(54) **FOLDING MIRROR**

D243,478 S 2/1977 Jones D6/309
4,119,107 A 10/1978 Pinzone et al. 132/79

(75) Inventor: **Tami Merica**, Carrollton, TX (US)

(Continued)

(73) Assignee: **Mary Kay Inc.**, Dallas, TX (US)

FOREIGN PATENT DOCUMENTS

(**) Term: **14 Years**

JP D1239778 5/2005

(21) Appl. No.: **29/249,096**

(Continued)

(22) Filed: **Sep. 20, 2006**

OTHER PUBLICATIONS

(51) **LOC (9) Cl.** **06-07**

“Search Report for New Design Patent Application,” issued in ROC (Taiwan) New Design Patent Application No. 095306262, dated Aug. 29, 2007.

(52) **U.S. Cl.** **D6/312**

(58) **Field of Classification Search** D6/300–314;
40/725, 700, 711, 714–716, 720, 735, 739,
40/765, 790, 798; 359/879, 838, 871; D28/78,
D28/64.3; 248/466, 469, 472; 132/304,
132/296

(Continued)

See application file for complete search history.

Primary Examiner—Philip S Hyder
Assistant Examiner—Sydney R Buffalow
(74) *Attorney, Agent, or Firm*—Fulbright & Jaworski L.L.P.

(56) **References Cited**

(57) **CLAIM**

U.S. PATENT DOCUMENTS

The ornamental design for a folding mirror, as shown and described.

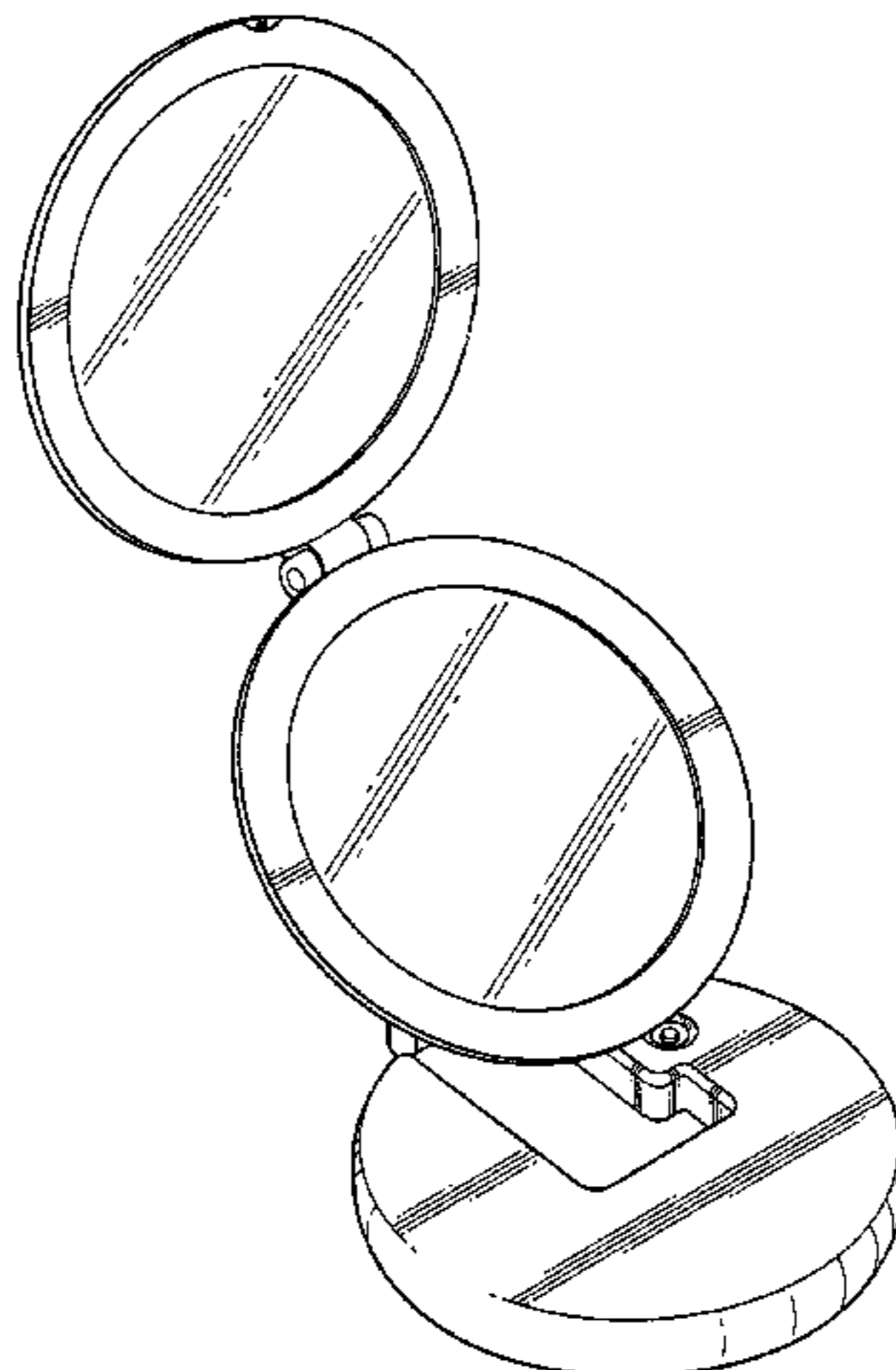
433,708 A	8/1890	Wiederer	
1,106,315 A	8/1914	Payne	
1,507,117 A *	9/1924	Johnson	132/304
1,541,451 A	6/1925	Wallace	
1,583,120 A	5/1926	Brenner	
1,626,842 A	5/1927	Kendall	
1,804,563 A	5/1931	Kline	
2,220,038 A *	10/1940	Kreisler et al.	40/725
2,255,312 A	9/1941	Dawson	132/83
2,275,304 A	3/1942	Maurud	88/89
2,503,163 A	4/1950	Maddox	132/83
2,770,387 A	11/1956	Loween	220/18
2,821,620 A	1/1958	Pavenick	240/4.2
3,300,632 A	1/1967	Kinn	240/6.45
3,498,578 A	3/1970	Nakazawa	248/472
3,527,527 A	9/1970	Manowitz	350/295
3,591,792 A	7/1971	Soltan	240/4.2
3,598,987 A	8/1971	Kipping	240/6.45
D225,585 S	12/1972	Stahl	D86/10
3,714,411 A	1/1973	Waters et al.	240/6.45
3,776,245 A	12/1973	Hayes et al.	132/83
3,781,093 A	12/1973	Grabijas	350/288
3,949,767 A	4/1976	Rose	132/83

DESCRIPTION

FIG. 1 is a top front perspective view of my design in an open position;
FIG. 2 is a bottom back perspective view of my design;
FIG. 3 is a top view of my design;
FIG. 4 is a bottom view of my design;
FIG. 5 is a right side view of my design;
FIG. 6 is a left side view of my design;
FIG. 7 is a front view of my design; and,
FIG. 8 is a back view of my design.

The dashed lines are environmental structure forming no part of the claimed design. All other surface(s) or portion(s) of the embodiments of my design not shown in the figures or otherwise described in the specification form no part of the claimed design.

1 Claim, 6 Drawing Sheets



US D625,930 S

Page 2

U.S. PATENT DOCUMENTS

4,146,308 A 3/1979 Cohen 350/306
 4,208,105 A 6/1980 Hadwiger 350/306
 4,241,383 A 12/1980 Shea 362/135
 D264,387 S 5/1982 Boyd D28/67
 4,331,168 A 5/1982 Hatakeyama 132/79 G
 D266,028 S 8/1982 Boyd D28/82
 4,397,526 A 8/1983 Van Deursen 350/310
 D270,578 S 9/1983 Washington, Jr. D28/78
 D270,579 S 9/1983 Numbers et al. D28/78
 D276,470 S 11/1984 Lo D28/643
 D278,558 S 4/1985 Shenken et al. D6/309
 D282,014 S 12/1985 Boyd D6/309
 4,603,944 A 8/1986 Greenlaw et al. 350/252
 4,639,102 A 1/1987 Fetko et al. 350/626
 4,707,087 A 11/1987 Van Zandt 350/638
 D298,087 S 10/1988 Arce D6/300
 D309,833 S 8/1990 Wahl D6/300
 D333,533 S 2/1993 Lee D28/64.1
 5,357,377 A 10/1994 Payne et al. 359/855
 5,386,322 A 1/1995 Parsons 359/872
 5,392,162 A 2/1995 Glucksman 359/872
 5,428,484 A 6/1995 Baker 359/872
 D383,314 S * 9/1997 Morgan D6/309
 D403,868 S 1/1999 Smal D6/308
 D409,003 S * 5/1999 Scavini D6/312
 5,926,328 A 7/1999 Fabian 359/840
 5,997,149 A 12/1999 Chu 362/142
 D424,751 S 5/2000 Kudo et al. D28/78
 D425,313 S * 5/2000 Zadro D6/309
 6,095,334 A 8/2000 Belveal et al. 206/581
 D431,375 S 10/2000 Zadro D6/312
 D432,267 S 10/2000 Wardlaw D28/78
 6,138,686 A 10/2000 Yuhara 132/294
 6,206,530 B1 3/2001 Eberts 359/879
 D442,371 S 5/2001 Eberts D6/312
 6,223,754 B1 5/2001 Burdi et al. 132/300

6,305,809 B1 10/2001 Zadro 359/840
 D454,701 S 3/2002 Eric D6/308
 D462,181 S 9/2002 Vandebussche D6/310
 D462,843 S 9/2002 Chan D6/310
 D470,665 S 2/2003 Harris et al. D6/312
 6,533,433 B1 3/2003 Stark et al. 362/142
 6,554,001 B1 4/2003 Godshaw 132/312
 D481,493 S 10/2003 Chen D28/73
 D483,575 S 12/2003 Chan D6/310
 D484,278 S 12/2003 Prince et al. D28/64.1
 D485,015 S 1/2004 Chue D28/64.1
 D485,630 S 1/2004 Chue D26/38
 6,682,198 B2 1/2004 Mangano 359/840
 D486,964 S 2/2004 Prince et al. D6/310
 D491,373 S 6/2004 Mangano D6/309
 6,769,648 B2 8/2004 Klima 244/138 R
 6,772,899 B2 8/2004 Delmon 220/263
 6,854,852 B1 2/2005 Zadro 359/840
 D505,557 S 5/2005 Ng D6/300
 D506,319 S 6/2005 Chan D6/310
 D512,841 S 12/2005 Dirks D6/300
 D517,244 S 3/2006 Ditrichstein et al. D28/78
 D524,469 S 7/2006 Pitot et al. D26/37
 D549,968 S * 9/2007 Pitot et al. D6/312
 2002/0126496 A1 9/2002 Okano et al. 362/492
 2004/0020509 A1 2/2004 Waisman 132/316
 2004/0173498 A1 9/2004 Lee 206/581

FOREIGN PATENT DOCUMENTS

TW 128467 2/1990
 TW 482443 4/2002

OTHER PUBLICATIONS

Zadro Ultimate Make-Up Mirror packaging, Zadro Products, Inc., 2004.

* cited by examiner

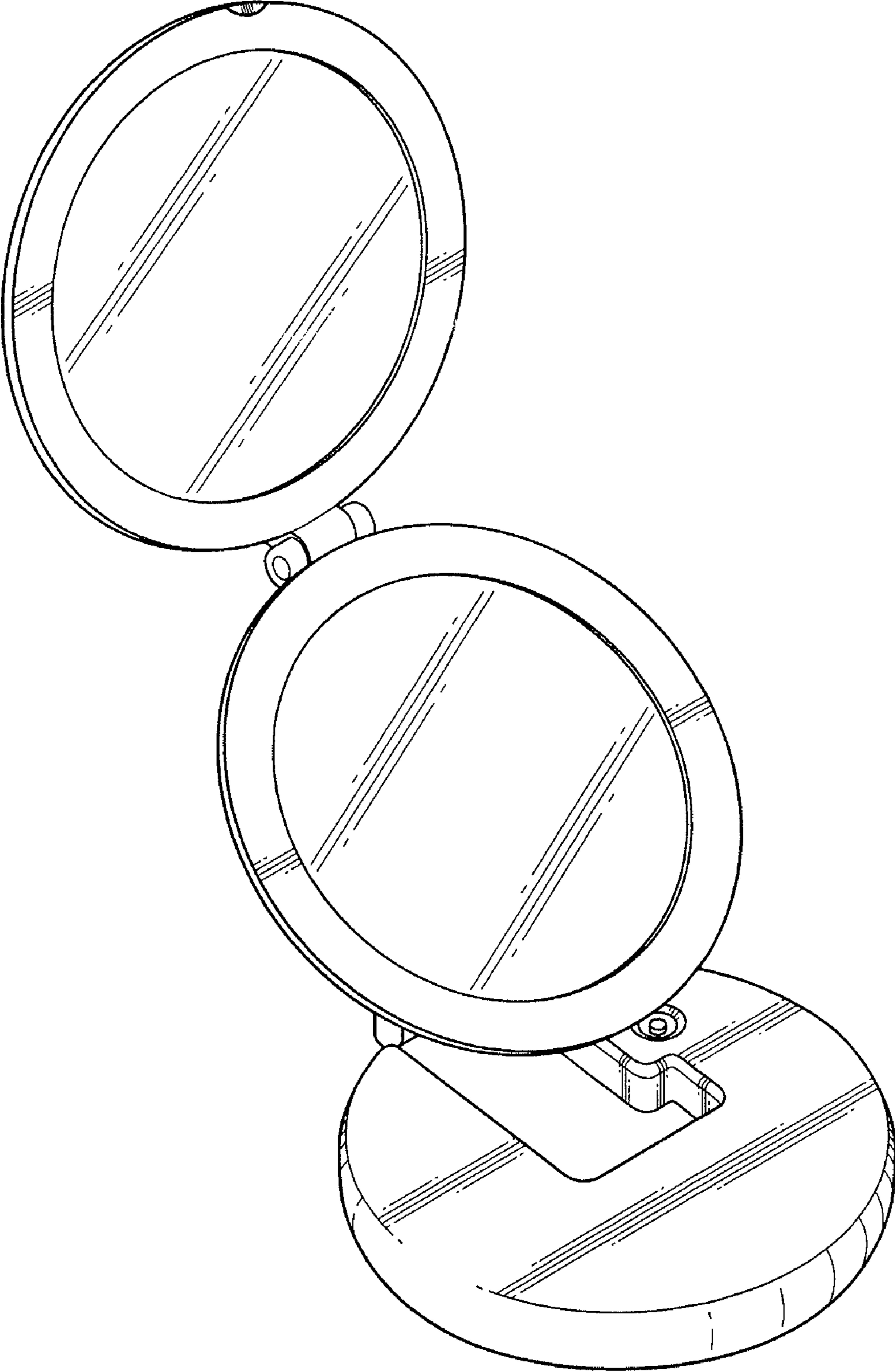


FIG. 1

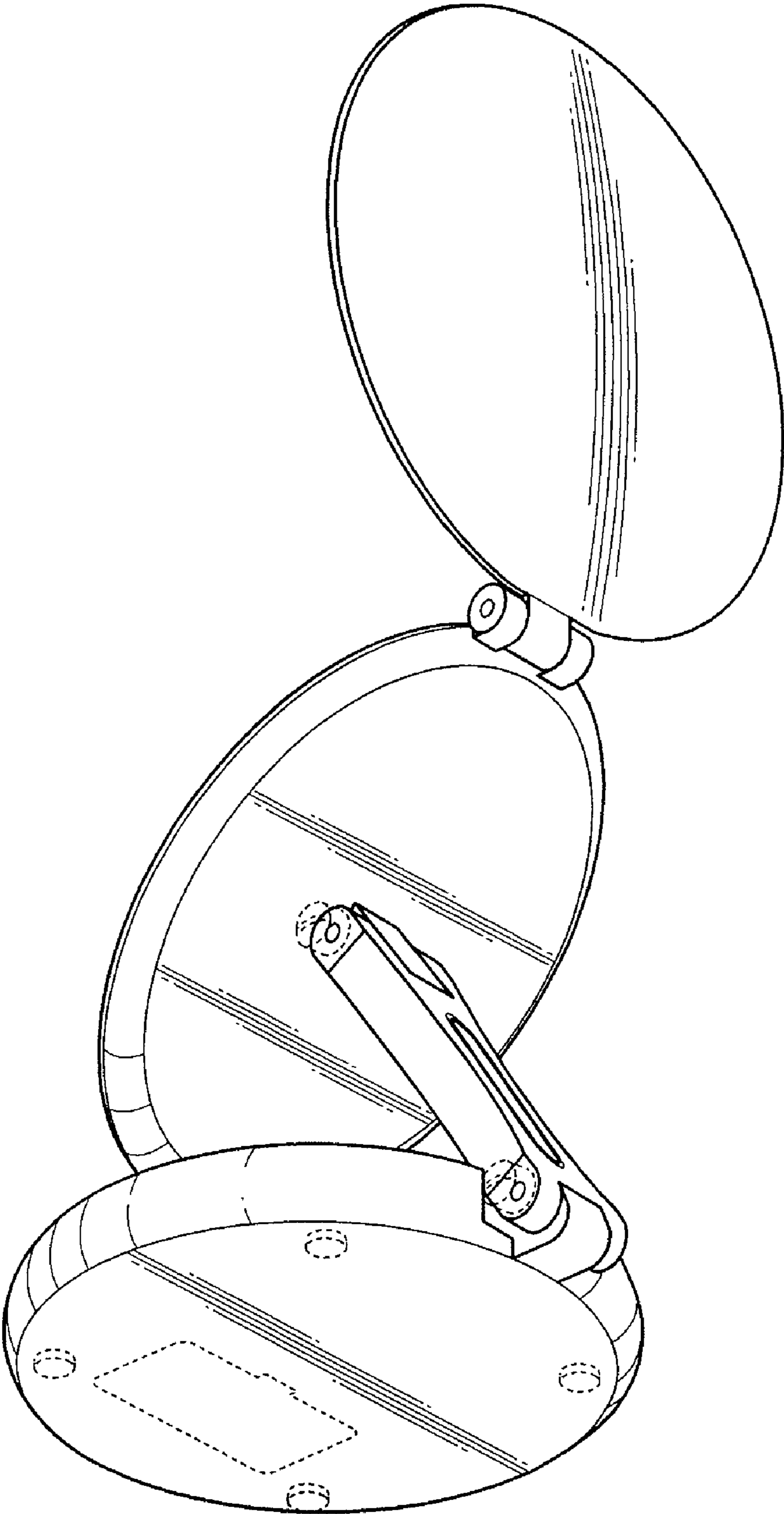


FIG. 2

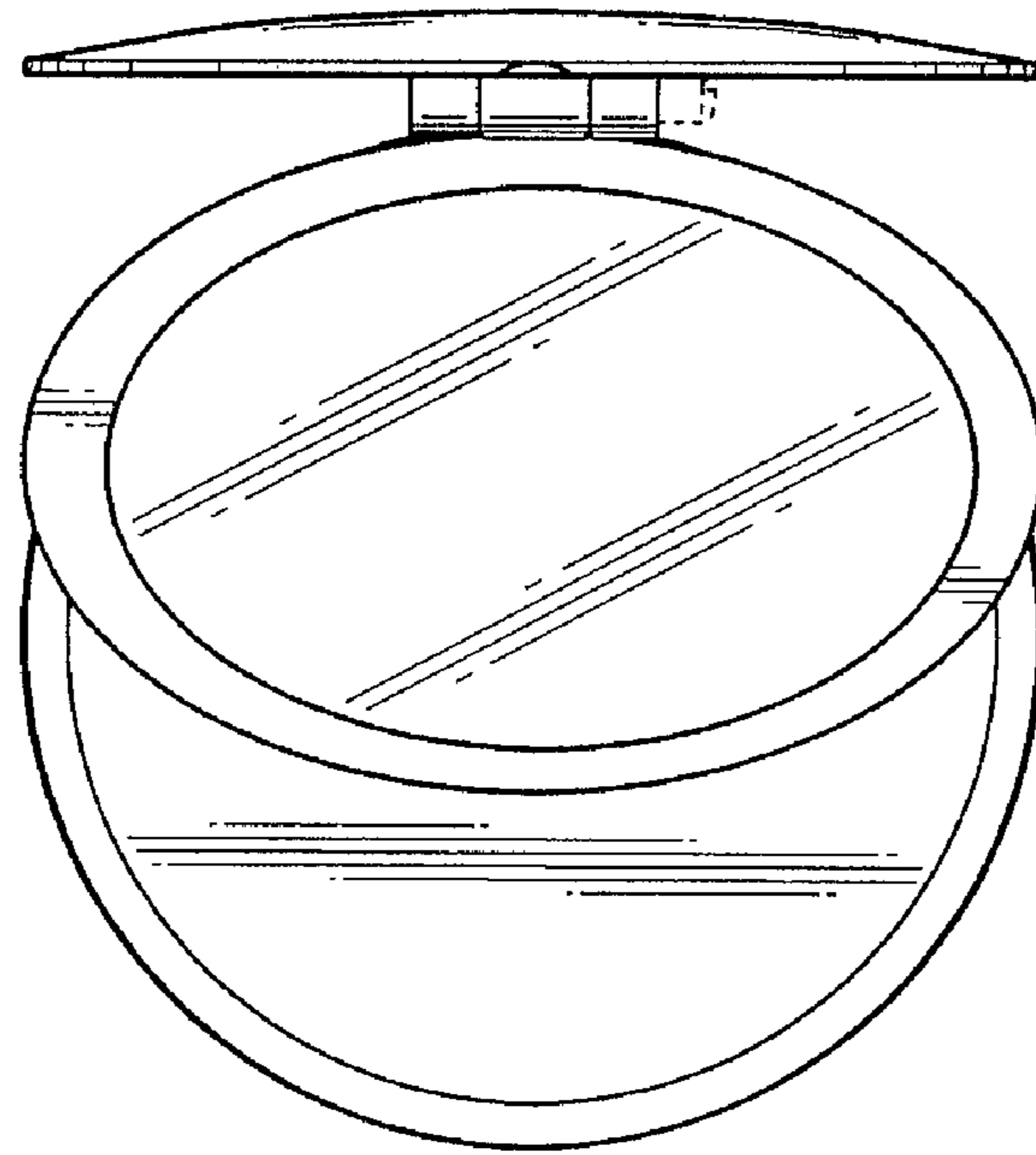


FIG. 3

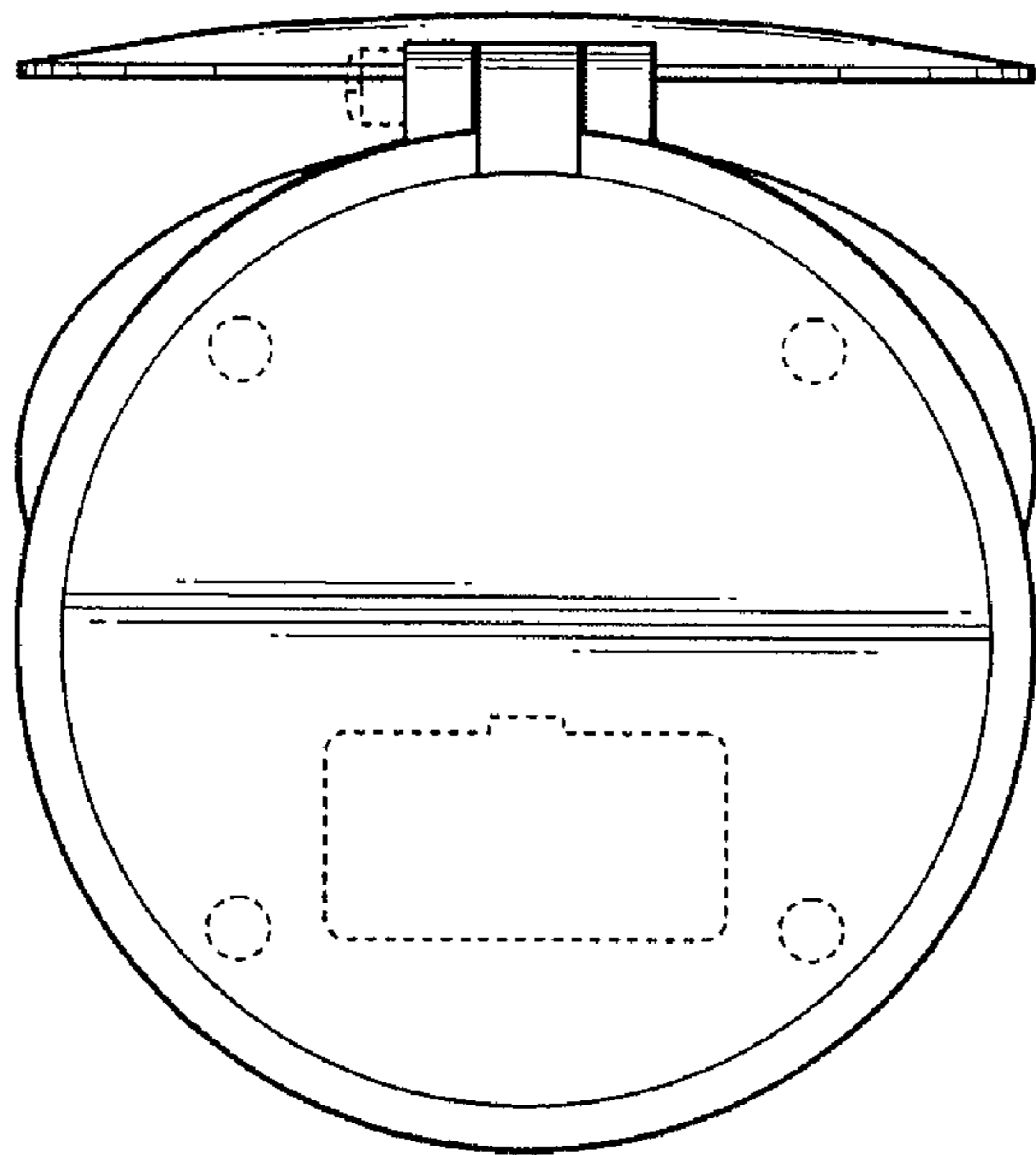


FIG. 4

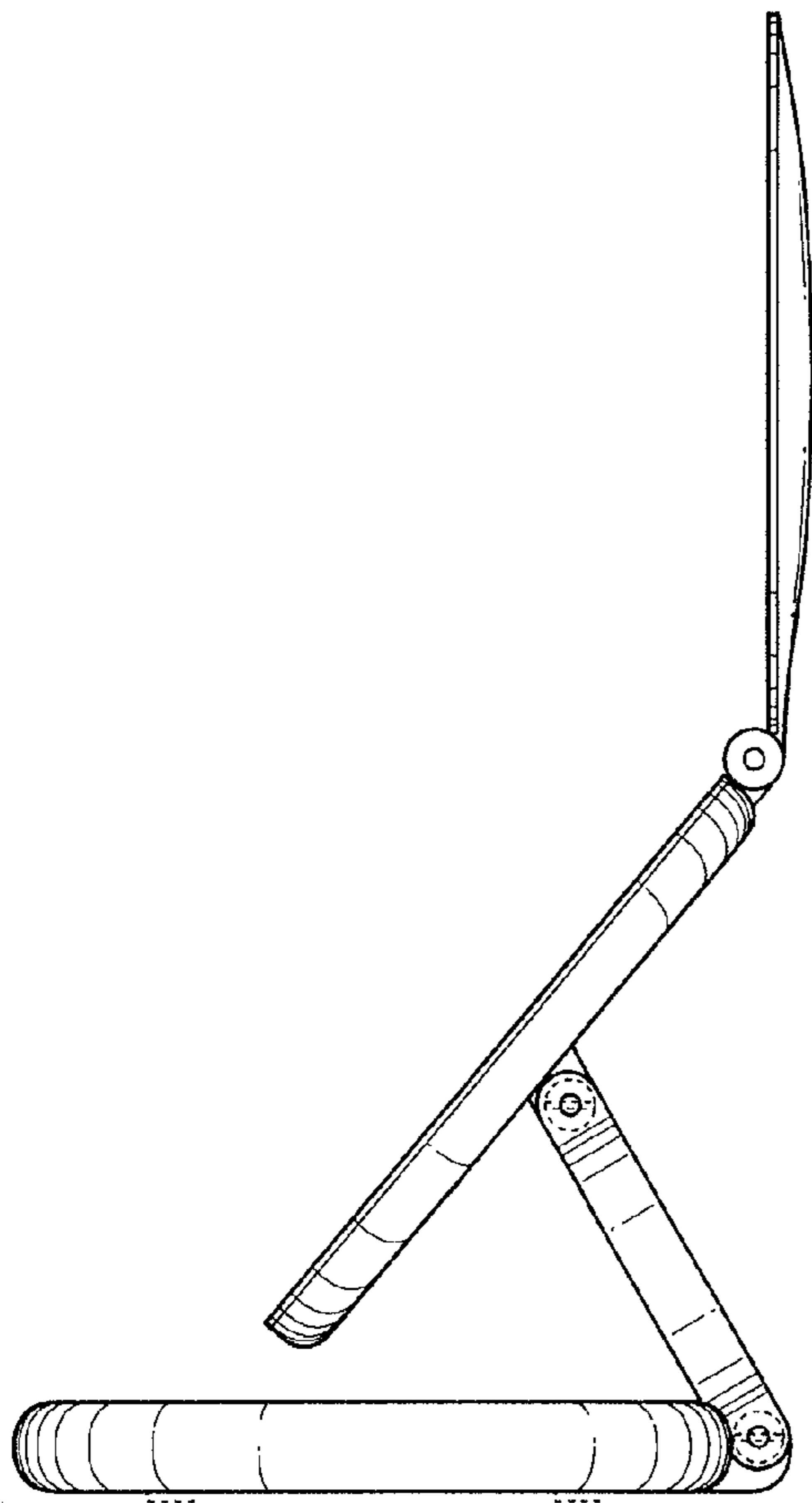


FIG. 5

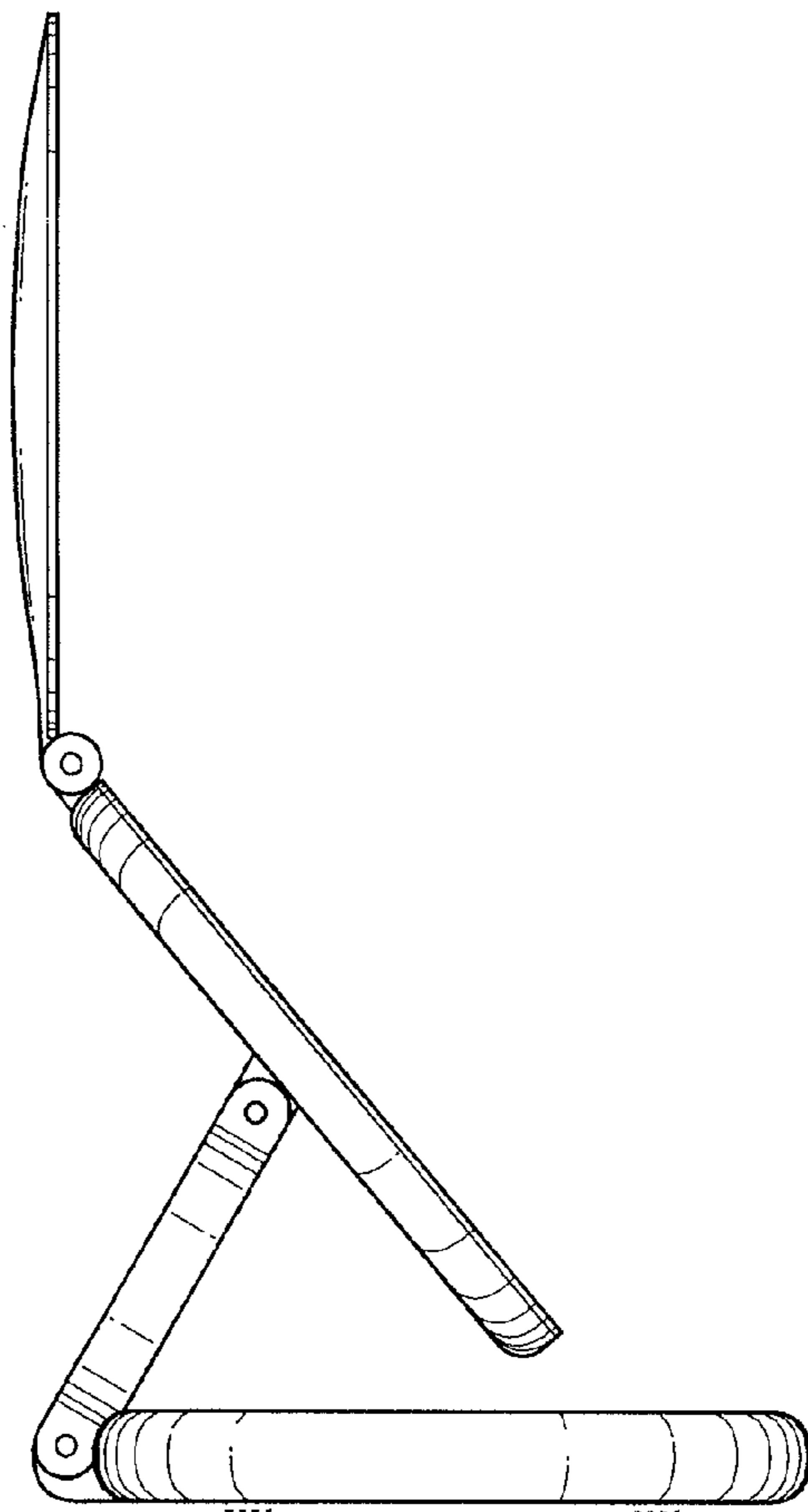


FIG. 6

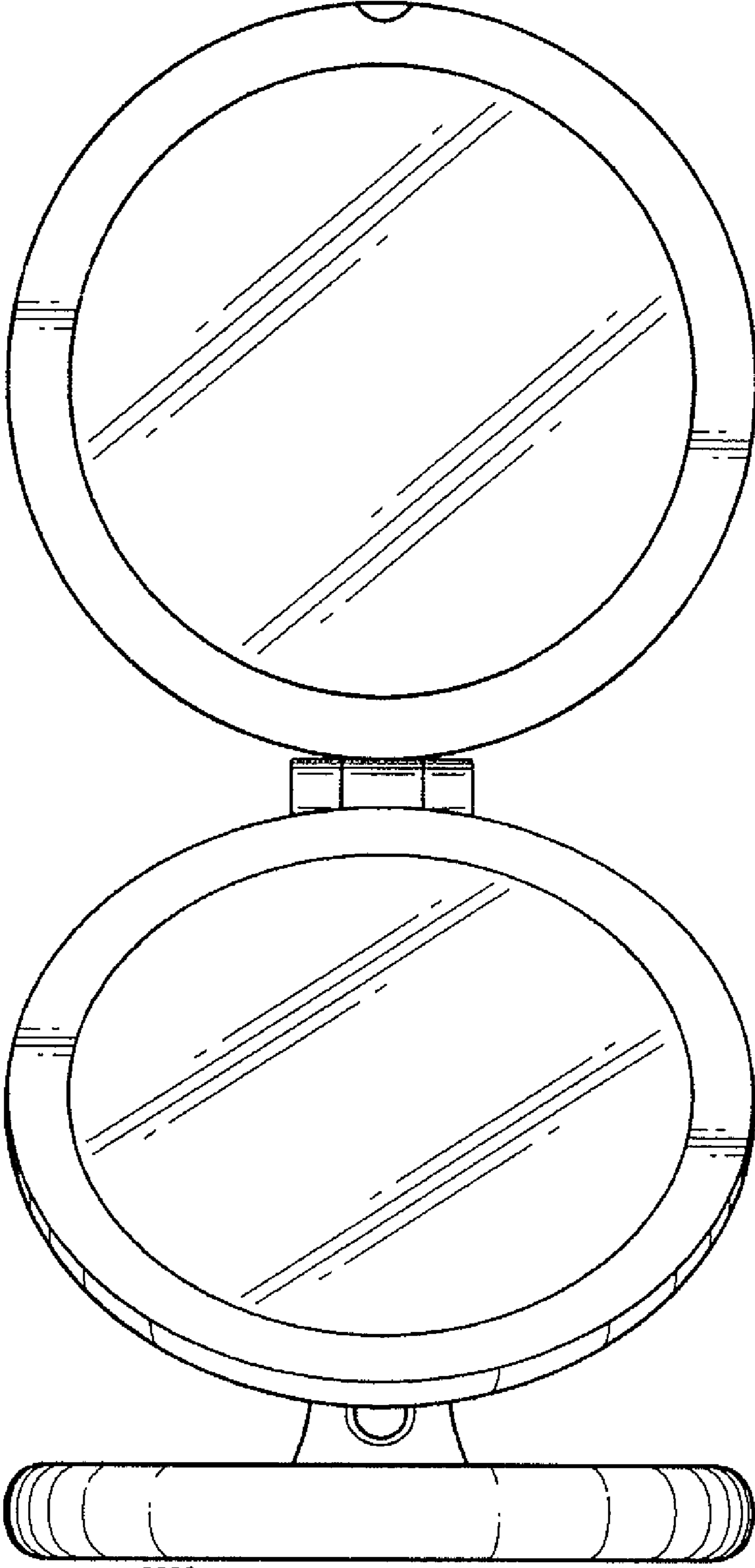


FIG. 7

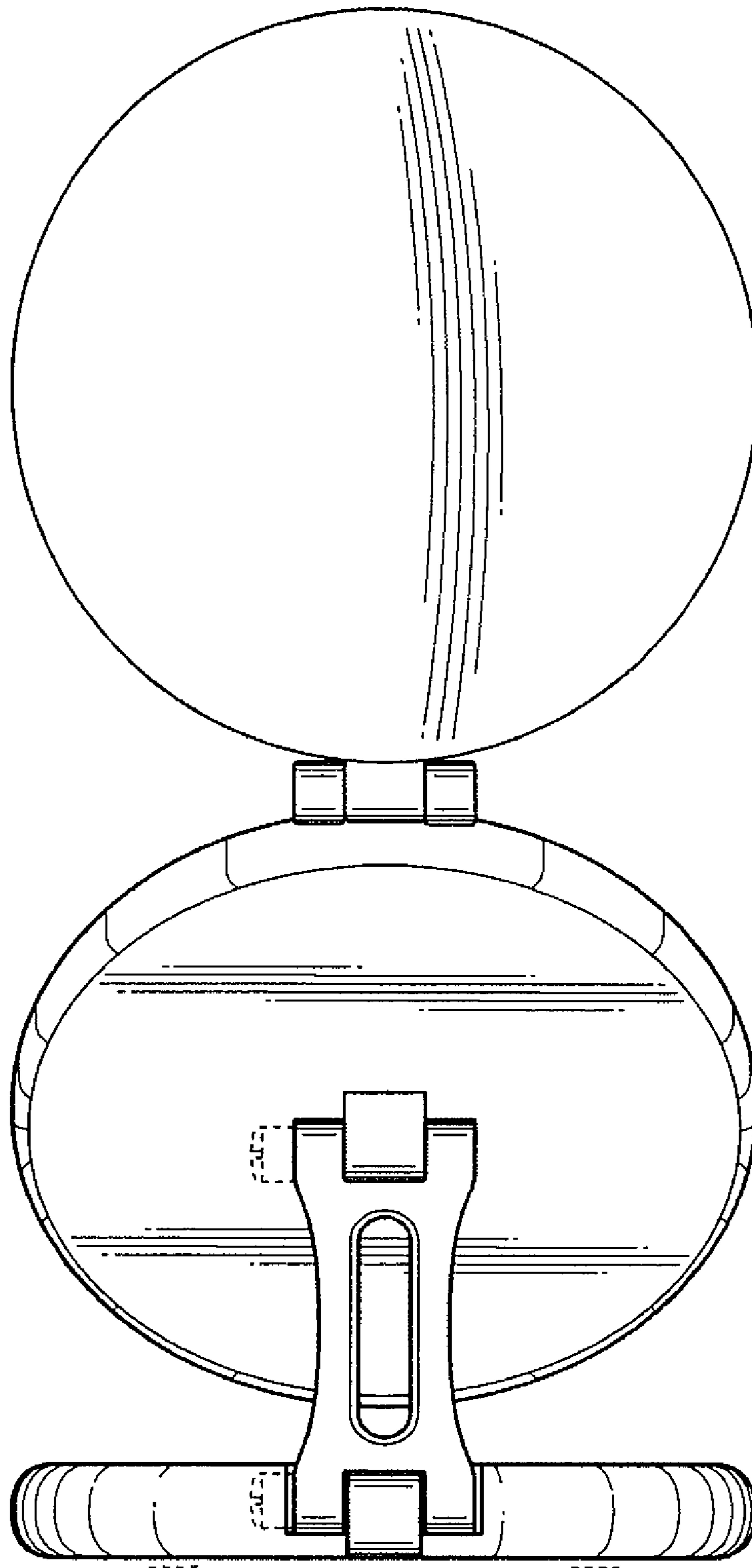


FIG. 8