



US00D625929S

(12) **United States Design Patent**
Mitchell et al.

(10) **Patent No.:** **US D625,929 S**
(45) **Date of Patent:** **** Oct. 26, 2010**

(54) **IMAGE DISPLAY APPARATUS**

(75) Inventors: **Giles Thomas Mitchell**, Chigasaki (JP);
Koji Nagase, Hachioji (JP); **Tatsuya**
Honda, Yokohama (JP)

(73) Assignee: **Kabushiki Kaisha Toshiba**, Tokyo (JP)

(**) Term: **14 Years**

(21) Appl. No.: **29/339,112**

(22) Filed: **Jun. 24, 2009**

(51) **LOC (9) Cl.** **06-04**

(52) **U.S. Cl.** **D6/308; D14/371**

(58) **Field of Classification Search** D6/300-314;
40/700, 768, 717, 714, 721, 735; D14/371,
D14/372, 448, 449, 450, 374, 381, 382, 336,
D14/337, 250, 146, 341, 496, 331, 126, 130,
D14/128; D20/10; D10/24, 75, 2
See application file for complete search history.

(56) **References Cited**

U.S. PATENT DOCUMENTS

D545,777 S	7/2007	Kim et al.	
D572,023 S *	7/2008	Park	D6/300
D597,974 S *	8/2009	Iseki	D14/126
D600,456 S *	9/2009	Son	D6/308
D601,143 S *	9/2009	Oikawa et al.	D14/371
D601,354 S *	10/2009	Chu	D6/308
D610,355 S *	2/2010	Chigira et al.	D6/308

FOREIGN PATENT DOCUMENTS

CN 300698658D 10/2007

CN	300738976D	1/2008
JP	D1339185	9/2008
JP	D1344802	11/2008
KR	30-0483290	3/2008

* cited by examiner

Primary Examiner—Philip S Hyder

Assistant Examiner—Sydney R Buffalow

(74) *Attorney, Agent, or Firm*—Banner & Witcoff, Ltd.

(57) **CLAIM**

The ornamental design for an image display apparatus, as shown and described.

DESCRIPTION

FIG. 1 is a front and right side perspective view of an image display apparatus, showing our new design;

FIG. 2 is a rear, top and left side perspective thereof;

FIG. 3 is a front elevational view thereof;

FIG. 4 is a rear elevational view thereof;

FIG. 5 is a top plan view thereof; and

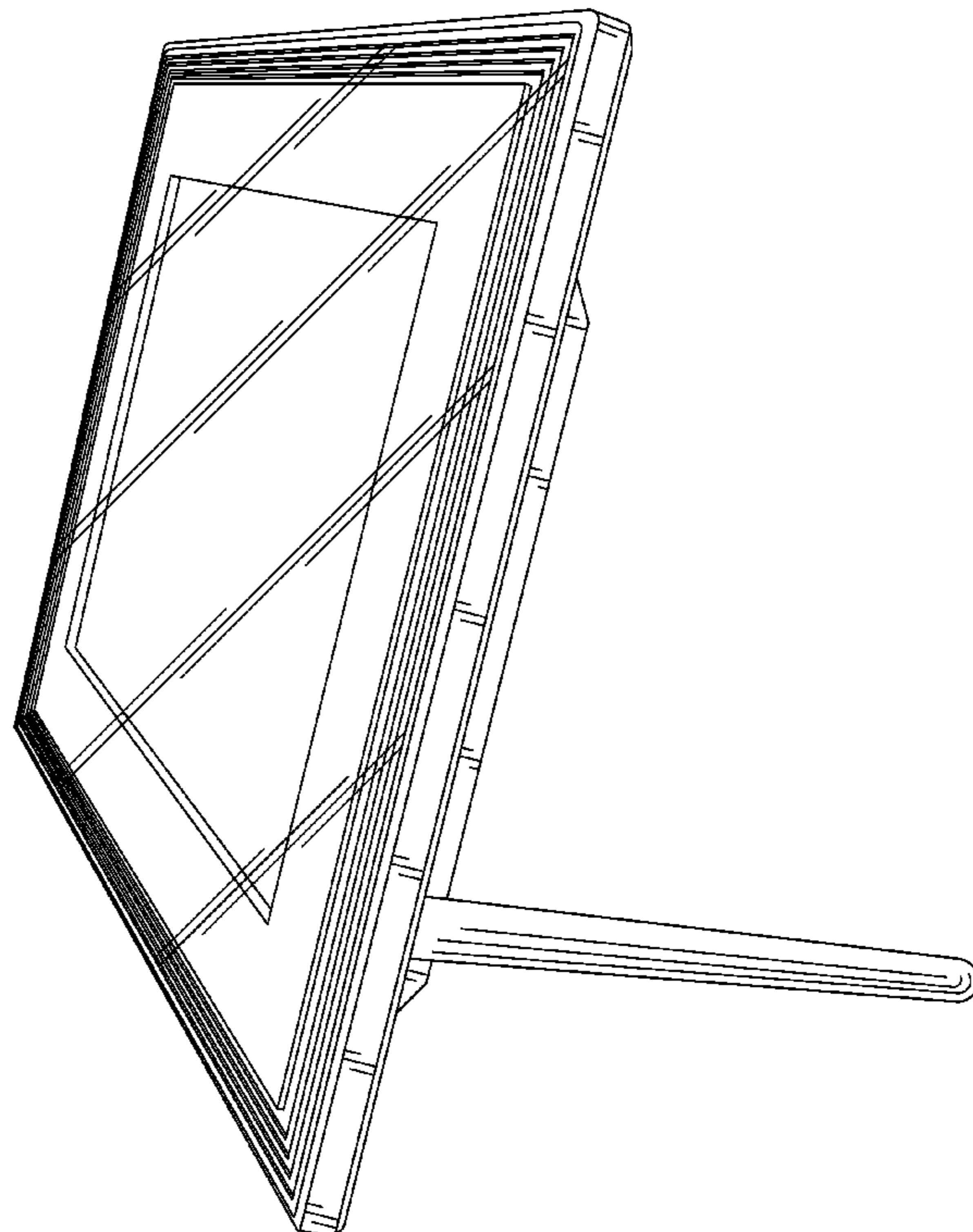
FIG. 6 is a bottom plan view thereof.

FIG. 7 is a right side elevational view thereof; and,

FIG. 8 is a left side elevational view thereof.

The broken line showing of the remainder of the image display apparatus is for illustrative purposes only and forms no part of the claimed design.

1 Claim, 8 Drawing Sheets



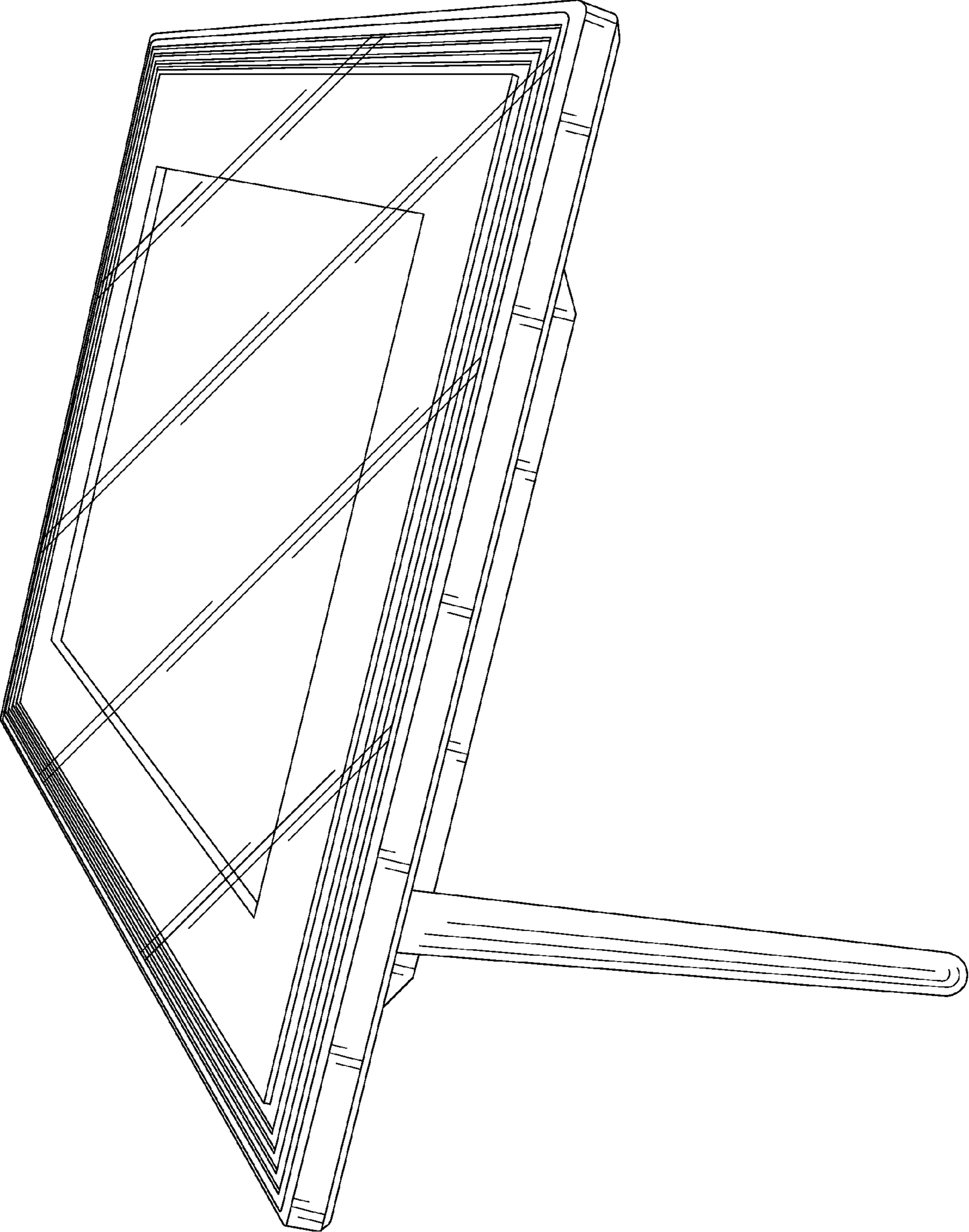


FIG. 1

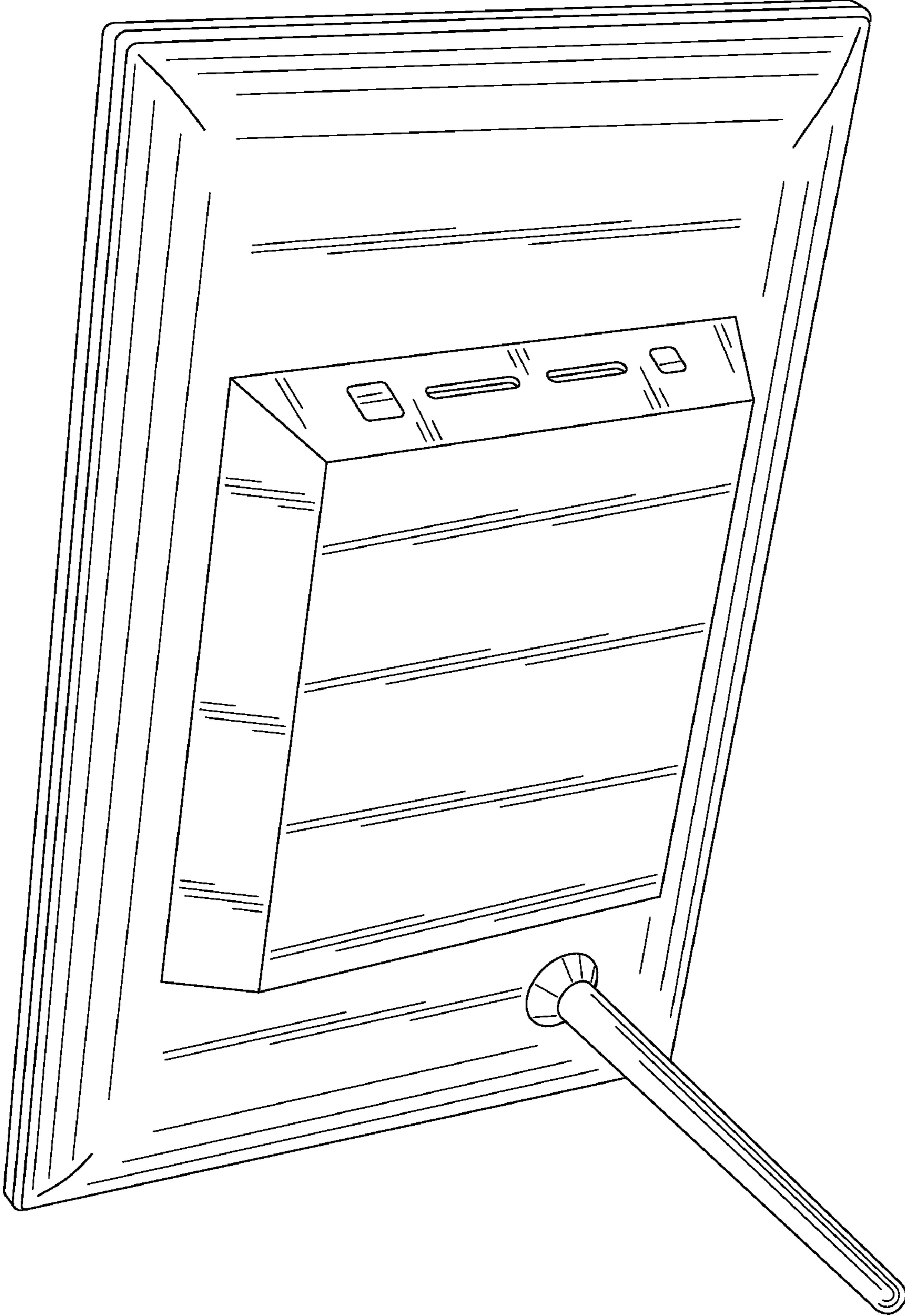


FIG. 2

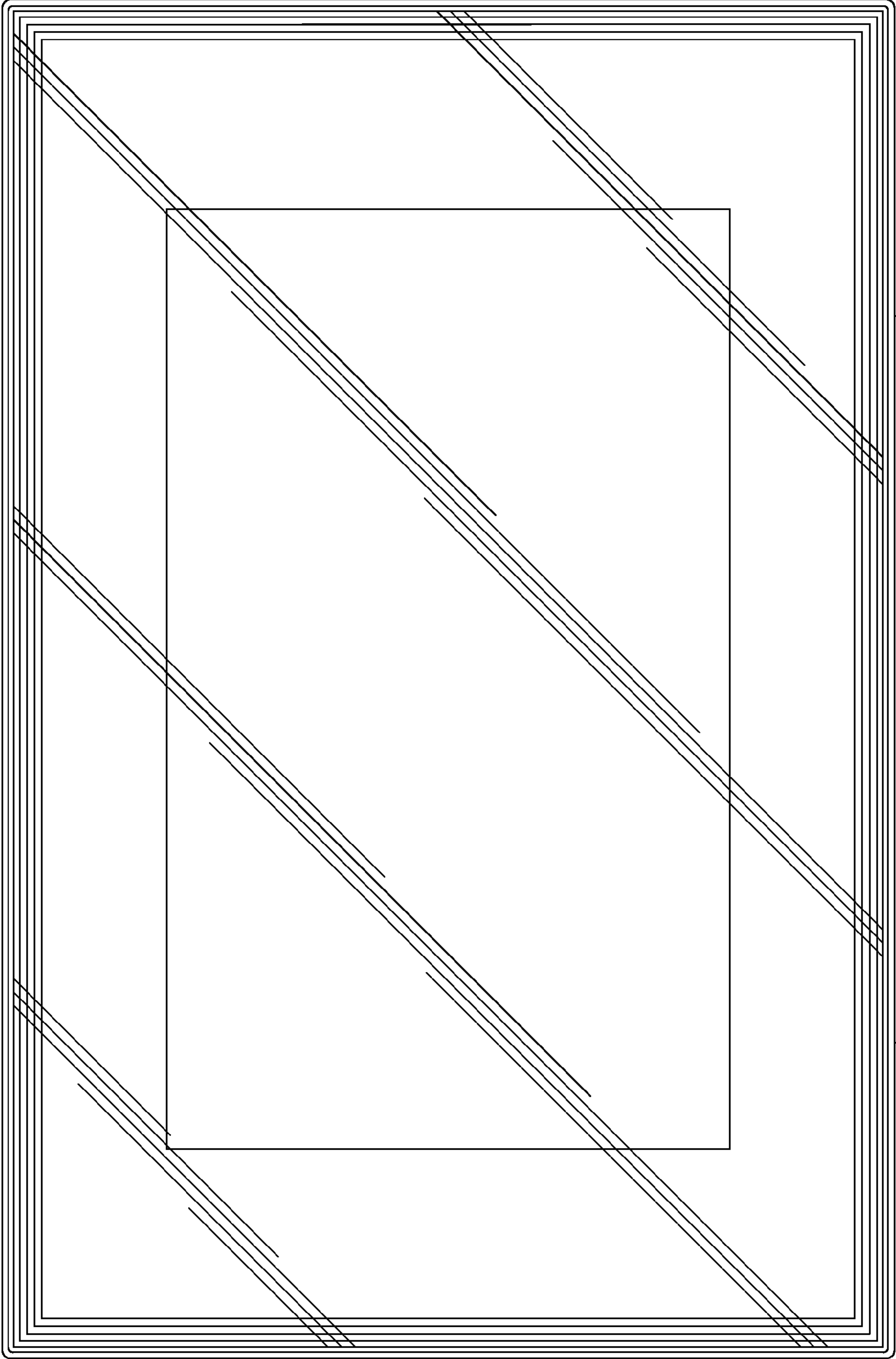


FIG. 3

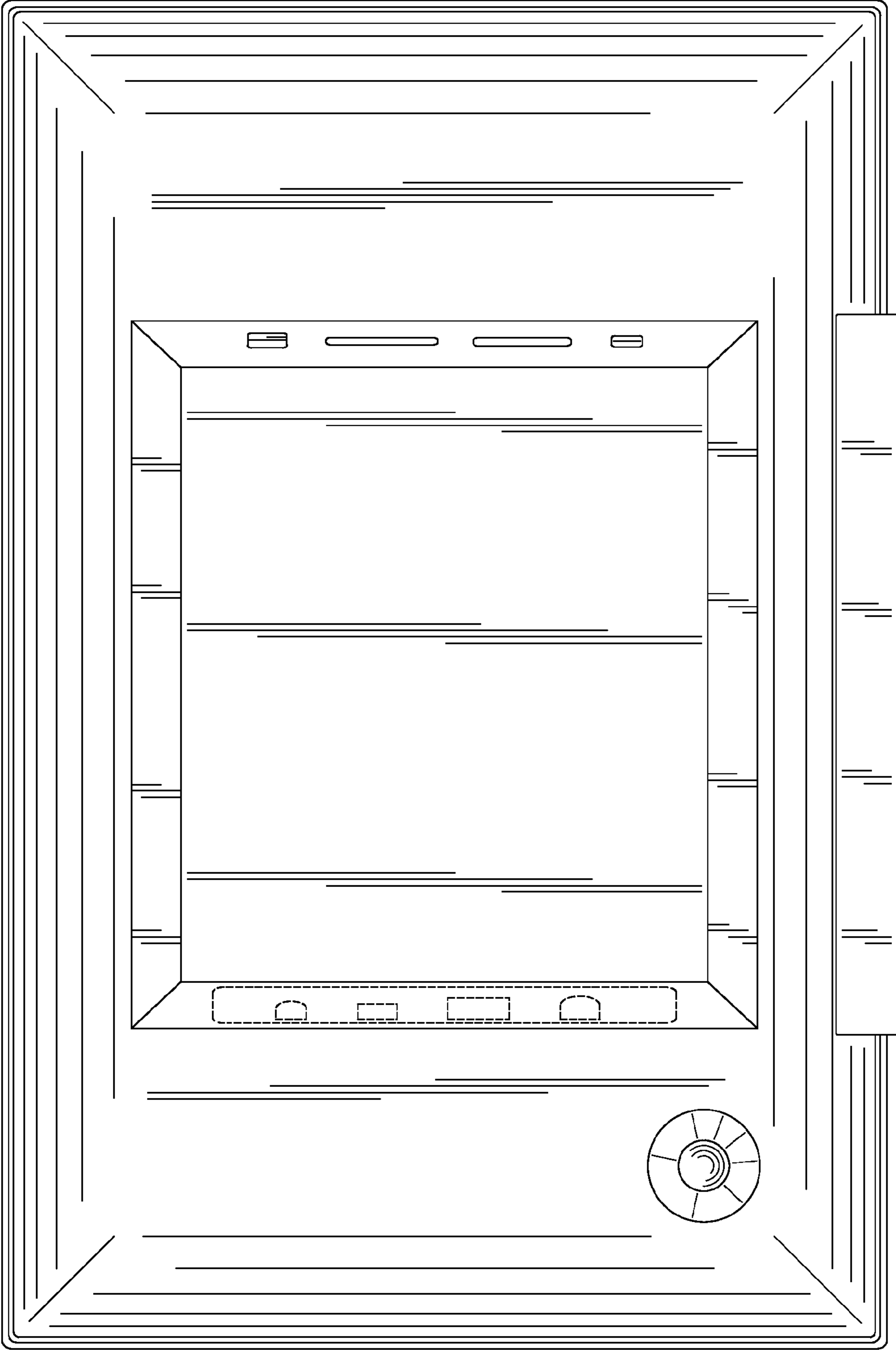


FIG. 4

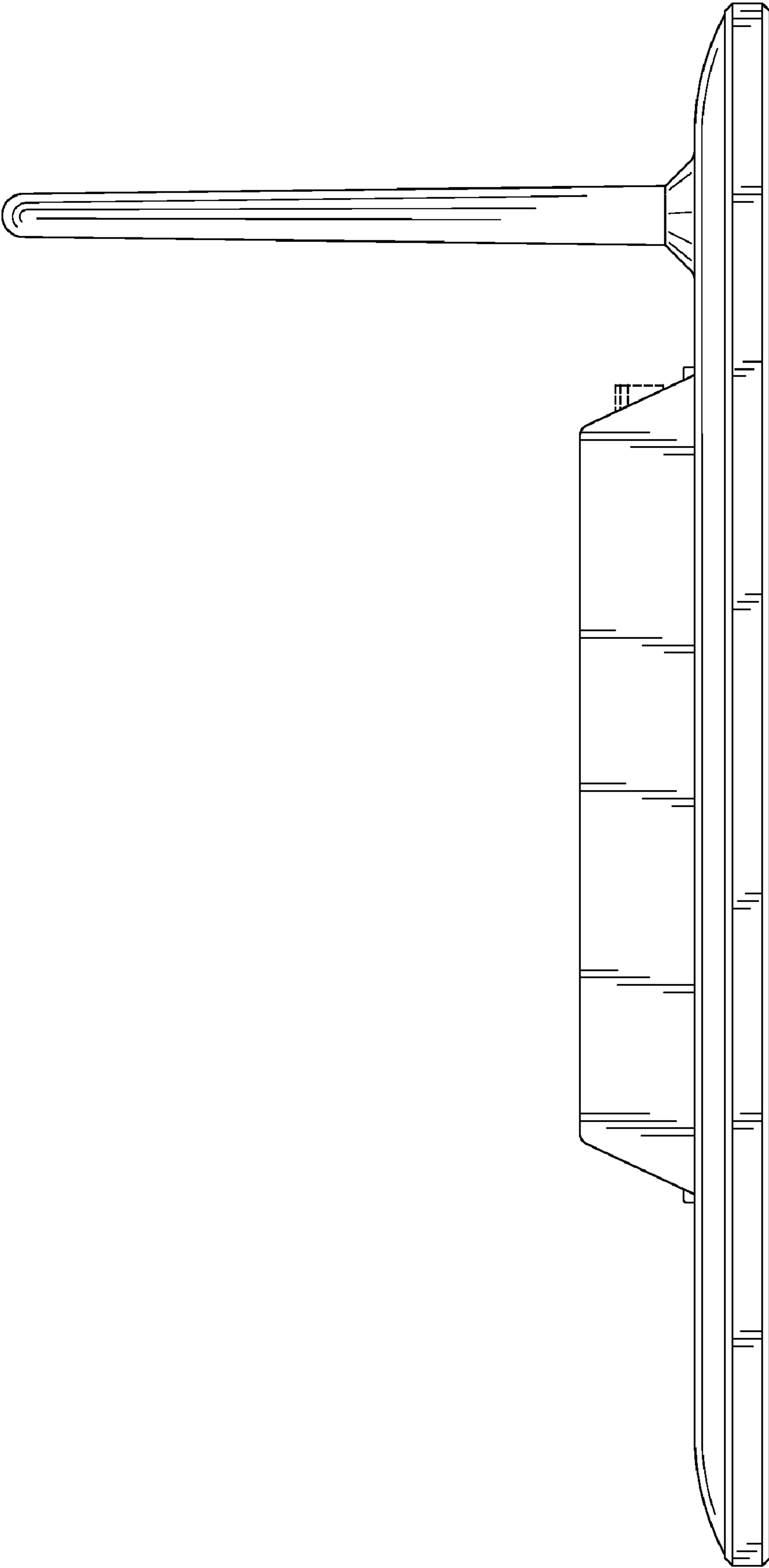


FIG. 5

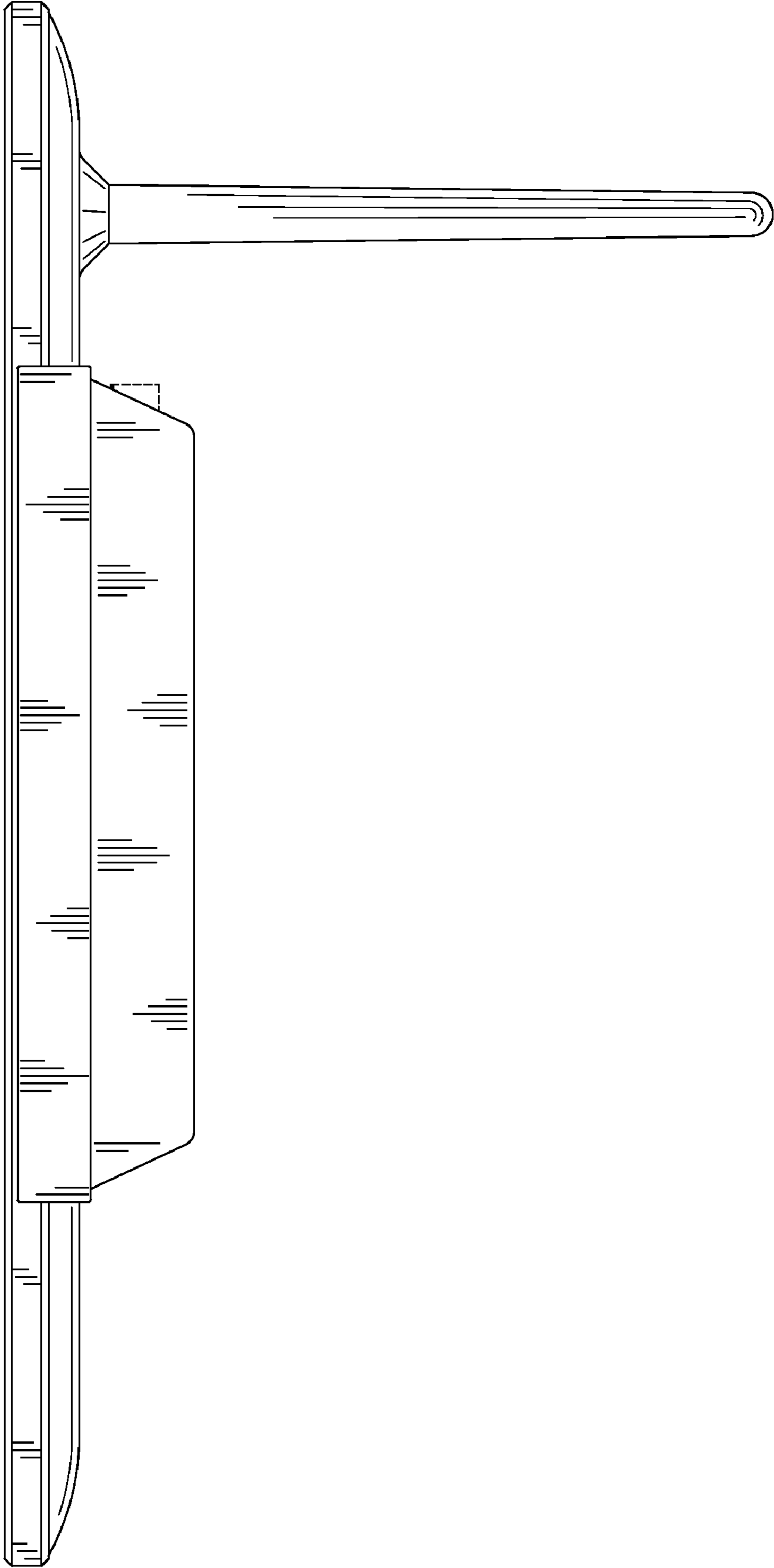


FIG. 6

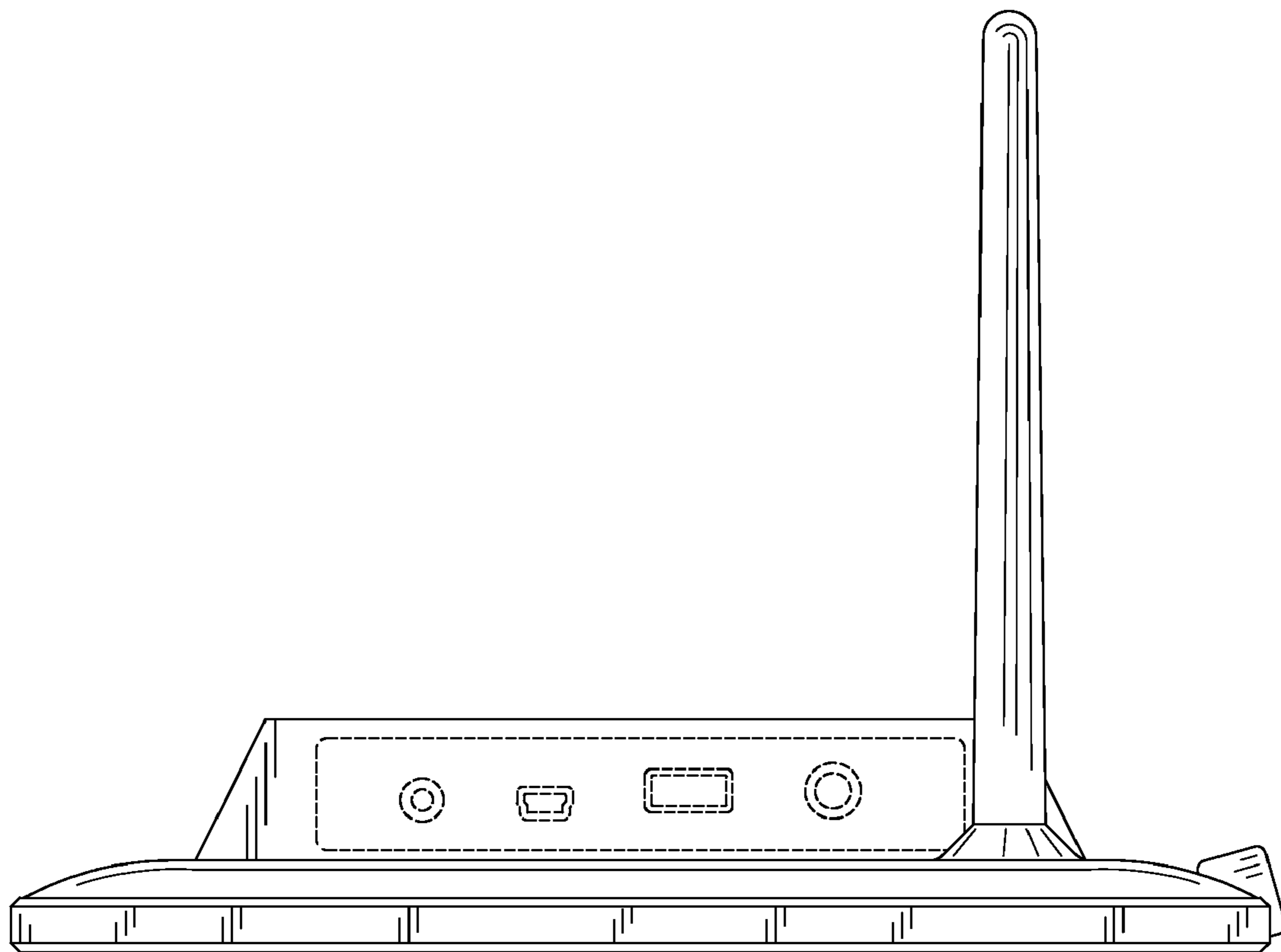


FIG. 7

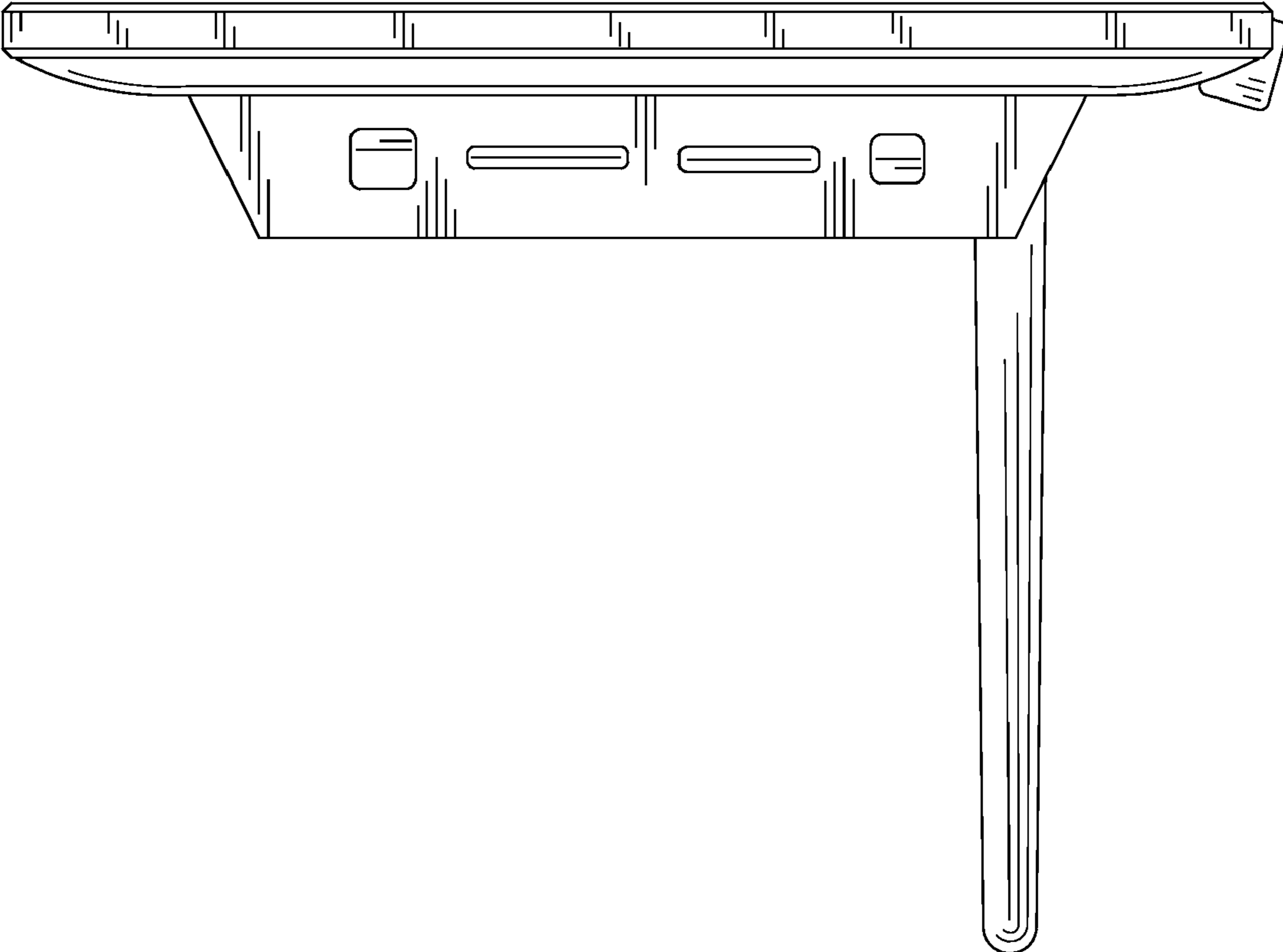


FIG. 8