



US00D625921S

(12) **United States Design Patent**
Trim

(10) **Patent No.:** **US D625,921 S**

(45) **Date of Patent:** **** Oct. 26, 2010**

(54) **WALLET**

(74) *Attorney, Agent, or Firm*—Wall & Tong, LLP

(75) Inventor: **Patricia Trim**, Rumson, NJ (US)

(57) **CLAIM**

(73) Assignee: **Grand Cru' International LLC**,
Rumson, NJ (US)

I claim the ornamental design for the wallet, as shown and described.

(**) Term: **14 Years**

DESCRIPTION

(21) Appl. No.: **29/356,914**

FIG. 1 is a perspective view of the wallet closed;

(22) Filed: **Mar. 4, 2010**

FIG. 2 is a front view of FIG. 1;

(51) **LOC (9) Cl.** **03-01**

FIG. 3 is a right side view of FIG. 1;

(52) **U.S. Cl.** **D3/247**

FIG. 4 is a rear view of FIG. 1;

(58) **Field of Classification Search** D3/247–253;
150/130–132

FIG. 5 is a left side view of FIG. 1;

See application file for complete search history.

FIG. 6 is a top view of FIG. 1;

FIG. 7 is a bottom view of FIG. 1; and,

(56) **References Cited**

FIG. 8 is an environmental front perspective view.

U.S. PATENT DOCUMENTS

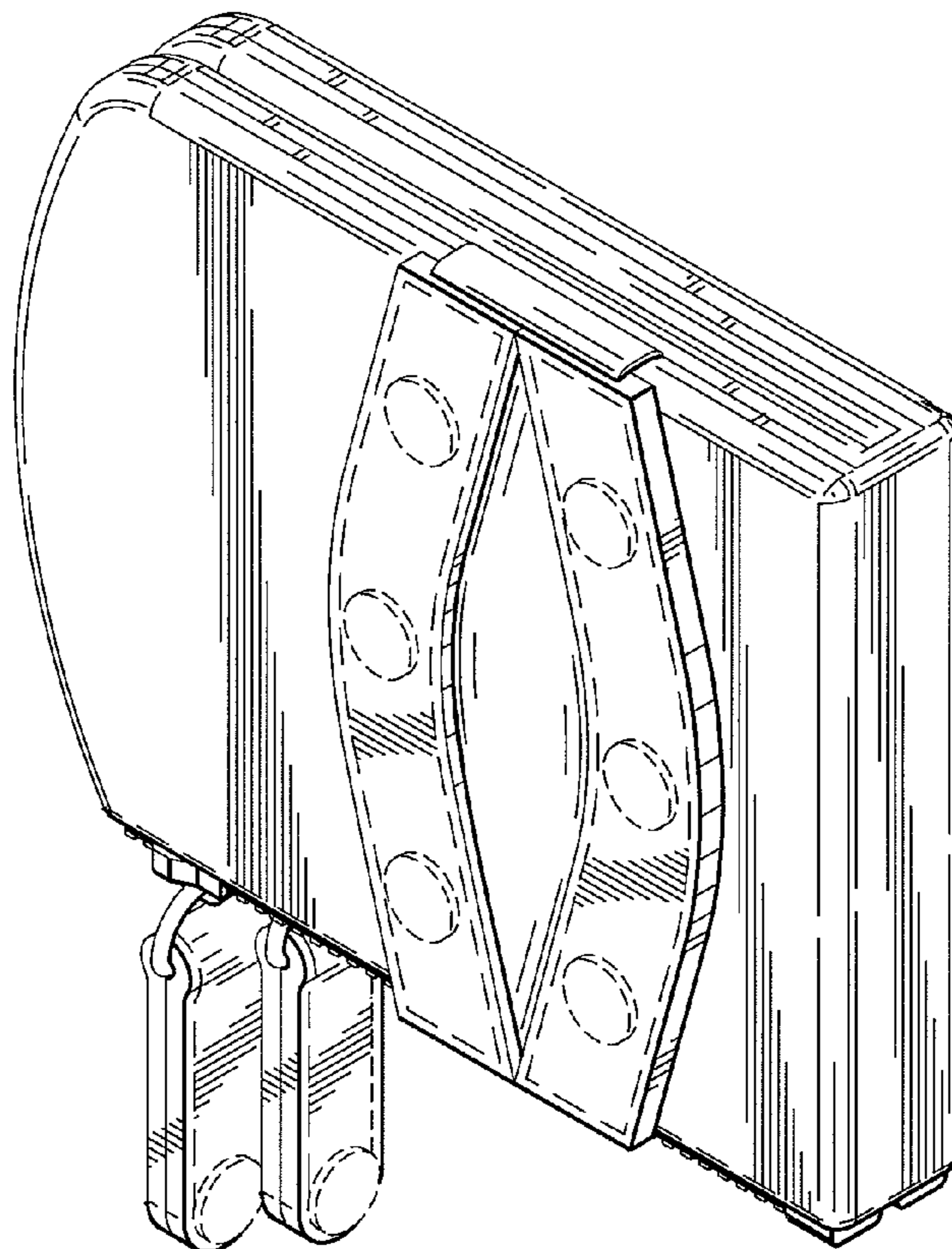
The characteristic feature of the design resides in the overall rectilinear shape of the wallet in combination with two compartment access zippers and a securing loop mounted on the front portion of the wallet. The shape and features shown in broken lines, of the wallet, in the accompanying Figures, are for illustrative purposes only and form no part of the claimed design.

D331,483 S *	12/1992	Travis et al.	D3/250
D335,028 S *	4/1993	Berlin	D3/250
D384,499 S *	10/1997	Gaestel	D3/247
D492,483 S *	7/2004	Gildea	D3/249

* cited by examiner

Primary Examiner—Holly H Baynham

1 Claim, 5 Drawing Sheets



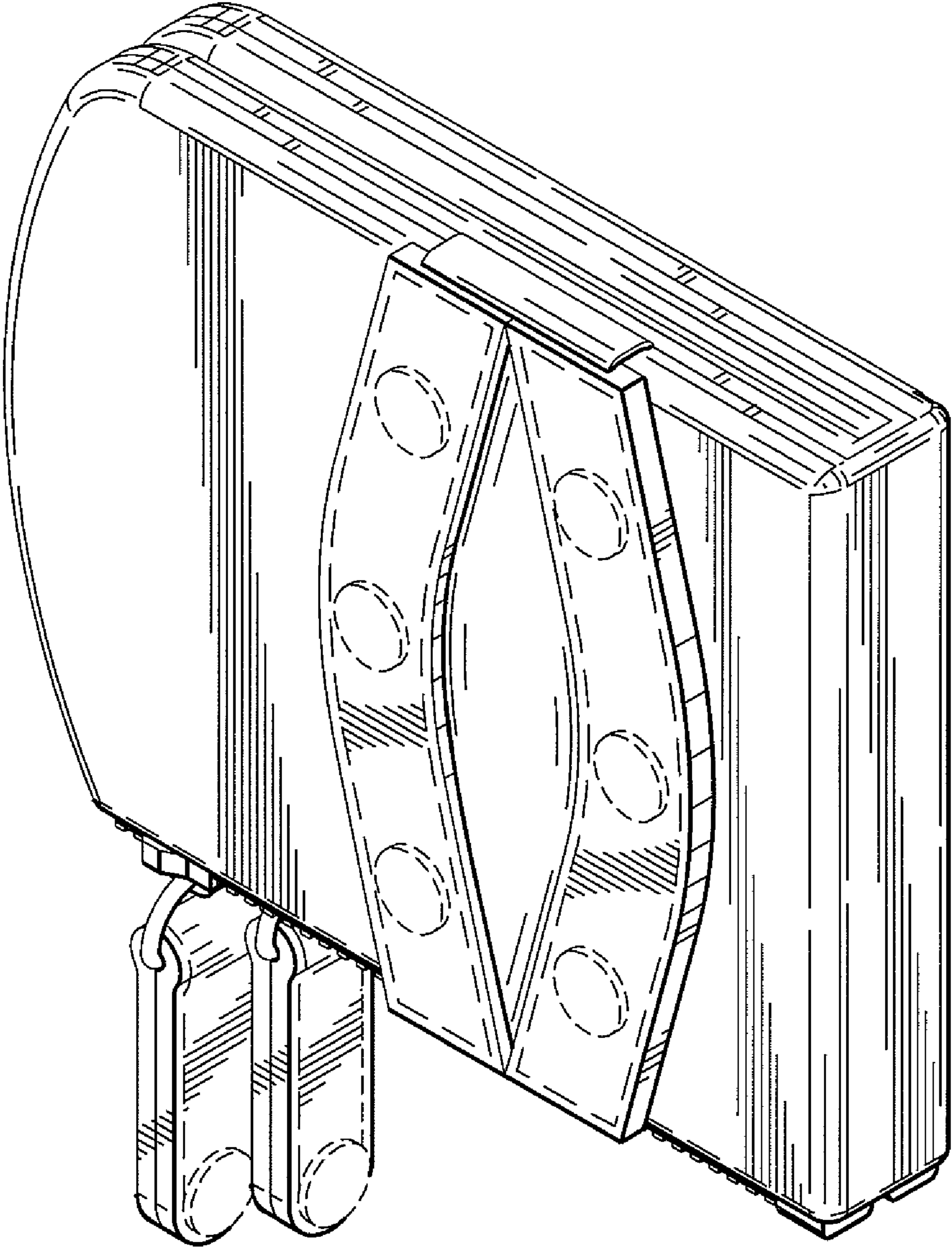


FIG. 1

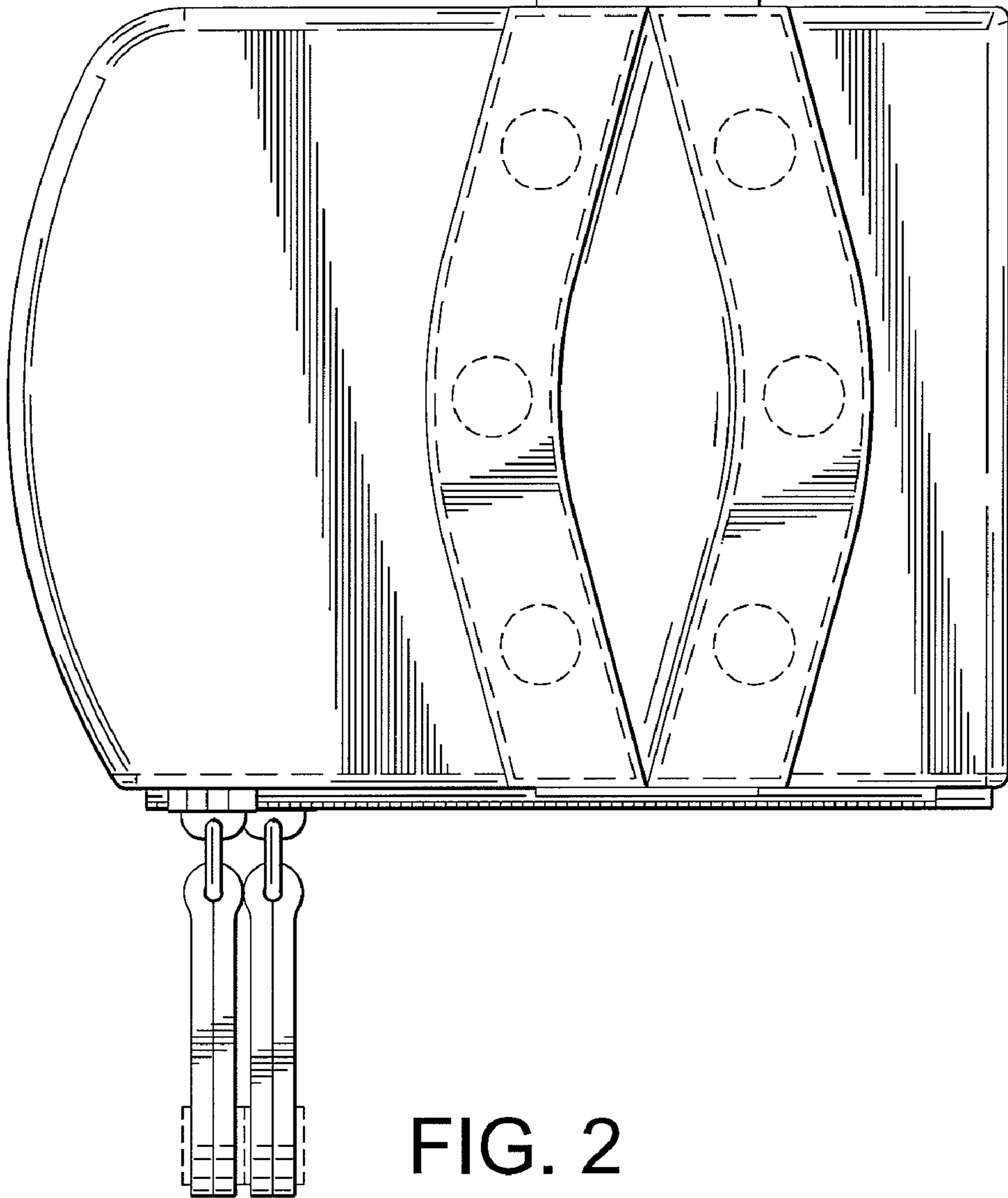


FIG. 2



FIG. 6

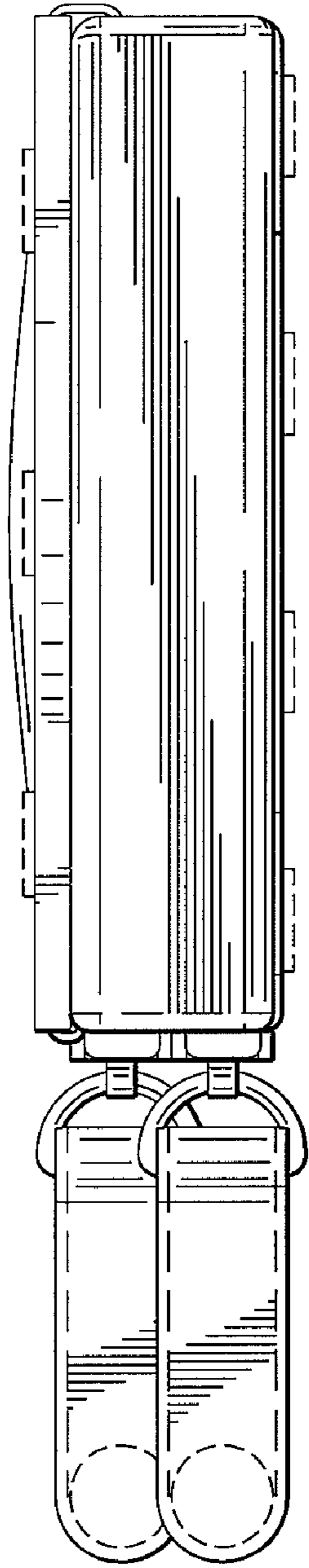


FIG. 3

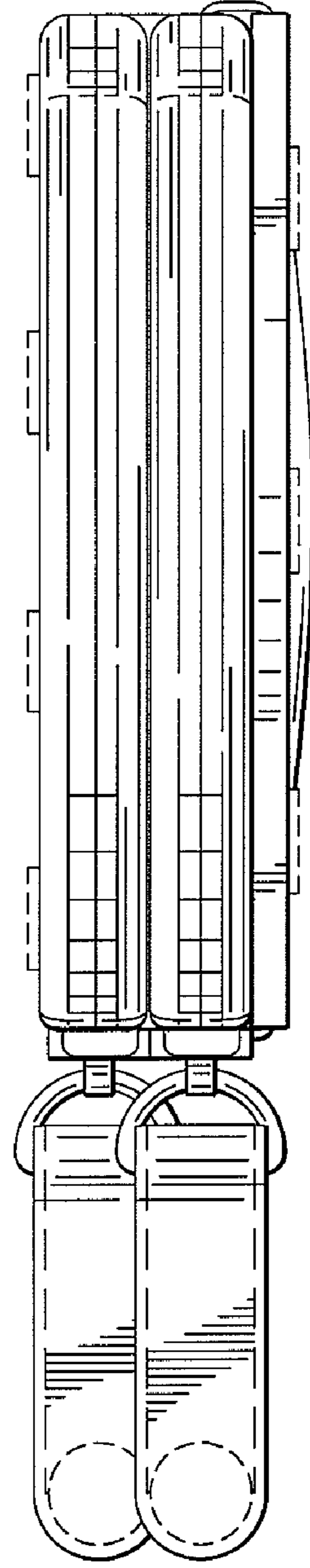


FIG. 5

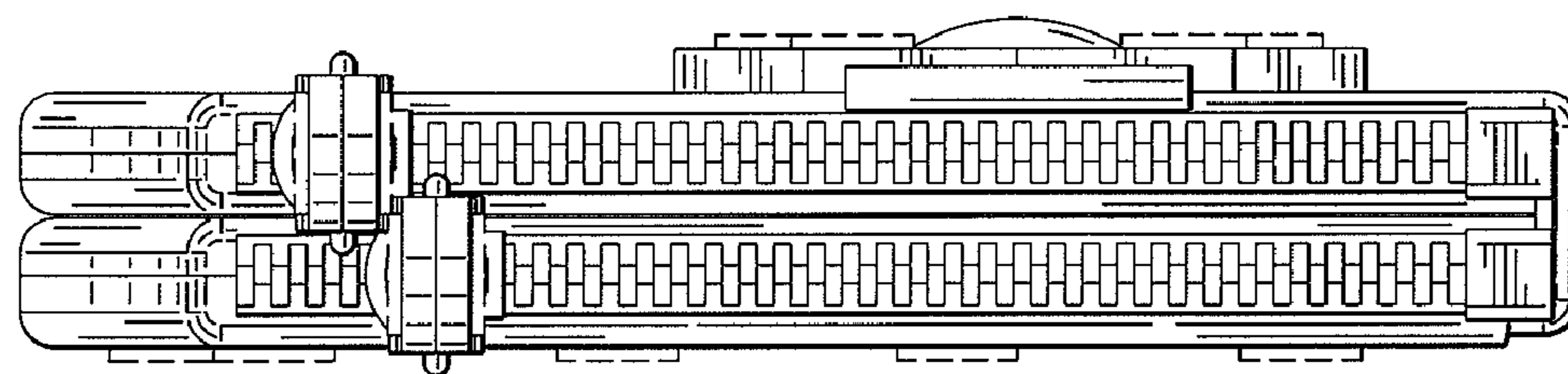
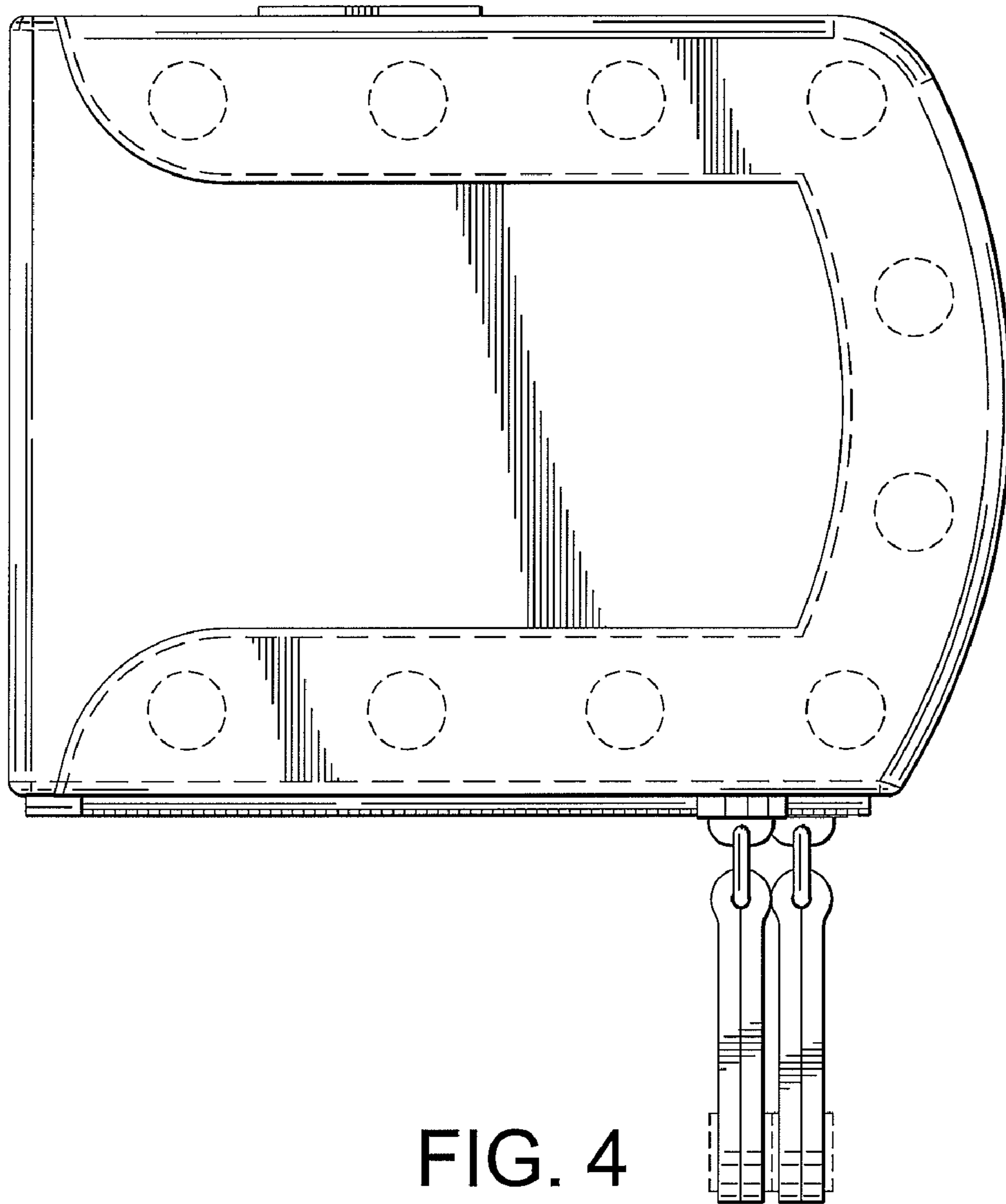


FIG. 7

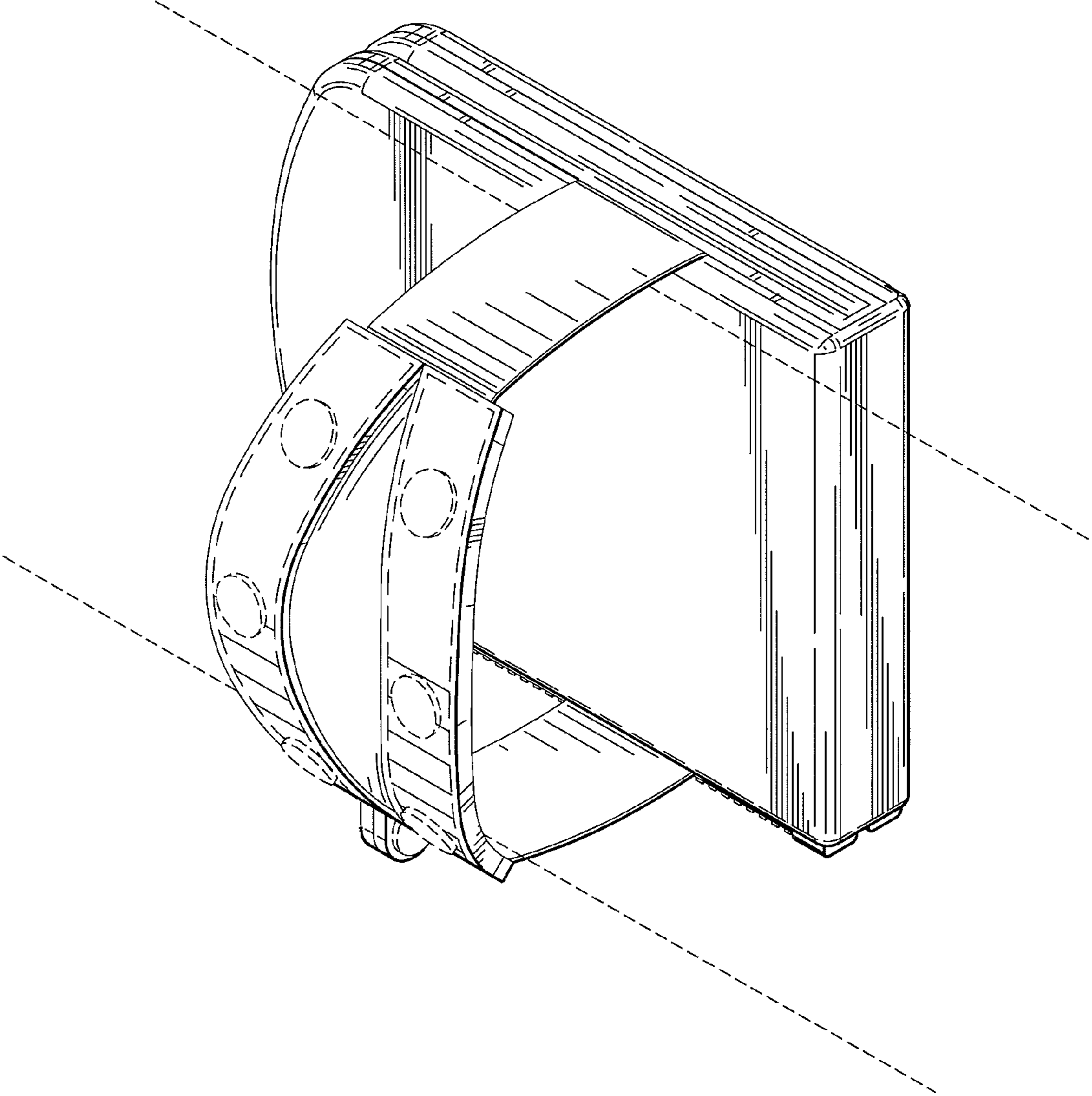


FIG. 8