



US00D625920S

(12) **United States Design Patent**  
**Lyon et al.**

(10) **Patent No.:** **US D625,920 S**  
(45) **Date of Patent:** **\*\* Oct. 26, 2010**

(54) **CASE WITH INTEGRATED POCKET**

(76) Inventors: **Eric Lyon**, 700 1/2 Orchid Ave., Corona Del Mar, CA (US) 92625; **Ryan Murphey**, 1 Landfall, Newport Beach, CA (US) 92660

(\*\*) Term: **14 Years**

(21) Appl. No.: **29/348,374**

(22) Filed: **Dec. 24, 2009**

(51) **LOC (9) Cl.** ..... **03-01**

(52) **U.S. Cl.** ..... **D3/247**

(58) **Field of Classification Search** ..... D3/201, D3/203.1, 203.3, 203.6, 203.8, 205-206, D3/218, 221, 273-274, 294-295, 901, 903, D3/905; D9/423-424, 432; 206/207; 150/134-149  
See application file for complete search history.

(56) **References Cited**

U.S. PATENT DOCUMENTS

D256,852 S *	9/1980	McGahee	.....	D3/247
4,951,817 A	8/1990	Barletta et al.		
5,348,347 A	9/1994	Shink		
5,499,713 A	3/1996	Huffer		
5,829,657 A	11/1998	Romer, Jr.		
6,105,778 A	8/2000	Tsai		
6,471,056 B1	10/2002	Tzeng		
6,766,952 B2	7/2004	Luu		
D510,187 S *	10/2005	Chan	.....	D3/247
7,077,596 B1	7/2006	Bianco et al.		
D527,182 S *	8/2006	Ham	.....	D3/294
7,204,398 B1	4/2007	Smith, Sr.		
7,290,654 B2	11/2007	Hodges		
D560,911 S *	2/2008	Hackbart et al.	.....	D3/273
D570,112 S *	6/2008	McDowell et al.	.....	D3/247
D575,506 S *	8/2008	Huang	.....	D3/247

D589,699 S	4/2009	Silvers
2007/0021068 A1	1/2007	Dewhurst
2007/0138222 A1	6/2007	Goldman
2008/0121322 A1	5/2008	Thomson
2009/0134090 A1	5/2009	Pollack

FOREIGN PATENT DOCUMENTS

GB 2325371 11/1998

\* cited by examiner

*Primary Examiner*—Holly H Baynham

(57) **CLAIM**

The ornamental design for a case with integrated pocket, as shown and described.

**DESCRIPTION**

FIG. 1 is a perspective view of my new design showing an open faced front with peripheral flanges and further showing interior surfaces including an interior surface of a rear panel;

FIG. 2 is a front plan view thereof;

FIG. 3 is a rear plan view thereof showing the rear panel and over the rear panel a pocket holding a credit card, the credit card shown with broken line as it is not a part of the claimed design;

FIG. 4 is a right side elevational view thereof, the left side elevational view being a mirror image thereof;

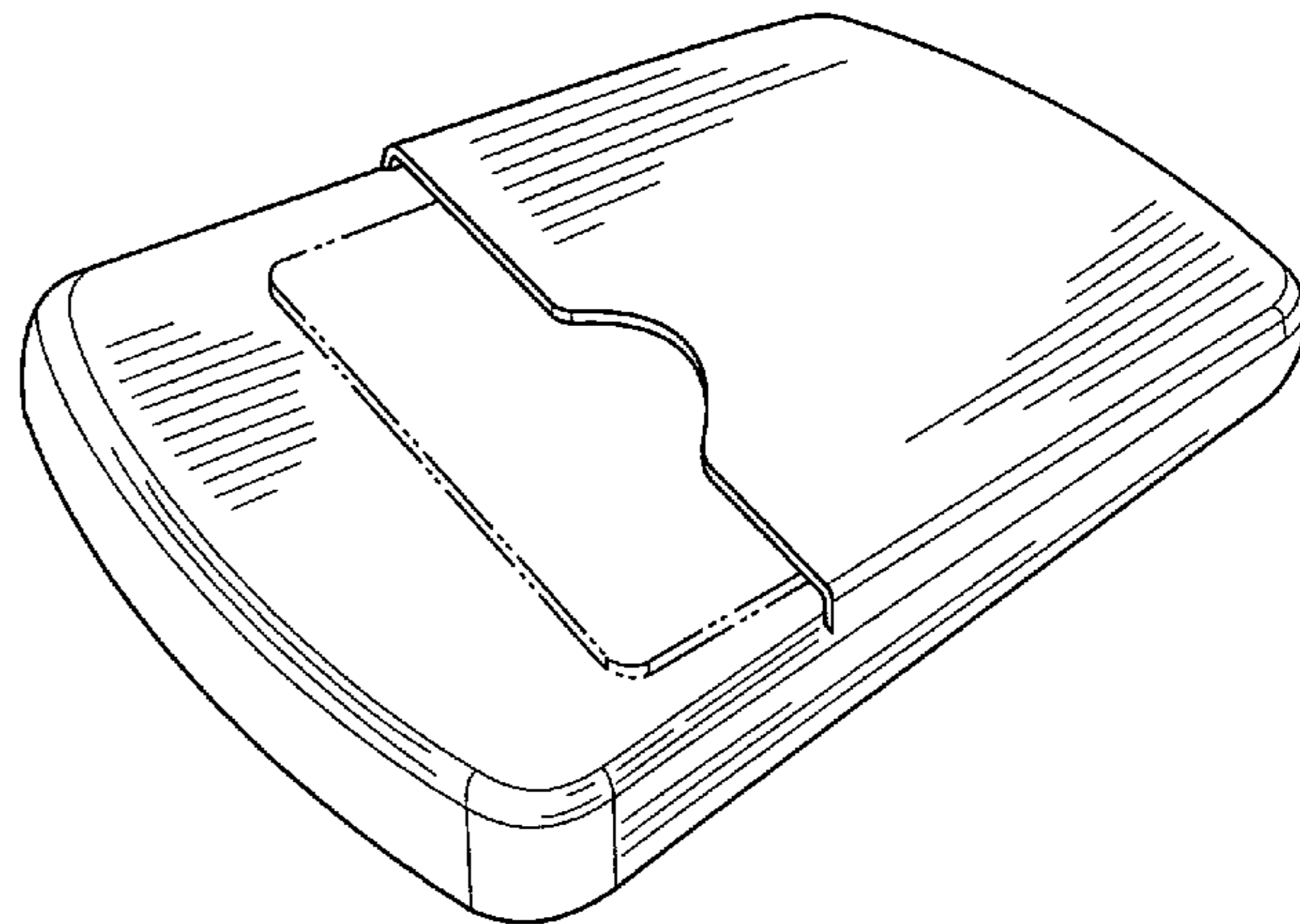
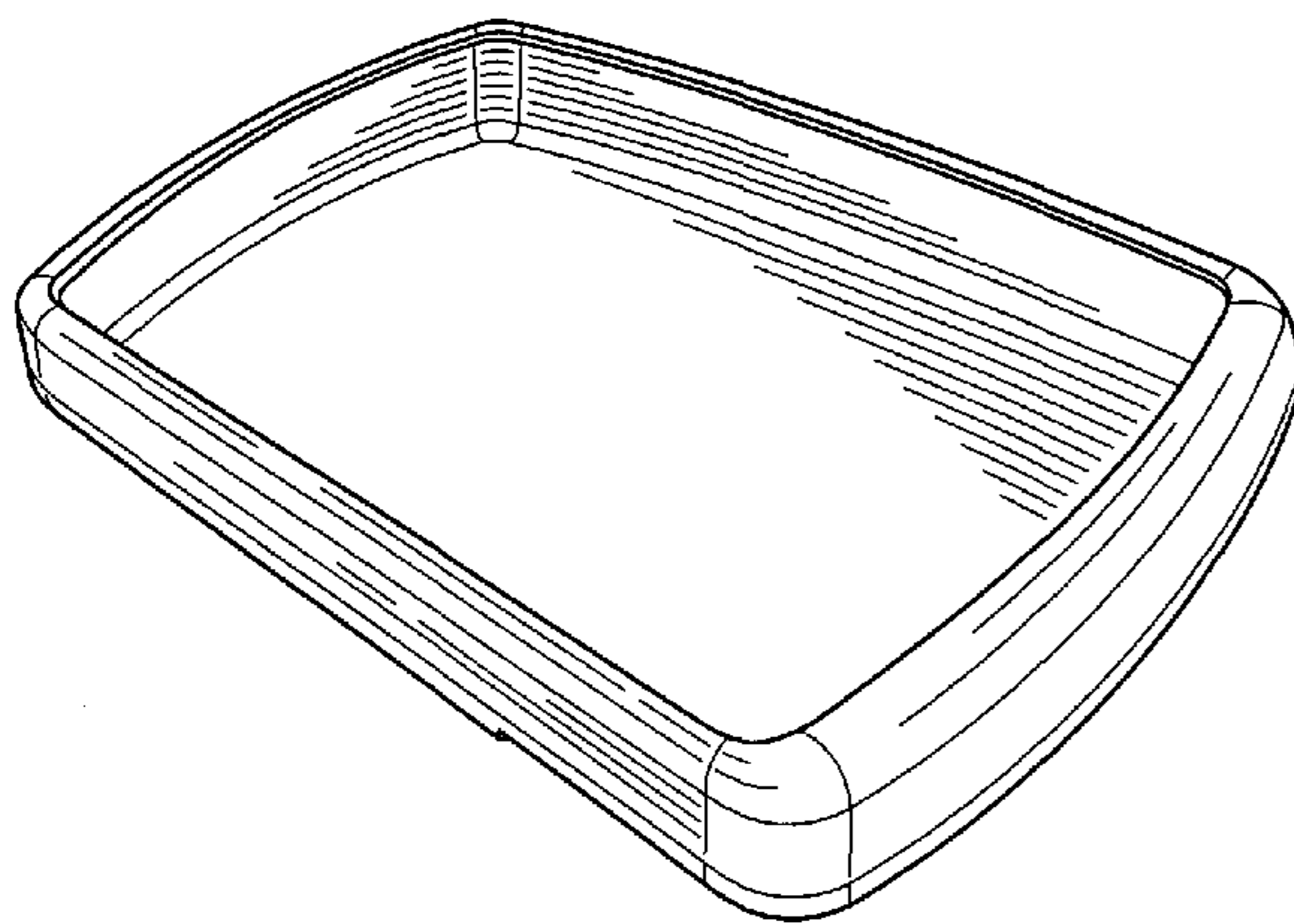
FIG. 5 is a top side elevational view thereof;

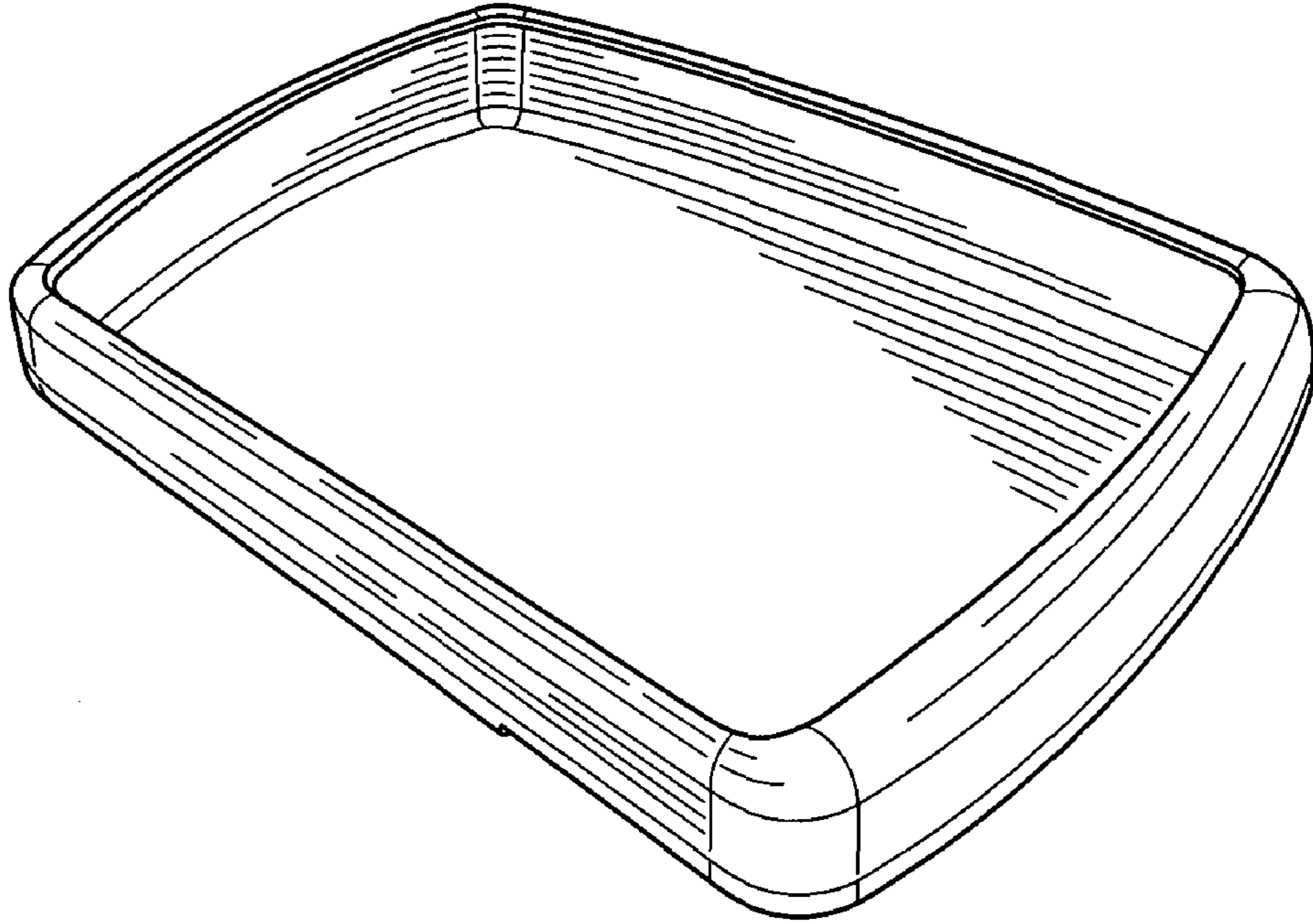
FIG. 6 is a perspective view thereof showing the rear panel, pocket and credit card; and,

FIG. 7 is a bottom side elevational view thereof.

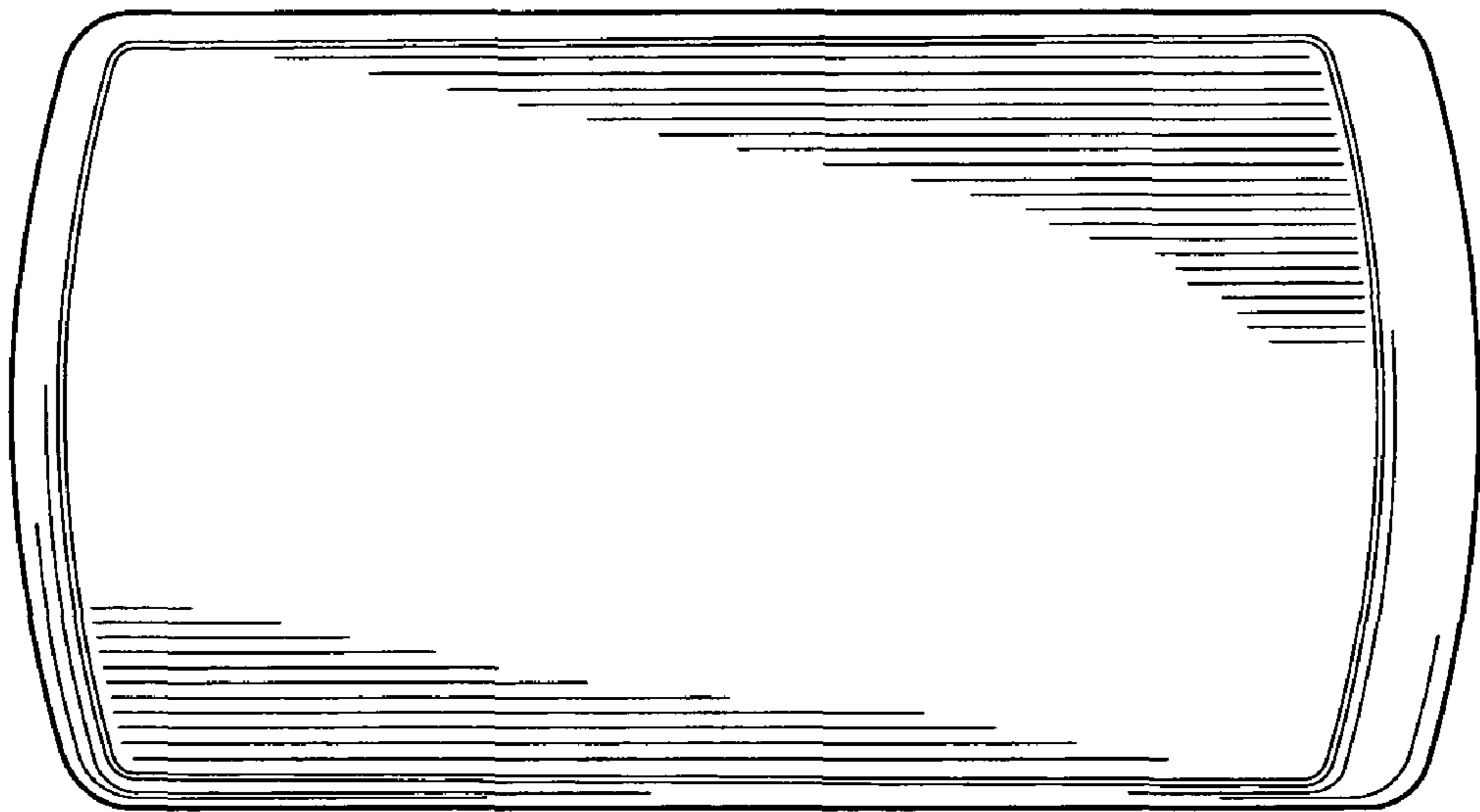
The broken line environmental structure is for illustrative purposes only and forms no part of the claimed design.

**1 Claim, 3 Drawing Sheets**

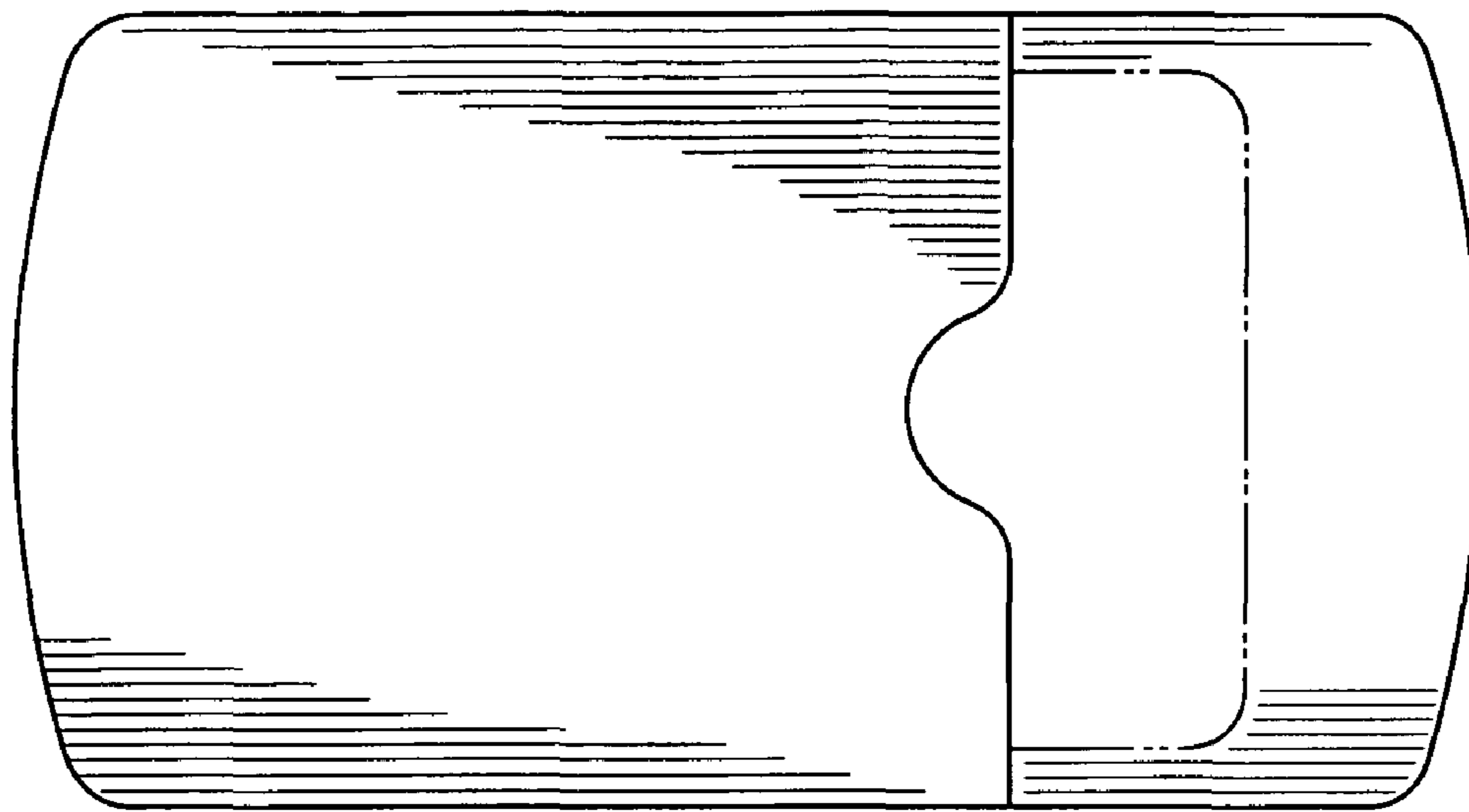




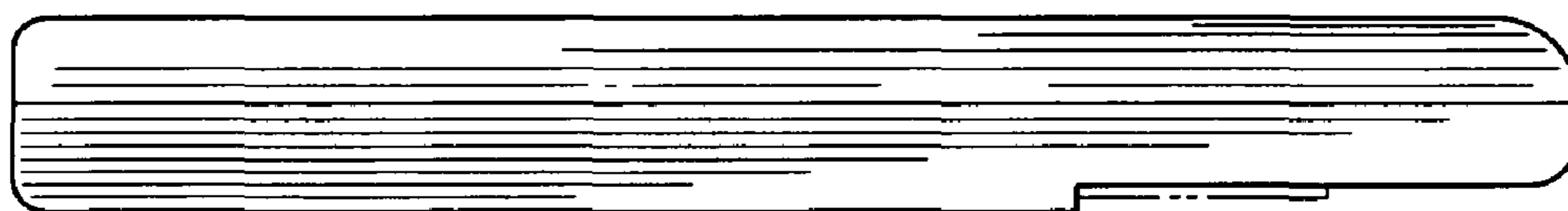
**FIG. 1**



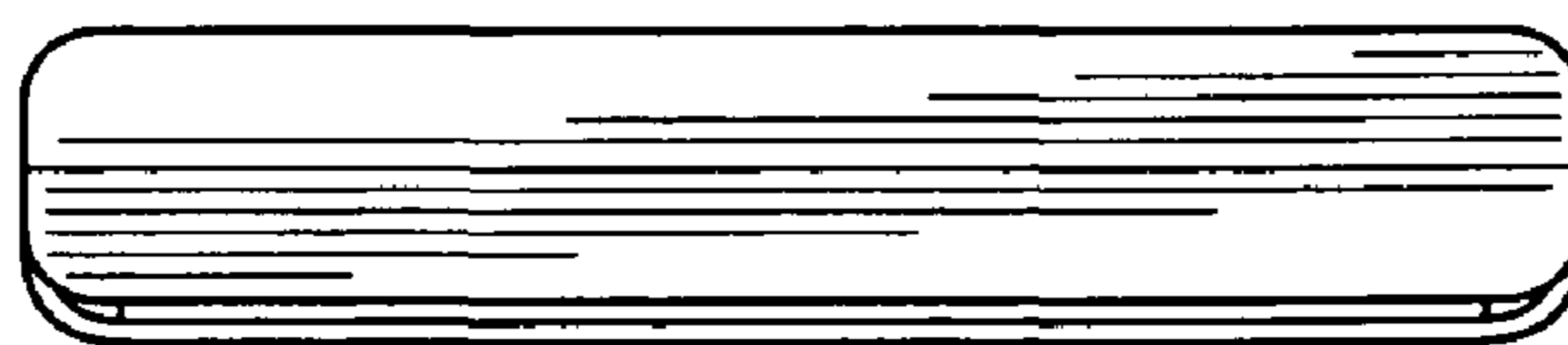
**FIG. 2**



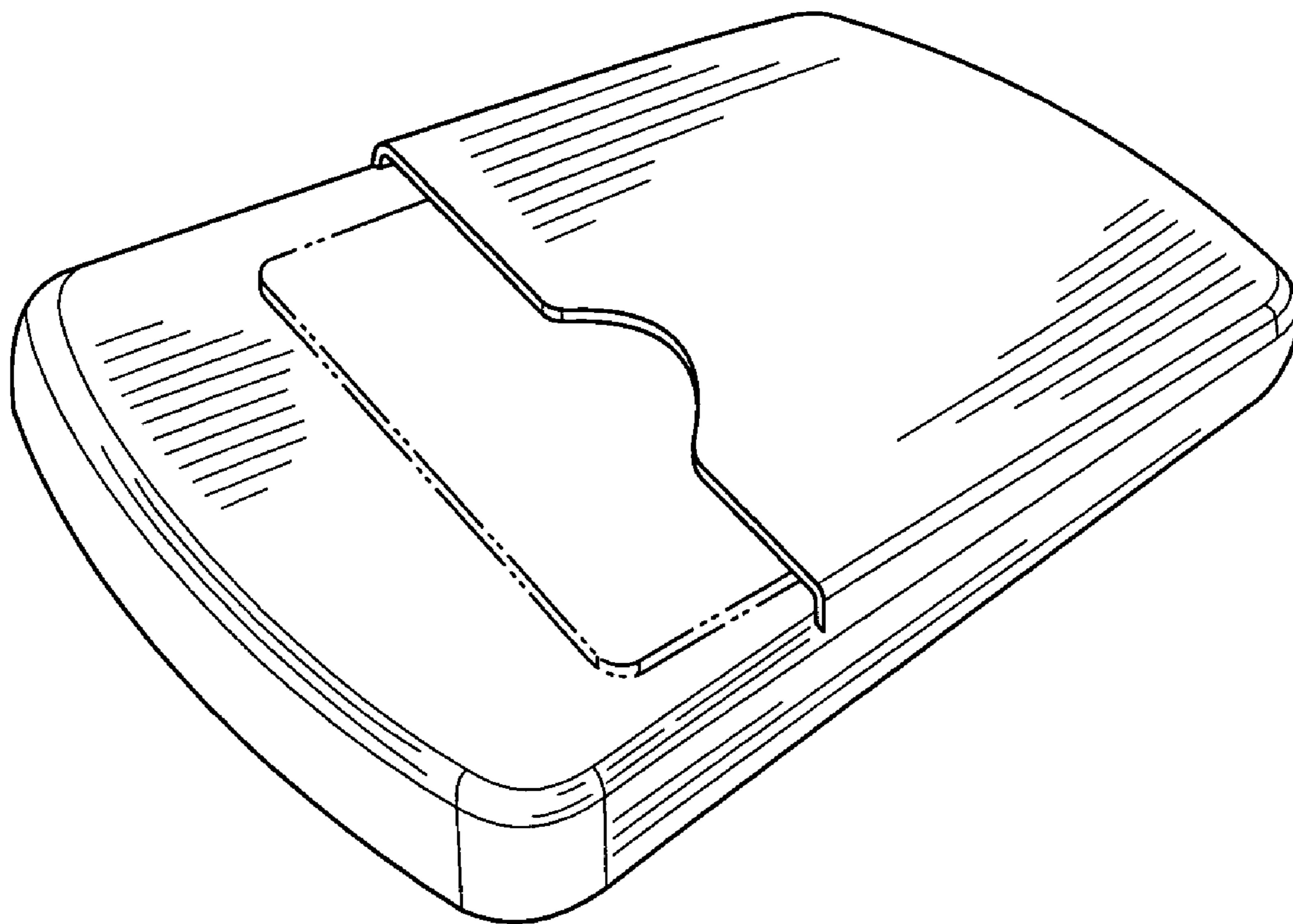
**FIG. 3**



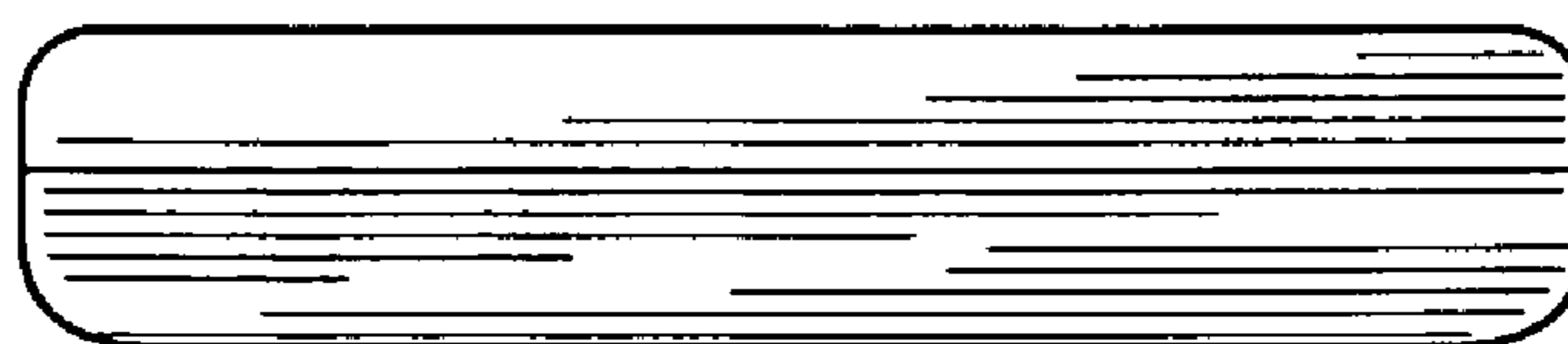
**FIG. 4**



**FIG. 5**



**FIG. 6**



**FIG. 7**