



US00D625914S

(12) **United States Design Patent**  
**Bertken**

(10) **Patent No.:** **US D625,914 S**

(45) **Date of Patent:** **\*\* Oct. 26, 2010**

(54) **GLOW KEY CHAIN**

D422,135 S \* 4/2000 Man ..... D3/209  
D551,441 S \* 9/2007 Bulgari ..... D3/207

(75) Inventor: **Dennis Bertken**, Solana Beach, CA  
(US)

\* cited by examiner

(73) Assignee: **Life+Gear, Inc.**, Solana Beach, CA (US)

*Primary Examiner*—Ralf Seifert

(\*\*) Term: **14 Years**

(74) *Attorney, Agent, or Firm*—Marger Johnson &  
McCollom, P.C.

(21) Appl. No.: **29/351,691**

(57) **CLAIM**

(22) Filed: **Dec. 9, 2009**

The ornamental design for a glow key chain, as shown and described.

(51) **LOC (9) Cl.** ..... **03-01**

(52) **U.S. Cl.** ..... **D3/209**

(58) **Field of Classification Search** ..... D11/1-2,  
D11/14, 26-29, 89-92, 44, 48, 81, 99; 63/26-28,  
63/32; D3/207-212; D8/38; 70/456 B;  
206/37.1

See application file for complete search history.

**DESCRIPTION**

FIG. 1 is a perspective view of the glow key chain according to the present design;

FIG. 2 is a left side elevation view of the design of FIG. 1.

FIG. 3 is a right side elevation of the design of FIG. 1.

FIG. 4 is a top plan view of the design of FIG. 1;

FIG. 5 is a bottom plan view of the design of FIG. 1;

FIG. 6 is a front elevation view of the design of FIG. 1; and,

FIG. 7 is a rear elevation view of the design of FIG. 1.

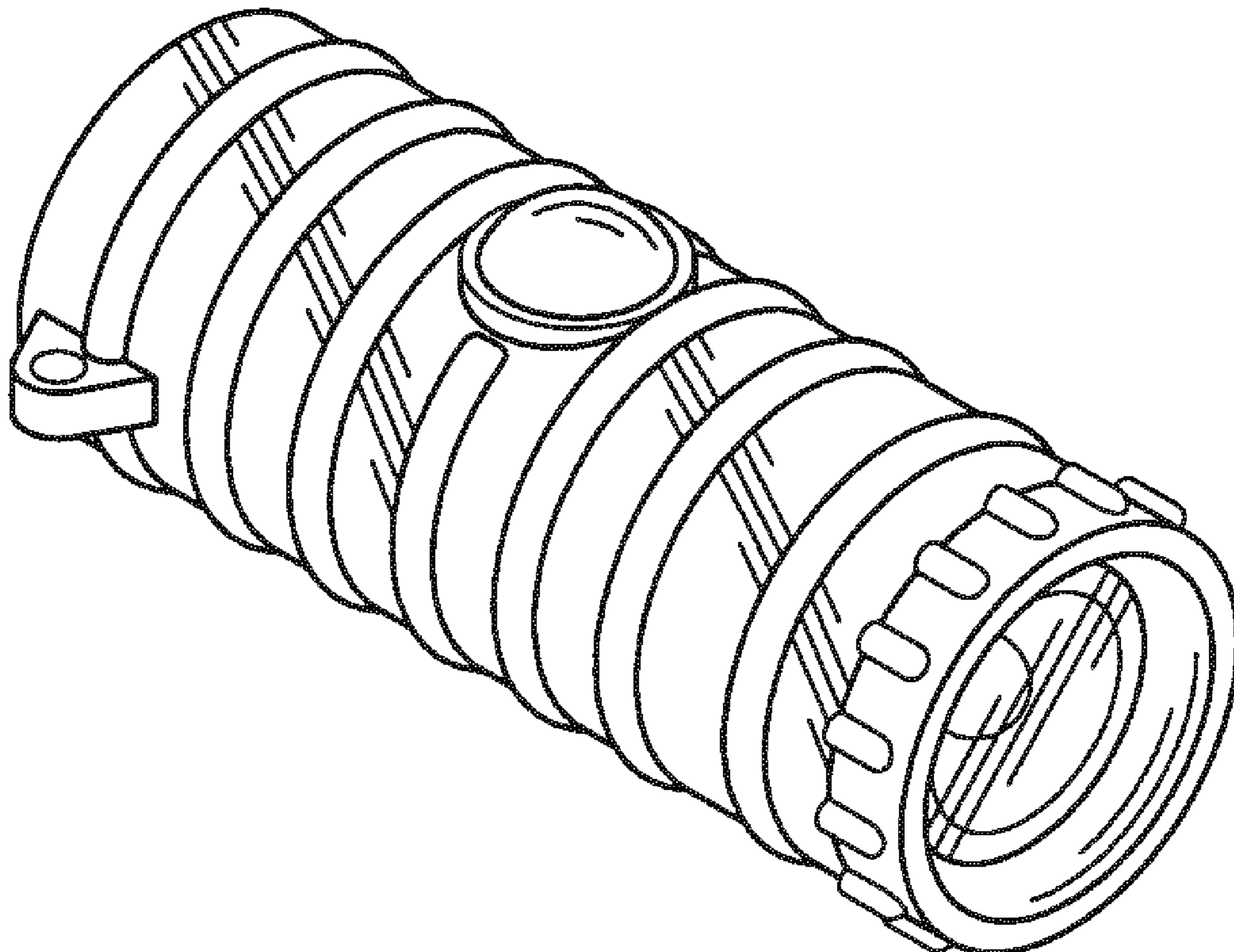
The broken lines in FIGS. 6 and 7 are included for the purpose of illustrating portions of the glow key ring that form no part of the claimed design.

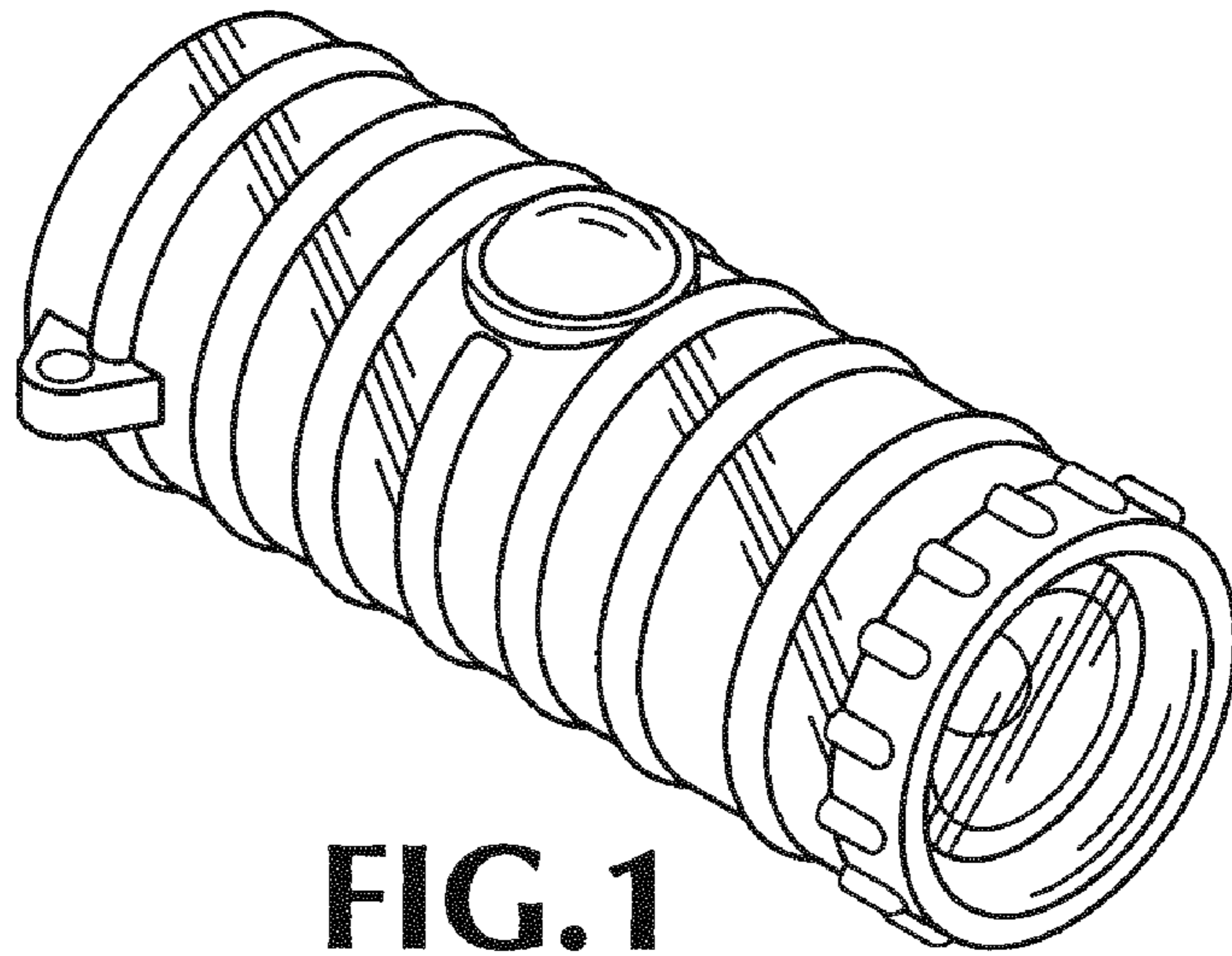
(56) **References Cited**

**U.S. PATENT DOCUMENTS**

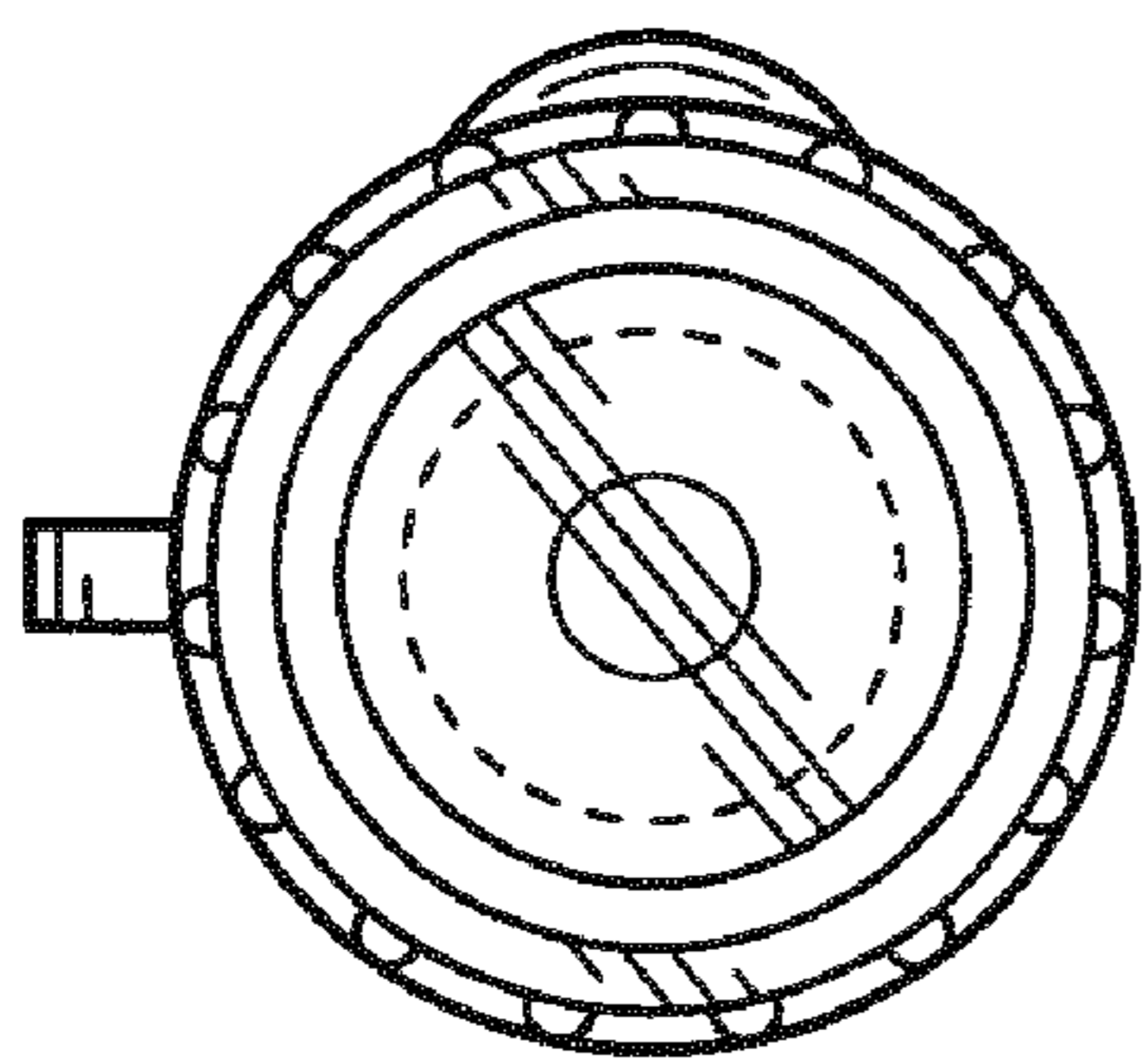
D80,207 S \* 12/1929 Wolf ..... D11/87  
D114,210 S \* 4/1939 Florman ..... D3/209  
D257,572 S \* 12/1980 Wefler ..... D3/208  
D278,609 S \* 4/1985 Satterelli ..... D11/2  
D337,339 S \* 7/1993 An ..... D16/130  
D404,155 S \* 1/1999 Maddox ..... D26/37

**1 Claim, 2 Drawing Sheets**

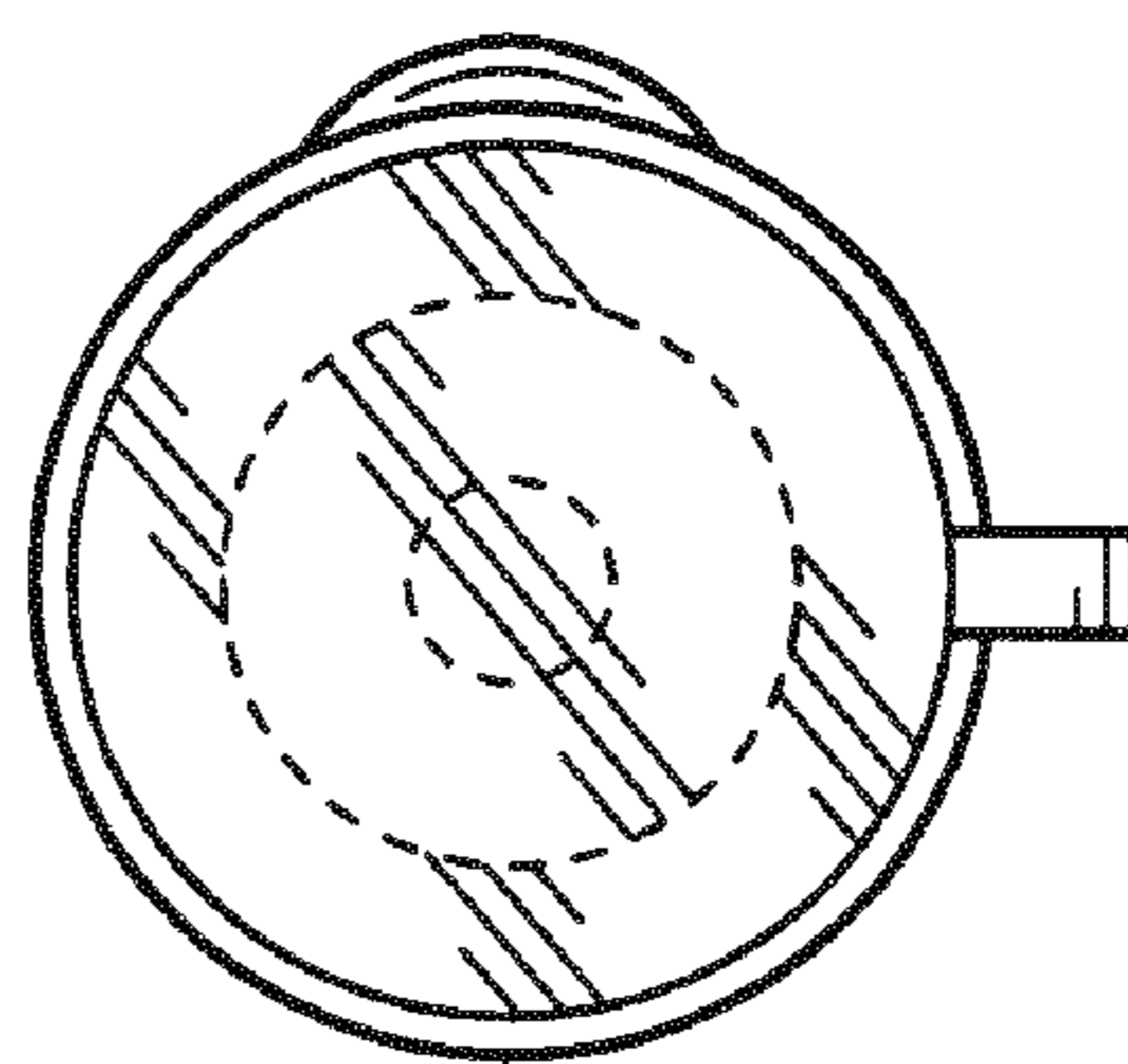




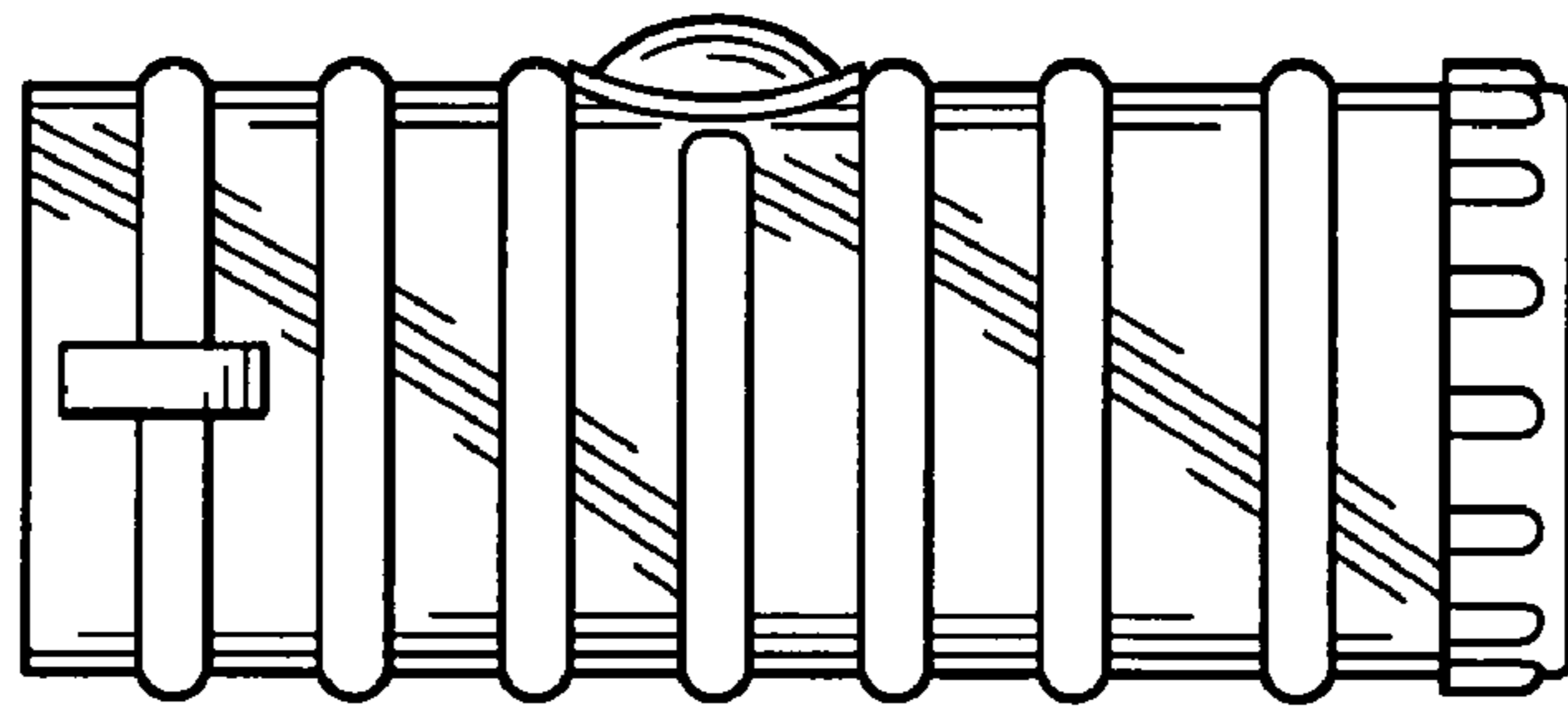
**FIG. 1**



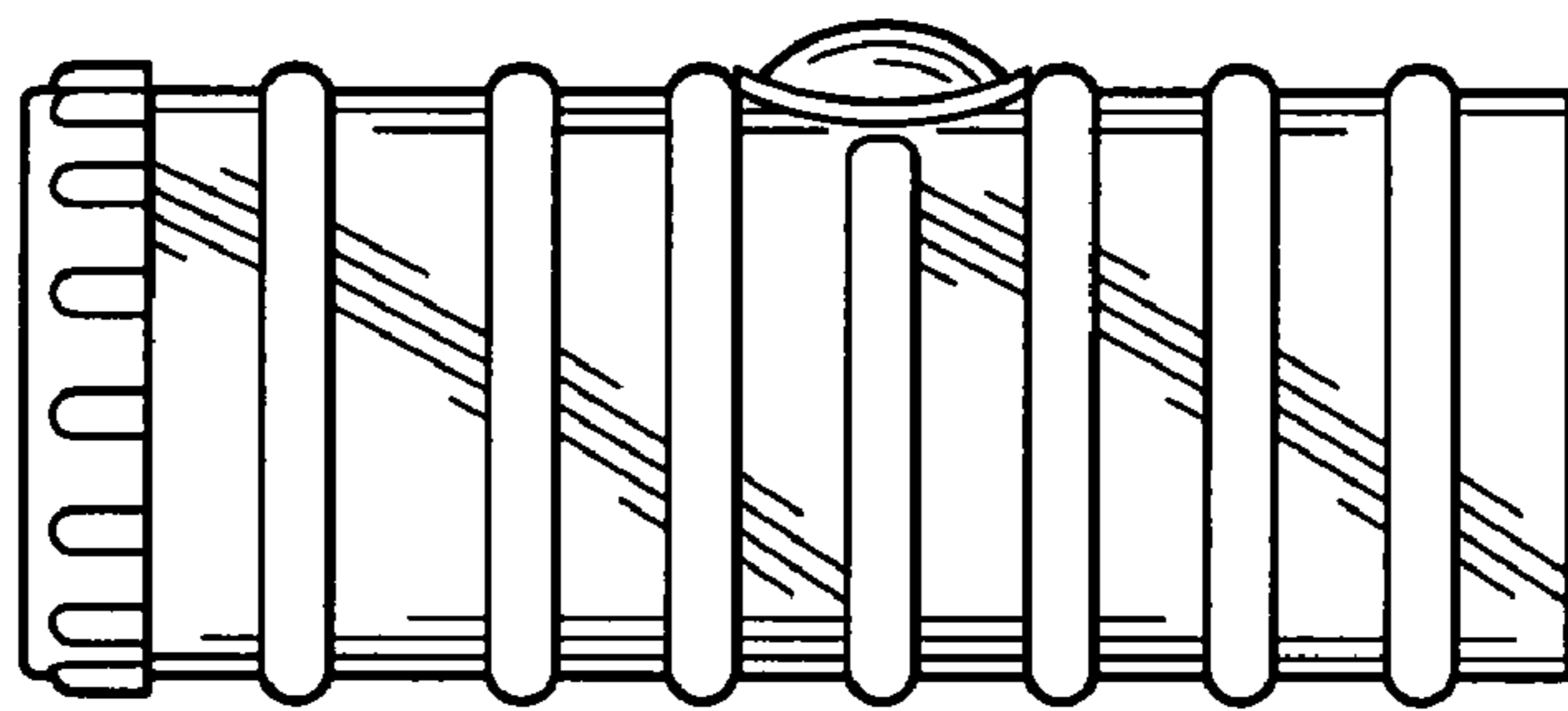
**FIG. 6**



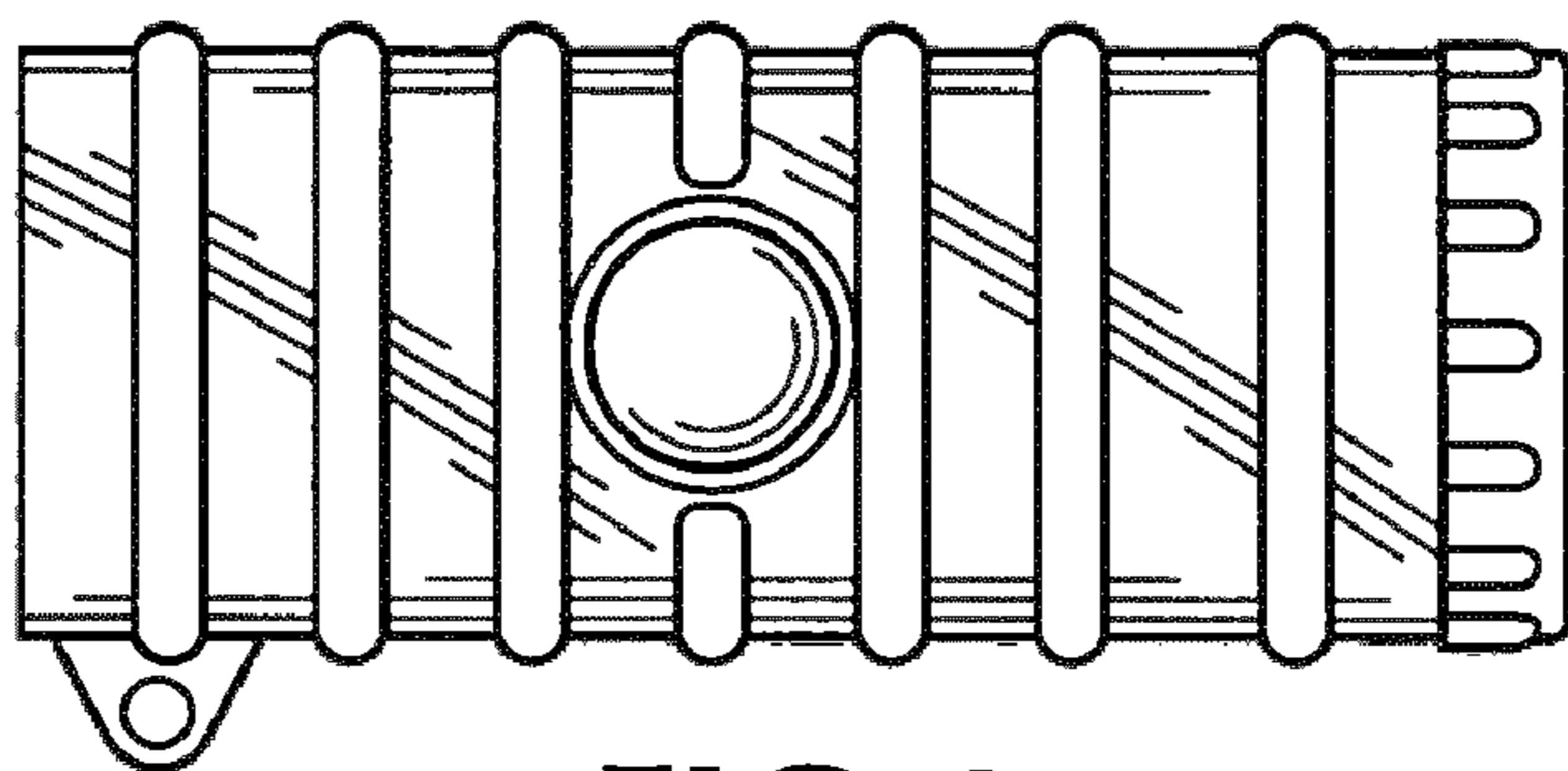
**FIG. 7**



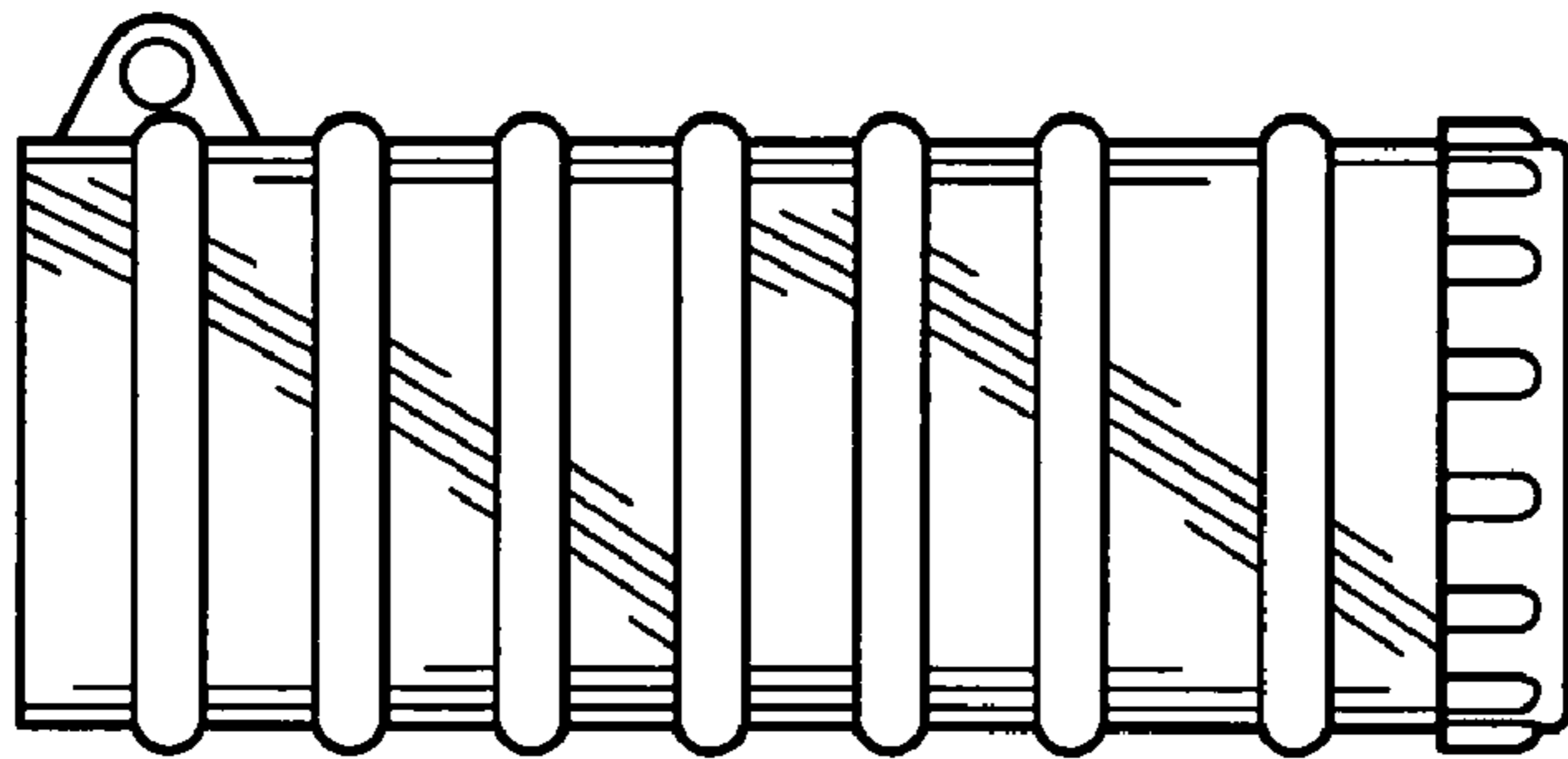
**FIG. 2**



**FIG. 3**



**FIG. 4**



**FIG. 5**