



US00D625911S

(12) **United States Design Patent**
Lee et al.

(10) **Patent No.:** **US D625,911 S**
(45) **Date of Patent:** **** Oct. 26, 2010**

(54) **COMBINED PILL CONTAINER AND REVERSIBLE LID**

7,571,826 B2 * 8/2009 Miceli et al. 215/228
* cited by examiner

(75) Inventors: **Jonathan Lee**, Milford, CT (US); **James E. McCay**, Fairfield, CT (US); **Javier Verdura**, Milford, CT (US)

Primary Examiner—Catherine R Oliver
(74) *Attorney, Agent, or Firm*—Novartis & Anderson, LLC

(73) Assignee: **Novartis AG**, Basel (CH)

(57) **CLAIM**

(**) Term: **14 Years**

The ornamental design for a combined pill container and reversible lid, as shown and described.

(21) Appl. No.: **29/331,527**

DESCRIPTION

(22) Filed: **Jan. 27, 2009**

FIG. 1 is a perspective view of a combined pill container and lid, with the lid in the first of two reversible orientations, showing our new design;

(51) **LOC (9) Cl.** **03-01**

(52) **U.S. Cl.** **D3/203.2**

FIG. 2 is a perspective view of a combined pill container and lid, with the lid in the second orientation;

(58) **Field of Classification Search** D3/203.2,
D3/203.1; D9/424, 549, 529, 573, 500, 516,
D9/530, 563, 565; 206/528–540; 215/201,
215/208, 214, 222, 225, 228, 321, 332
See application file for complete search history.

FIG. 3 is a top plan view of the combined pill container and lid of FIG. 2;

FIG. 4 is a right side elevation view of the combined pill container and lid of FIG. 2; and,

FIG. 5 is a front side elevation view of the combined pill container and lid of FIG. 2.

(56) **References Cited**

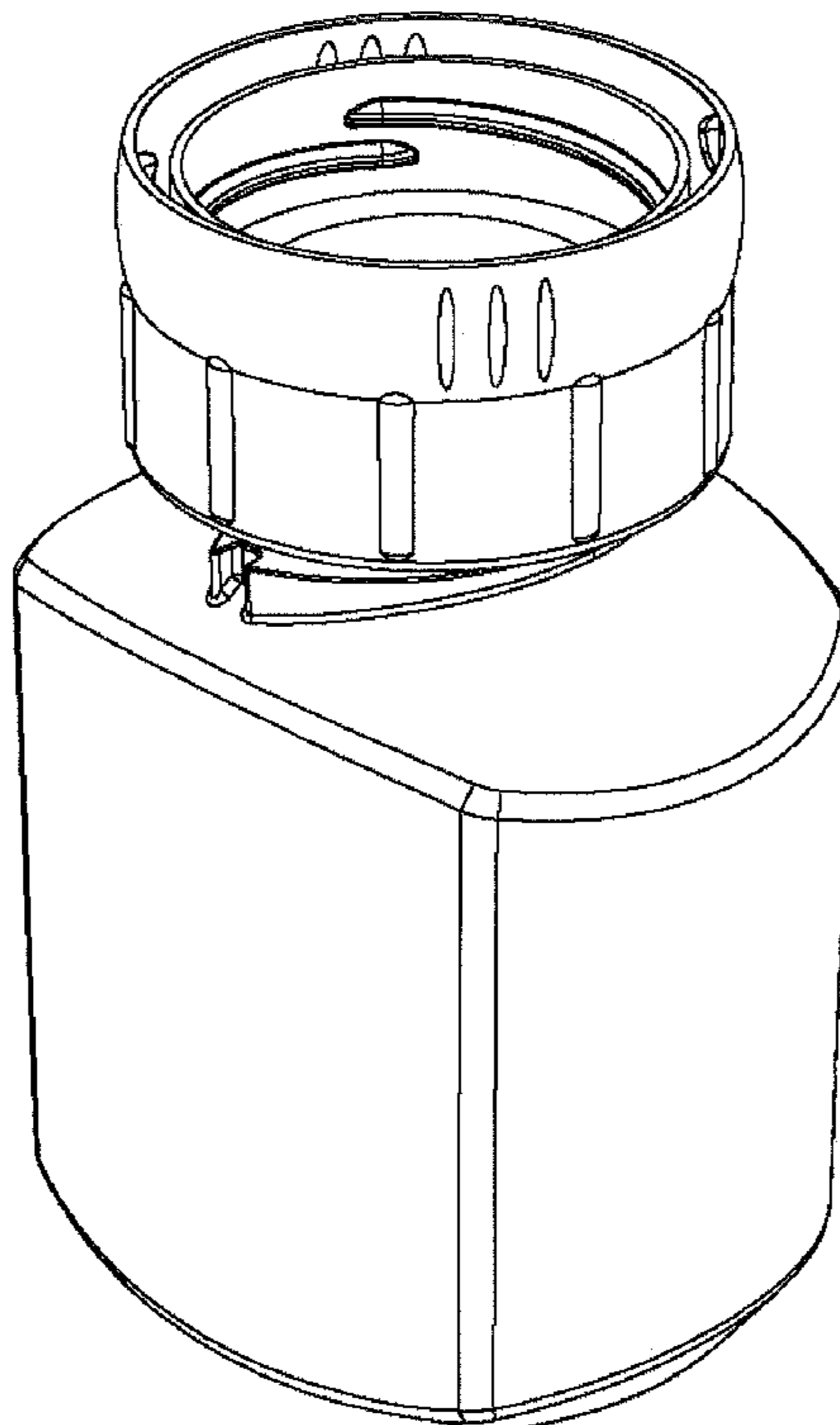
U.S. PATENT DOCUMENTS

3,757,979 A * 9/1973 Berghahn 215/225
3,863,804 A * 2/1975 Infante-Diaz et al. 206/539
D523,755 S * 6/2006 Considine et al. D9/560

A left side and back side view are not included because these are mirror images of the right side view and front side view respectively.

The bottom is not shown and has no ornamental features.

1 Claim, 5 Drawing Sheets



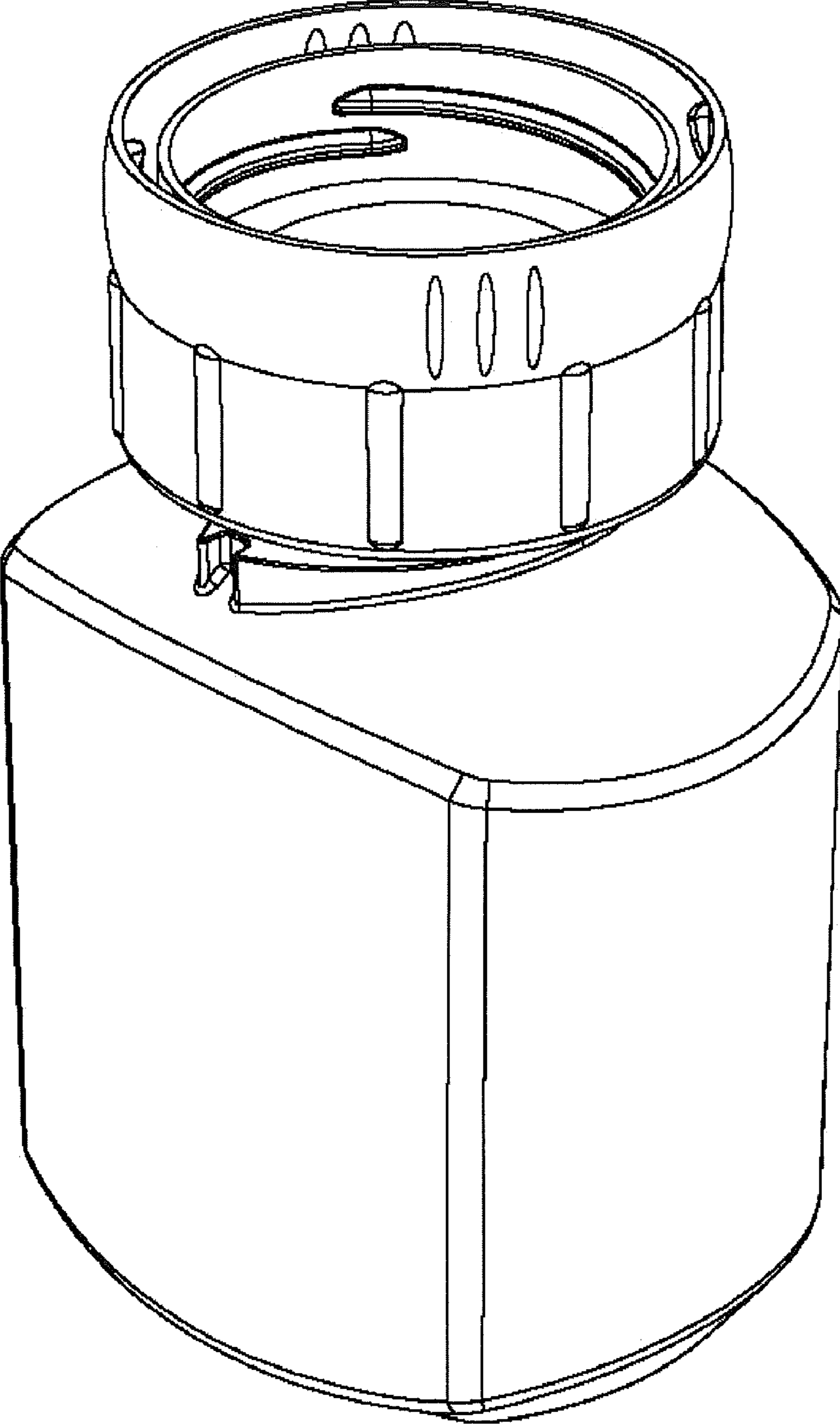


FIG. 1

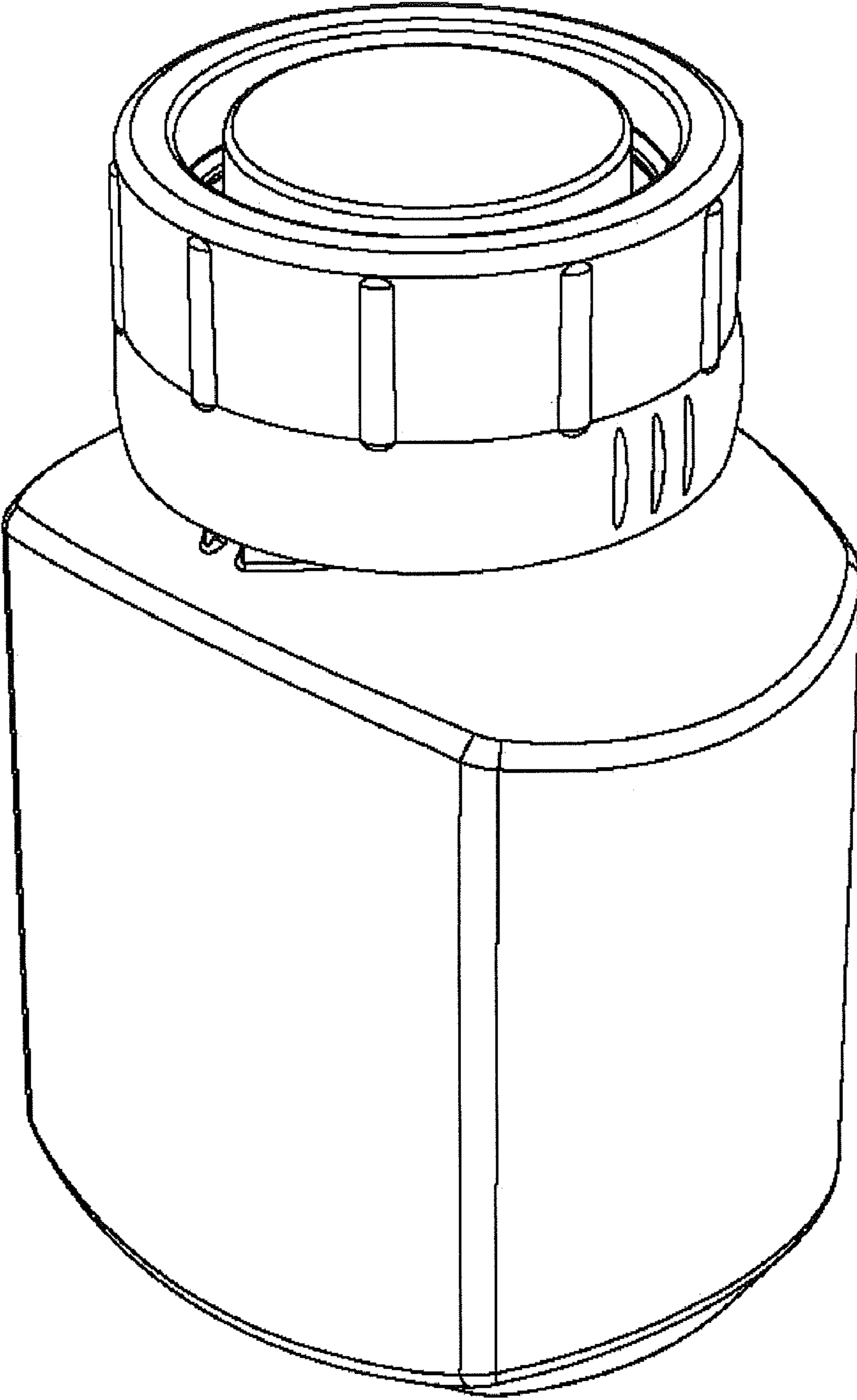


FIG. 2

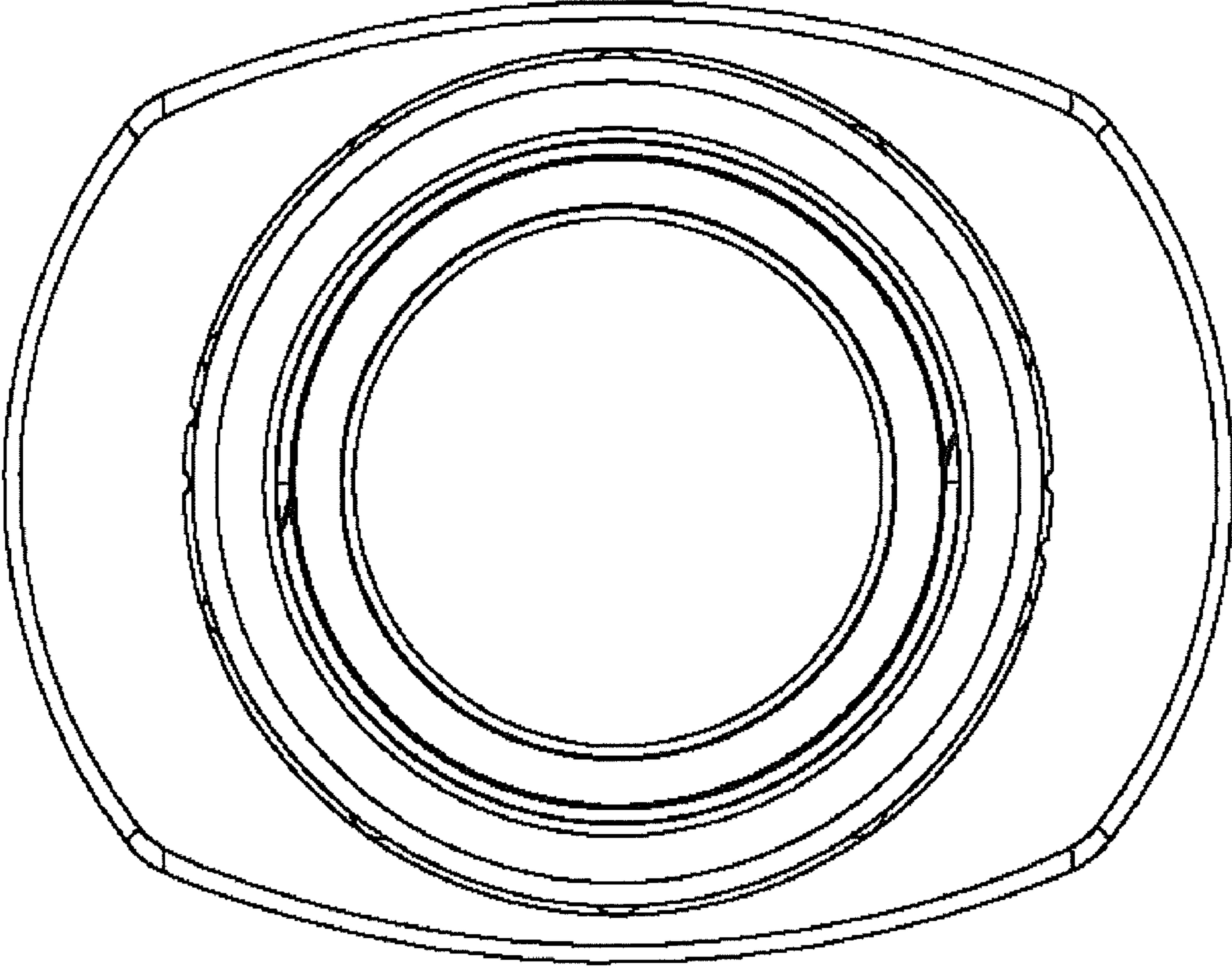


FIG. 3

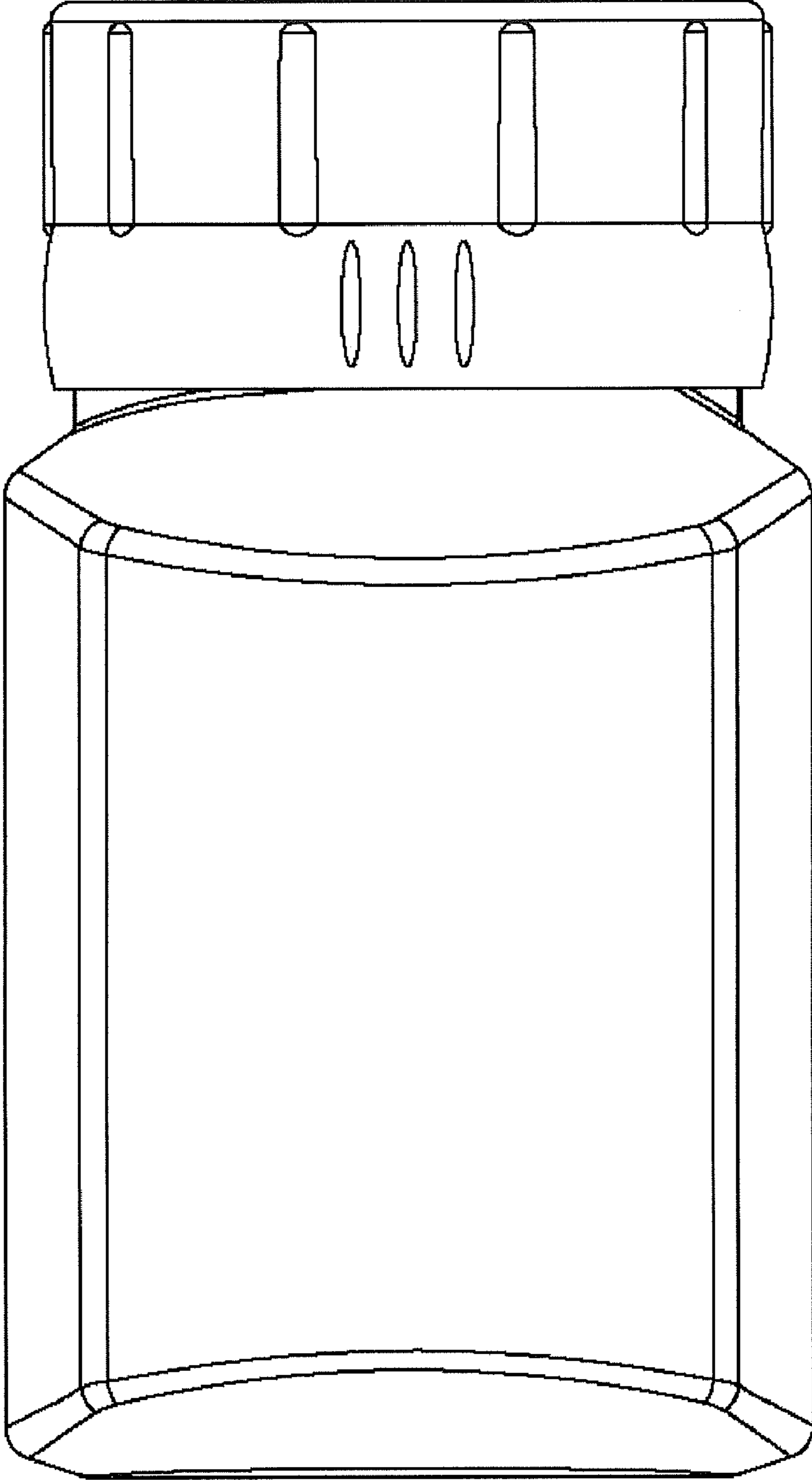


FIG. 4

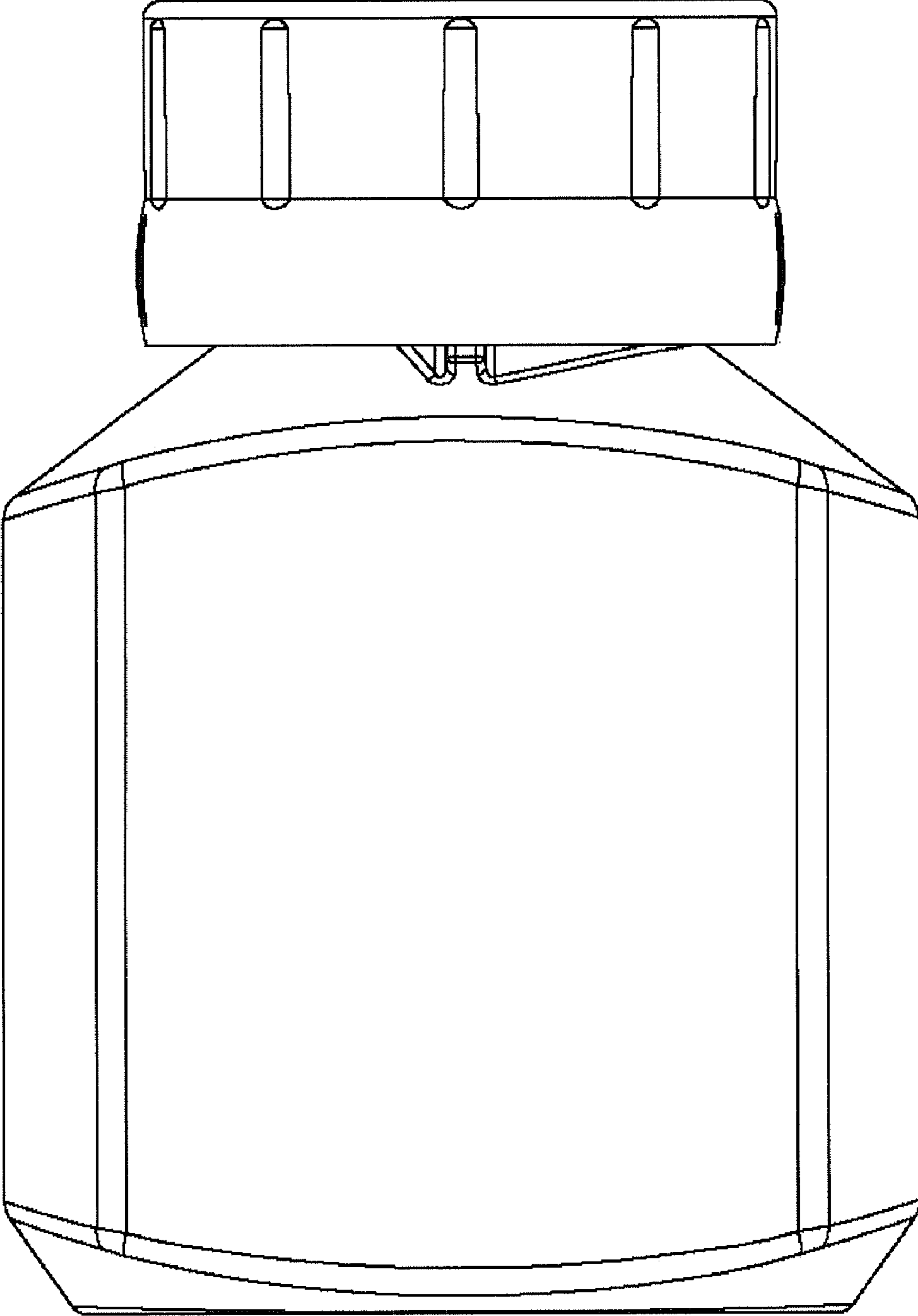


FIG. 5