



US00D625894S

(12) **United States Design Patent**
Armer

(10) **Patent No.:** **US D625,894 S**
(45) **Date of Patent:** **** Oct. 19, 2010**

(54) **DISH STORAGE CART**

(75) Inventor: **Mark A. Armer**, West Hills, CA (US)

(73) Assignee: **Cambro Manufacturing Co.**,
Huntington Beach, CA (US)

(**) Term: **14 Years**

(21) Appl. No.: **29/334,391**

(22) Filed: **Mar. 25, 2009**

(51) **LOC (9) Cl.** **12-02**

(52) **U.S. Cl.** **D34/14; D34/17; D34/21**

(58) **Field of Classification Search** **D34/12-27;**
280/79.11, 79.3, 79.2; 211/49.1, 41

See application file for complete search history.

(56) **References Cited**

U.S. PATENT DOCUMENTS

3,376,046	A *	4/1968	Kivett et al.	280/33.998
D251,968	S *	5/1979	Tucky	D34/19
D295,097	S *	4/1988	Cohn et al.	D34/14
D314,216	S *	1/1991	Banko et al.	D34/17
D324,703	S *	3/1992	Banko et al.	D34/17
D327,555	S *	6/1992	Juergens	D34/1
5,246,286	A *	9/1993	Huebschen et al.	312/263
5,263,701	A *	11/1993	Kleinhen	271/145

D353,927	S *	12/1994	Maddux	D34/21
D362,102	S *	9/1995	Campbell et al.	D34/19
D404,872	S *	1/1999	Tucker	D34/19
D423,171	S *	4/2000	Alcala et al.	D34/19
D524,007	S *	6/2006	Palmer	D34/19
7,293,785	B2 *	11/2007	Bush et al.	280/47.34
D563,620	S *	3/2008	Dong	D34/19
7,562,897	B1 *	7/2009	Sherman et al.	280/651

* cited by examiner

Primary Examiner—Cynthia E Ramirez

(74) *Attorney, Agent, or Firm*—George F. Bethel

(57) **CLAIM**

I claim the ornamental design for a dish storage cart, as shown and described.

DESCRIPTION

FIG. 1 shows a top perspective view of the dish storage cart.

FIG. 2 shows a front elevation view of the cart.

FIG. 3 shows a left side elevation view of the cart.

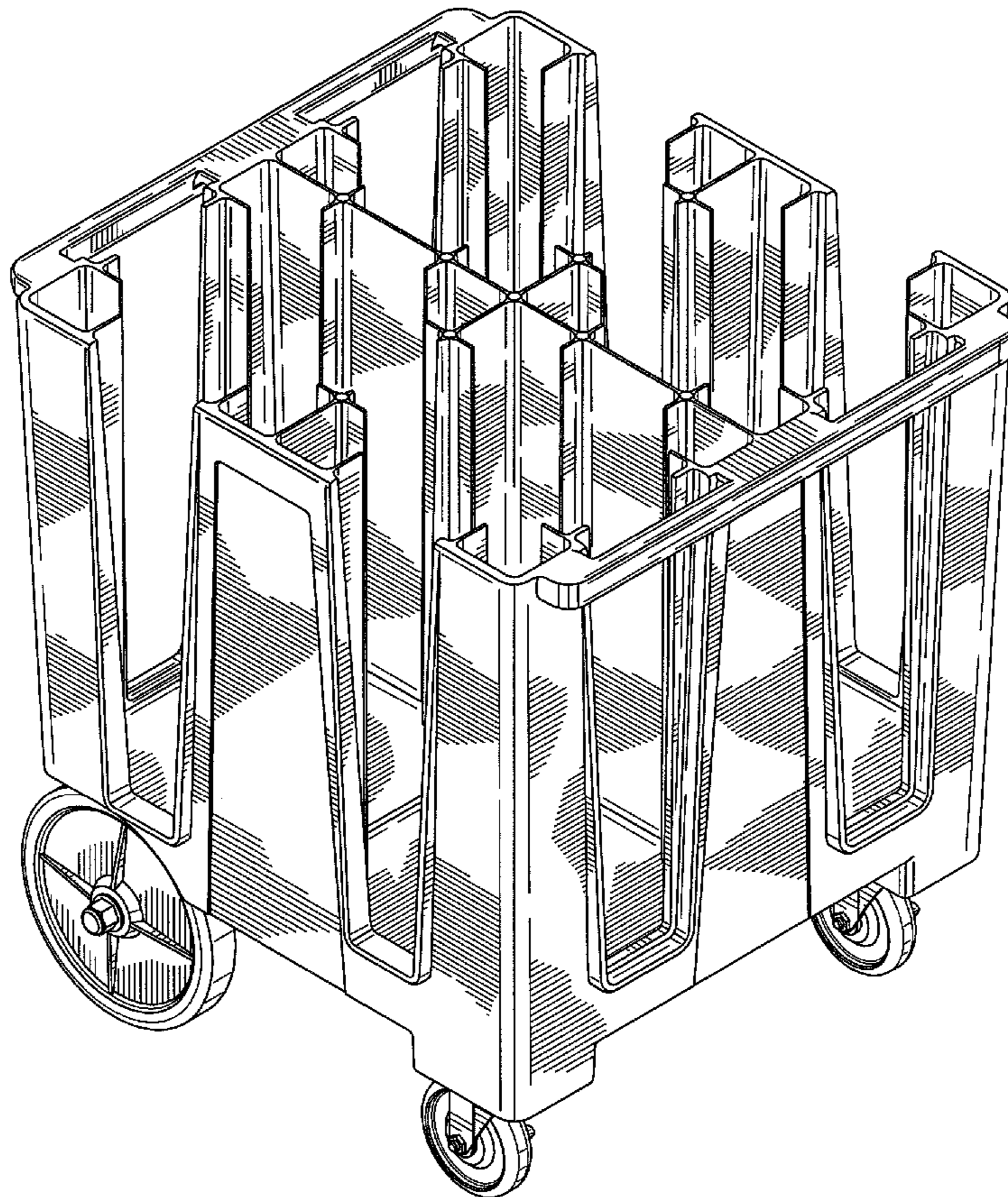
FIG. 4 shows a top plan view of the cart.

FIG. 5 shows a right side elevation view of the cart.

FIG. 6 shows a rear elevation view of the cart; and,

FIG. 7 shows a bottom plan view of the cart.

1 Claim, 7 Drawing Sheets



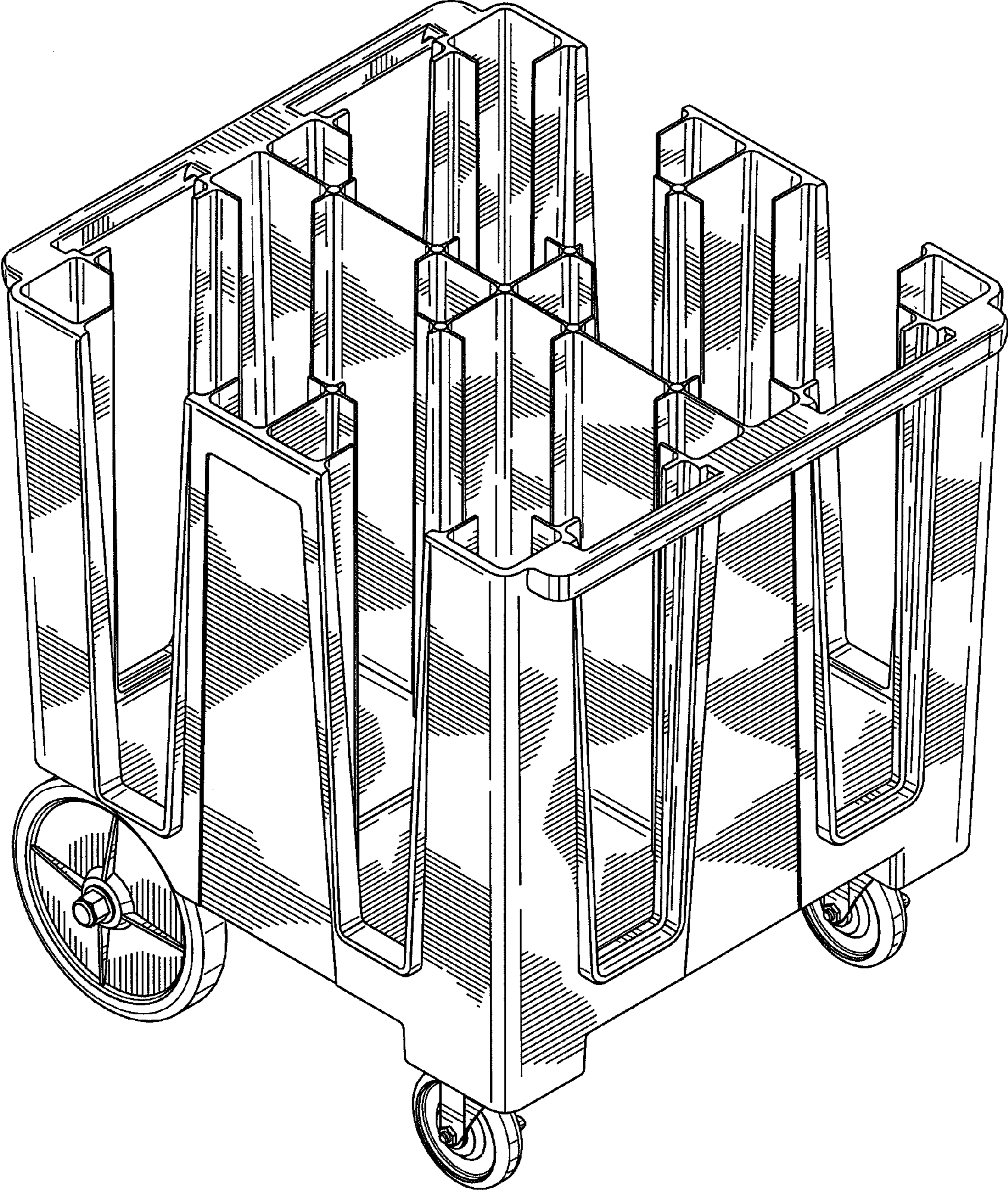


FIG. 1

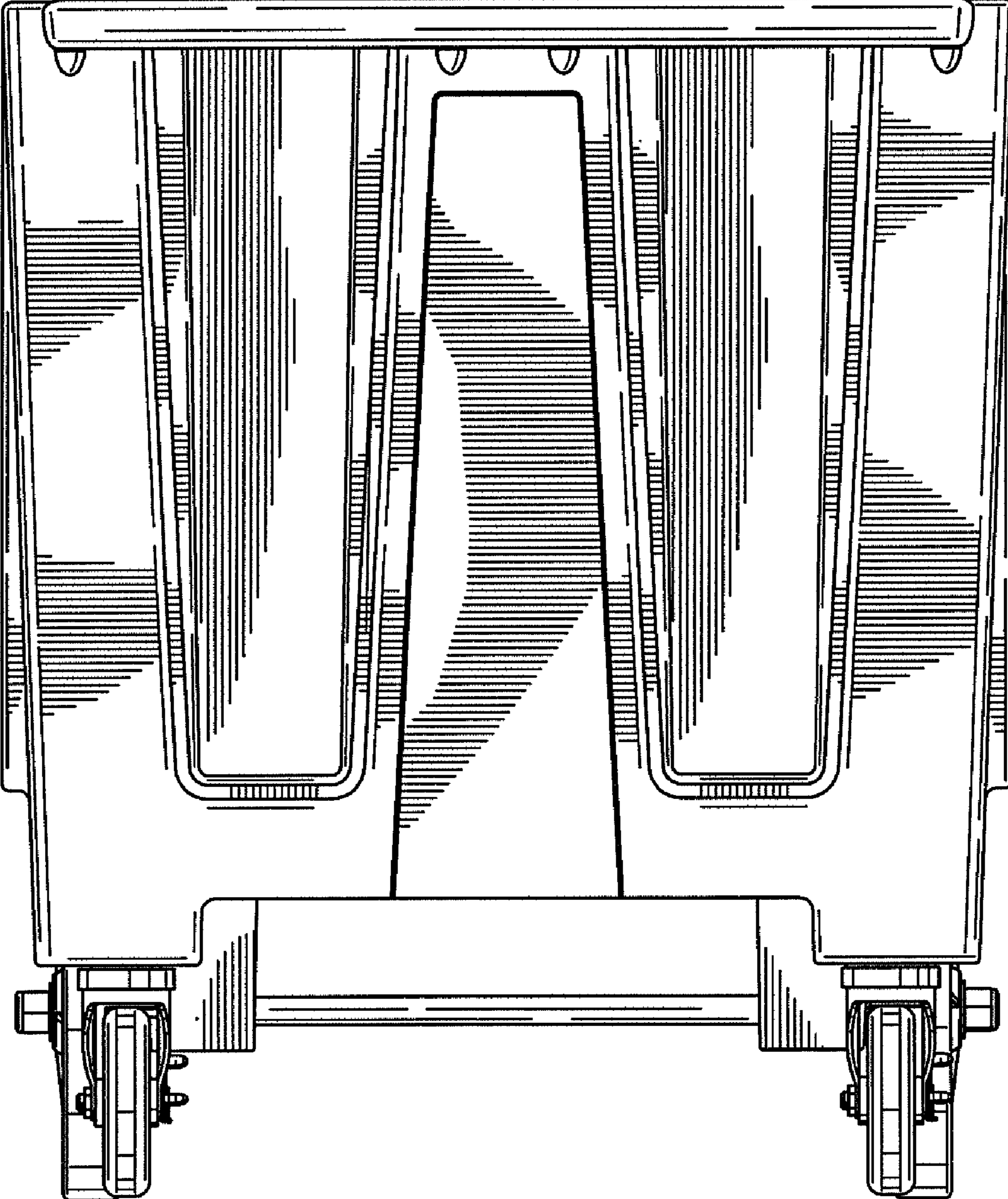


FIG. 2

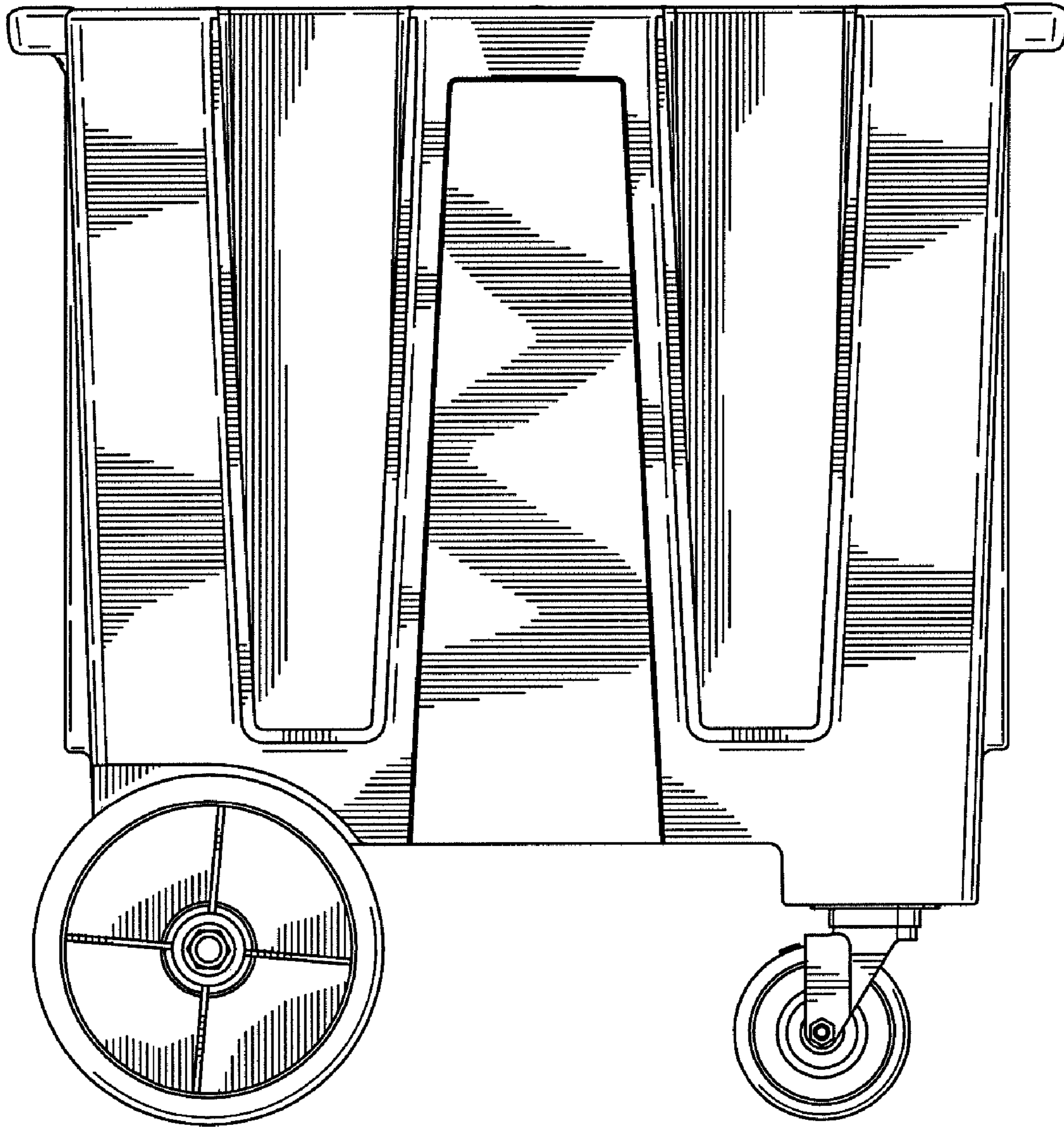


FIG. 3

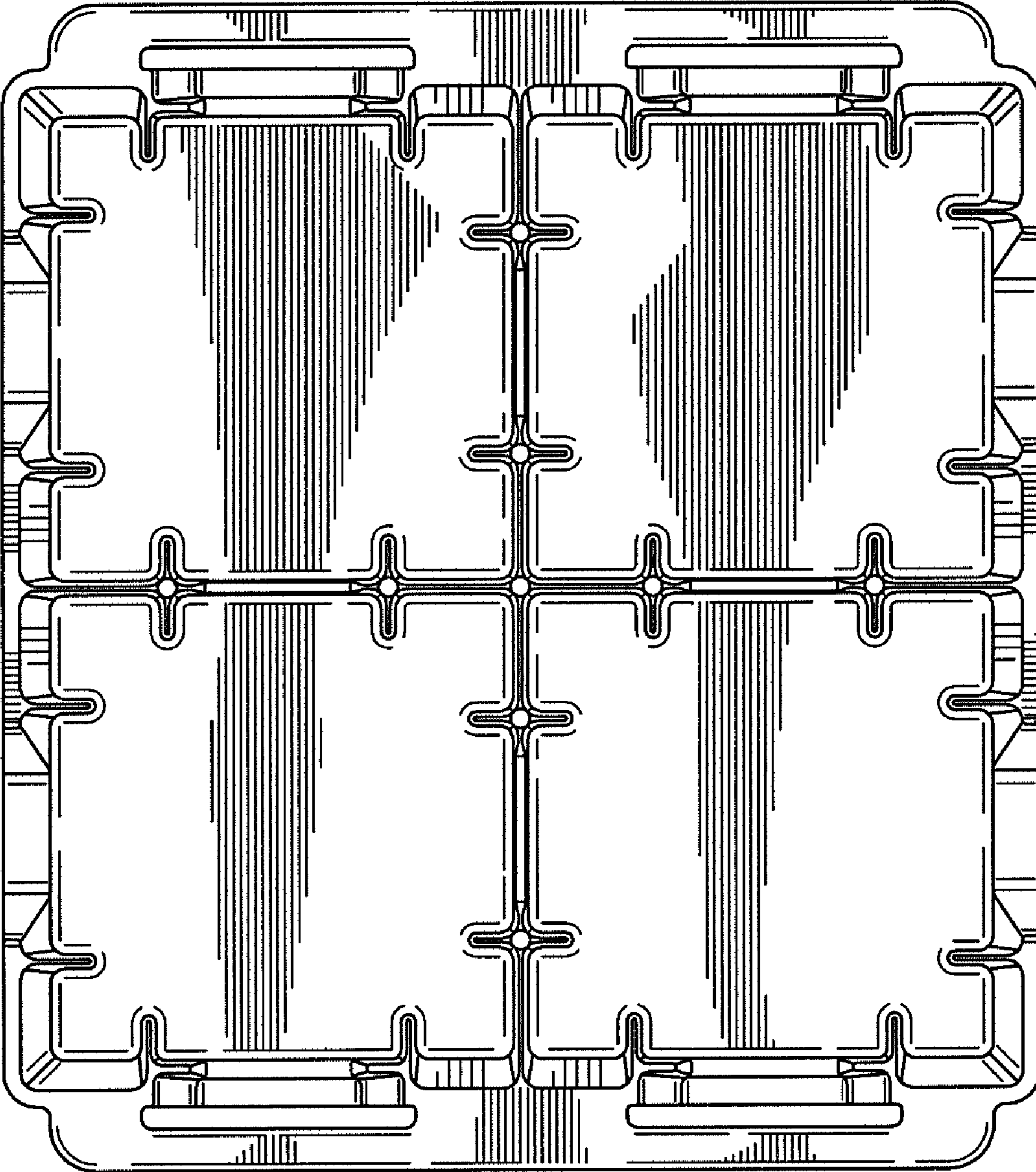


FIG. 4

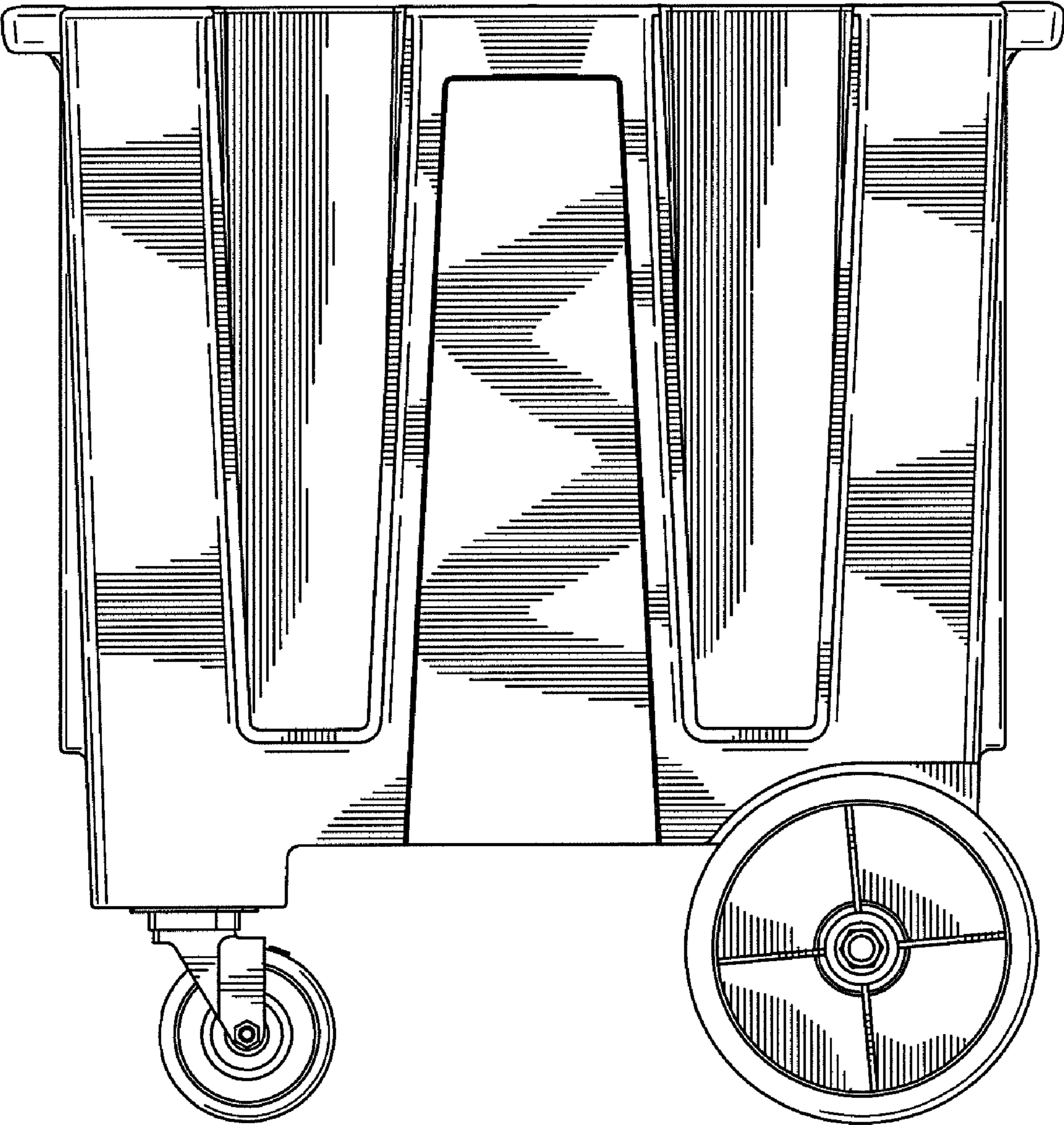


FIG. 5

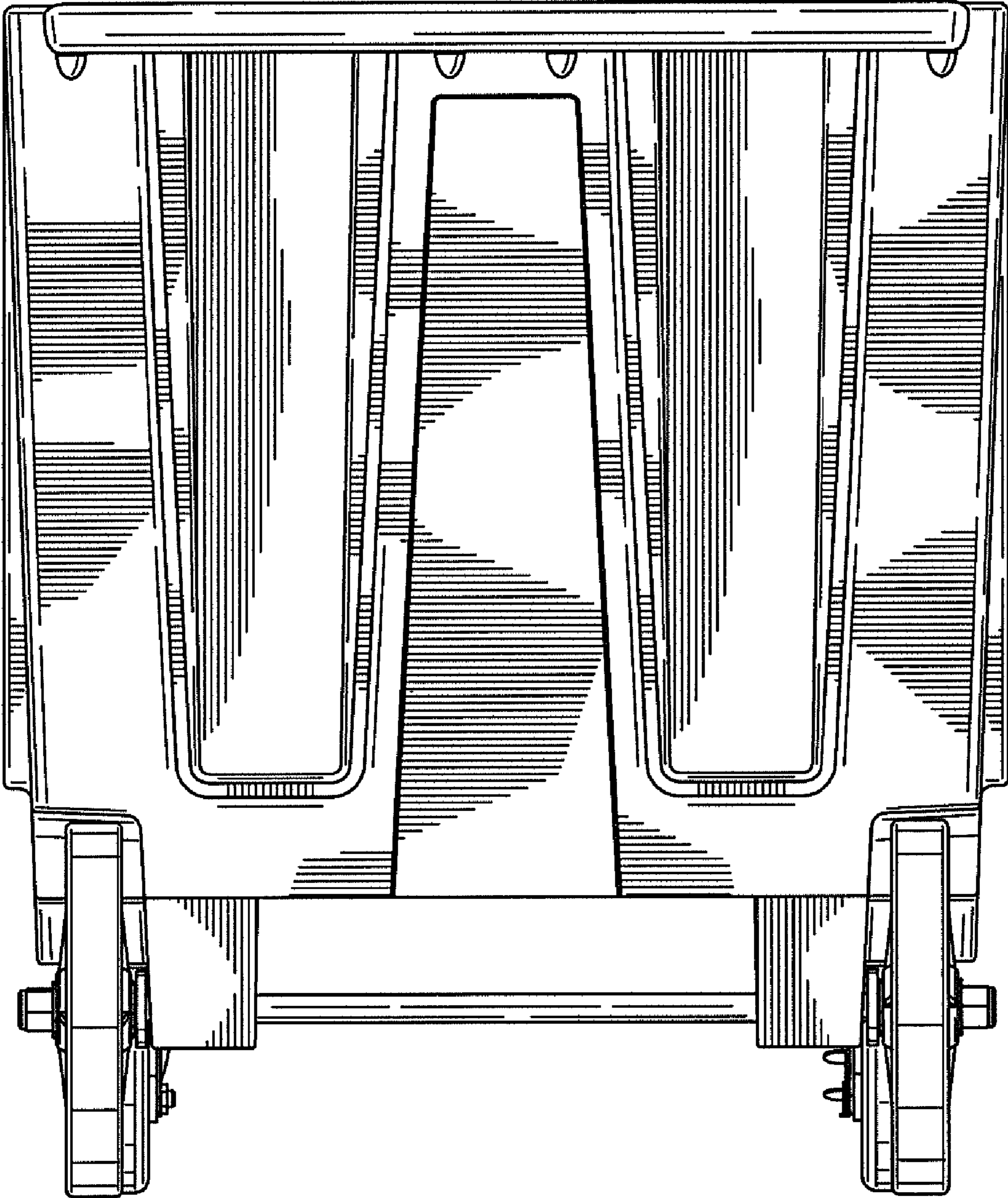


FIG. 6

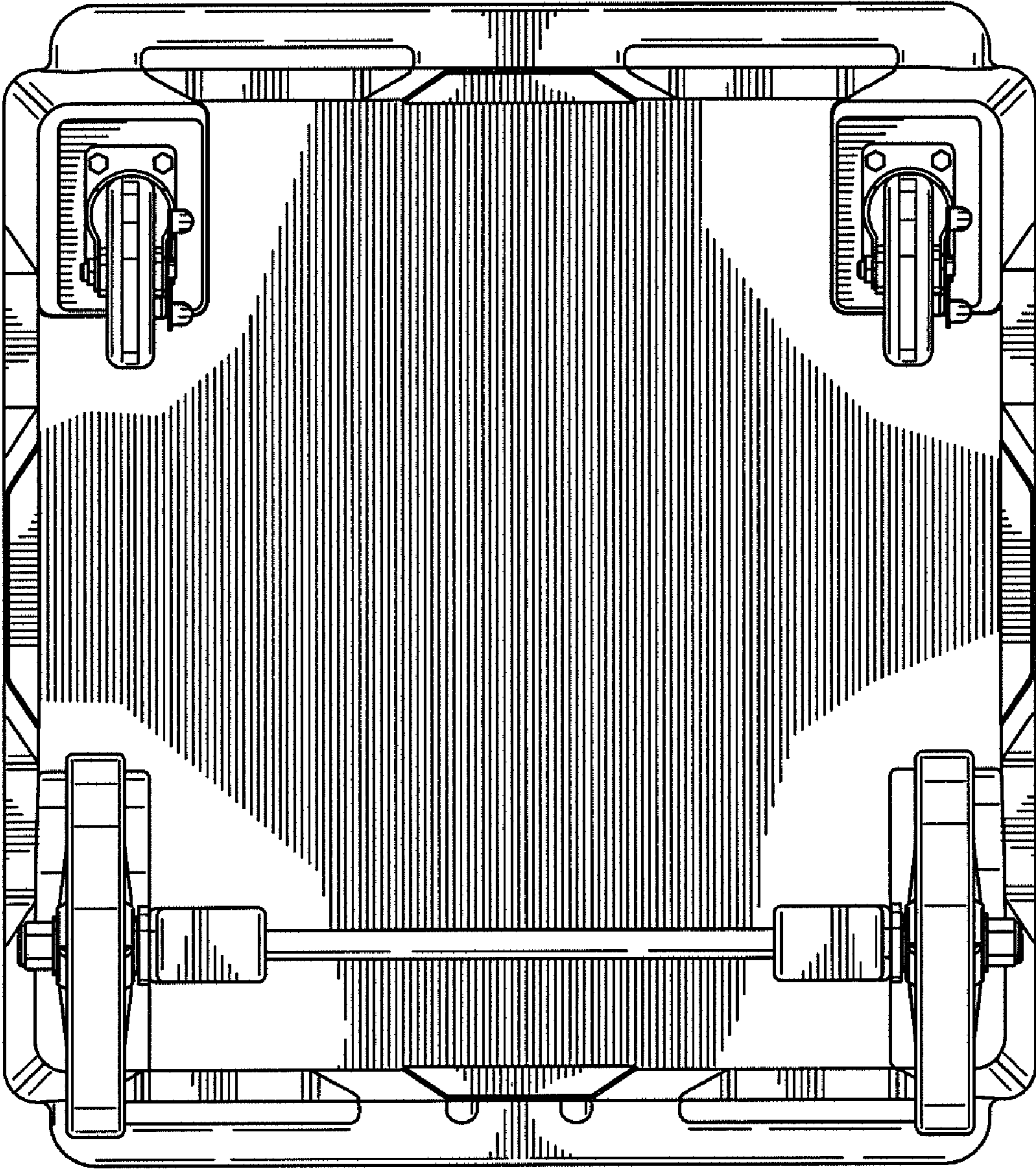


FIG. 7