



US00D625893S

(12) **United States Design Patent**  
**Larin**

(10) **Patent No.:** **US D625,893 S**

(45) **Date of Patent:** **\*\* Oct. 19, 2010**

(54) **SHALLOW BOTTOM TRASH CONTAINER**

(76) Inventor: **Benoit Larin**, 10, Anderson,  
Salaberry-de-Valleyfield, Quebec (CA)  
J8S 1X1

(\*\*) Term: **14 Years**

(21) Appl. No.: **29/354,071**

(22) Filed: **Jan. 19, 2010**

(51) **LOC (9) Cl.** ..... **09-09**

(52) **U.S. Cl.** ..... **D34/1**

(58) **Field of Classification Search** ..... D34/1,  
D34/4, 5, 6, 7, 8; 220/908-913, 675, 669,  
220/254.5; 414/422; 294/68.1, 68.2, 68.26  
See application file for complete search history.

(56) **References Cited**

**U.S. PATENT DOCUMENTS**

4,335,828	A *	6/1982	Robinson et al. ....	220/826
D327,555	S *	6/1992	Juergens ..... ..	D34/1
5,183,180	A *	2/1993	Hawkins et al. ....	294/68.1
5,967,361	A *	10/1999	Darnell ..... ..	220/623
D517,265	S *	3/2006	Berres et al. ....	D34/3
D549,849	S *	8/2007	Koeda et al. ....	D25/119

D555,861	S *	11/2007	Larin ..... ..	D34/1
D564,168	S *	3/2008	Larin ..... ..	D34/3
D604,921	S *	11/2009	Presnell ..... ..	D34/1
D620,218	S *	7/2010	Larin ..... ..	D34/1

\* cited by examiner

*Primary Examiner*—Cynthia E Ramirez

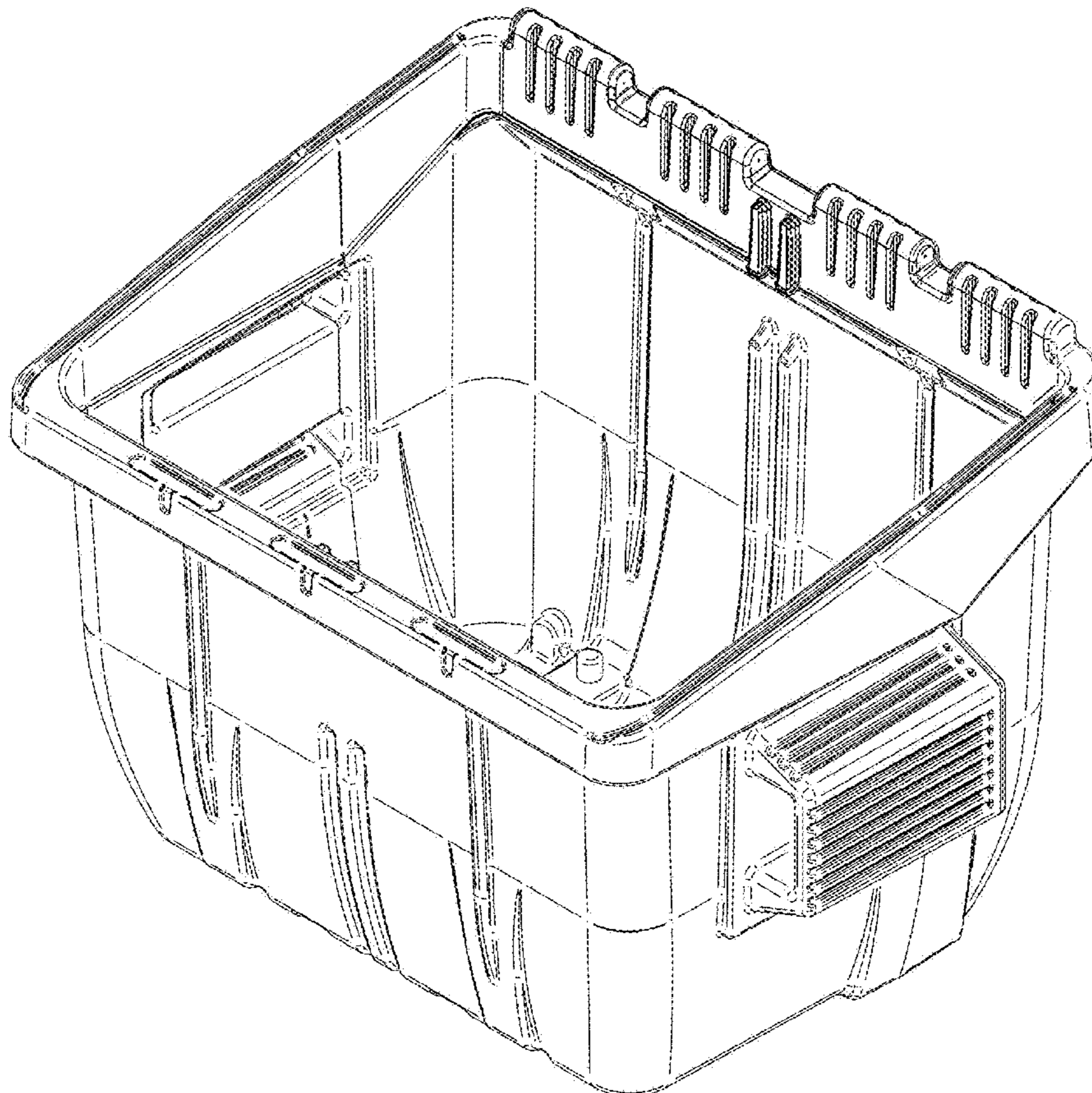
(57) **CLAIM**

The ornamental design for a shallow bottom trash container, as shown and described.

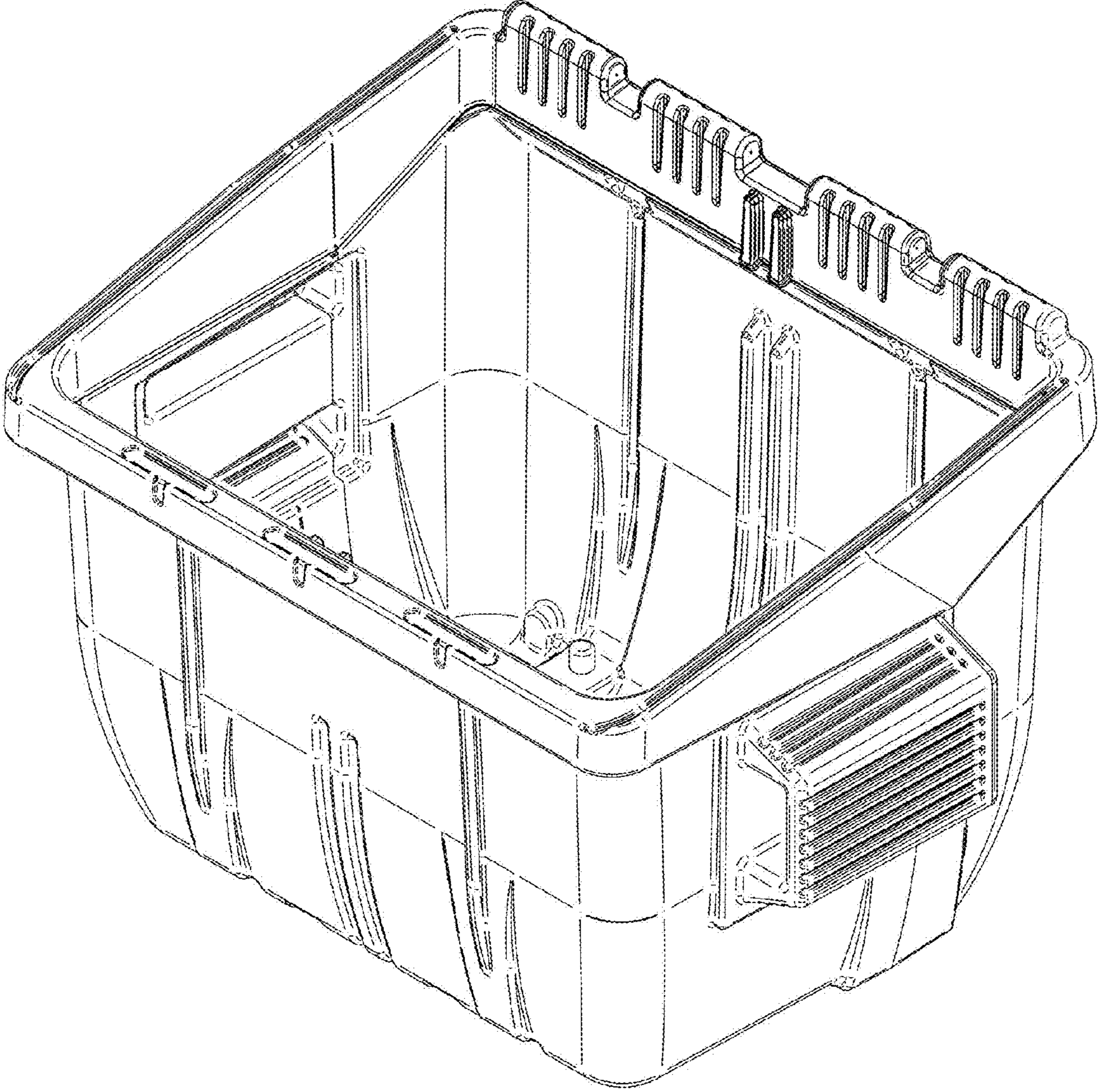
**DESCRIPTION**

FIG. 1 is a front perspective view of a shallow bottom trash container showing my new design;  
 FIG. 2 is a rear perspective view thereof;  
 FIG. 3 is a top view thereof;  
 FIG. 4 is a bottom view thereof;  
 FIG. 5 is a front view thereof;  
 FIG. 6 is a rear view thereof; and,  
 FIG. 7 is a side view, the other side being a mirror image thereof.

**1 Claim, 7 Drawing Sheets**

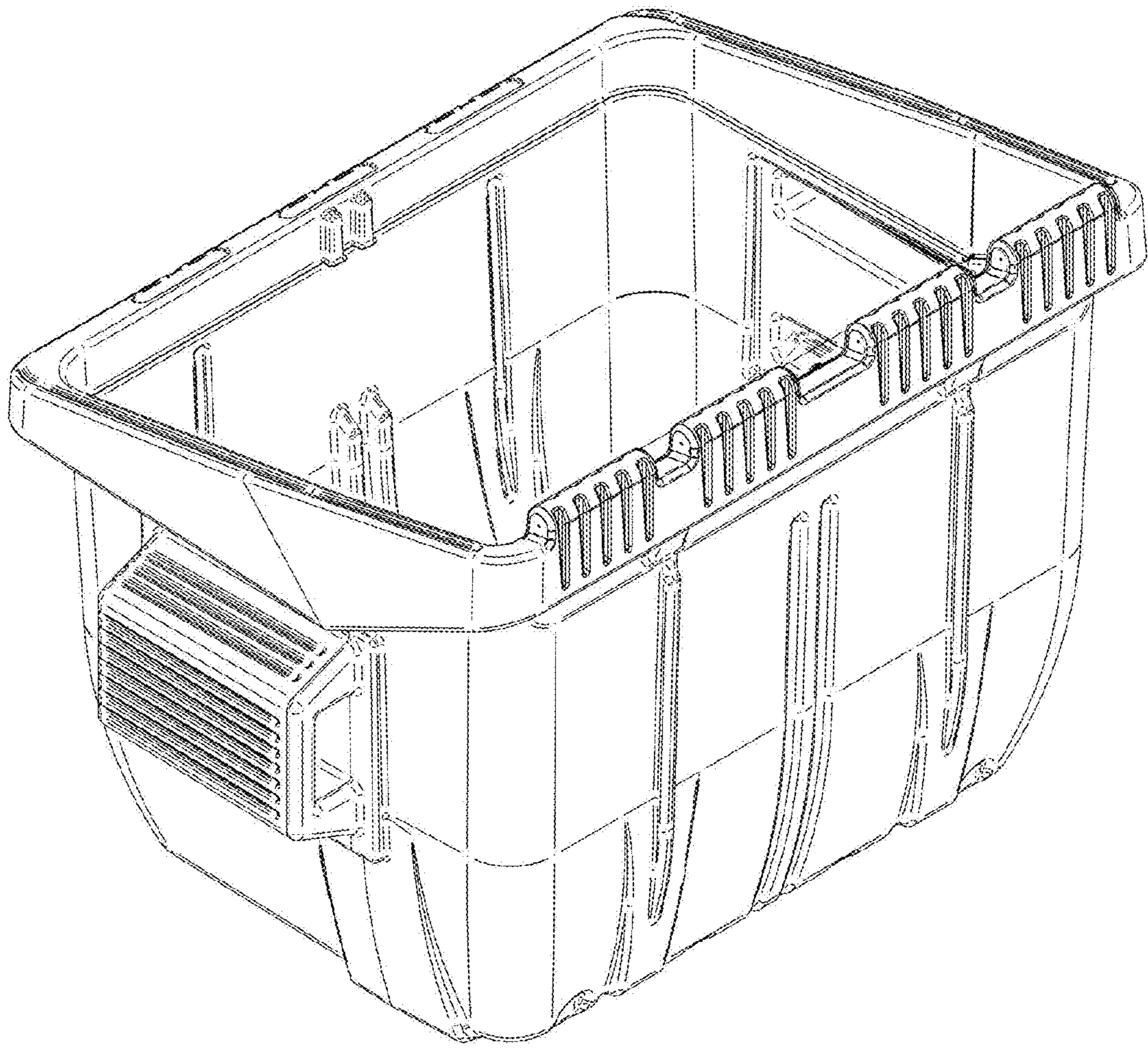


**FIG. 1**

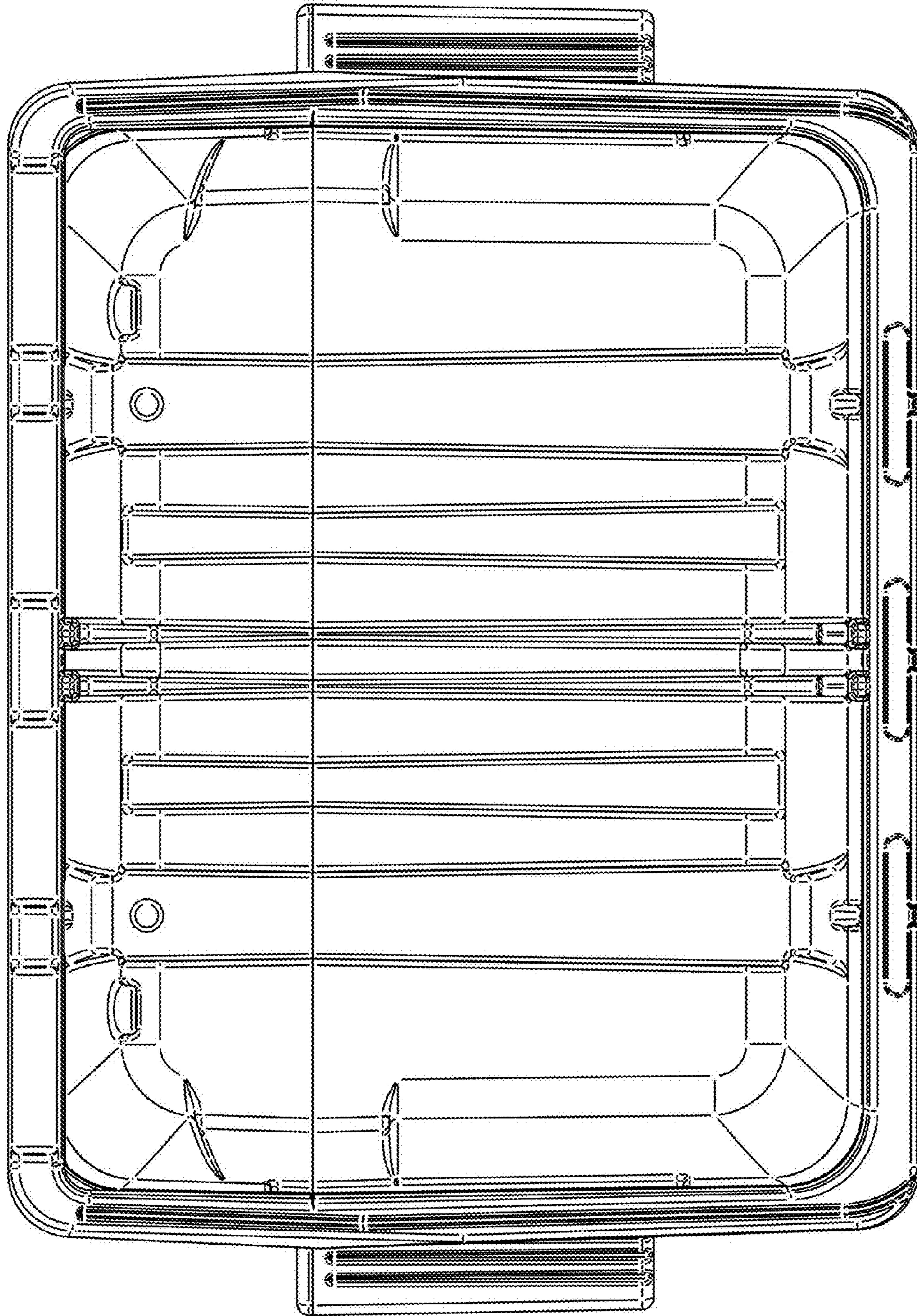




**FIG. 2**

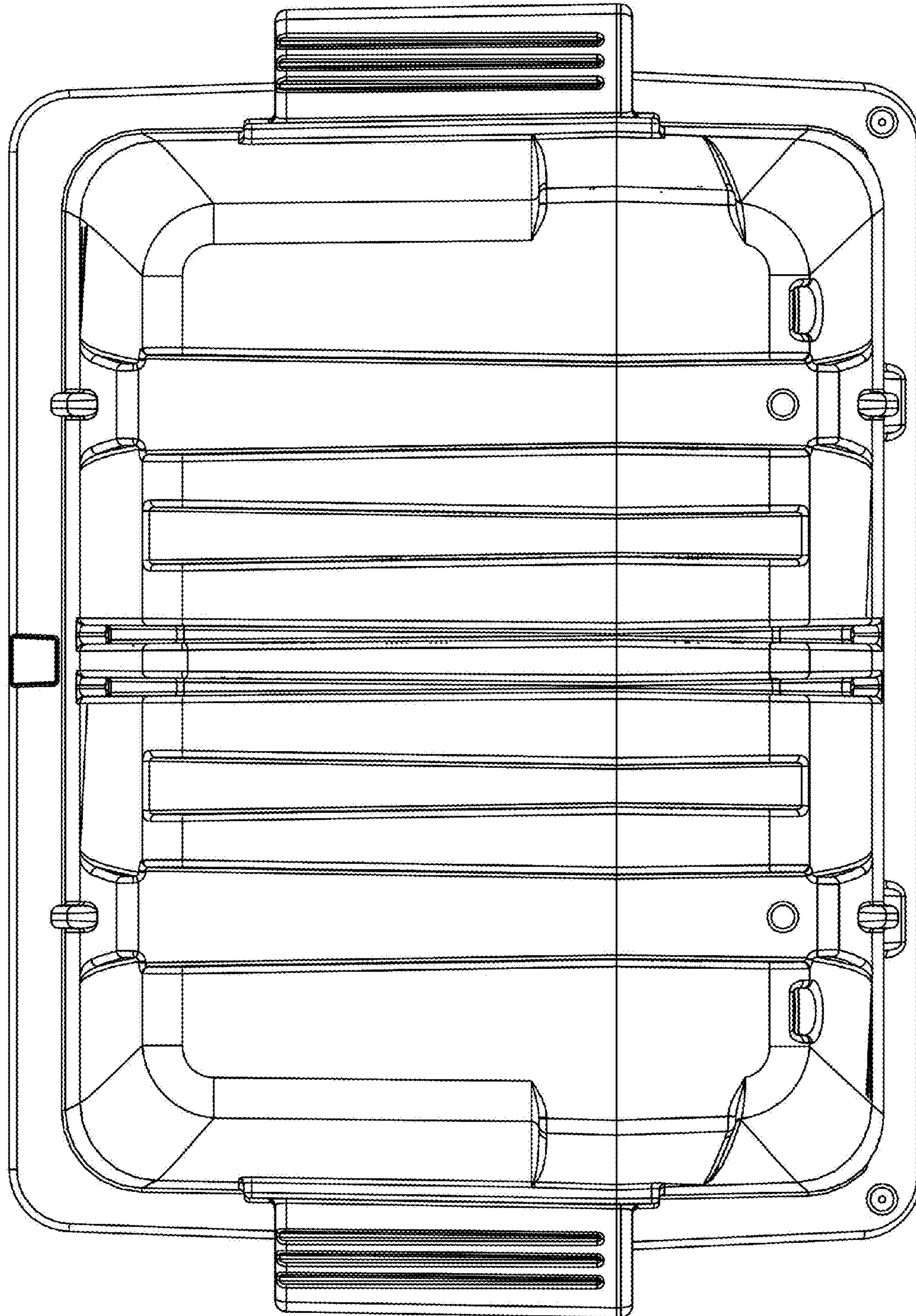


**FIG. 3**

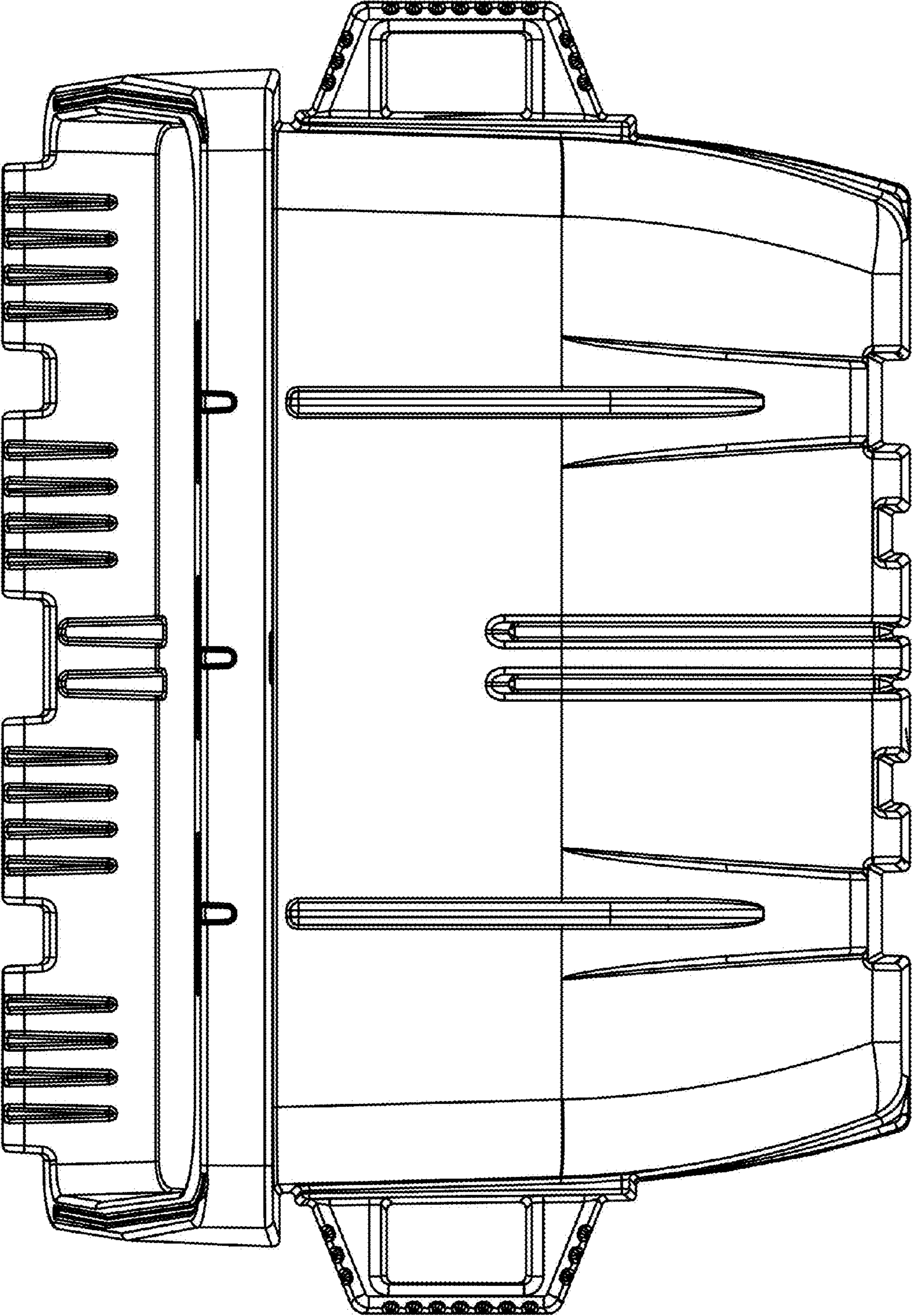




**FIG. 4**

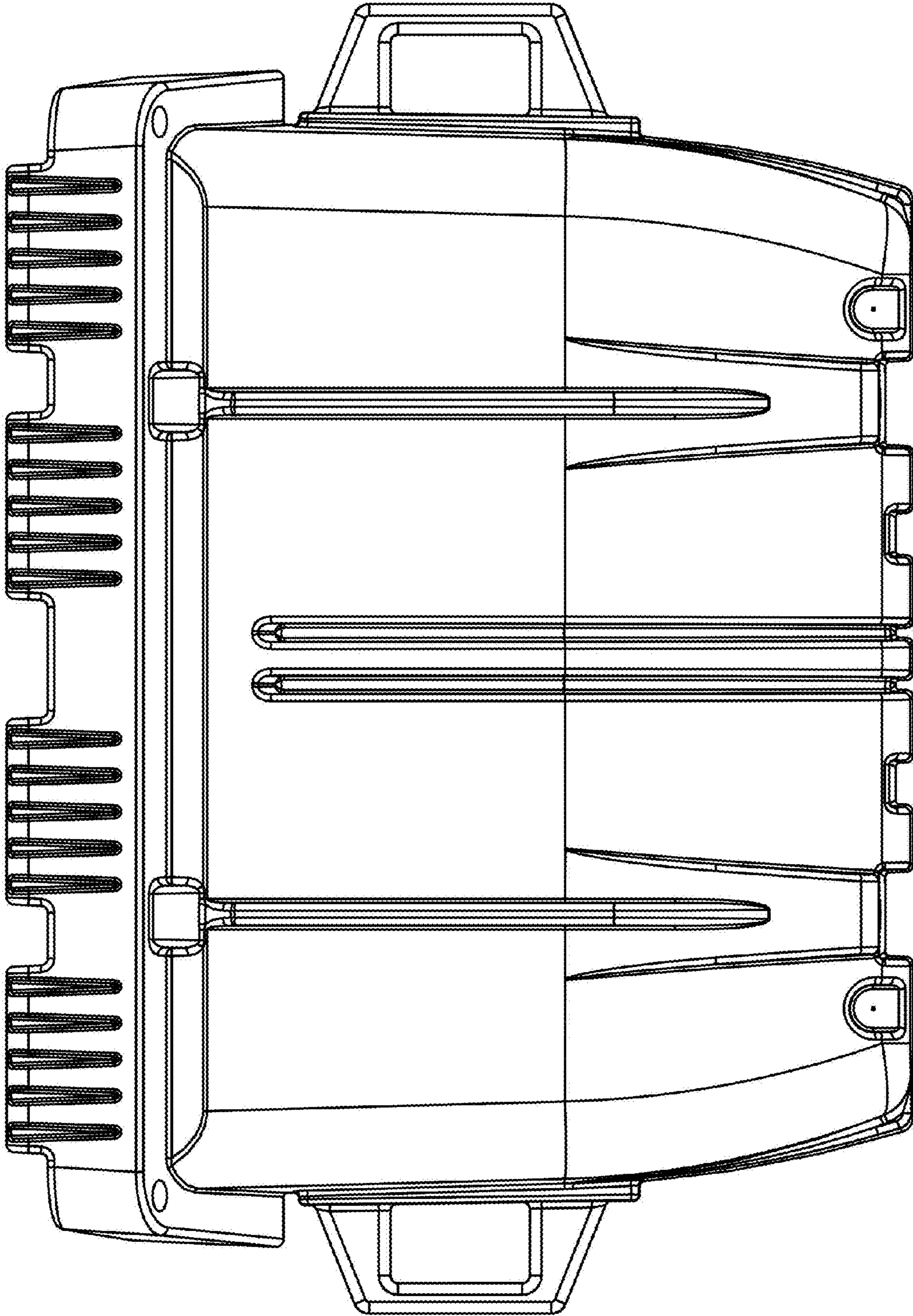


**FIG. 5**





**FIG. 6**



**FIG. 7**

