



US00D625892S

(12) **United States Design Patent**
Choi

(10) **Patent No.:** **US D625,892 S**

(45) **Date of Patent:** **** Oct. 19, 2010**

(54) **STEAM IRON**

(75) Inventor: **Lung Wai Choi**, Kowloon (HK)

(73) Assignee: **Goodway Electrical Co. Ltd.**, Hong Kong (HK)

(**) Term: **14 Years**

(21) Appl. No.: **29/353,388**

(22) Filed: **Jan. 7, 2010**

(30) **Foreign Application Priority Data**

Jul. 8, 2009 (EM) 001151864-0001

(51) **LOC (9) Cl.** **07-05**

(52) **U.S. Cl.** **D32/70**

(58) **Field of Classification Search** D32/68-72;
219/245-248, 252; 38/74-75, 77.1, 77.8-77.9,
38/88, 90, 93

See application file for complete search history.

(56) **References Cited**

U.S. PATENT DOCUMENTS

5,408,769	A *	4/1995	Patrick	38/88
5,526,596	A *	6/1996	Bitzel et al.	219/246
D472,354	S *	3/2003	Figur et al.	D32/70
D481,503	S *	10/2003	Choi	D32/70
D538,990	S *	3/2007	Poon	D32/70
D551,413	S *	9/2007	Poon	D32/70
D555,315	S *	11/2007	Poon	D32/70
D565,820	S *	4/2008	Poon	D32/70

D568,020	S *	4/2008	Poon	D32/70
D576,370	S *	9/2008	Choi	D32/68
D582,620	S *	12/2008	Brown	D32/70
2010/0146826	A1 *	6/2010	Lee et al.	38/77.83

* cited by examiner

Primary Examiner—T. Chase Nelson

(74) *Attorney, Agent, or Firm*—Ostrolenk Faber LLP

(57) **CLAIM**

The ornamental design for a steam iron, as shown and described.

DESCRIPTION

FIG. 1 is a front, left side perspective view of a steam iron showing my new design;

FIG. 2 is a left side view thereof;

FIG. 3 is a right side view thereof;

FIG. 4 is a top view thereof;

FIG. 5 is a front view thereof;

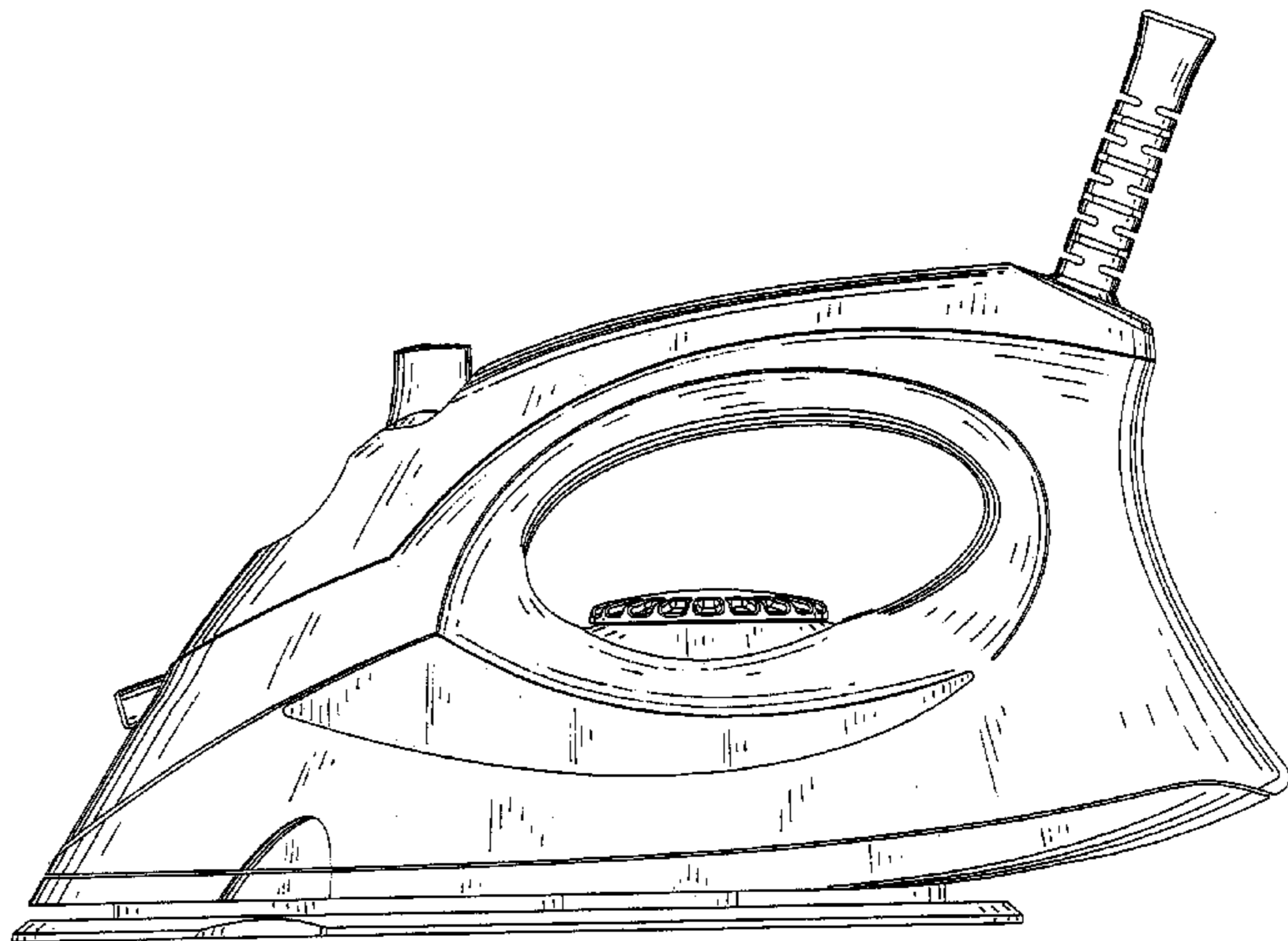
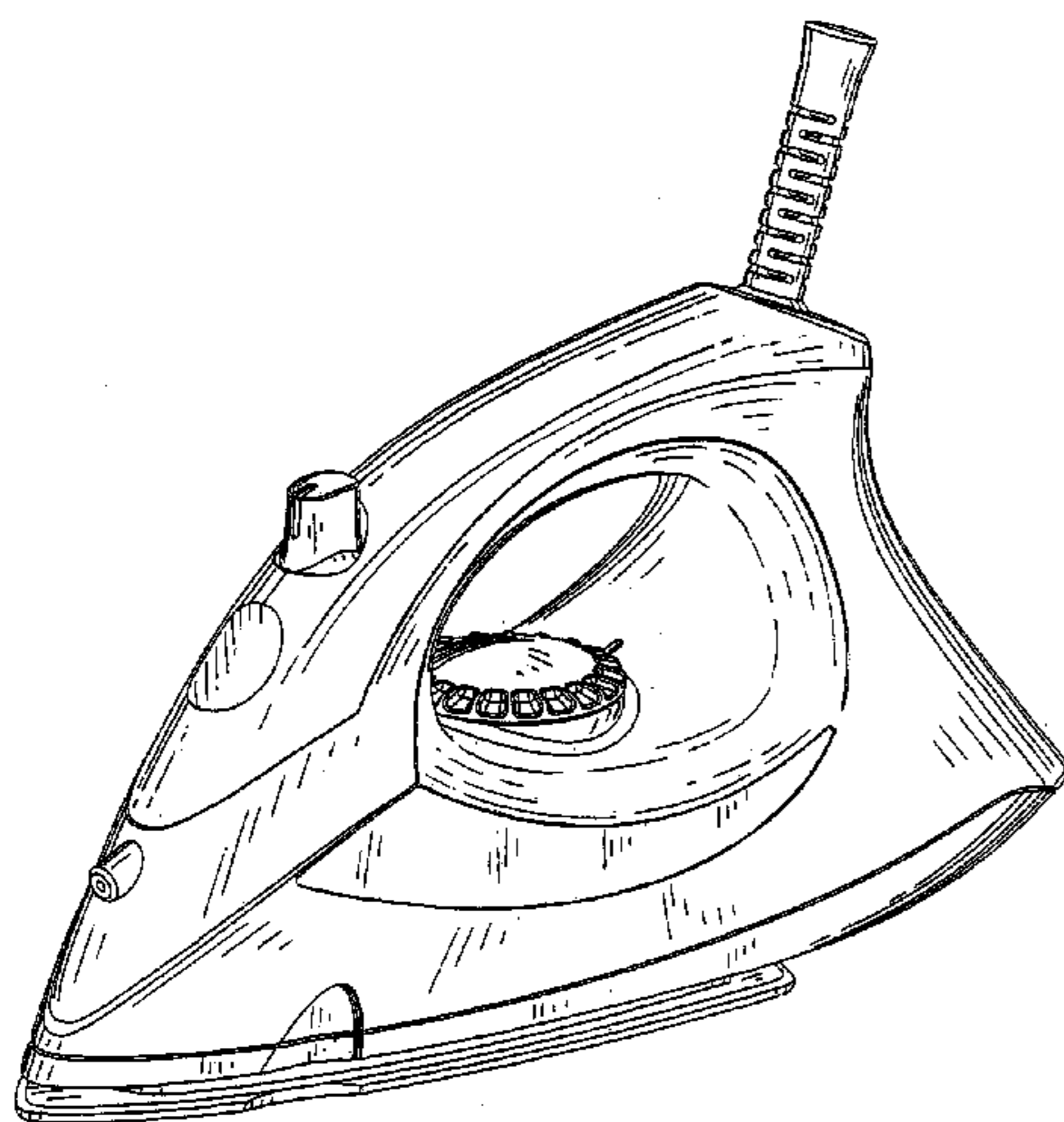
FIG. 6 is a rear view thereof;

FIG. 7 is a bottom view thereof; and,

FIG. 8 is the left side view thereof, partially broken away and shown in partial cross-section along the path of line 8—8 in FIG. 4.

The broken line showing is of environmental material and forms no part of the present design.

1 Claim, 8 Drawing Sheets



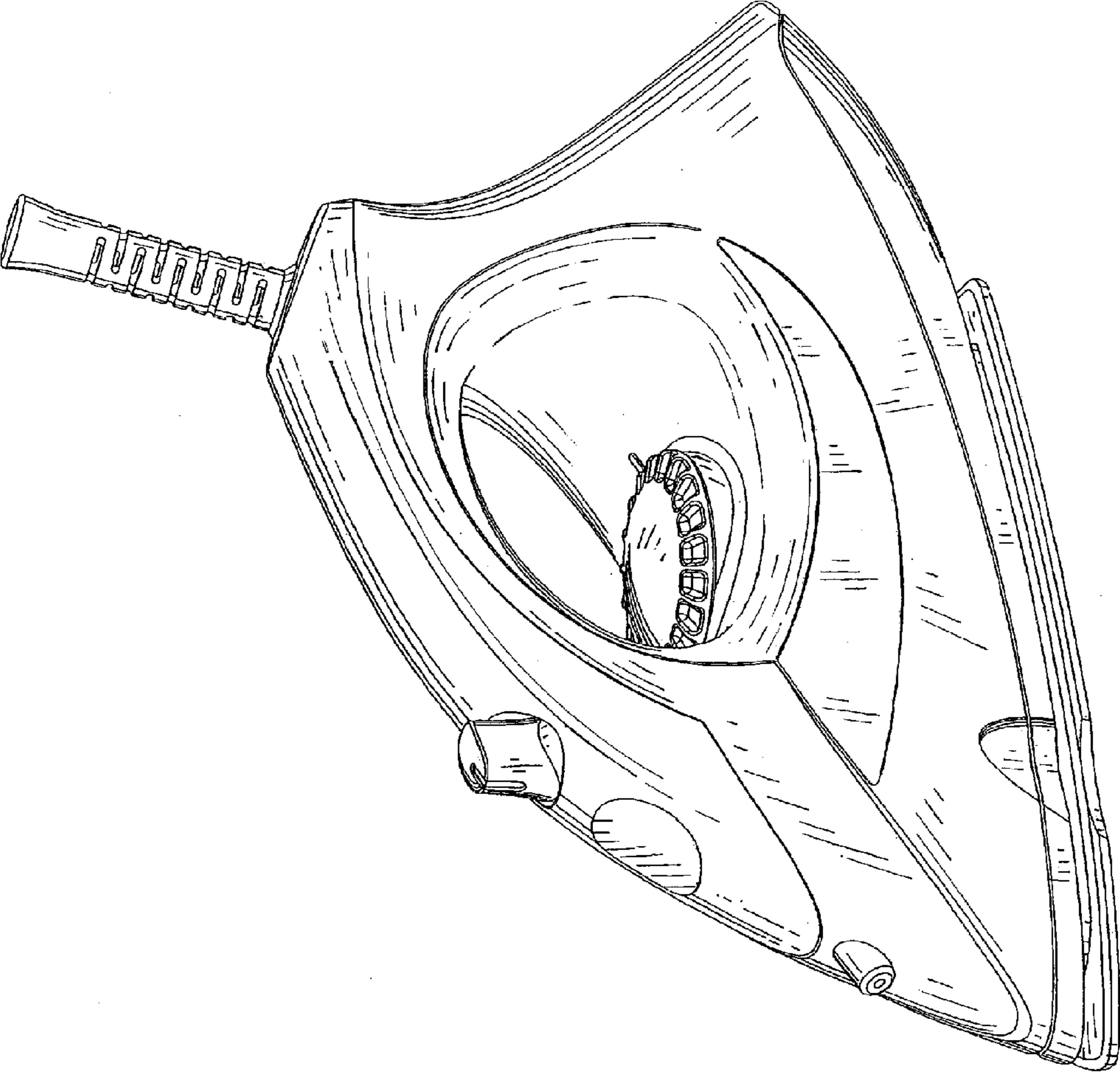


FIG. 1

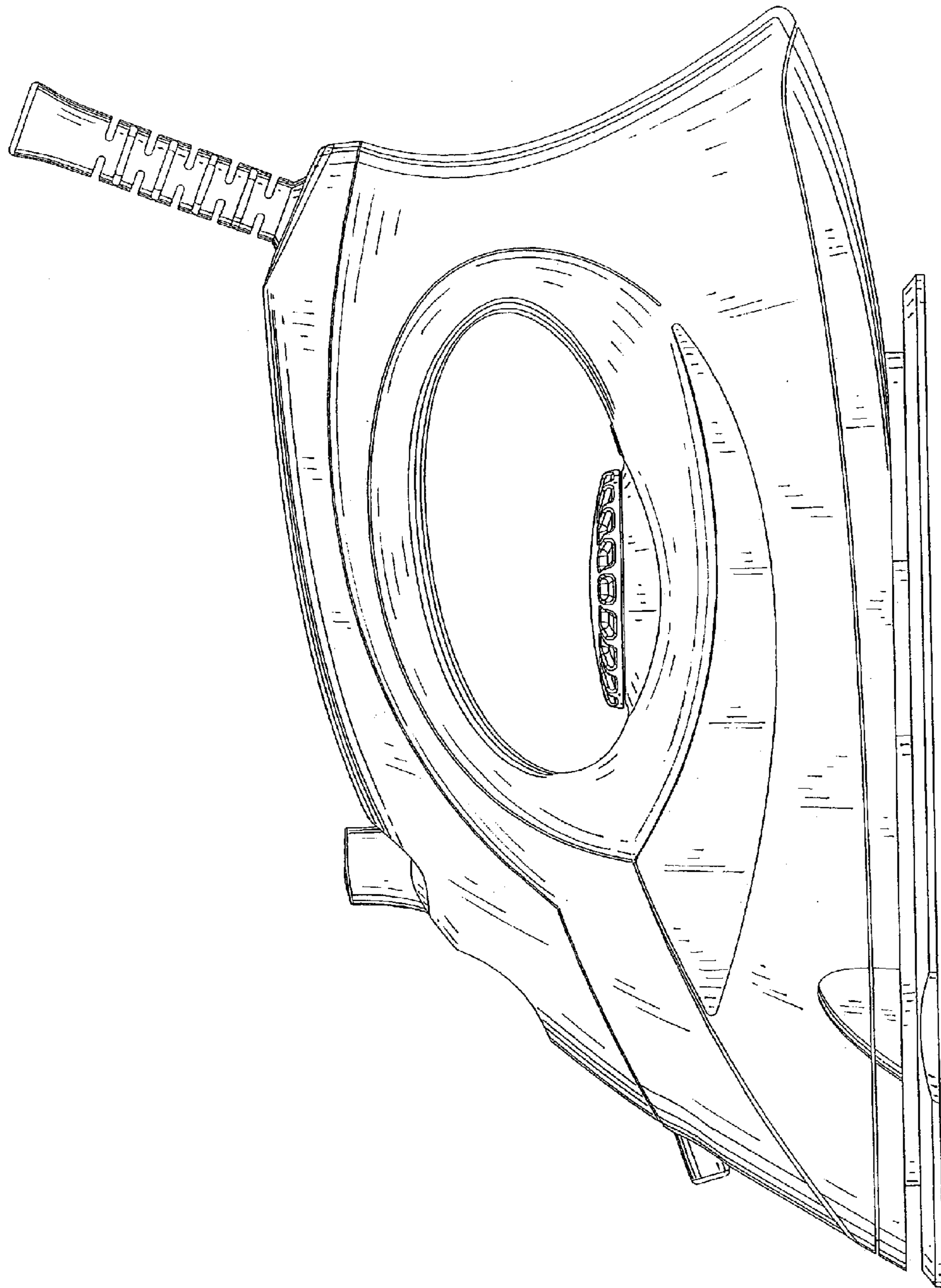


FIG. 2

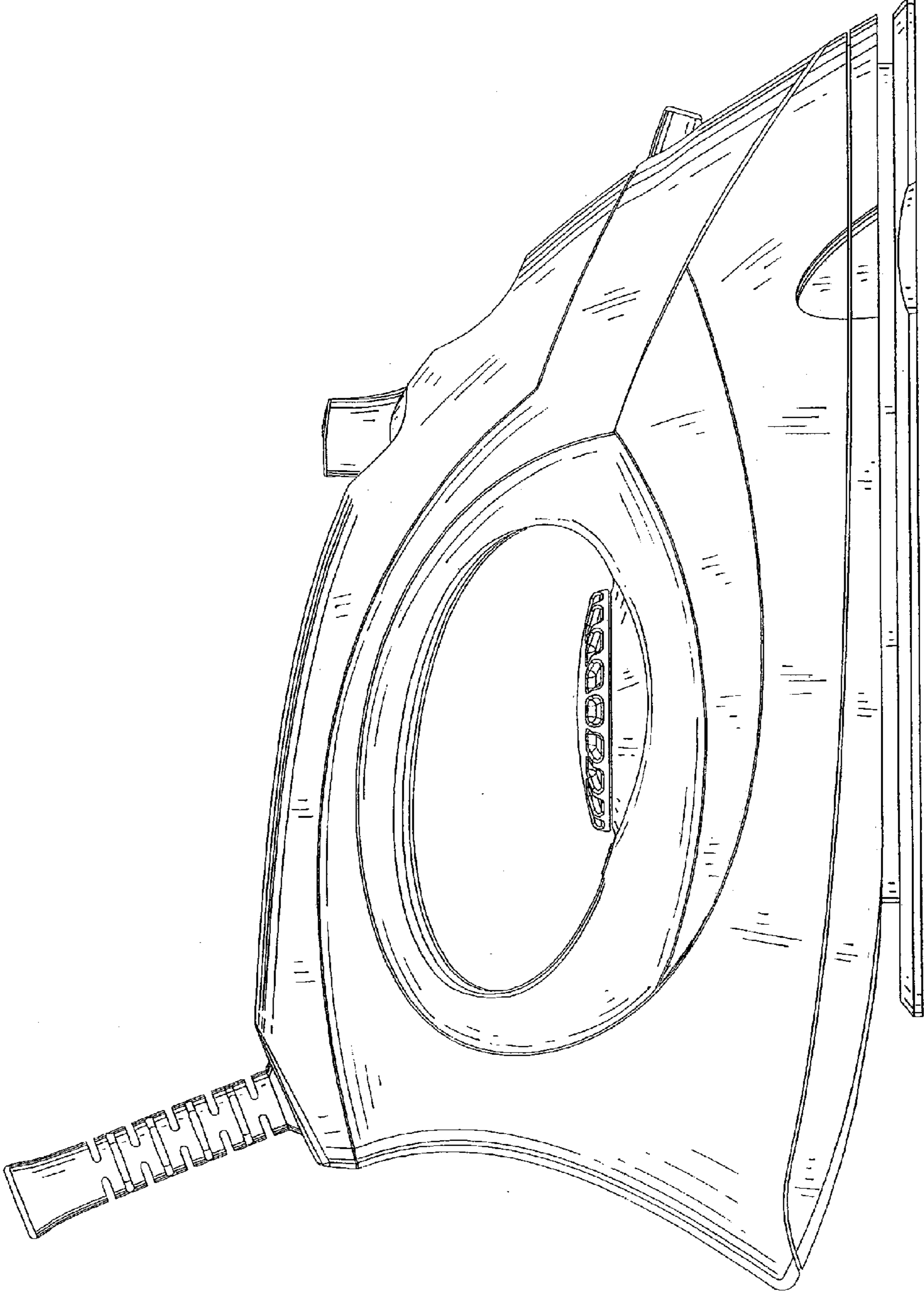


FIG. 3

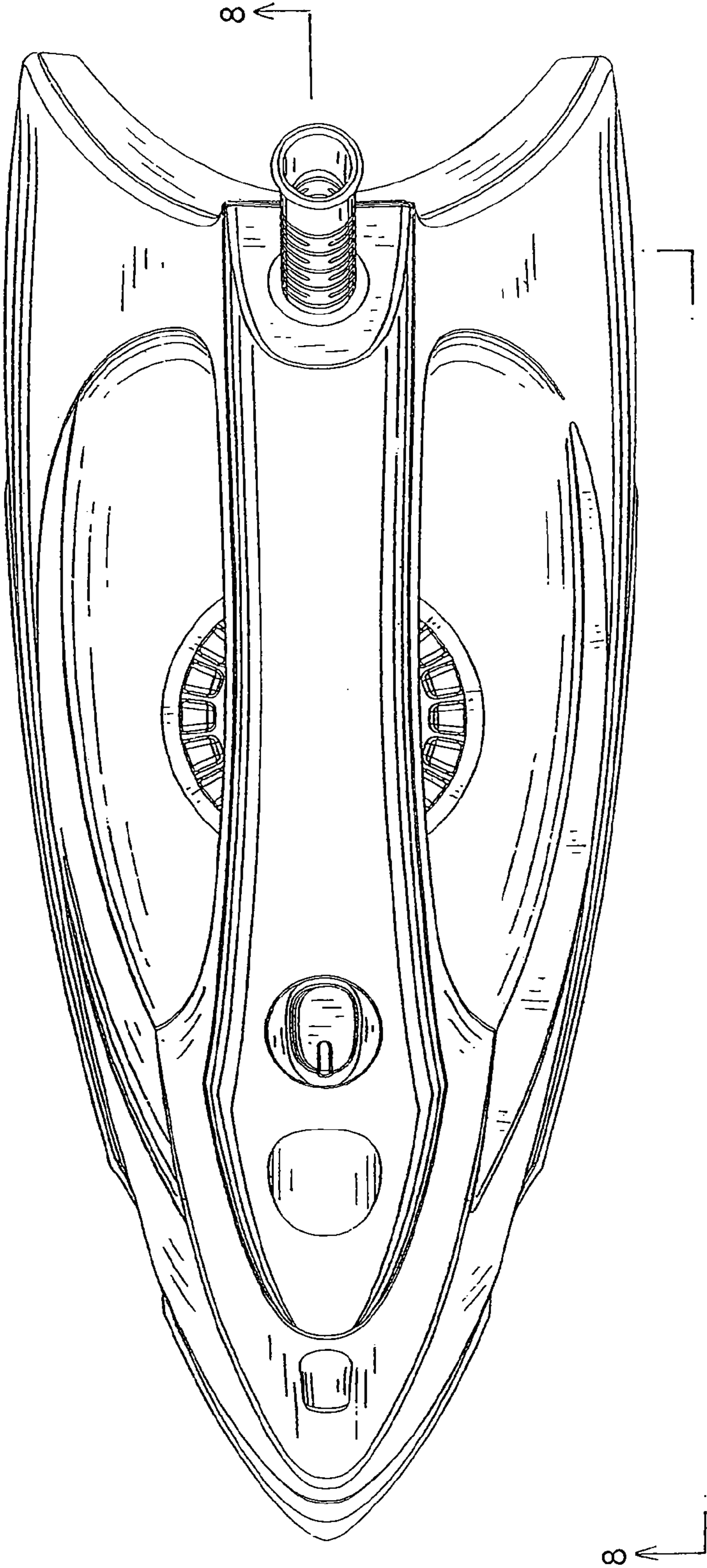


FIG. 4

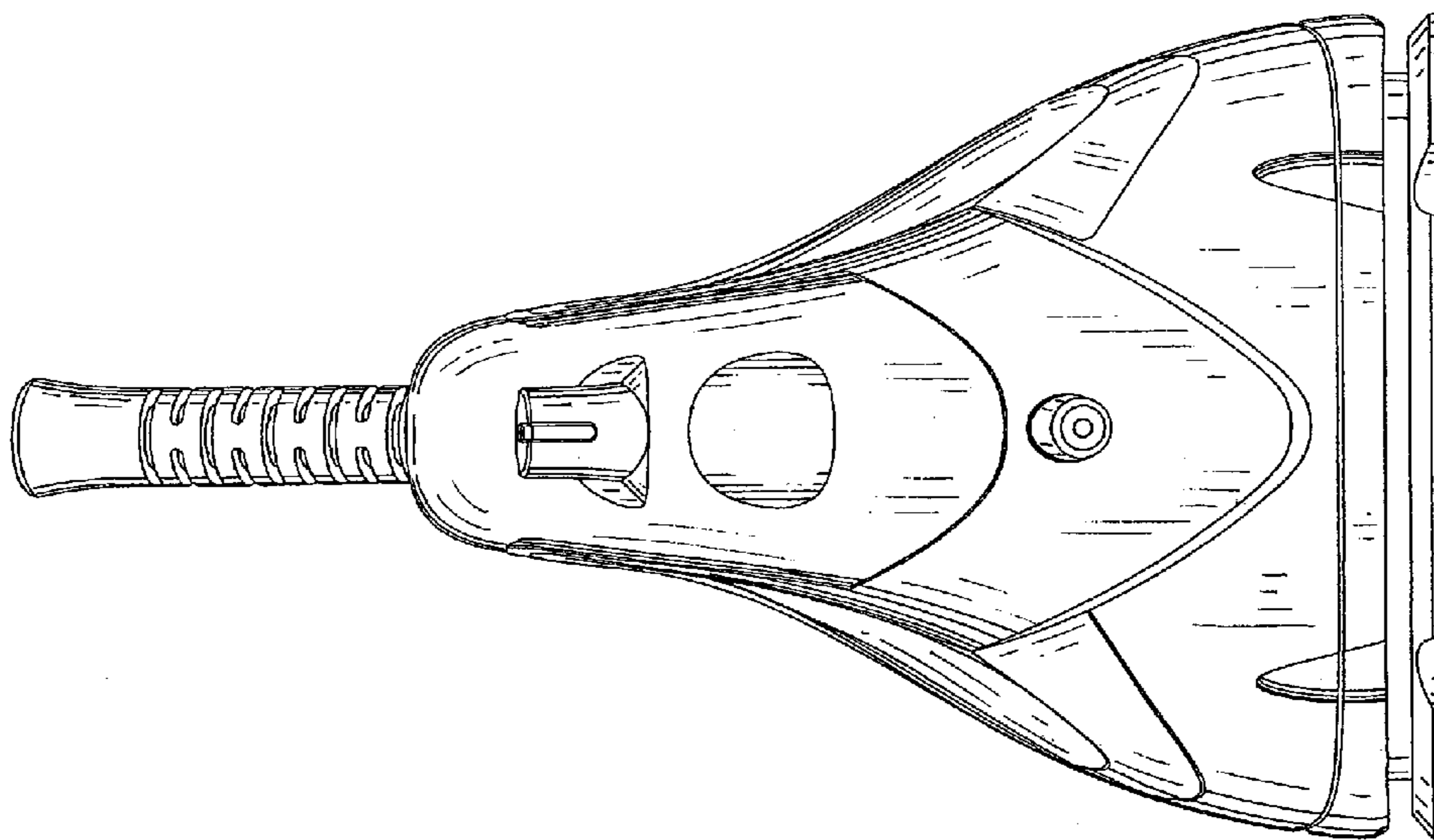


FIG. 5

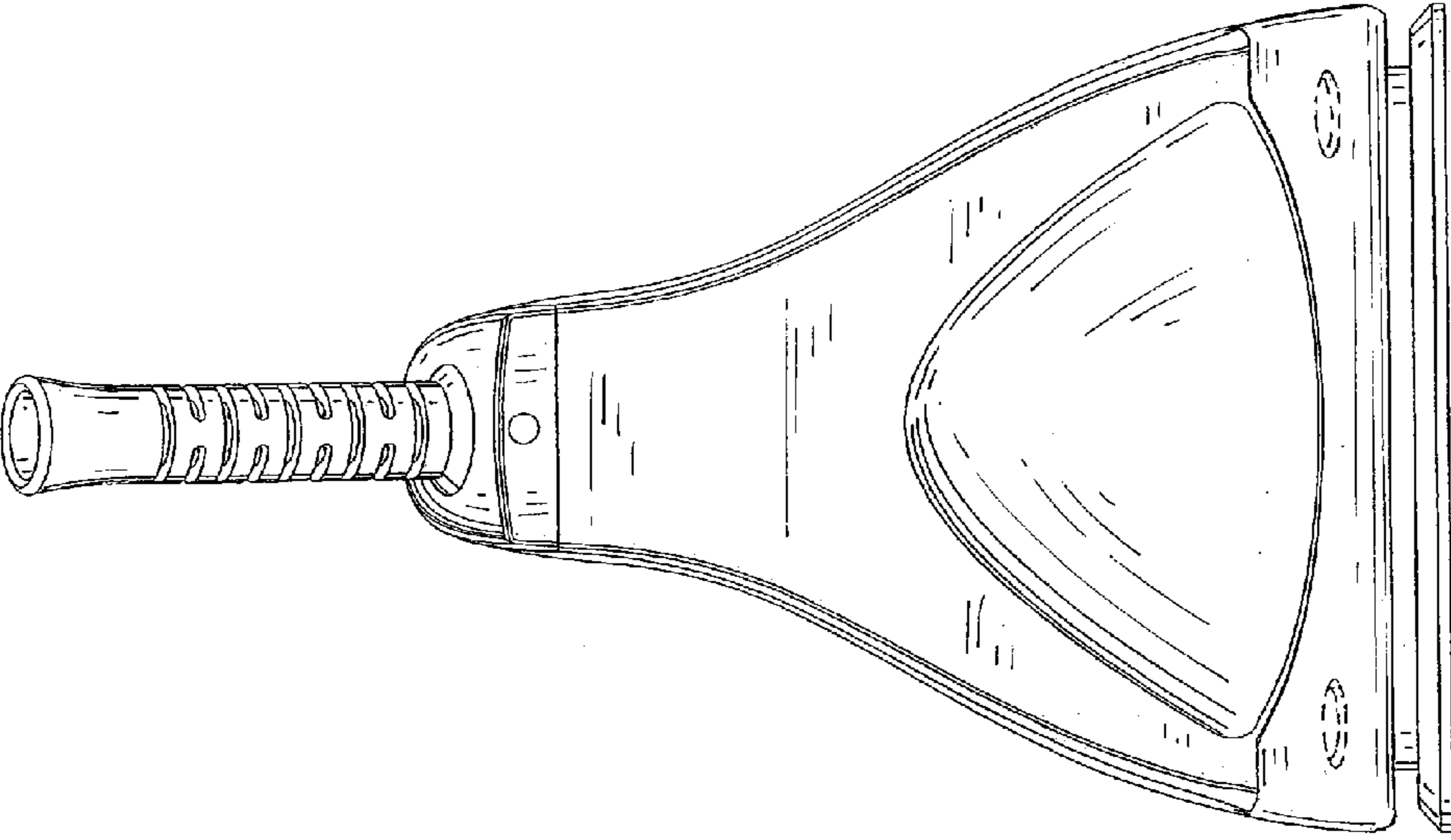


FIG. 6

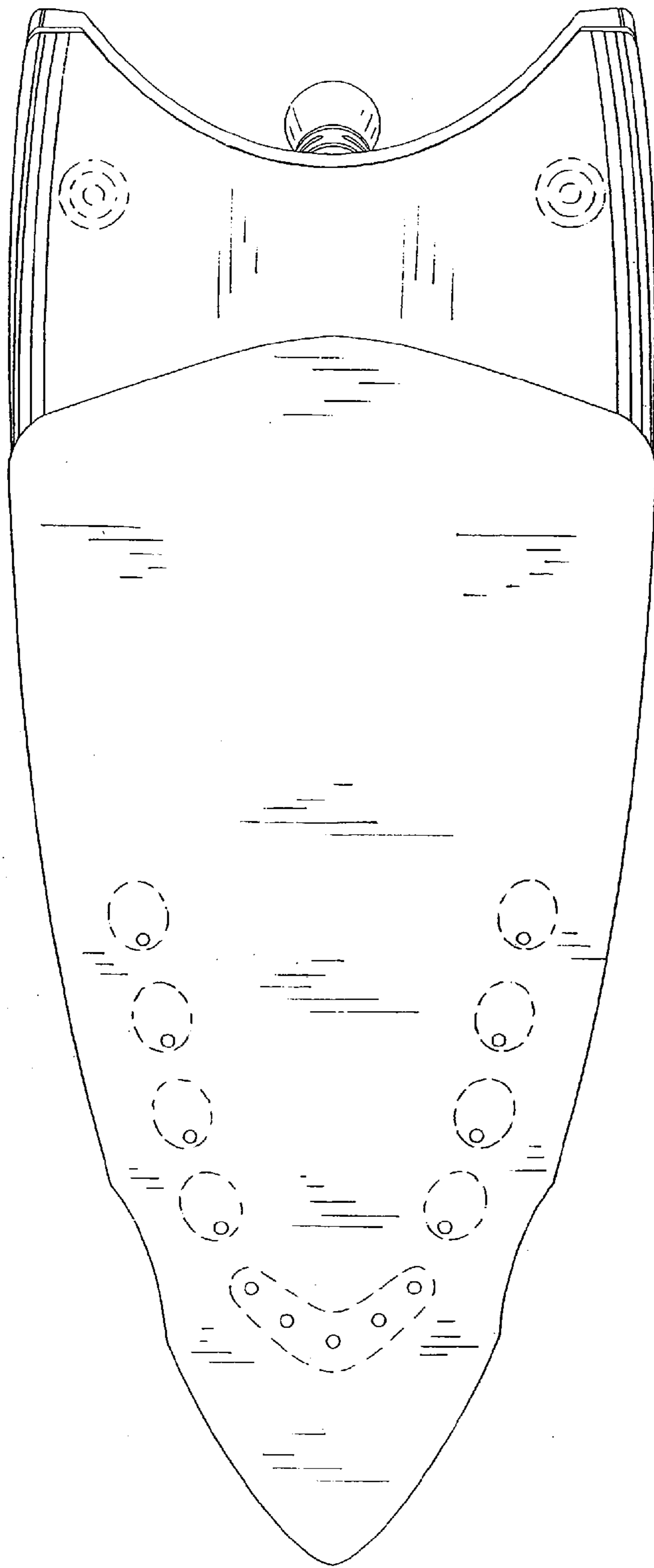


FIG. 7

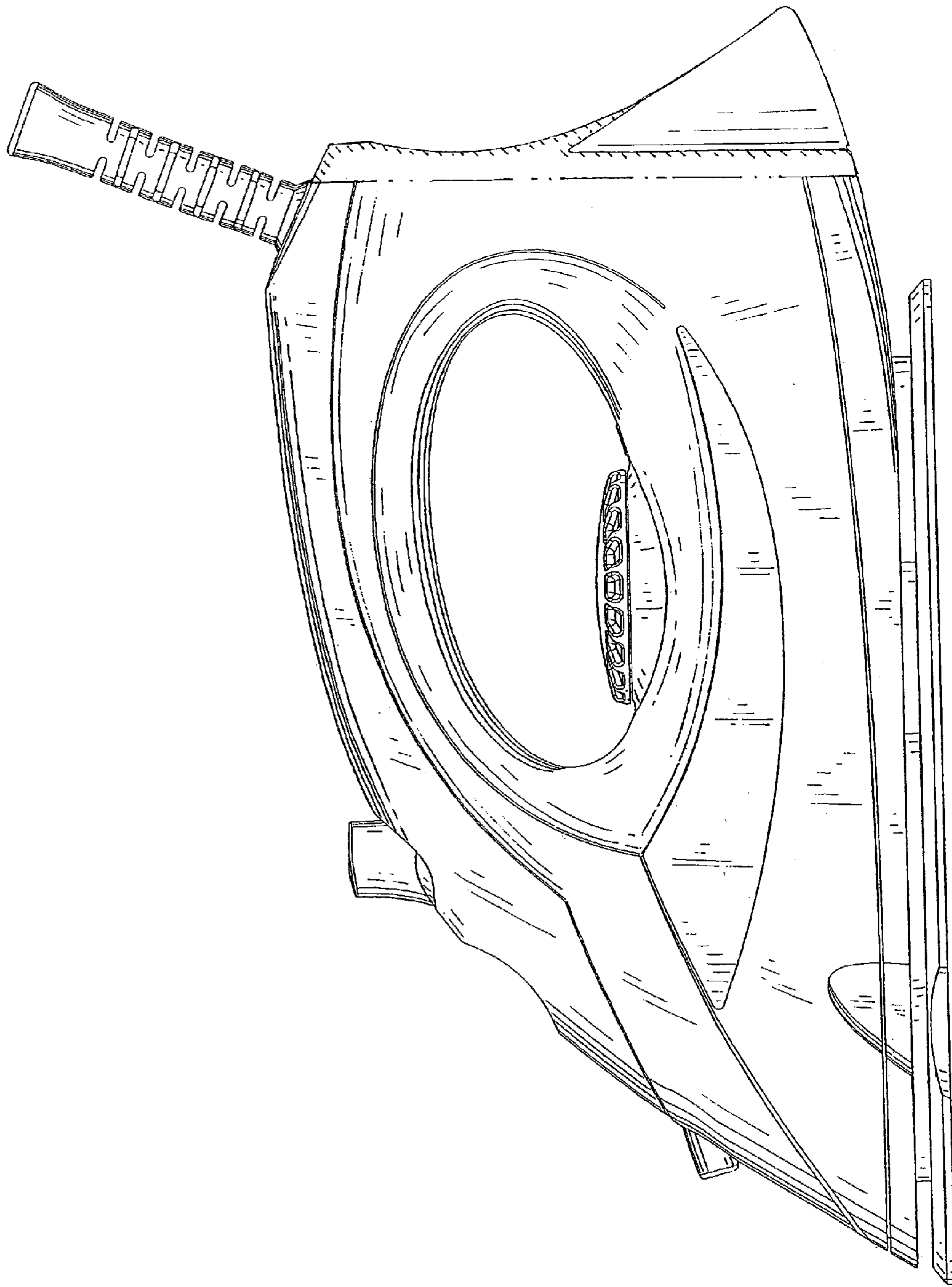


FIG. 8