



US00D625886S

(12) **United States Design Patent**
Ellard

(10) **Patent No.:** **US D625,886 S**

(45) **Date of Patent:** **** Oct. 19, 2010**

(54) **ANIMAL FEEDER**

(75) Inventor: **Anthony L. Ellard**, Bremen, AL (US)

(73) Assignee: **The GSI Group, LLC**, Assumption, IL (US)

(**) Term: **14 Years**

(21) Appl. No.: **29/330,513**

(22) Filed: **Jan. 8, 2009**

(51) **LOC (9) Cl.** **30-03**

(52) **U.S. Cl.** **D30/131; D30/121**

(58) **Field of Classification Search** D30/130-132, D30/199; 119/72, 72.5, 75, 78, 53, 74, 76, 119/79, 80, 81, 51.01, 51.04, 52.1, 54, 57.4, 119/58, 61.1, 61.5, 52.4; 137/592, 408, 614.2; 239/28; 4/377; D7/553.4, 553.8, 552.2, D7/549, 555, 557, 554.2, 359, 586, 551.1, D7/553.7, 553.6, 546, 547, 672, 570, 544, D7/564, 587, 584; D9/428, 432; D27/134; 220/630, 575, 574, 506; D11/149, 152; 99/442, 428, DIG. 15; 131/232; 249/169

See application file for complete search history.

(56) **References Cited**

U.S. PATENT DOCUMENTS

410,563	A *	9/1889	Seward	119/52.4
503,664	A *	8/1893	Jones	119/53
3,205,860	A *	9/1965	Moore	119/52.4
3,911,868	A *	10/1975	Brembeck	119/53
4,070,990	A *	1/1978	Swartzendruber	119/53
4,476,811	A *	10/1984	Swartzendruber	119/57.4
4,834,026	A *	5/1989	Brembeck et al.	119/53
4,995,343	A *	2/1991	Cole et al.	119/53
5,007,380	A *	4/1991	Badia et al.	119/53
D321,959	S *	11/1991	Cole et al.	D30/121
5,101,765	A *	4/1992	Manfrin	119/53
5,113,797	A *	5/1992	van Daele	119/53
5,311,839	A *	5/1994	Pollock et al.	119/53
5,406,907	A *	4/1995	Hart	119/53
5,497,730	A *	3/1996	van Daele et al.	119/53
5,718,187	A *	2/1998	Pollock et al.	119/52.4

5,762,021	A *	6/1998	Horwood et al.	119/57.4
5,765,503	A *	6/1998	van Daele	119/52.4
5,875,733	A *	3/1999	Chen	119/57.4
5,884,581	A *	3/1999	Vandaele	119/52.4
5,927,232	A *	7/1999	Pollock	119/53
5,941,193	A *	8/1999	Cole	119/57.4
5,957,083	A *	9/1999	Cheng	119/57.4
6,173,676	B1 *	1/2001	Cole	119/57.4
D444,676	S *	7/2001	Murphy	D7/553.6
6,470,826	B2 *	10/2002	Thuline	119/52.4
6,539,893	B1	4/2003	Otto-Lubker et al.	

(Continued)

Primary Examiner—Susan Moon Lee
(74) *Attorney, Agent, or Firm*—Kenneth M. Bush; Bush Intellectual Property Law

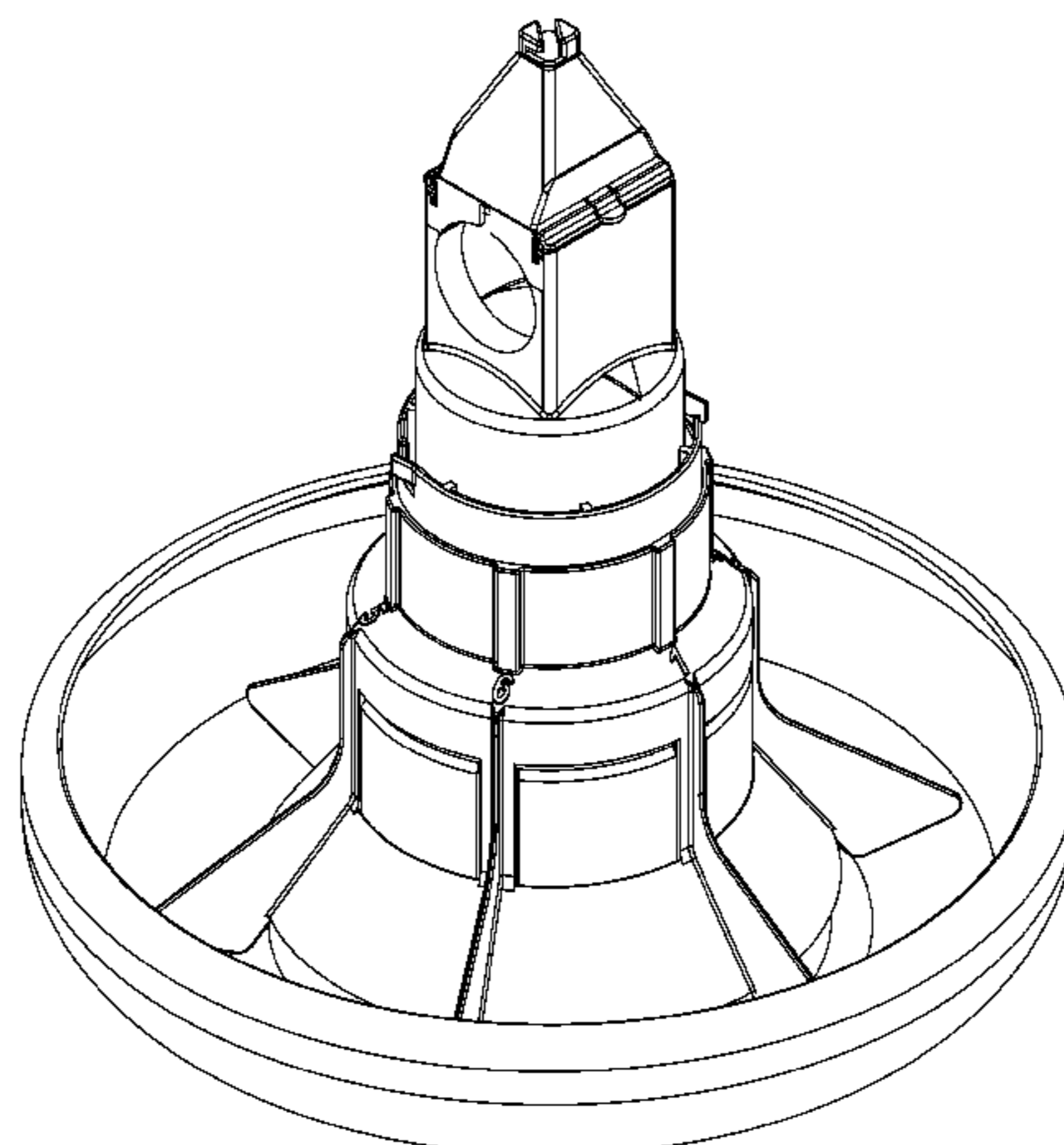
(57) **CLAIM**

I claim the ornamental design for an animal feeder, as shown and described.

DESCRIPTION

FIG. 1 is an upper front left perspective view of an animal feeder showing my new design;
FIG. 2 is an upper front right perspective view thereof;
FIG. 3 is a lower front left perspective view thereof;
FIG. 4 is a lower front right perspective view thereof;
FIG. 5 is a top plan view thereof;
FIG. 6 is a bottom plan view thereof;
FIG. 7 is a front elevational view thereof;
FIG. 8 is a rear elevational view thereof;
FIG. 9 is a left side elevational view thereof; and,
FIG. 10 is a right side elevational view thereof.

1 Claim, 10 Drawing Sheets



US D625,886 S

Page 2

U.S. PATENT DOCUMENTS

6,655,317 B1 *	12/2003	Studler et al.	119/53	7,647,888 B2 *	1/2010	Slankard et al.	119/53
D582,102 S *	12/2008	Roes	D30/132	2002/0195001 A1 *	12/2002	Hester	99/345
7,552,697 B2 *	6/2009	Busse	119/53	* cited by examiner			

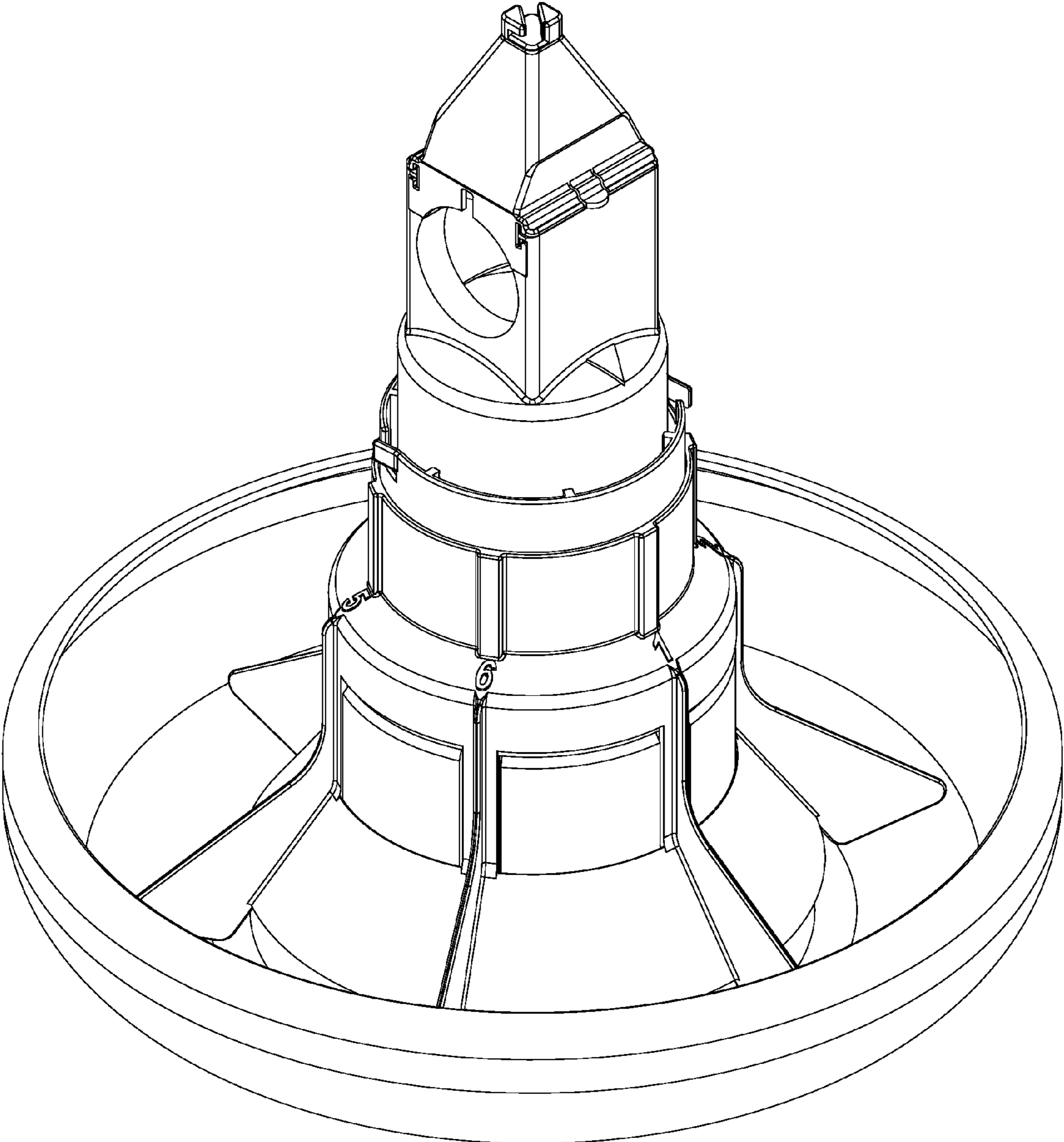


FIG. 1

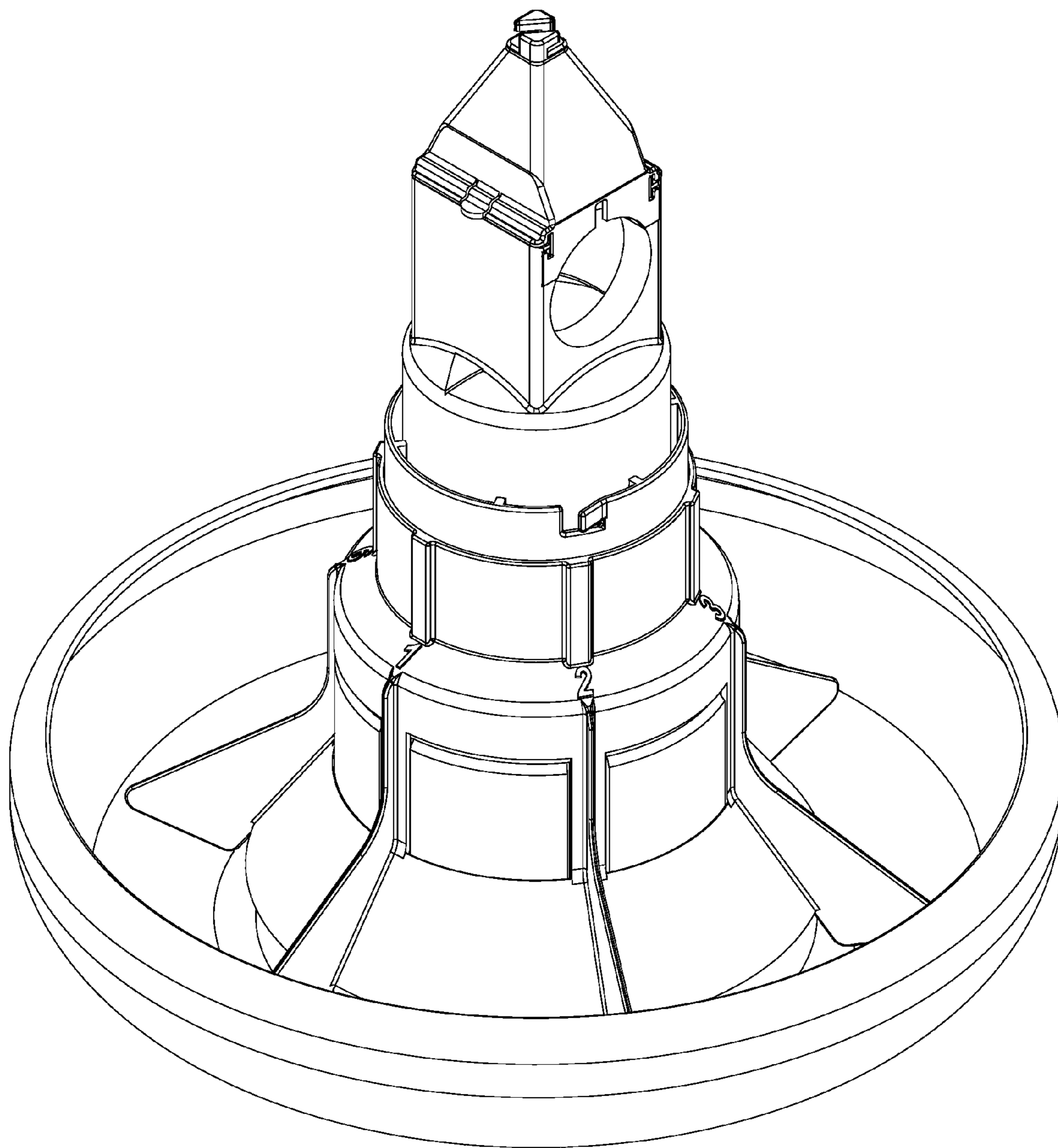


FIG. 2

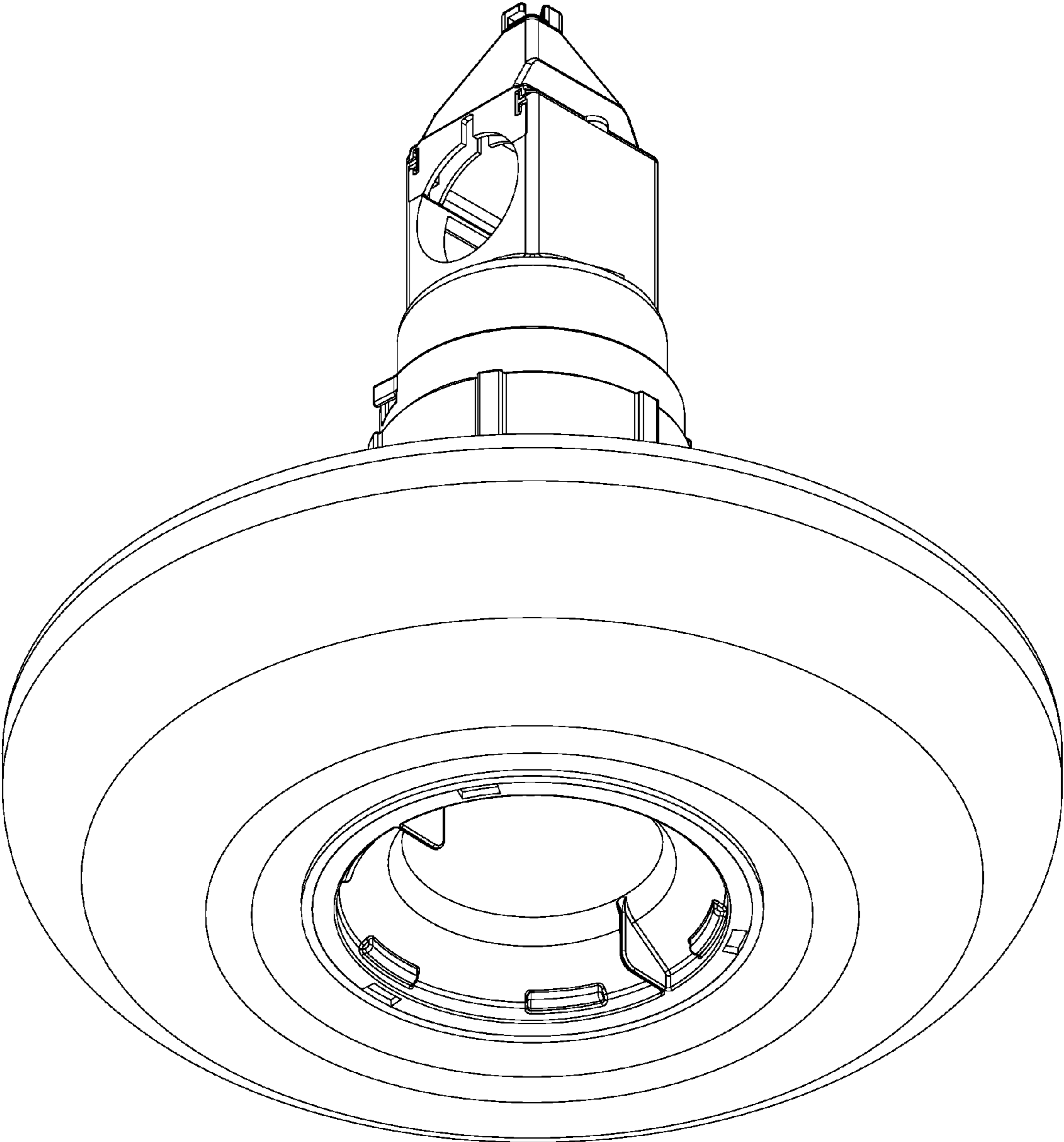


FIG. 3

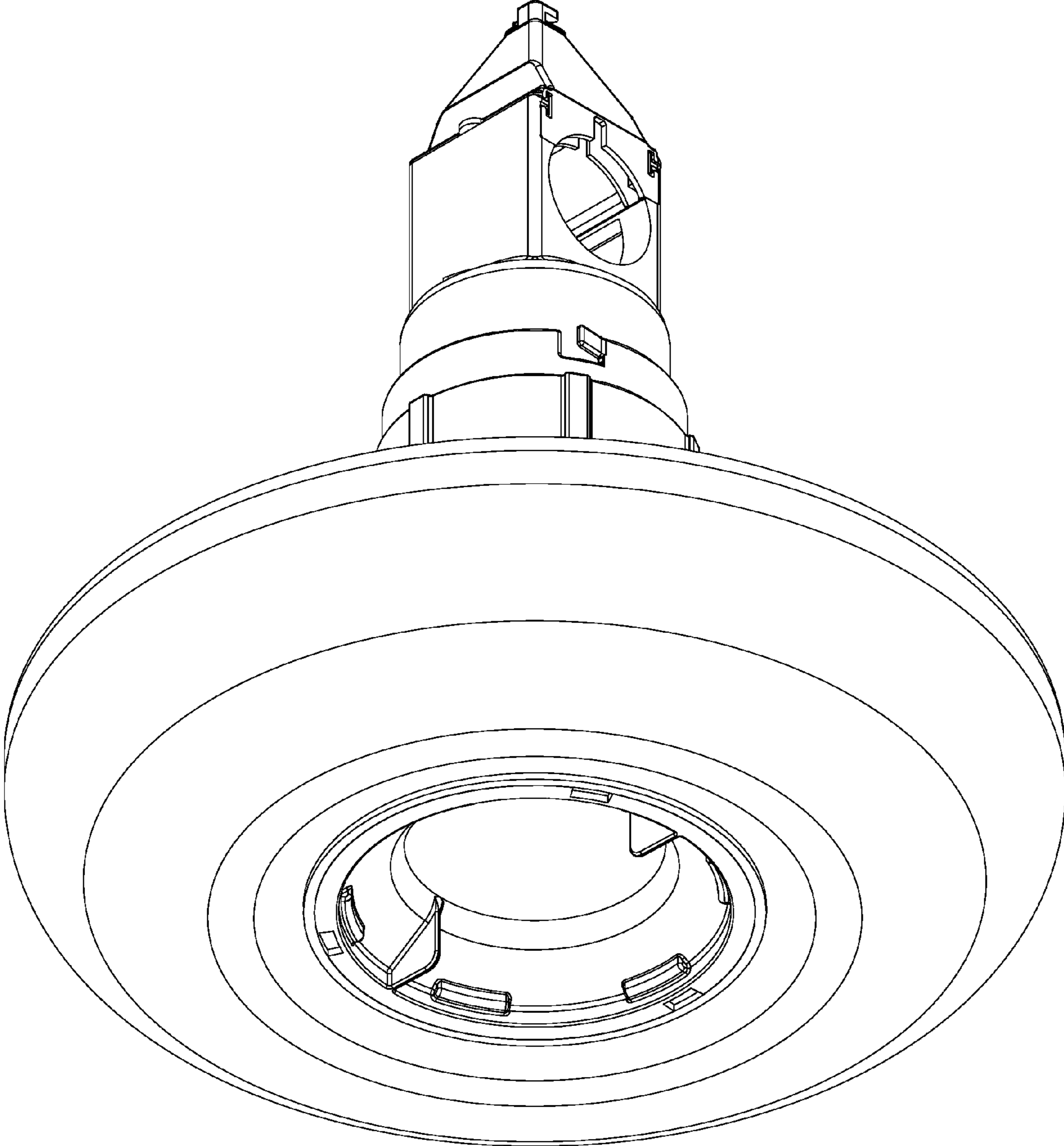


FIG. 4

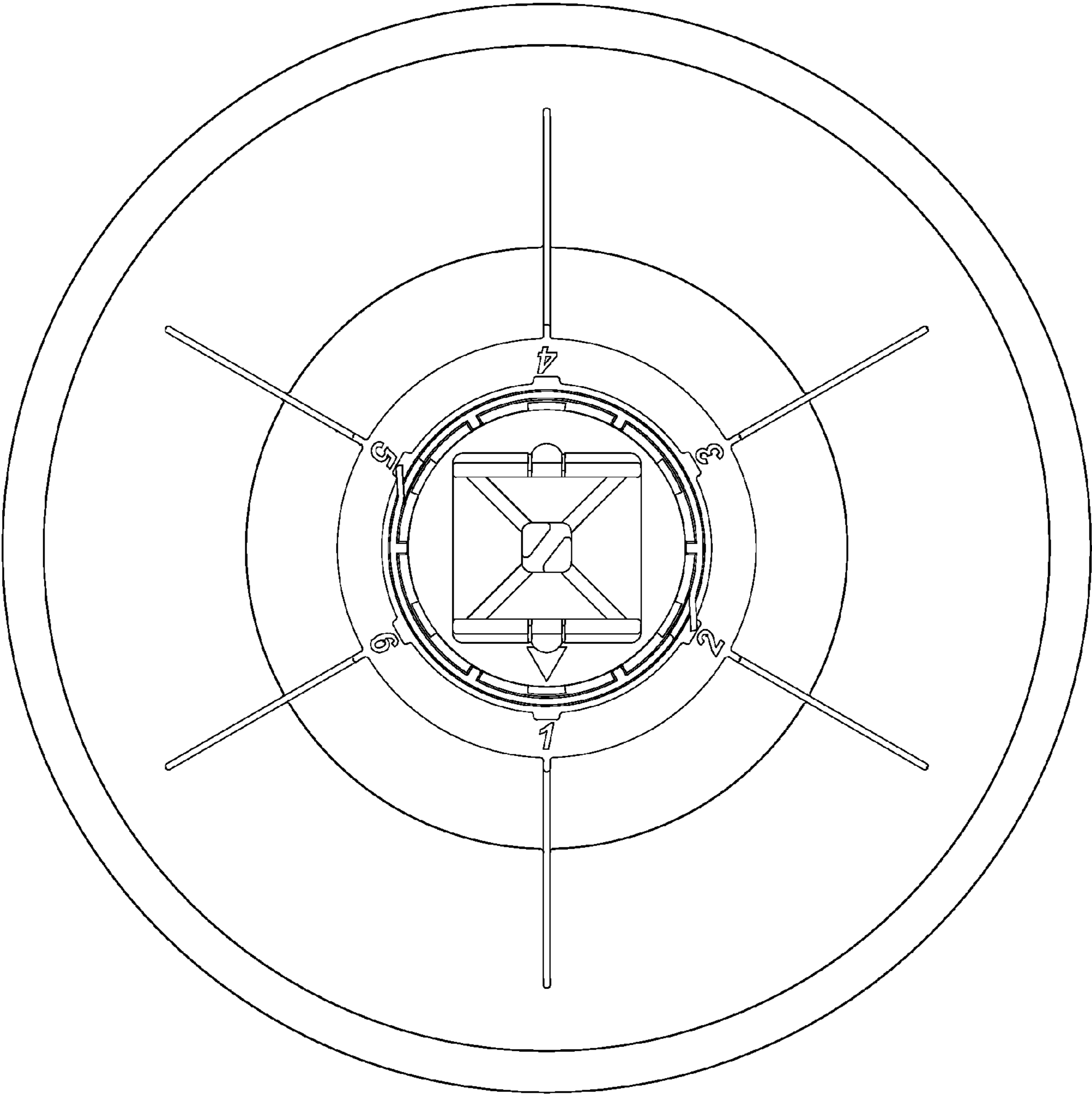


FIG. 5

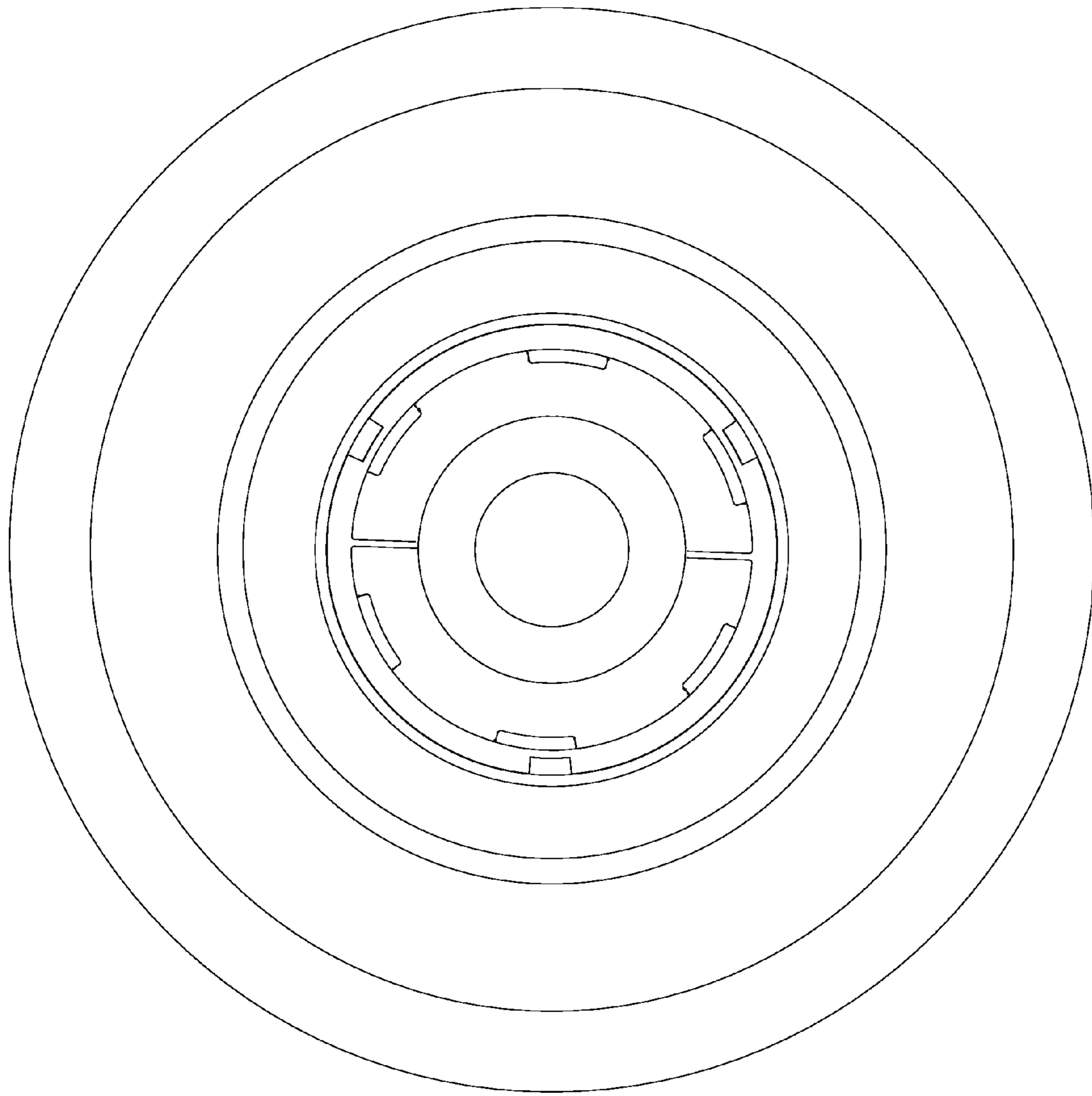


FIG. 6

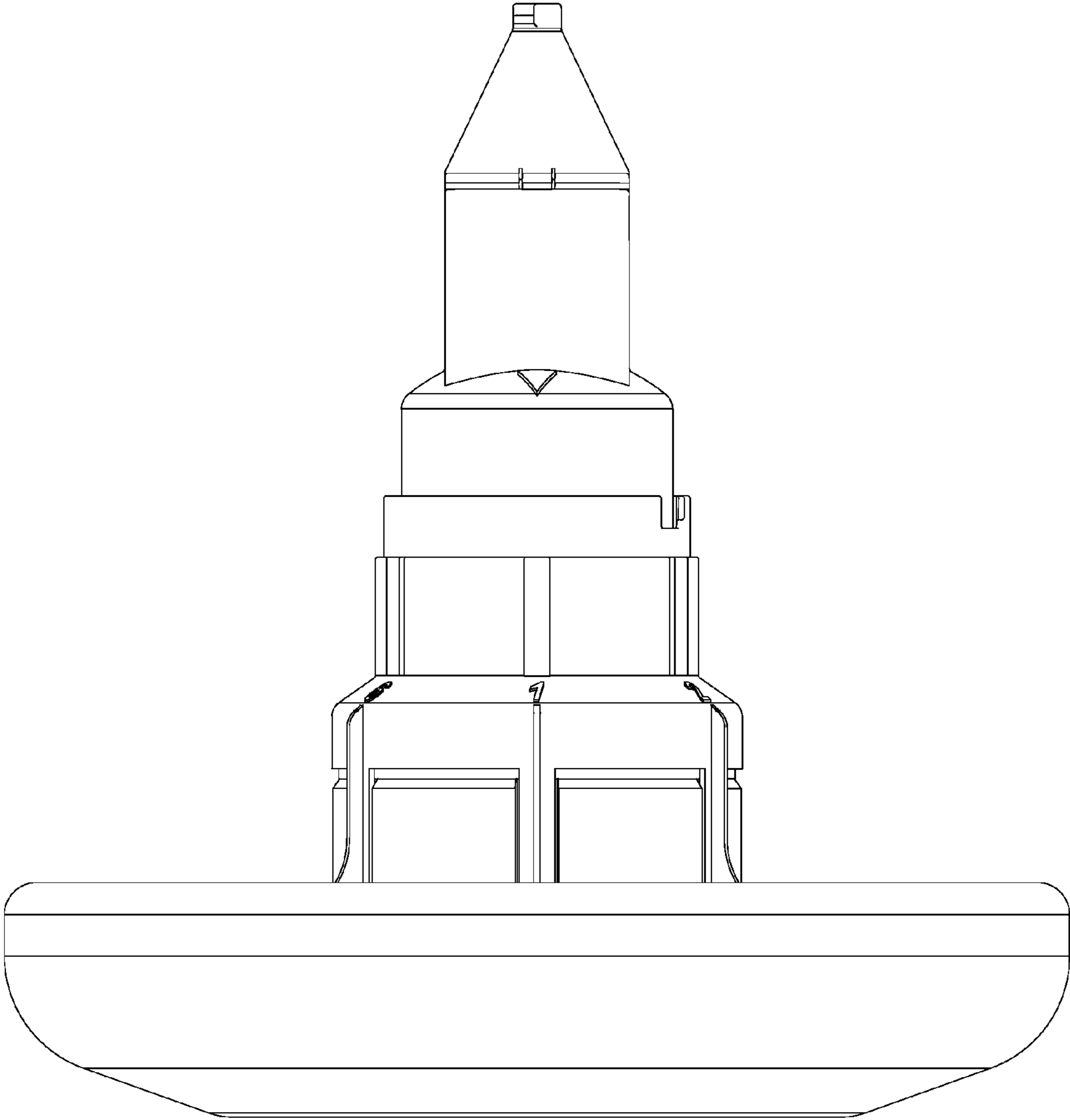


FIG. 7

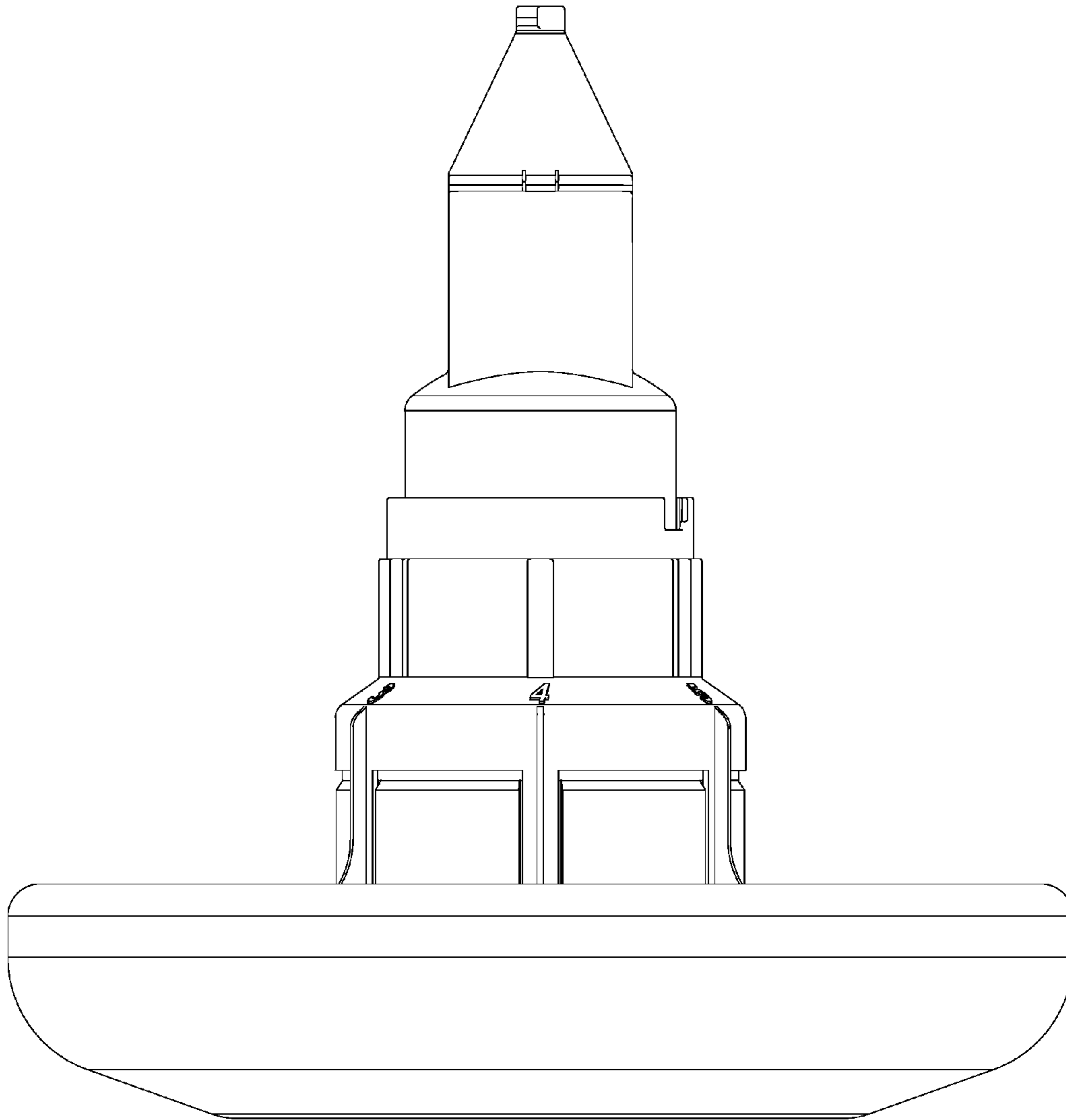


FIG. 8

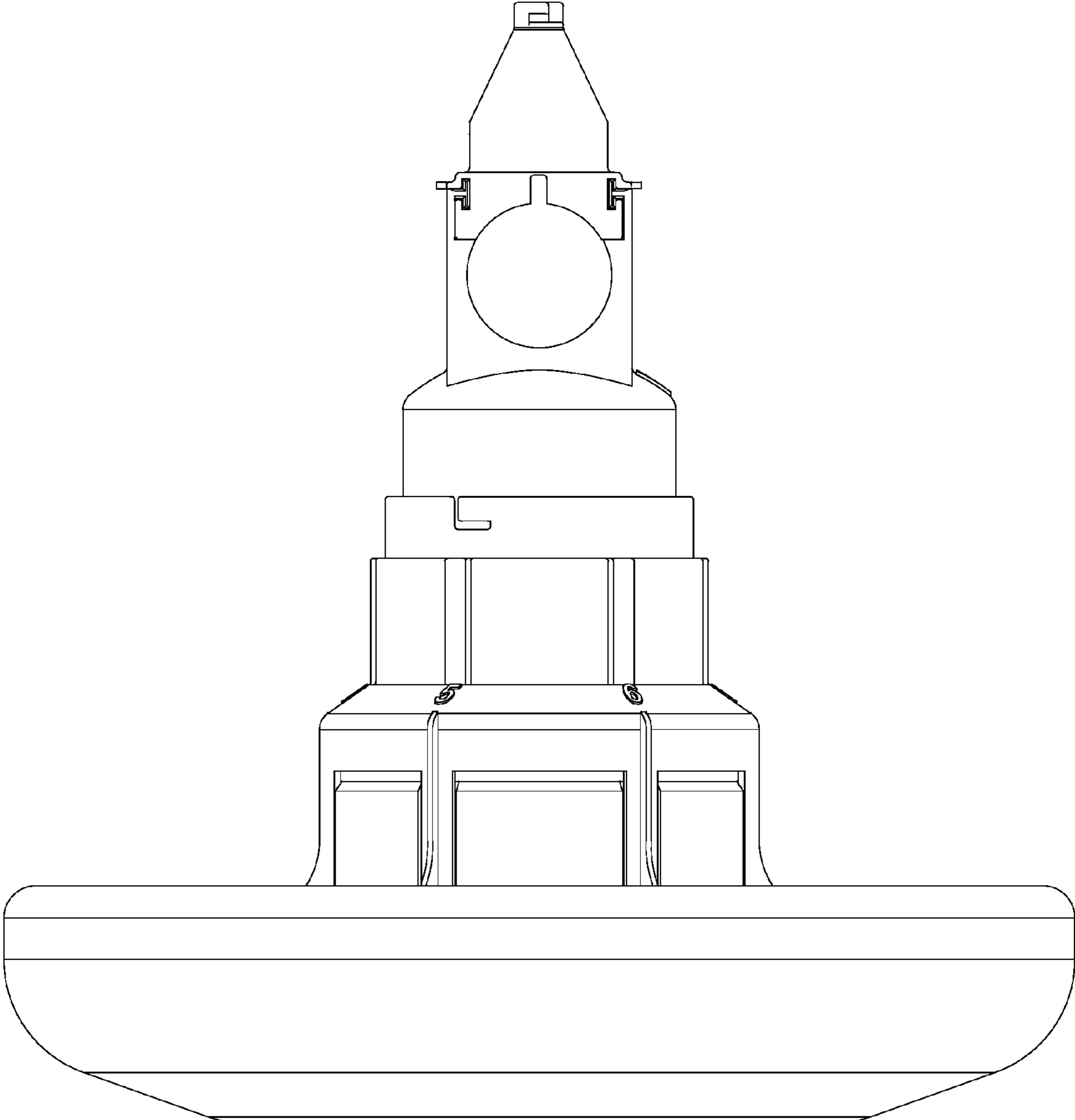


FIG. 9

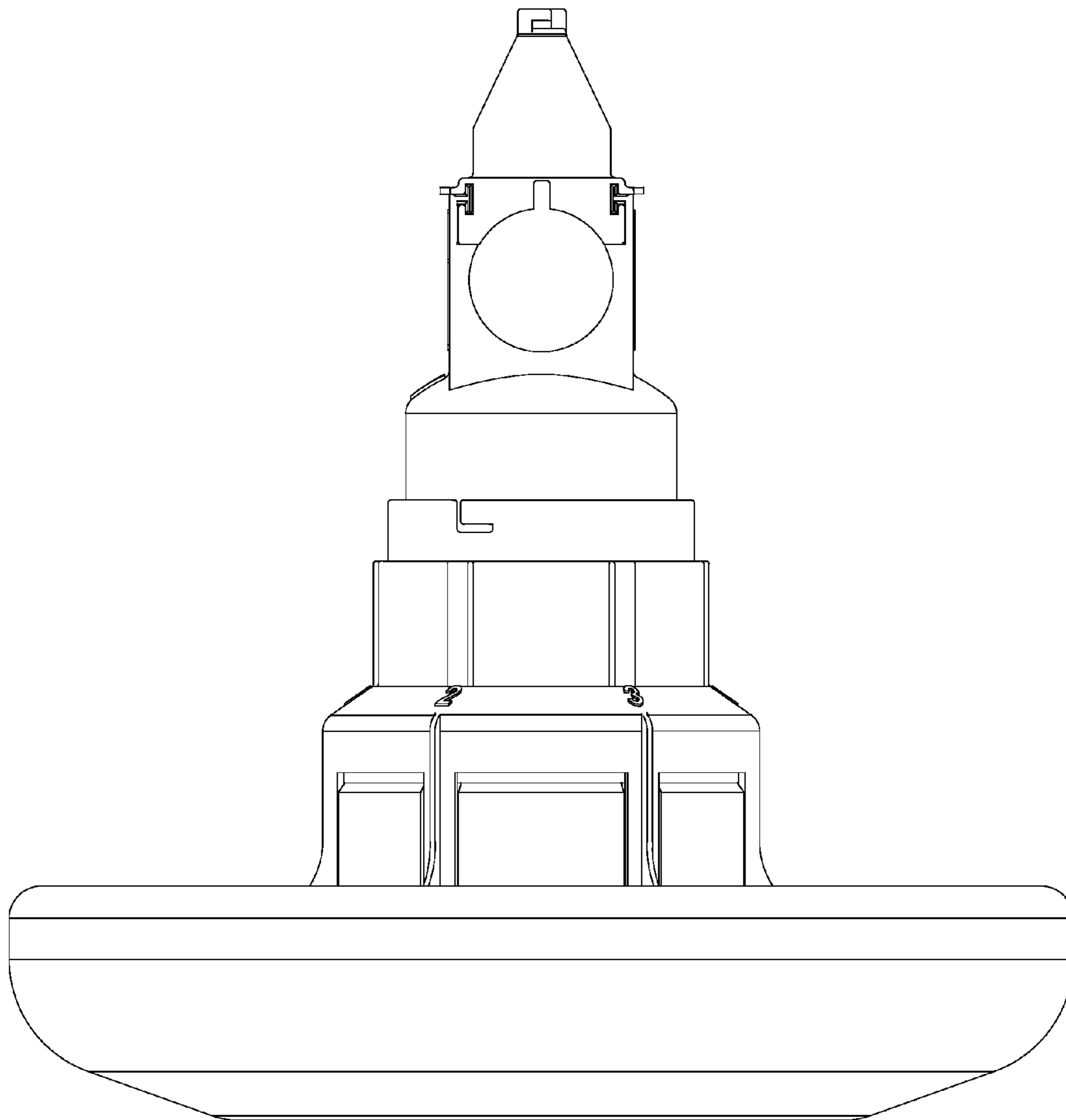


FIG. 10