



US00D625884S

(12) **United States Design Patent**
Ashok et al.

(10) **Patent No.:** **US D625,884 S**
(45) **Date of Patent:** **** Oct. 19, 2010**

(54) **MAGNIFYING NAIL CLIPPER/FILE**

(75) Inventors: **Khubani Ashok**, Fairfield, NJ (US);
Aaron Szymanski, Thomaston, CT (US)

(73) Assignee: **Ontel Products Corporation**, Fairfield, NJ (US)

(**) Term: **14 Years**

(21) Appl. No.: **29/315,834**

(22) Filed: **Jul. 27, 2009**

(51) **LOC (9) Cl.** **28-03**

(52) **U.S. Cl.** **D28/60**

(58) **Field of Classification Search** D28/57,
D28/60; 132/73, 73.5, 75.3, 75.4, 75.5, 75.6,
132/76.2; 30/26–29, 186; D16/135
See application file for complete search history.

(56) **References Cited**

U.S. PATENT DOCUMENTS

5,358,297	A *	10/1994	Coleman	294/99.2
5,546,658	A *	8/1996	MacLeod et al.	30/28
5,775,340	A *	7/1998	Rains	132/73.5
6,220,251	B1 *	4/2001	Jeong et al.	132/73.5
D584,453	S *	1/2009	Rollo et al.	D28/60
2003/0094183	A1 *	5/2003	Shaw	132/75.3
2008/0000088	A1 *	1/2008	Casillas et al.	30/28

* cited by examiner

Primary Examiner—Jennifer Rivard
(74) *Attorney, Agent, or Firm*—Robert L. Epstein; Epstein Drangel Bazerman & James, LLP

(57) **CLAIM**

The ornamental design for a magnifying nail clipper/file, substantially as shown and described.

DESCRIPTION

FIG. 1 is a perspective view of the magnifying nail clipper/file;

FIG. 2 is a front elevation view of the magnifying nail clipper/file;

FIG. 3 is a rear elevation view of the magnifying nail clipper/file;

FIG. 4 is an elevation view of the magnifying nail clipper/file showing one side thereof;

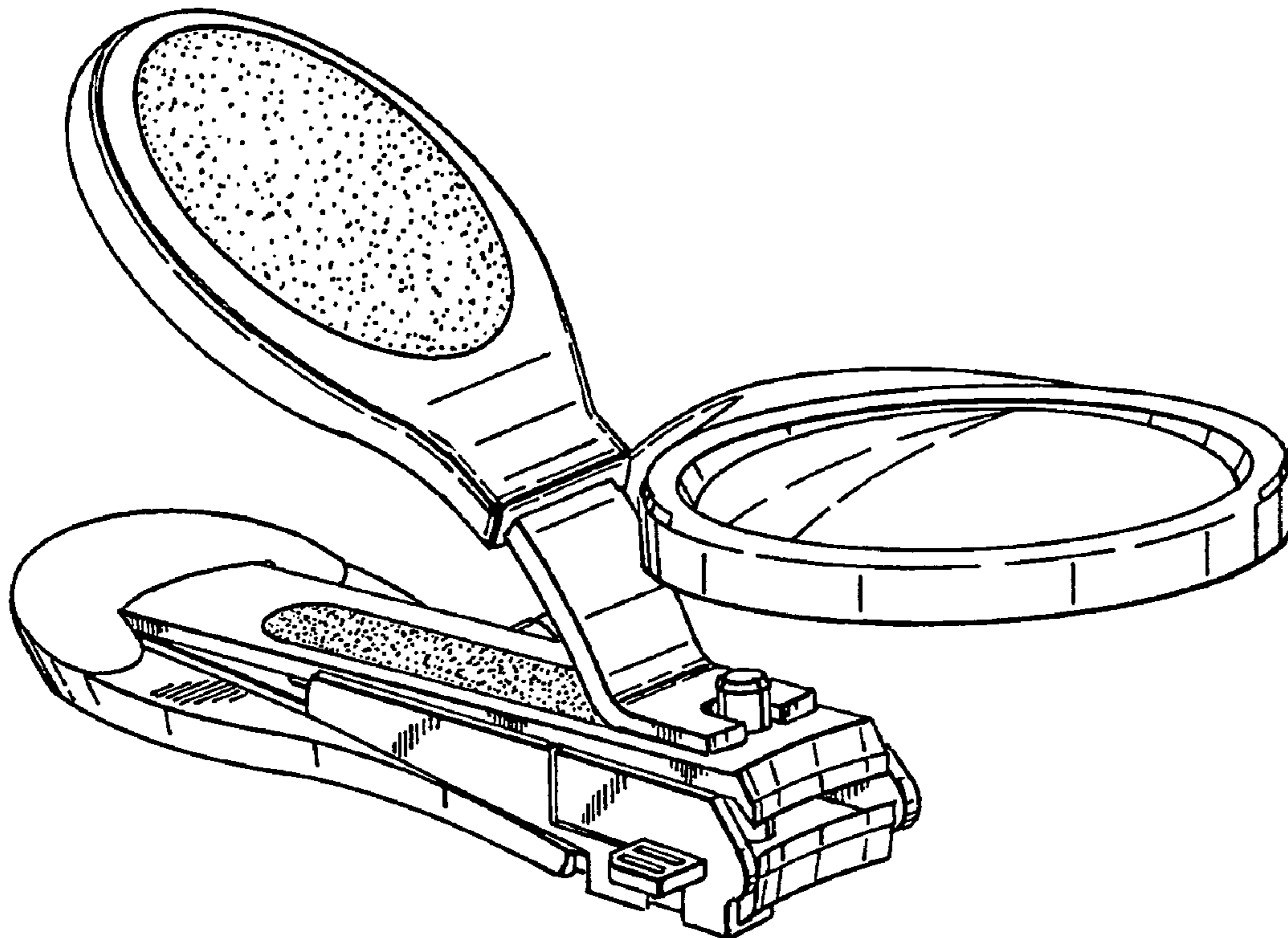
FIG. 5 is an elevation view of the magnifying nail clipper/file showing the other side thereof;

FIG. 6 is a top plan view of the magnifying nail clipper/file; and,

FIG. 7 is a bottom plan view of the magnifying nail clipper/file.

The broken lines shown in the drawings illustrate portions of the article and form no part of the claimed design.

1 Claim, 3 Drawing Sheets



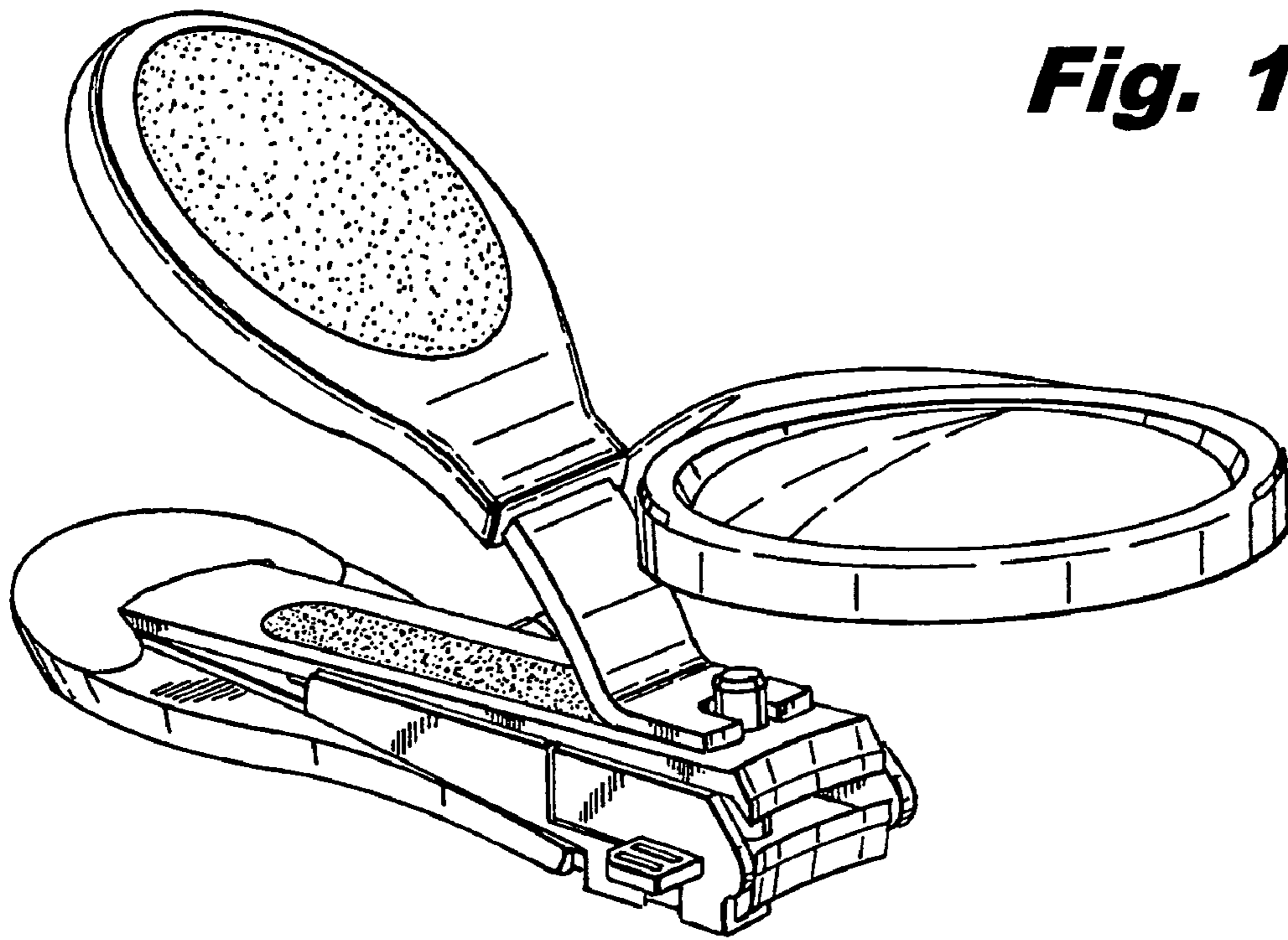


Fig. 1

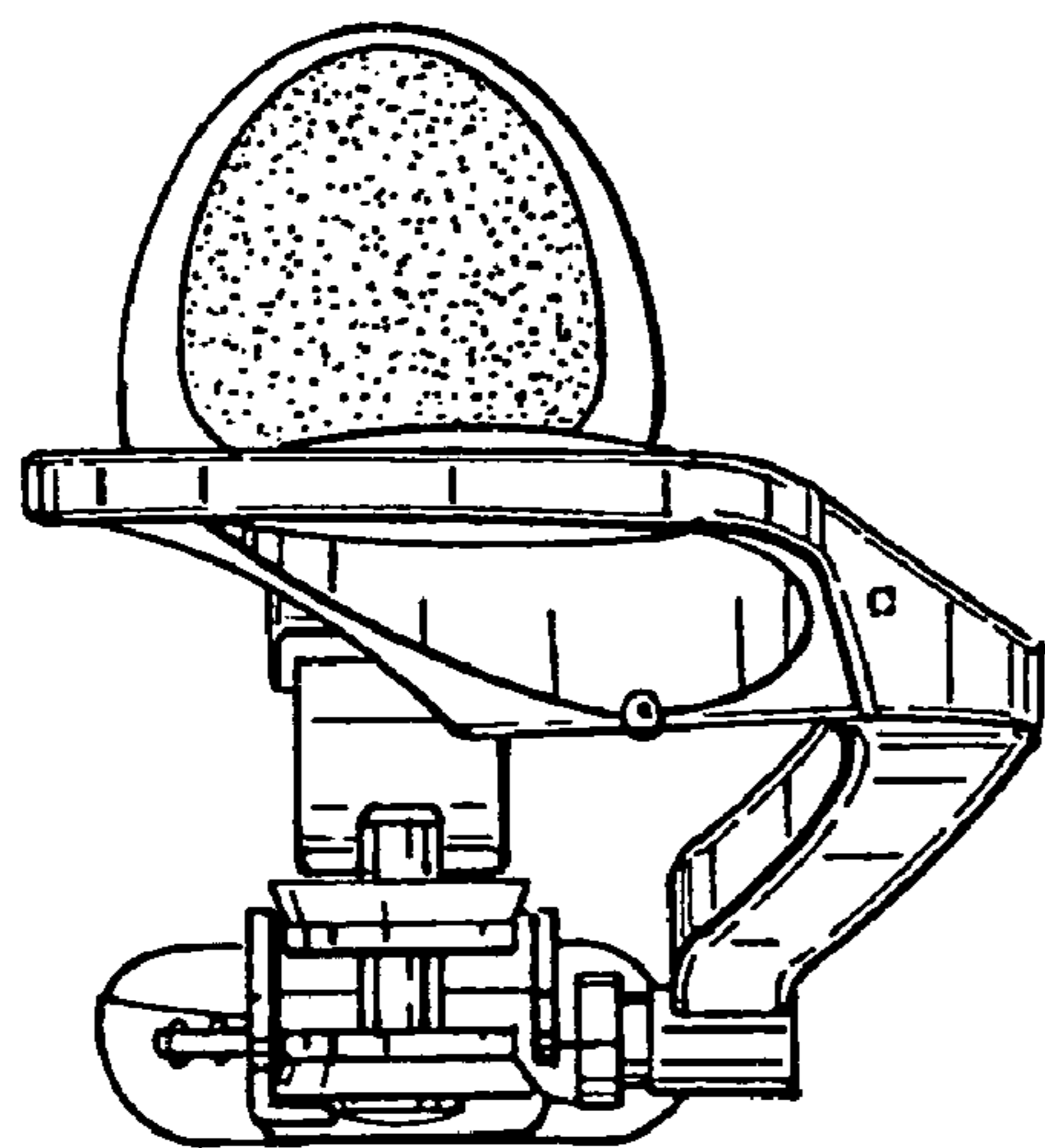


Fig. 2

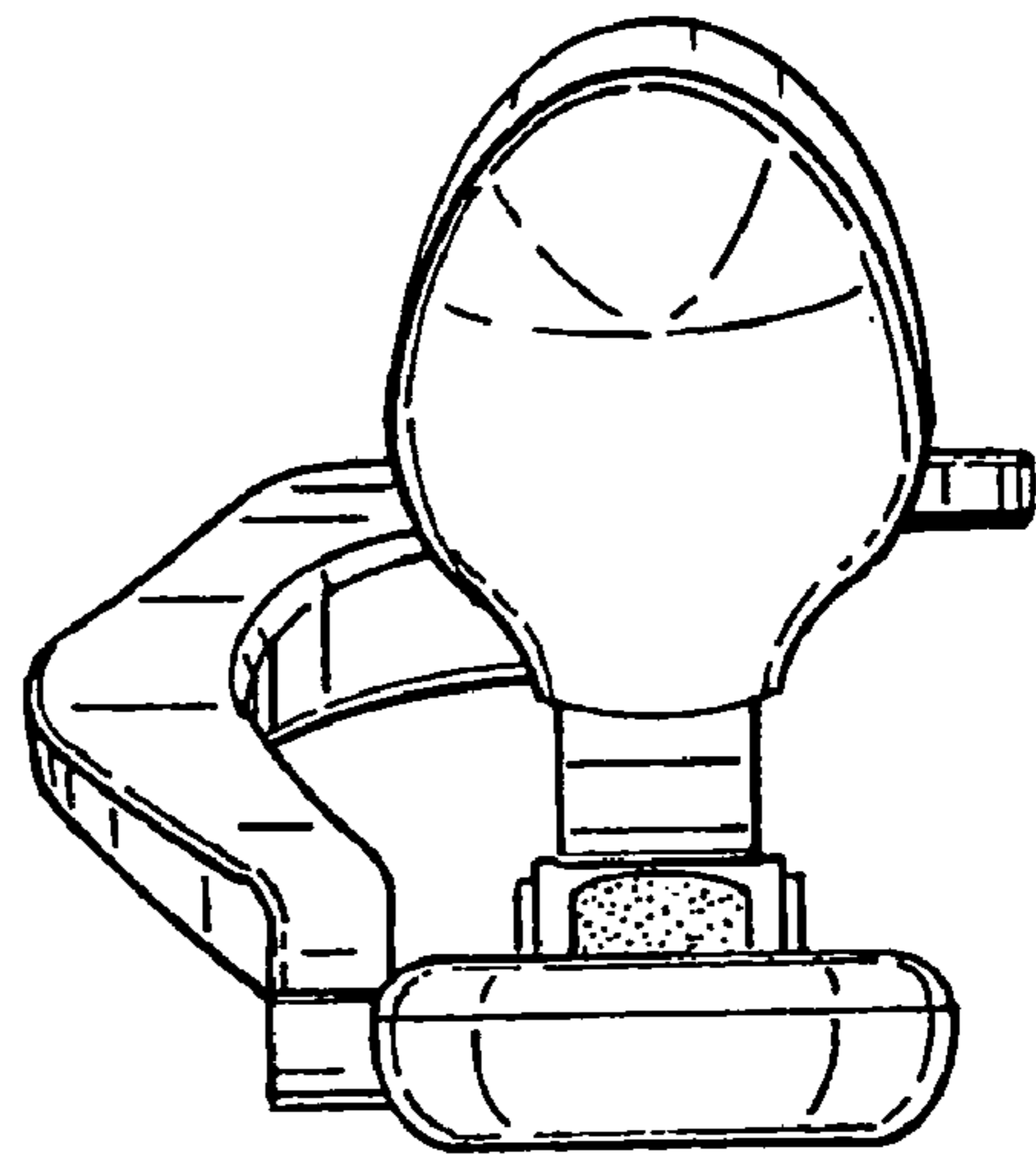


Fig. 3

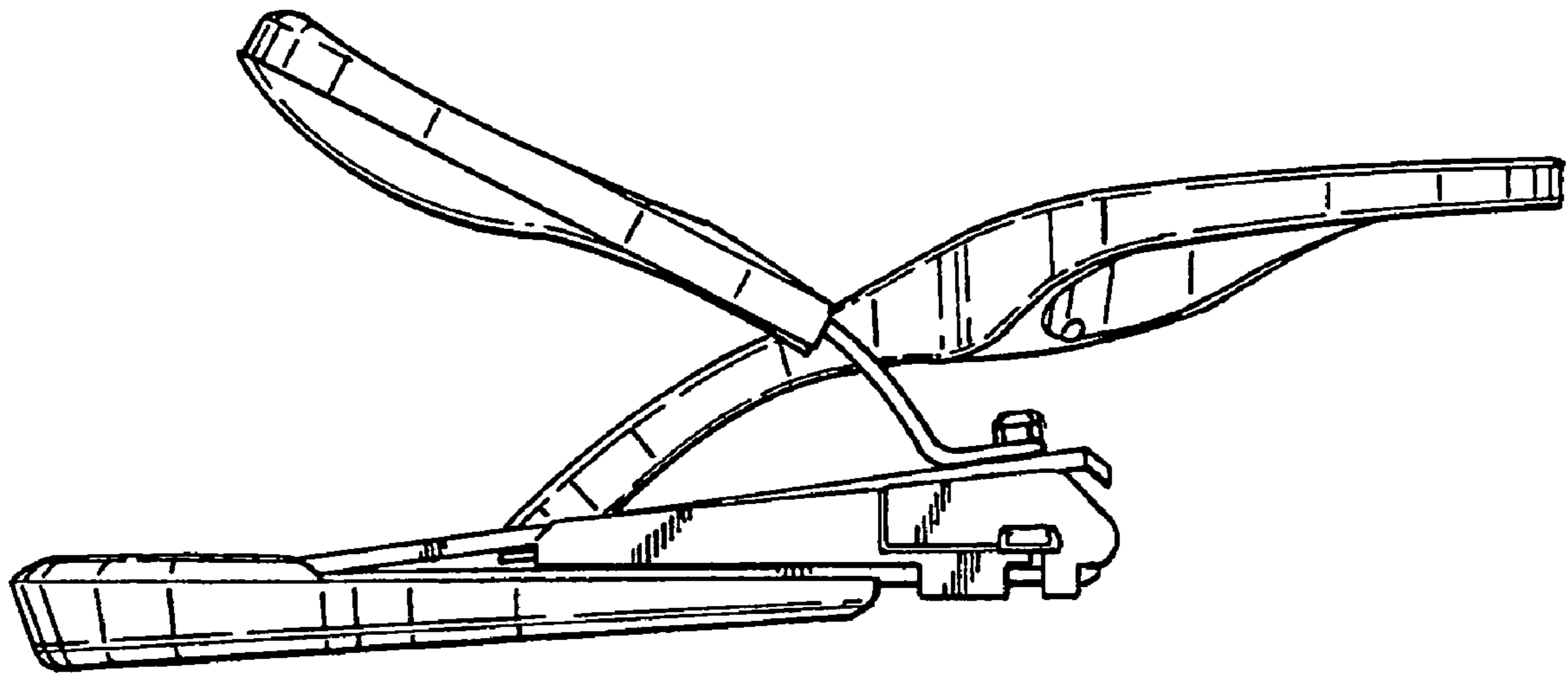


Fig. 4

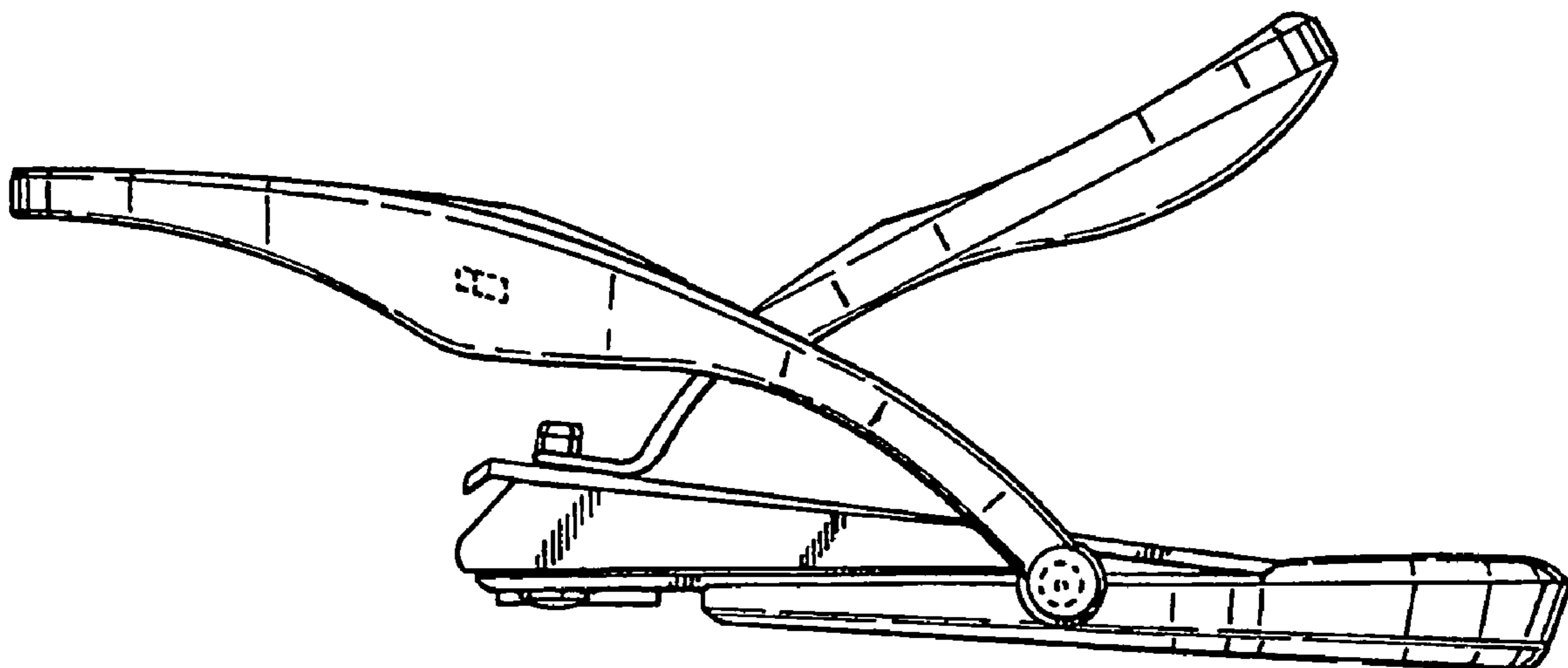


Fig. 5

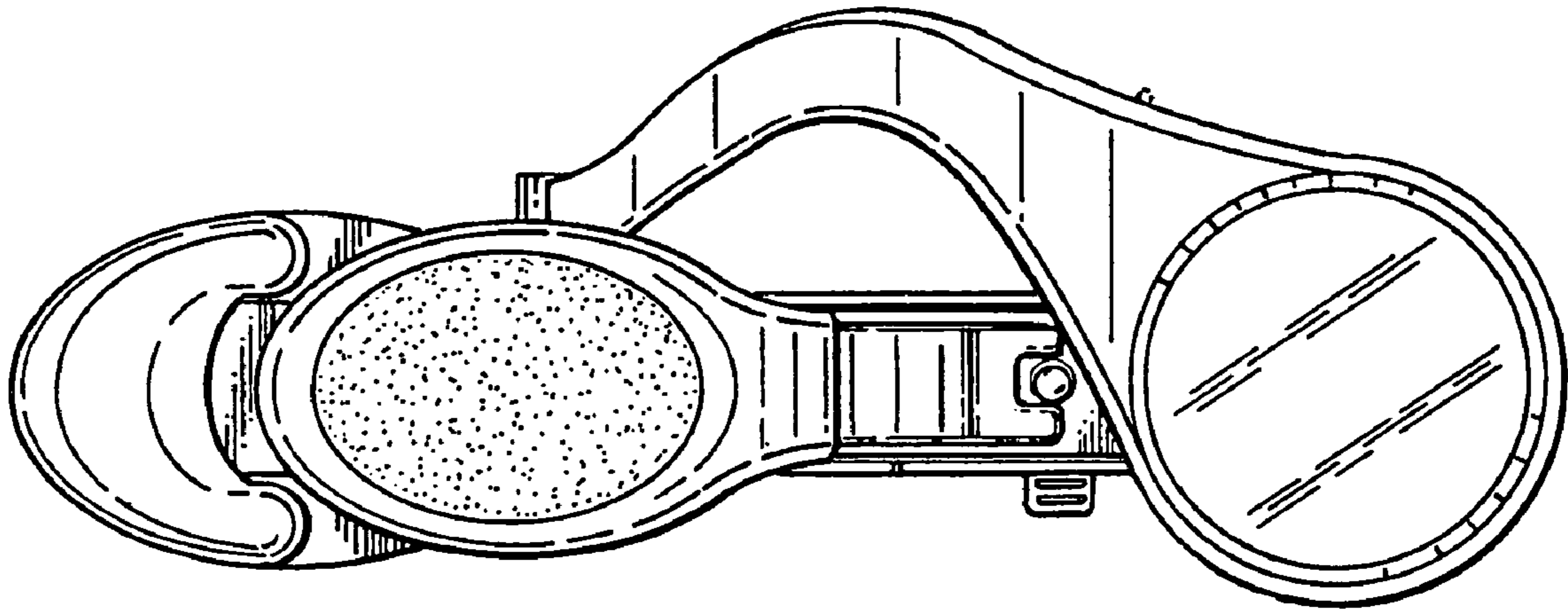


Fig. 6

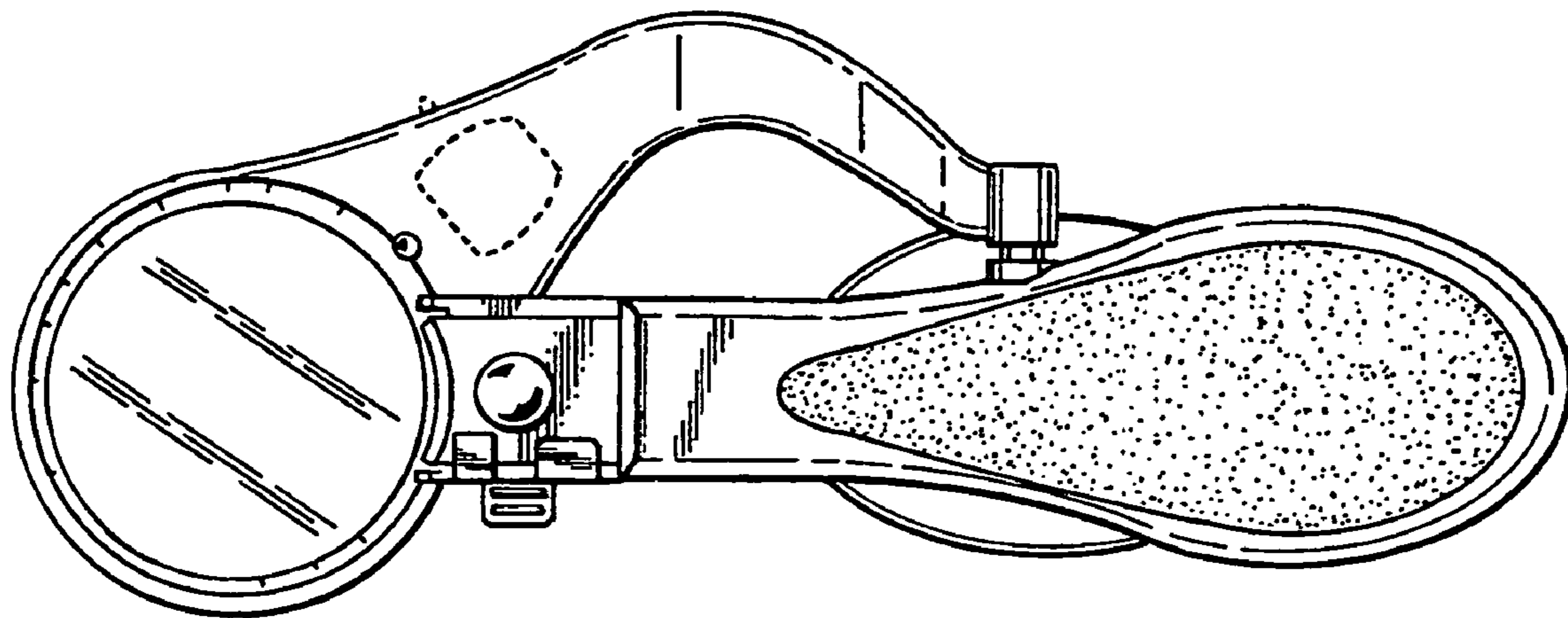


Fig. 7