



US00D625883S

(12) **United States Design Patent**
Wonderley

(10) **Patent No.:** **US D625,883 S**
(45) **Date of Patent:** **** Oct. 19, 2010**

(54) **RAZOR CARTRIDGE**

5,341,571 A 8/1994 Prochaska

(75) Inventor: **Jeffrey W. Wonderley**, Fort Defiance,
VA (US)

(Continued)

(73) Assignee: **American Safety Razor**, Verona, VA
(US)

FOREIGN PATENT DOCUMENTS

EP 0 578 658 B1 1/1994

(**) Term: **14 Years**

(21) Appl. No.: **29/351,096**

(Continued)

(22) Filed: **Nov. 30, 2009**

OTHER PUBLICATIONS

(51) **LOC (9) Cl.** **28-03**

Design Registration No. DM/053378, dated Jul. 27, 2000.

(52) **U.S. Cl.** **D28/47**

(Continued)

(58) **Field of Classification Search** 30/32,
30/34.05, 34.1-34.2, 41, 44-46, 47-51, 57-58,
30/77-84, 526-536, 537-539; D28/44-49
See application file for complete search history.

Primary Examiner—Jennifer Rivard

(74) *Attorney, Agent, or Firm*—McDermott Will & Emery
LLP

(56) **References Cited**

(57) **CLAIM**

U.S. PATENT DOCUMENTS

The ornamental design for a razor cartridge, as shown and
described.

1,992,565 A	2/1935	Biegmann
3,327,388 A	6/1967	Sooter
3,399,455 A	9/1968	Steere, Jr.
3,609,862 A	10/1971	Ernstberger
D251,896 S	5/1979	Nissen
4,328,615 A	5/1982	Bowman et al.
D271,531 S	11/1983	Byrne
4,443,938 A	4/1984	Bowman et al.
D284,316 S	6/1986	Halm
4,709,476 A	12/1987	Shurtleff et al.
D294,528 S	3/1988	Gray
D306,216 S	2/1990	Gray
D308,427 S	6/1990	Gyllerstrom
4,985,995 A	1/1991	Coffin
4,996,772 A	3/1991	Iten
5,070,613 A	12/1991	Althaus et al.
D343,254 S	1/1994	Miller et al.
D343,255 S	1/1994	Miller et al.
D345,233 S	3/1994	Gray

DESCRIPTION

FIG. 1 is a front perspective view of the razor cartridge,
showing the new design;

FIG. 2 is a front view of the razor cartridge;

FIG. 3 is a rear view of the razor cartridge;

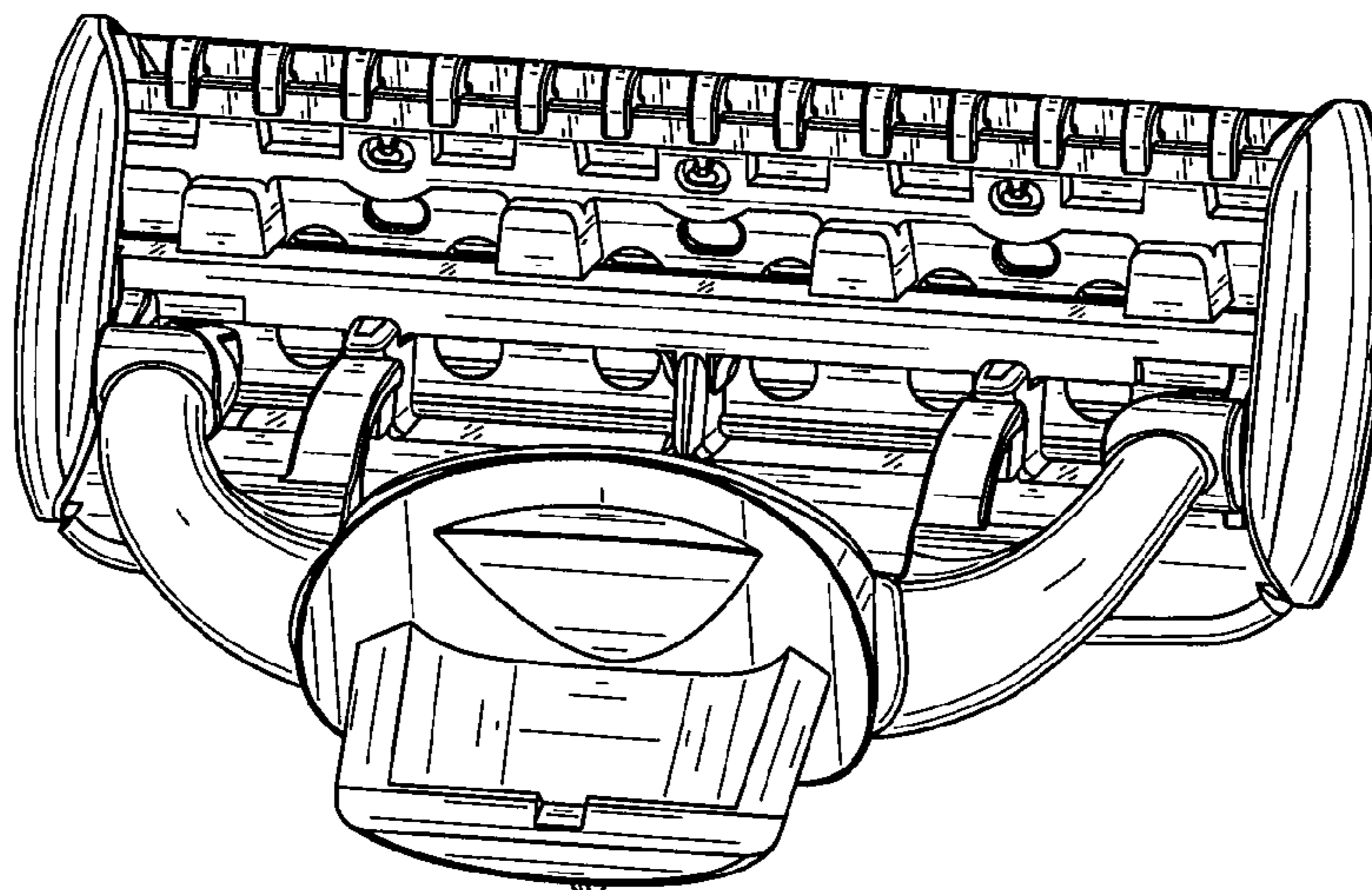
FIG. 4 is a side view of the razor cartridge;

FIG. 5 is another side view of the razor cartridge;

FIG. 6 is a top view of the razor cartridge; and,

FIG. 7 is a bottom view of the razor cartridge.

1 Claim, 4 Drawing Sheets



US D625,883 S

Page 2

U.S. PATENT DOCUMENTS

5,416,973 A 5/1995 Brown et al.
5,426,851 A 6/1995 Gilder et al.
5,522,137 A 6/1996 Andrews
D373,218 S 8/1996 Shurtleff et al.
5,557,851 A 9/1996 Ortiz
5,575,068 A 11/1996 Pedersen
5,661,907 A 9/1997 Apprille, Jr.
5,669,139 A 9/1997 Oldroyd et al.
5,689,883 A 11/1997 Ortiz et al.
5,784,790 A 7/1998 Carson, III et al.
5,787,586 A 8/1998 Apprille, Jr. et al.
5,813,293 A 9/1998 Apprille, Jr. et al.
5,865,189 A 2/1999 Andrews
D407,531 S 3/1999 Lee
5,893,213 A 4/1999 Motta
6,029,354 A 2/2000 Apprille, Jr. et al.
6,112,412 A 9/2000 Richard
6,131,287 A 10/2000 Prochaska et al.
6,138,361 A 10/2000 Richard et al.
6,161,288 A 12/2000 Andrews
D437,087 S 1/2001 Yamagishi
6,167,625 B1 1/2001 King et al.
6,182,366 B1 2/2001 Richard
6,192,586 B1 2/2001 Metcalf et al.
D440,012 S 4/2001 Lee
6,212,777 B1 4/2001 Gilder et al.
6,216,349 B1 4/2001 Gilder et al.
D443,111 S 5/2001 Nakasuka
6,276,061 B1 8/2001 Rozenkranc
6,539,633 B1 4/2003 Rebaudieres
D487,822 S 3/2004 Lee
D490,569 S 5/2004 Prochaska
D509,321 S 9/2005 Gray

6,941,659 B2 9/2005 Gilder
7,047,646 B2 5/2006 Coffin
7,131,202 B2 11/2006 Pennell et al.
D533,684 S 12/2006 Gray et al.
D534,313 S 12/2006 Provost et al.
D534,315 S 12/2006 Provost et al.
D534,686 S 1/2007 Provost et al.
D534,688 S 1/2007 Provost et al.
7,168,173 B2 1/2007 Worrick, III
7,191,523 B2 3/2007 Miyazaki et al.
7,197,825 B2 4/2007 Walker et al.
7,210,229 B2 5/2007 Coffin
D588,309 S * 3/2009 Wonderley D28/47
D604,012 S * 11/2009 Jung D28/46
D615,704 S * 5/2010 Wonderley et al. D28/46
2004/0055156 A1 3/2004 Brown, Jr.
2005/0022386 A1 2/2005 Macove
2005/0198829 A1 9/2005 Gray et al.
2005/0198830 A1 9/2005 Walker et al.
2005/0198837 A1 9/2005 Rawle et al.
2005/0198839 A1 9/2005 Walker
2006/0162167 A1 7/2006 Walker
2006/0196054 A1 9/2006 Luxton
2007/0062044 A1 3/2007 Walker et al.

FOREIGN PATENT DOCUMENTS

EP 0 878 275 A1 11/1998
WO WO 2005/090018 A1 9/2005
WO WO 2005/090019 A1 9/2005

OTHER PUBLICATIONS

Design Registration No. DM/047940, dated May 25, 1999.

* cited by examiner

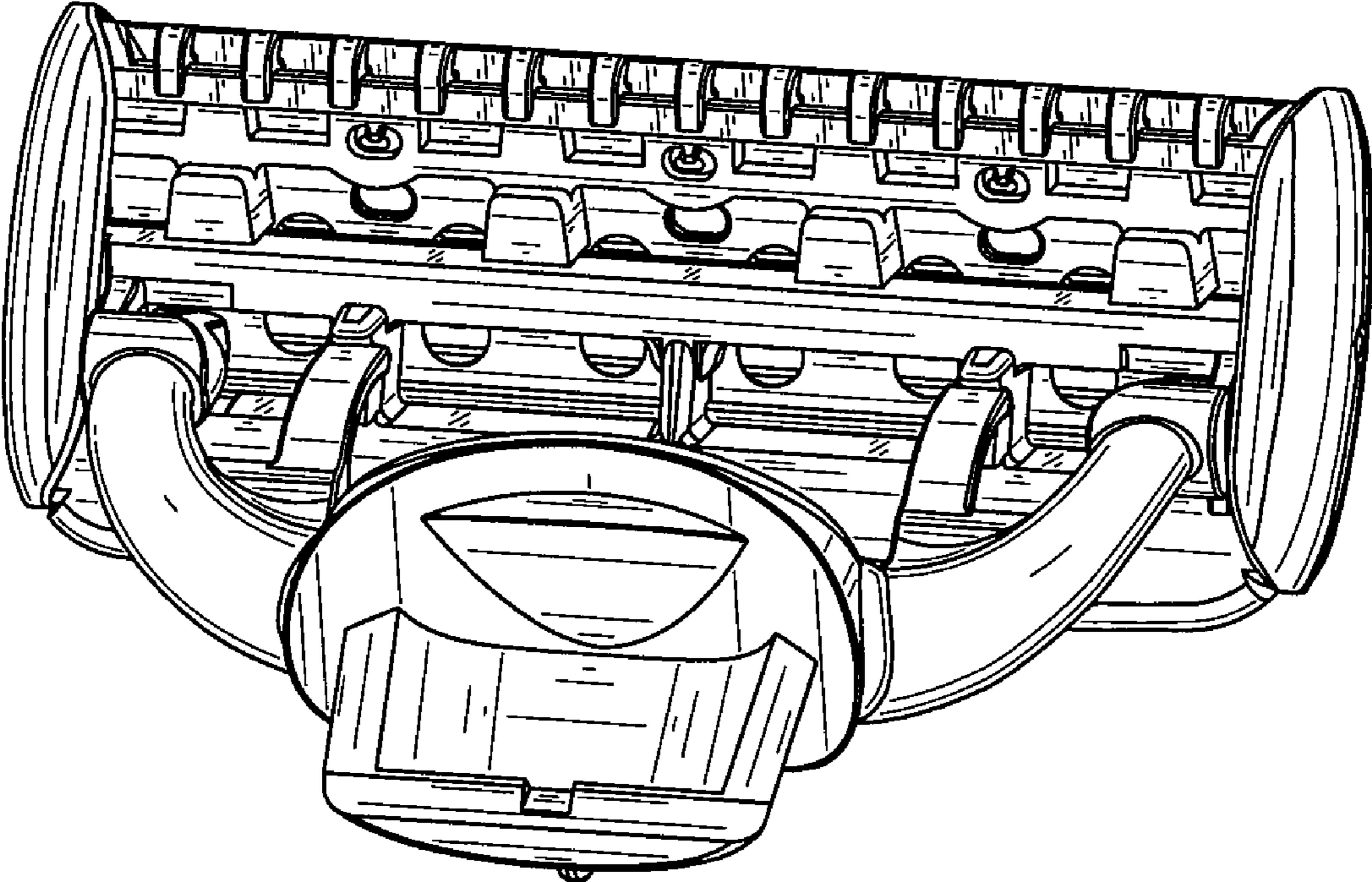


FIG. 1

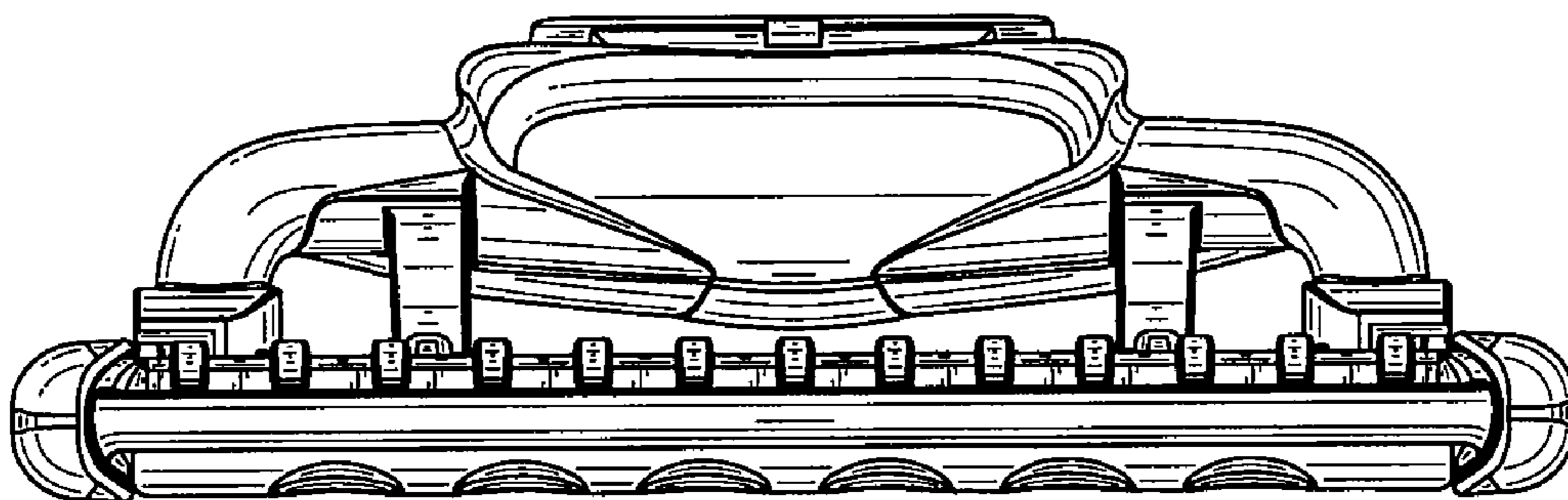


FIG. 2

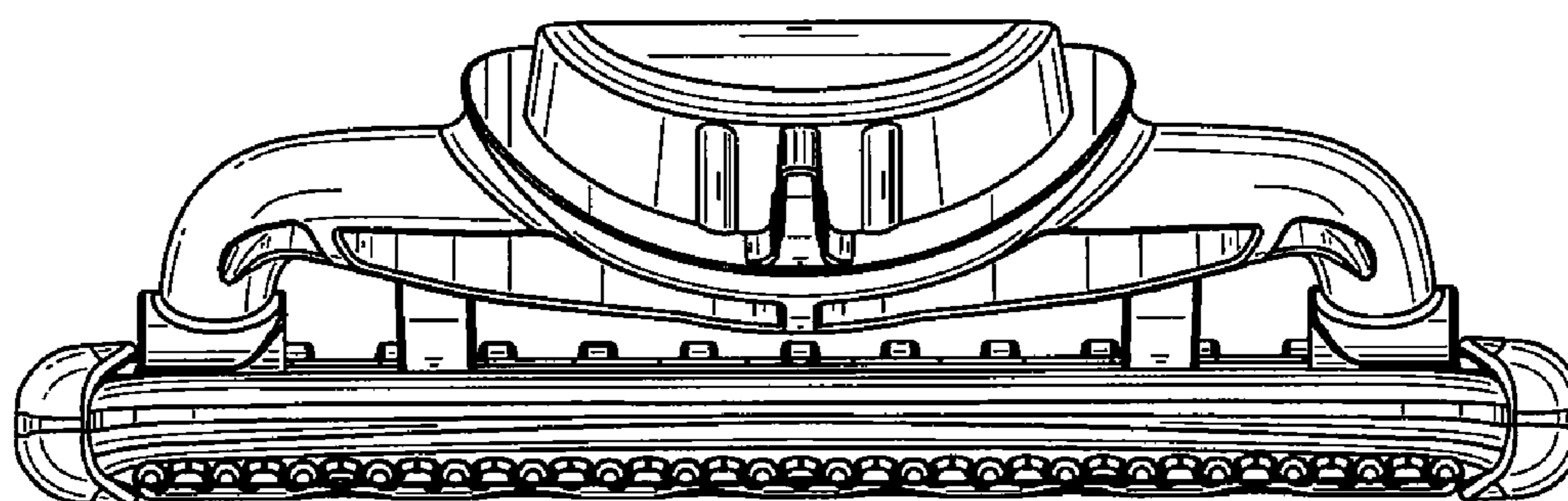


FIG. 3

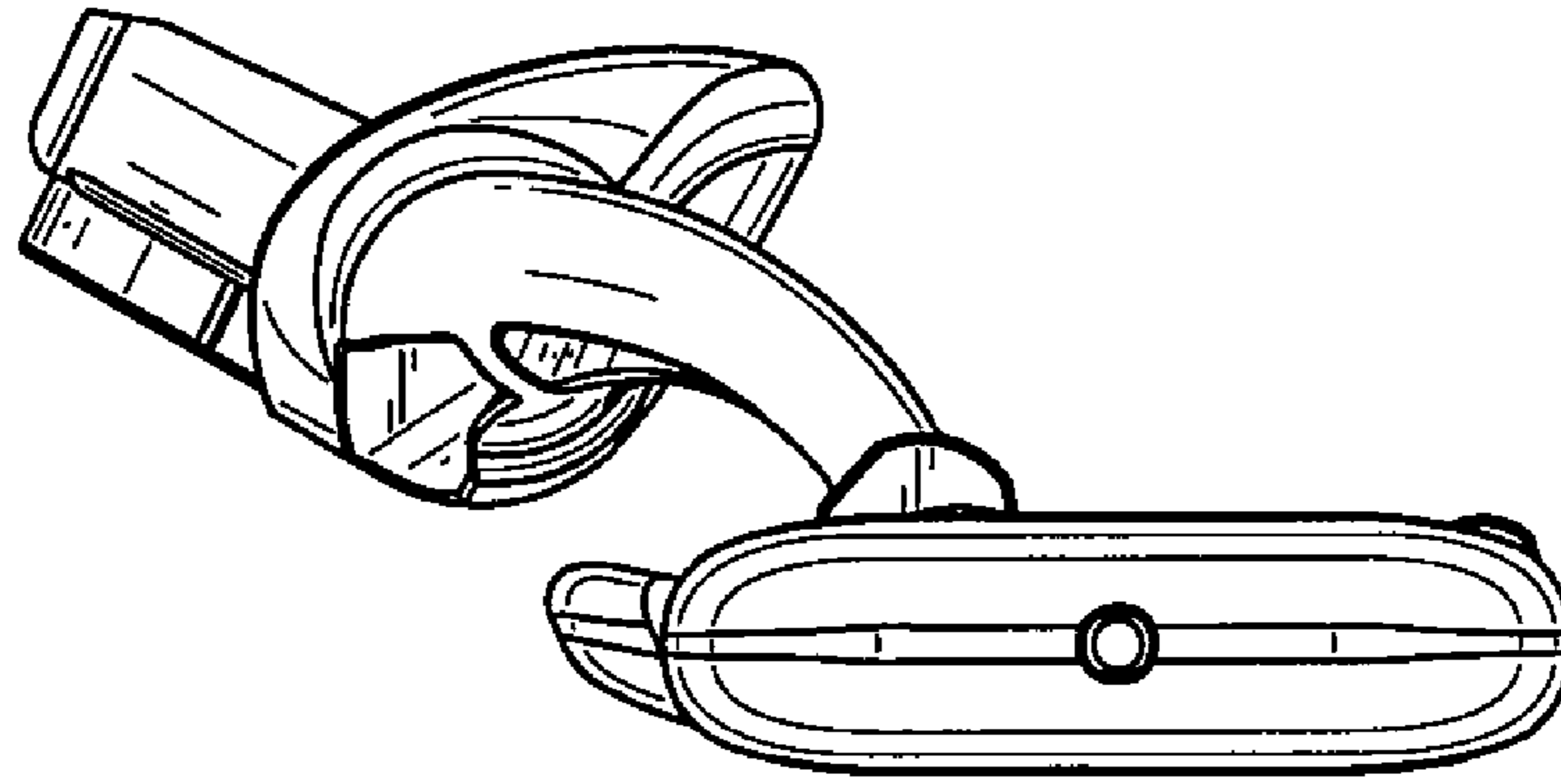


FIG. 4

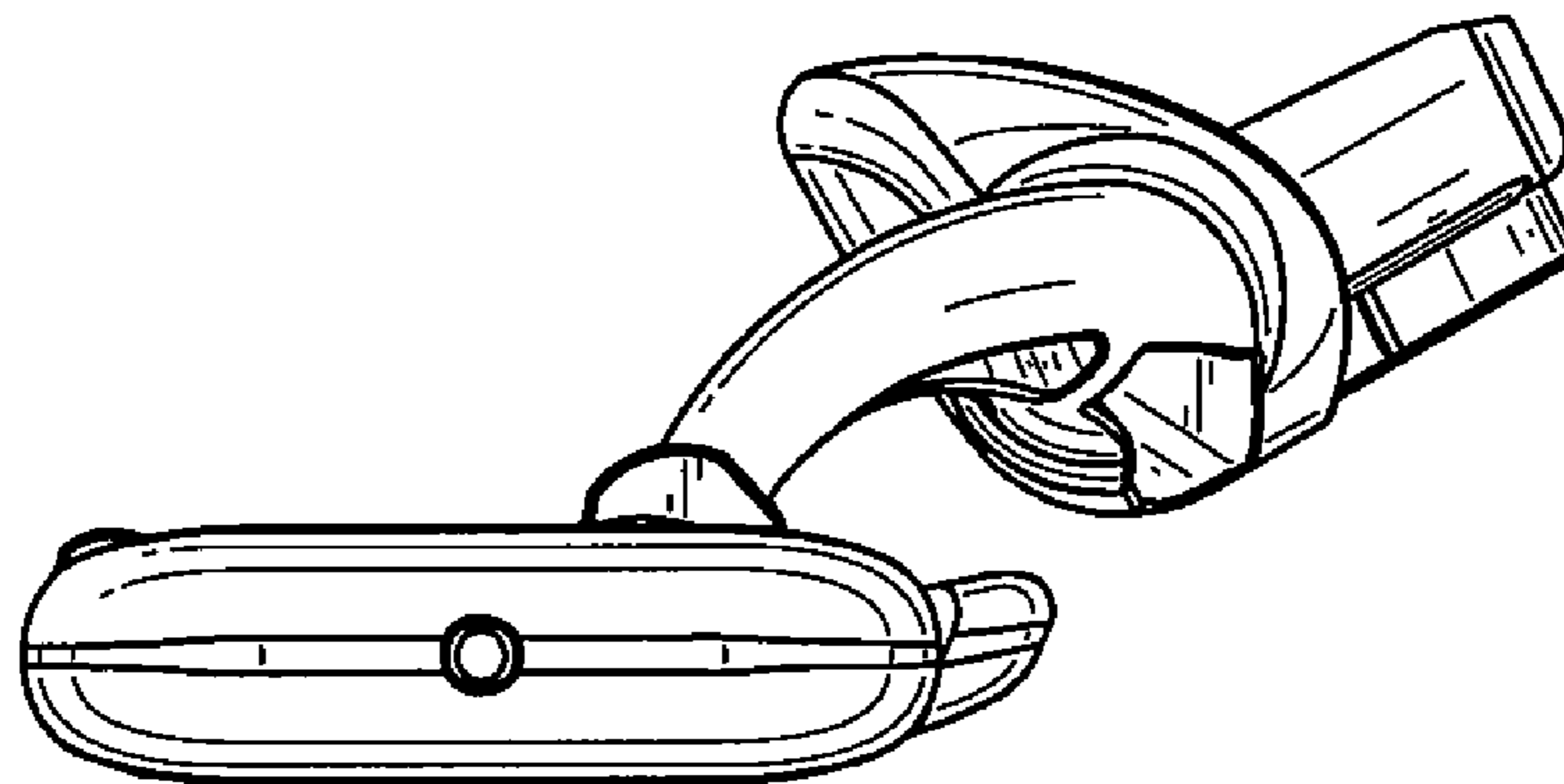


FIG. 5

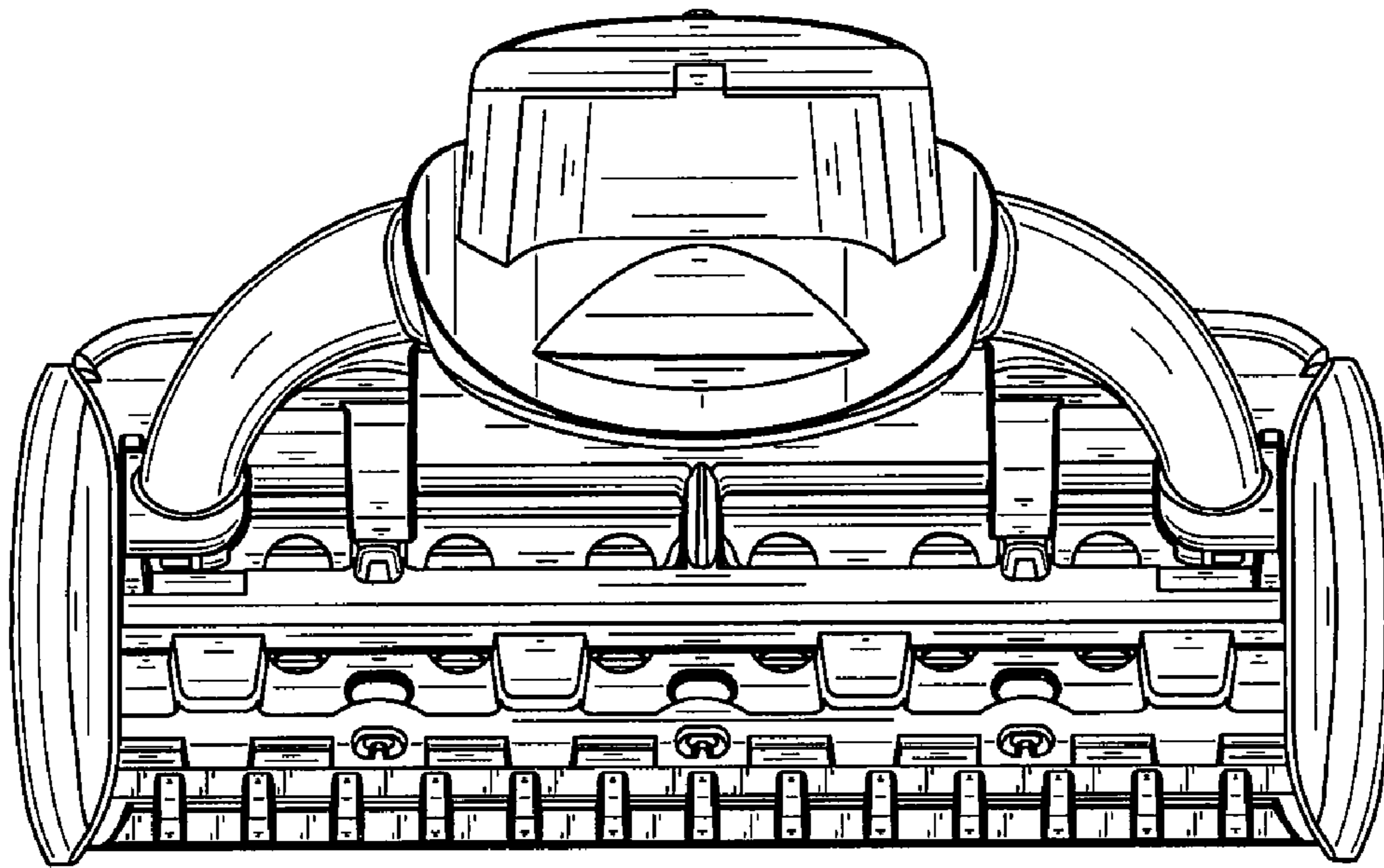


FIG. 6

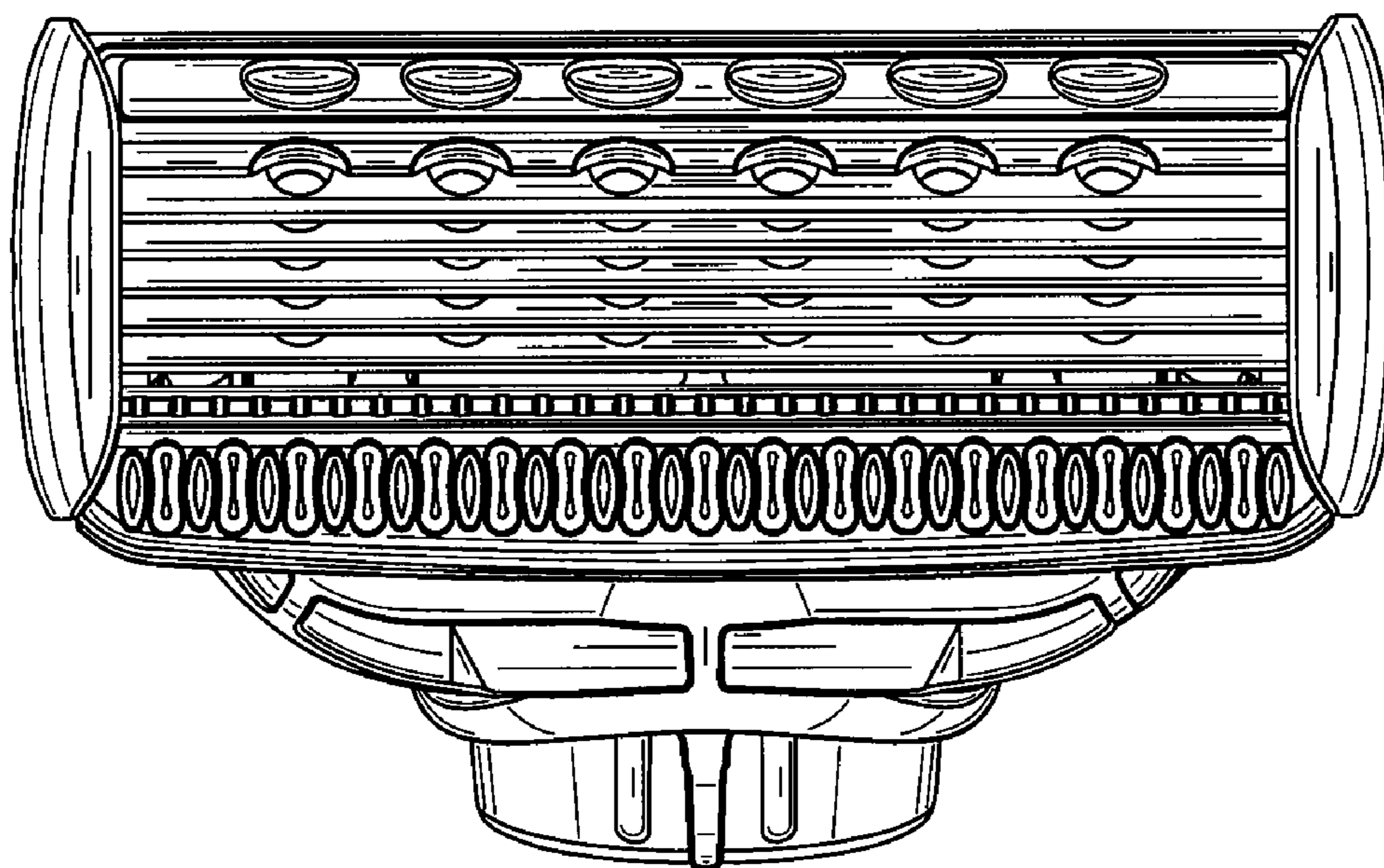


FIG. 7