



US00D625879S

(12) **United States Design Patent**
Sabernig

(10) **Patent No.:** **US D625,879 S**

(45) **Date of Patent:** **** Oct. 19, 2010**

(54) **LIGHT FIXTURE**

(75) Inventor: **Robert Sabernig**, Munster (AT)

(73) Assignee: **EGLO Leuchten GmbH**, Innsbruck (AT)

(**) Term: **14 Years**

(21) Appl. No.: **29/352,815**

(22) Filed: **Dec. 28, 2009**

(51) **LOC (9) Cl.** **23-03**

(52) **U.S. Cl.** **D26/93**

(58) **Field of Classification Search** D26/1,
D26/24, 67-6, 93-94, 101, 104-110, 113,
D26/118; 362/3, 153, 186, 217, 255, 257,
362/277, 317, 351, 353, 362, 363, 382, 431,
362/433, 458, 806

See application file for complete search history.

(56) **References Cited**

U.S. PATENT DOCUMENTS

D234,623 S * 3/1975 Gore D26/24
D468,044 S * 12/2002 Lam D26/72

D577,458 S * 9/2008 Chan et al. D26/104
D585,580 S * 1/2009 Riffel et al. D26/72
D604,887 S * 11/2009 Sanoner D26/105
D605,337 S * 12/2009 Zhang et al. D26/93

* cited by examiner

Primary Examiner—Brian N Vinson

(74) *Attorney, Agent, or Firm*—Baker & McKenzie LLP

(57) **CLAIM**

The ornamental design for a light fixture, as shown and described.

DESCRIPTION

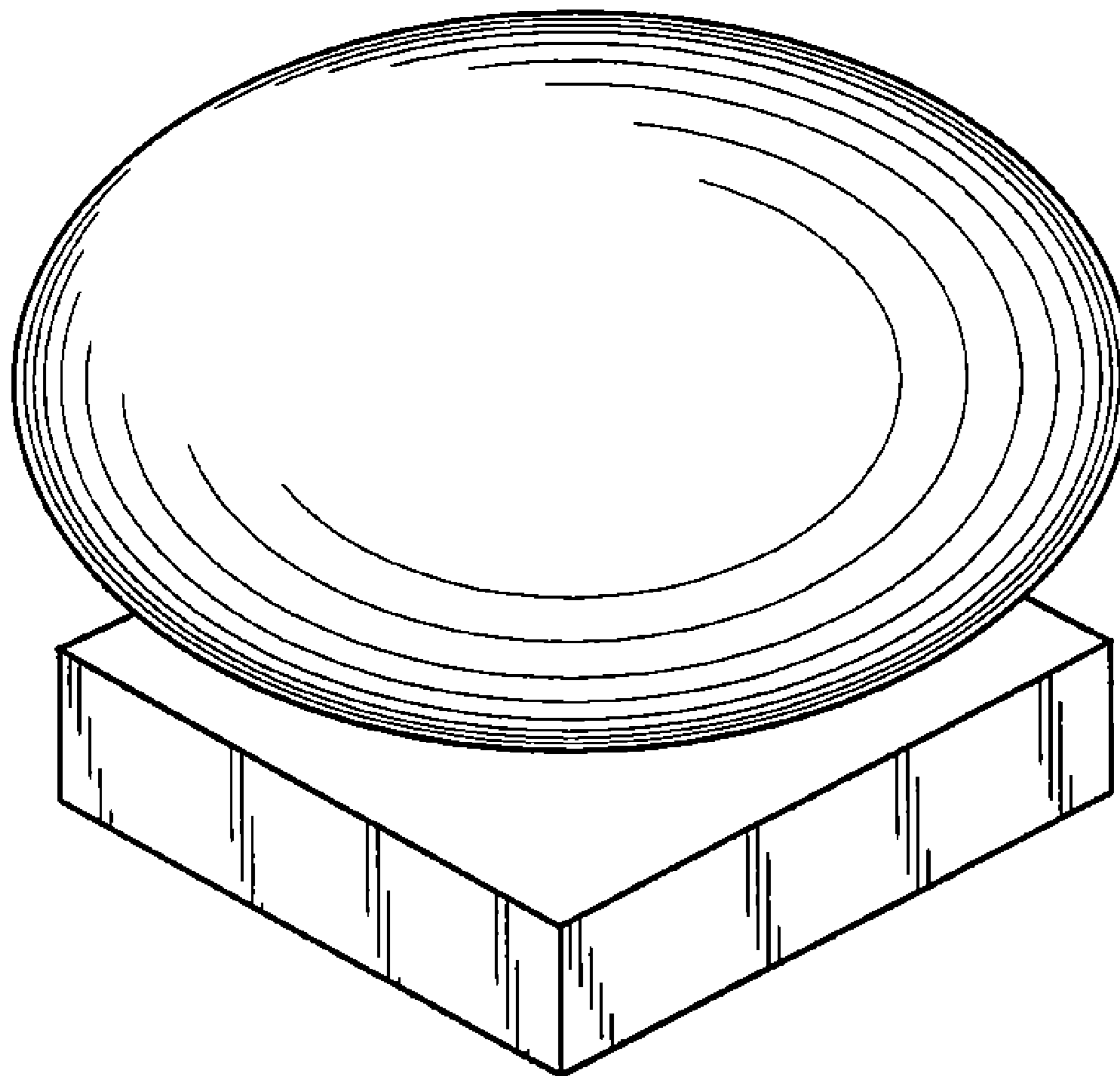
FIG. 1 is a perspective view of a light fixture in accordance with my design;

FIG. 2 is a side elevation view of the light fixture in accordance with my design, all side views being substantially identical;

FIG. 3 is a top plan view of the light fixture in accordance with my design; and,

FIG. 4 is a bottom plan view of the light fixture in accordance with my design.

1 Claim, 1 Drawing Sheet



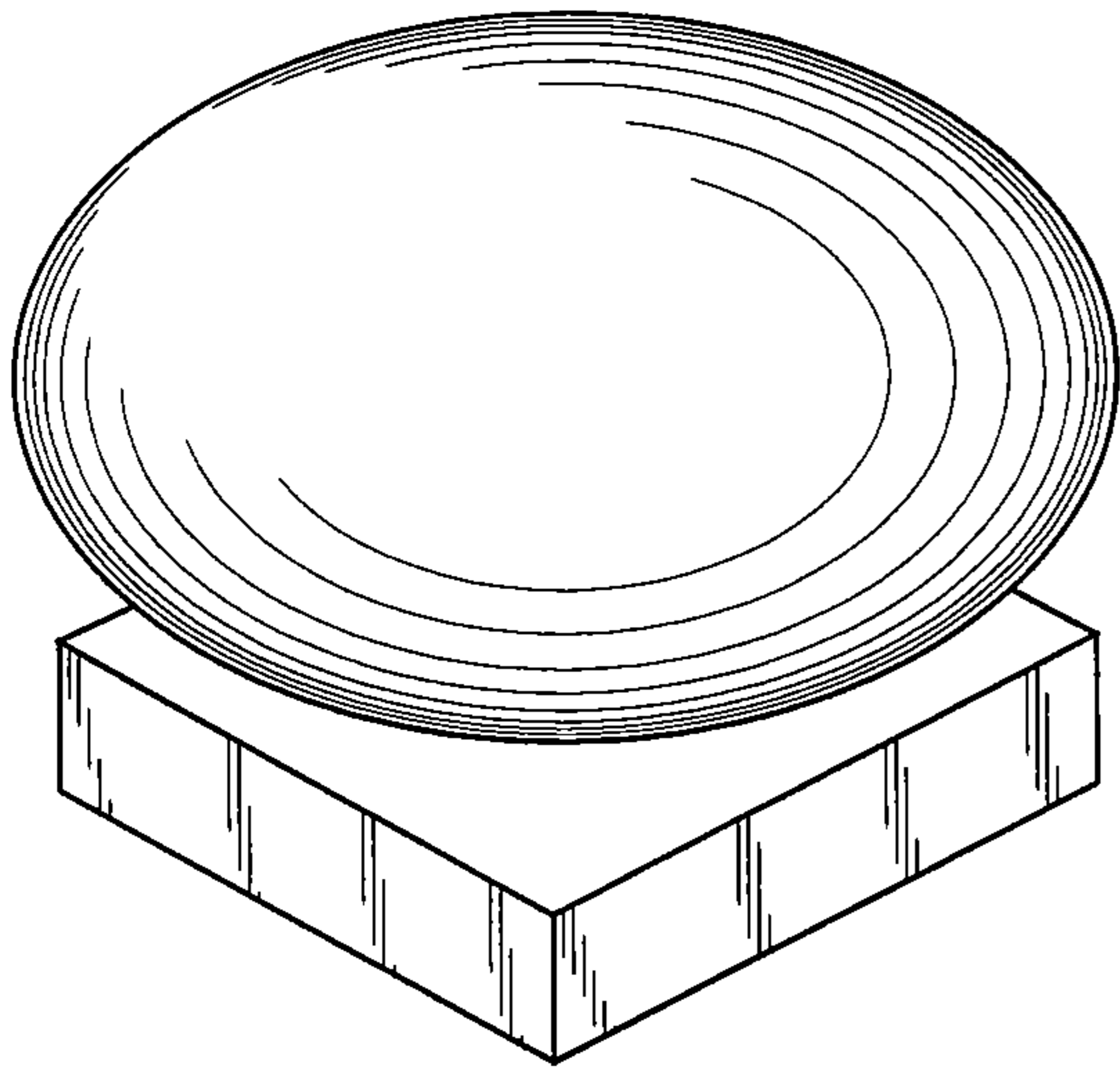


Fig.1

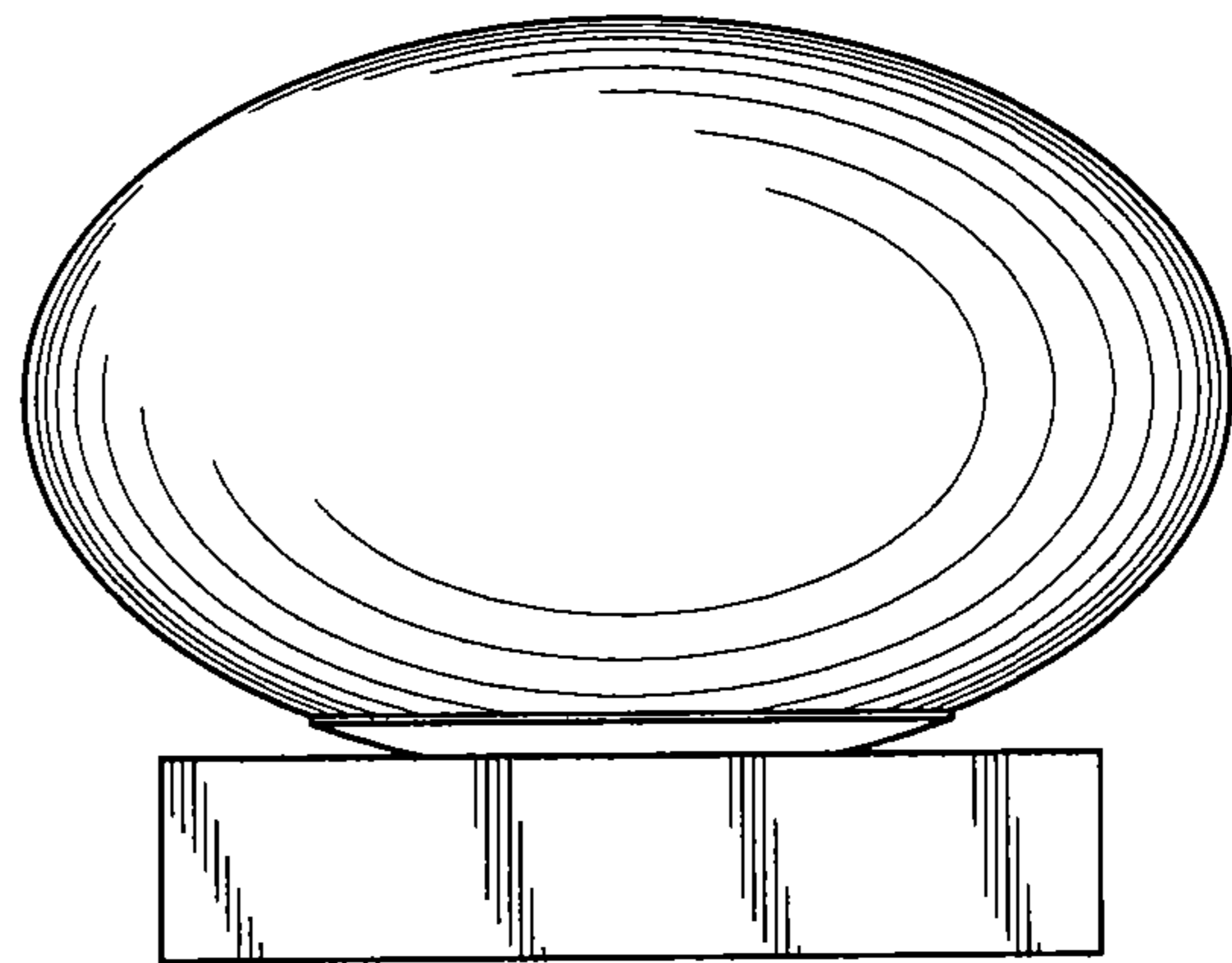


Fig.2

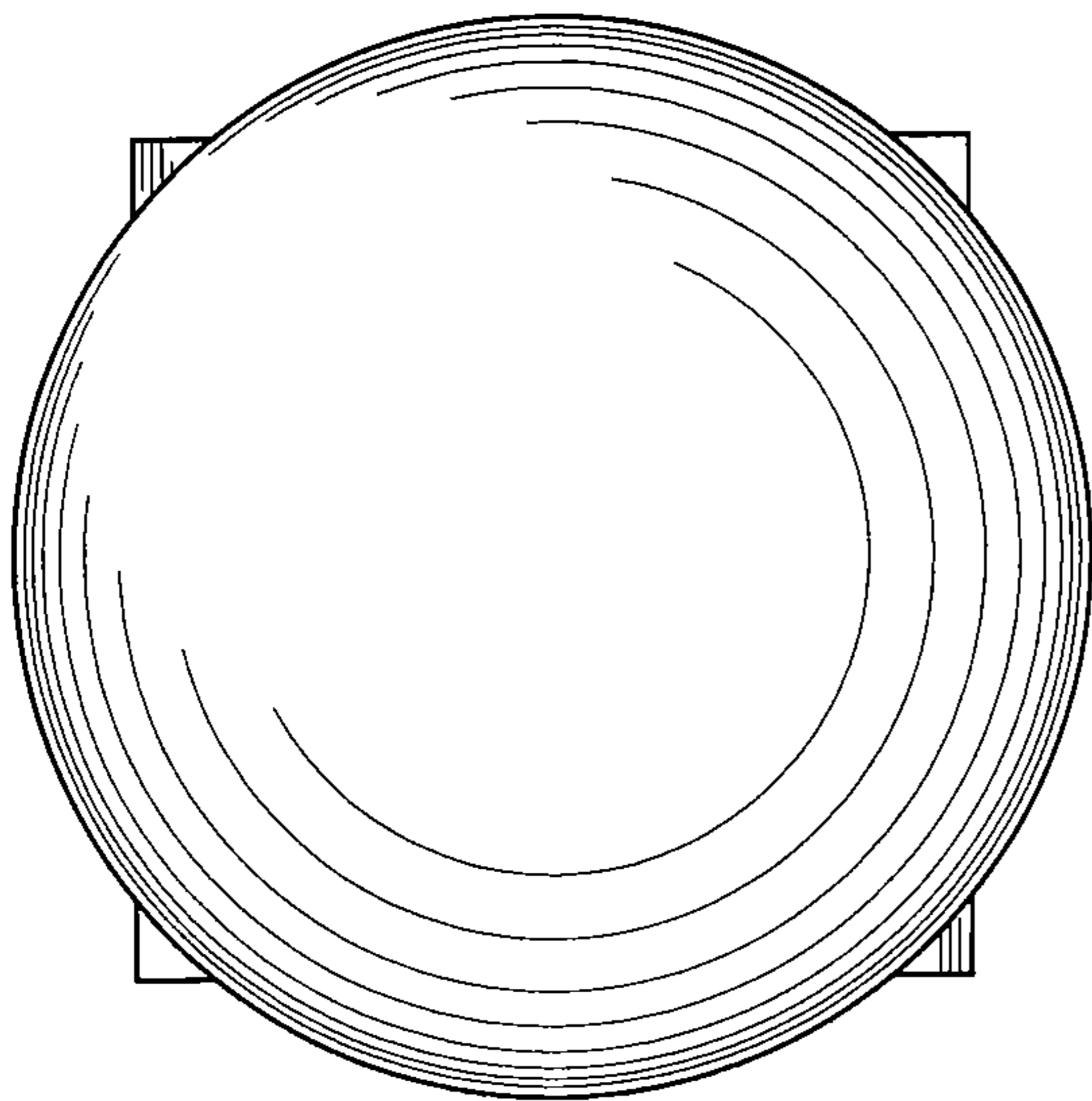


Fig.3

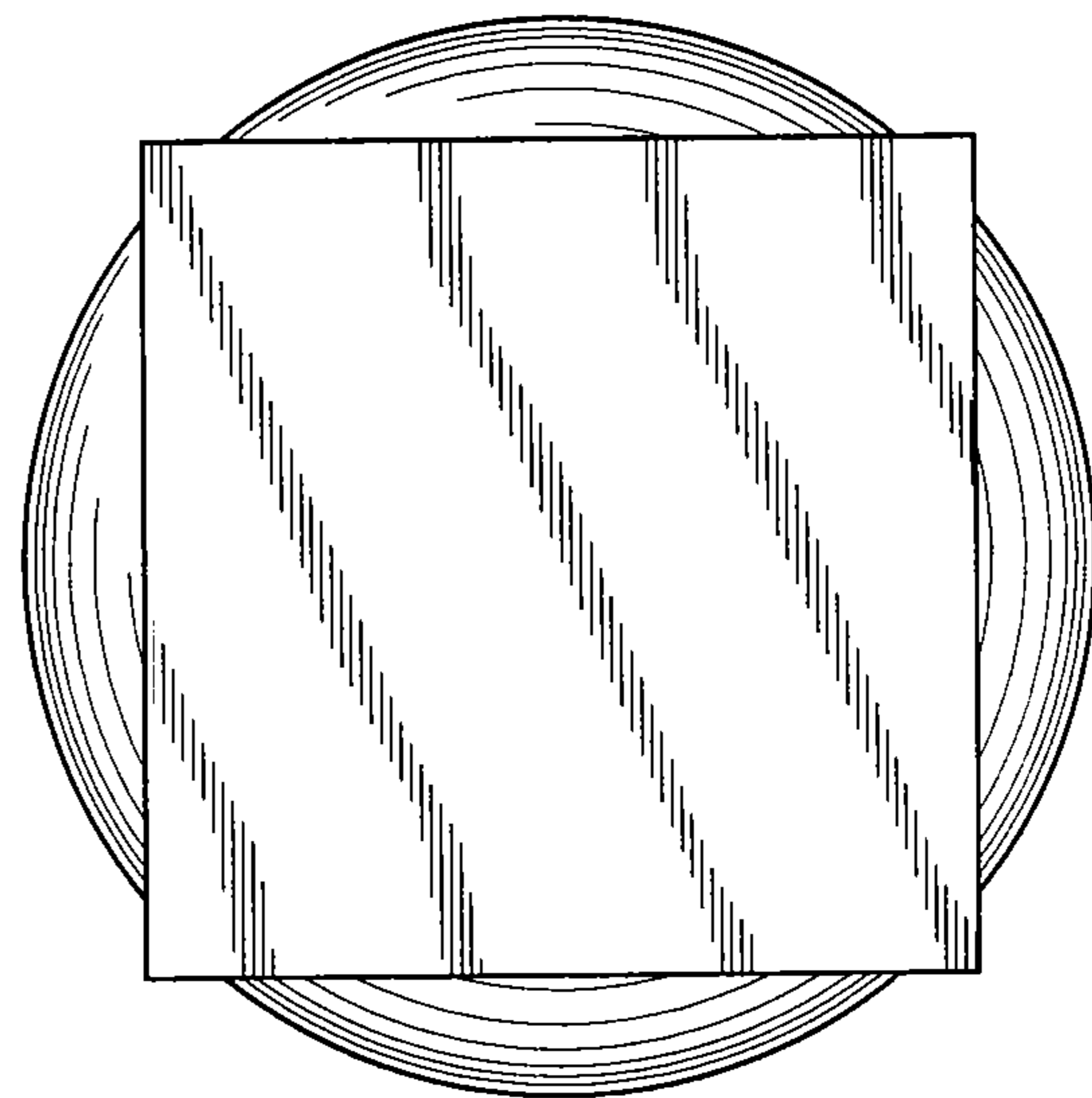


Fig.4