

US00D625876S

(12) **United States Design Patent**
Chen et al.

(10) **Patent No.:** **US D625,876 S**

(45) **Date of Patent:** **** Oct. 19, 2010**

(54) **LED LIGHT DEVICE**

(75) Inventors: **Jen-Shyan Chen**, Hsinchu (TW);
Chung-Jen Lin, Taipei (TW);
Hsian-Lung Tan, Zhongli (TW)

(73) Assignee: **Neobulb Technologies, Inc.**, Brunei
Darussalam

(**) Term: **14 Years**

(21) Appl. No.: **29/359,369**

(22) Filed: **Apr. 9, 2010**

(30) **Foreign Application Priority Data**

Dec. 24, 2009 (TW) 98306239

(51) **LOC (9) Cl.** **26-05**

(52) **U.S. Cl.** **D26/74**

(58) **Field of Classification Search** D26/74,
D26/72, 24, 36, 59, 118, 133, 134; 362/145,
362/147, 148, 150, 151, 153, 218, 217.06,
362/217.07, 294, 296.01, 296.06, 296.07,
362/296.08, 311.07, 311.09, 364, 365, 373;
D13/179

See application file for complete search history.

(56) **References Cited**

U.S. PATENT DOCUMENTS

D320,862 S * 10/1991 Moeller et al. D26/24
D326,537 S * 5/1992 Gattari D26/74
6,655,813 B1 * 12/2003 Ng 362/148
D541,957 S * 5/2007 Wang D26/2
D581,083 S * 11/2008 Chan et al. D26/74

D586,497 S * 2/2009 Wu et al. D26/118
D591,894 S * 5/2009 Flank D26/74
D600,393 S * 9/2009 Chan et al. D26/74
D606,502 S * 12/2009 Chen et al. D13/179
D611,650 S * 3/2010 Broekhoff D26/134
2007/0253202 A1 * 11/2007 Wu et al. 362/294
2009/0201683 A1 * 8/2009 Chuan 362/294
2010/0039829 A1 * 2/2010 Tsai 362/373
2010/0195327 A1 * 8/2010 Inoue et al. 362/235

* cited by examiner

Primary Examiner—Angela J Lee

(74) *Attorney, Agent, or Firm*—Thomas, Kayden,
Horstemeyer & Risley, LLP

(57) **CLAIM**

The ornamental design for a LED light device, as shown and described.

DESCRIPTION

FIG. 1 is a perspective view of a LED light device showing our design;

FIG. 2 is another perspective view thereof;

FIG. 3 is a front elevation view thereof;

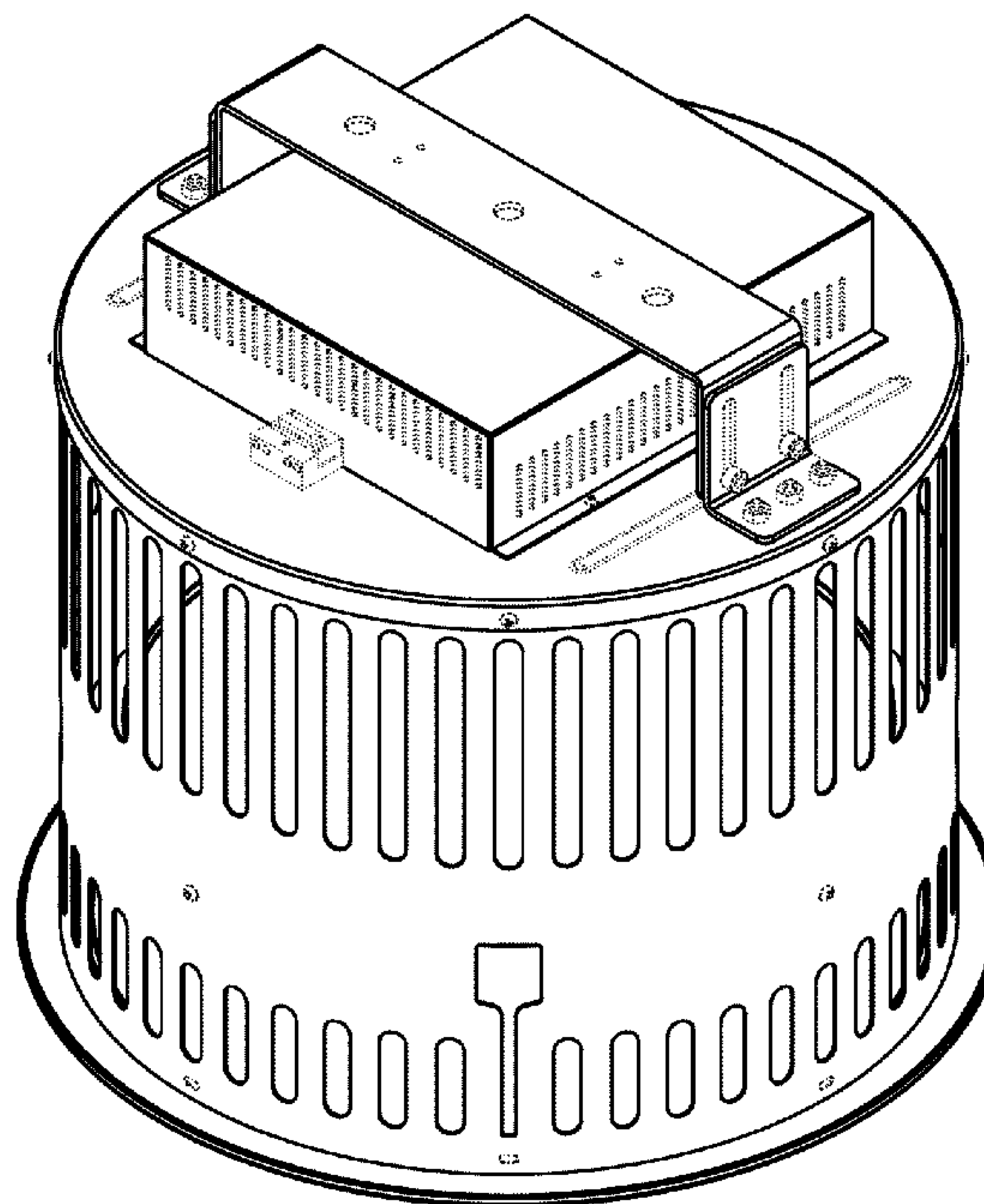
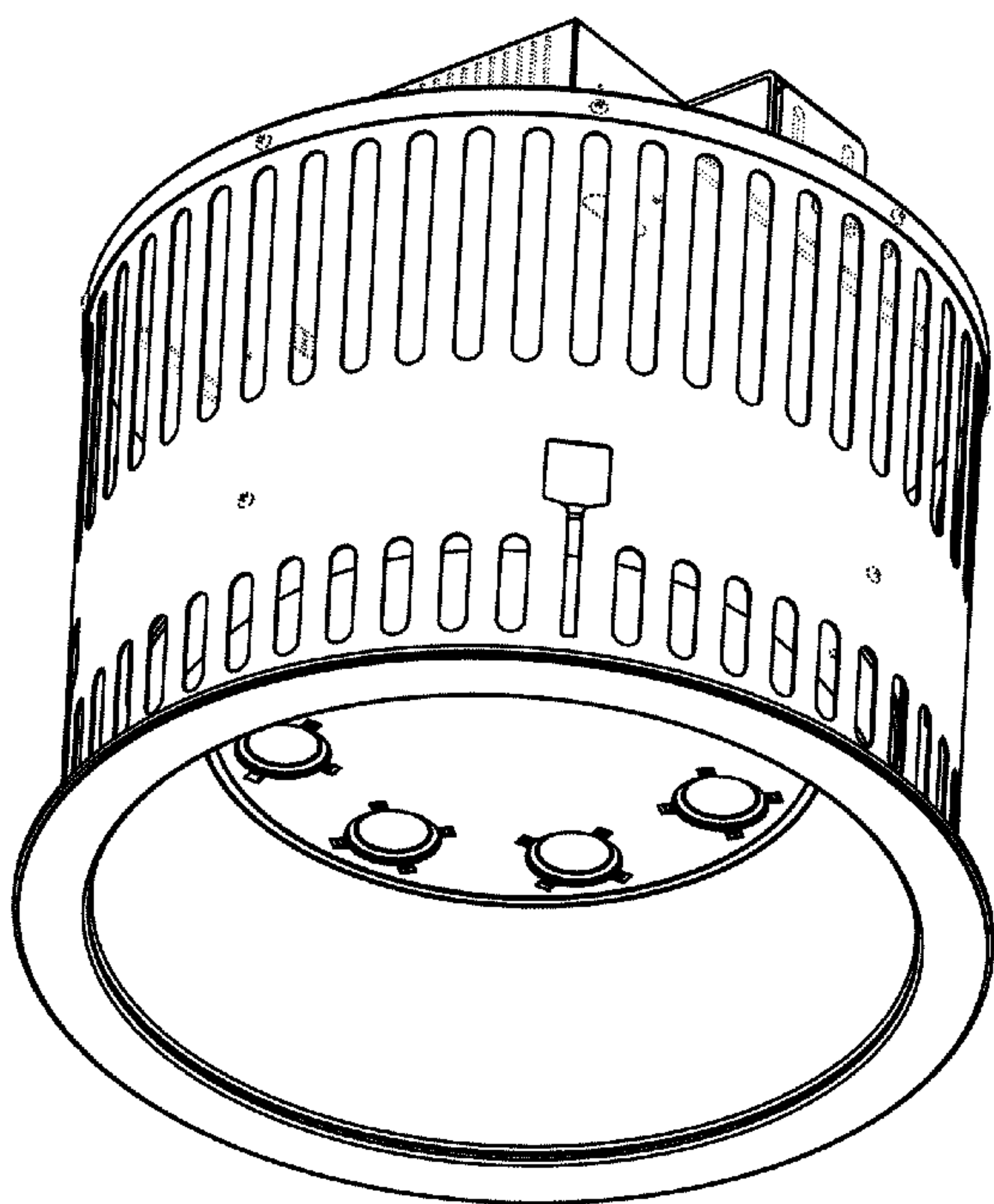
FIG. 4 is a left elevation view thereof, the right elevation view thereof being a mirror image of the left;

FIG. 5 is a top plan view thereof; and,

FIG. 6 is a bottom plan view thereof.

The broken line showing is for the purpose of illustrating environmental structure and forms no part of the claimed design.

1 Claim, 4 Drawing Sheets



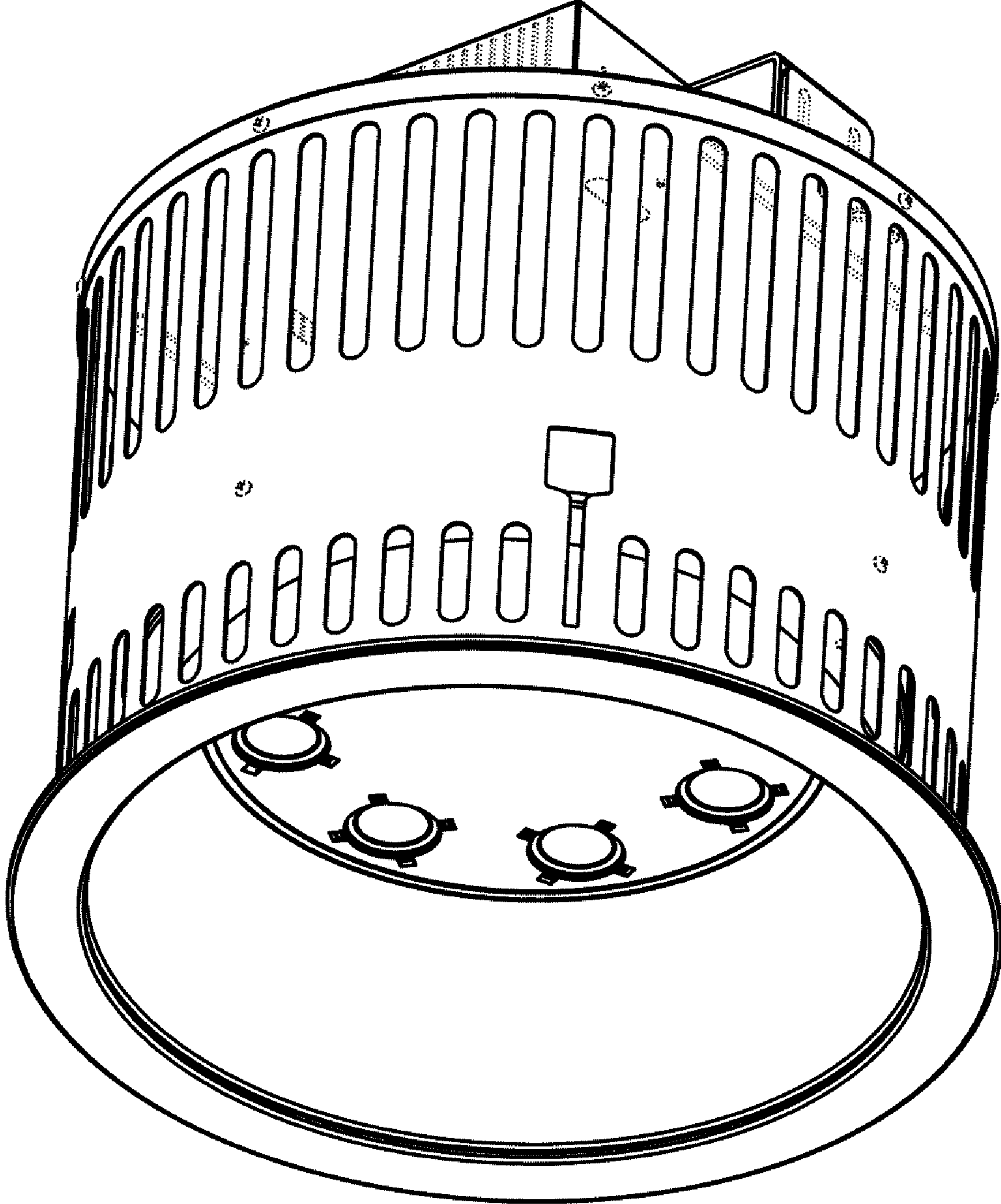


FIG. 1

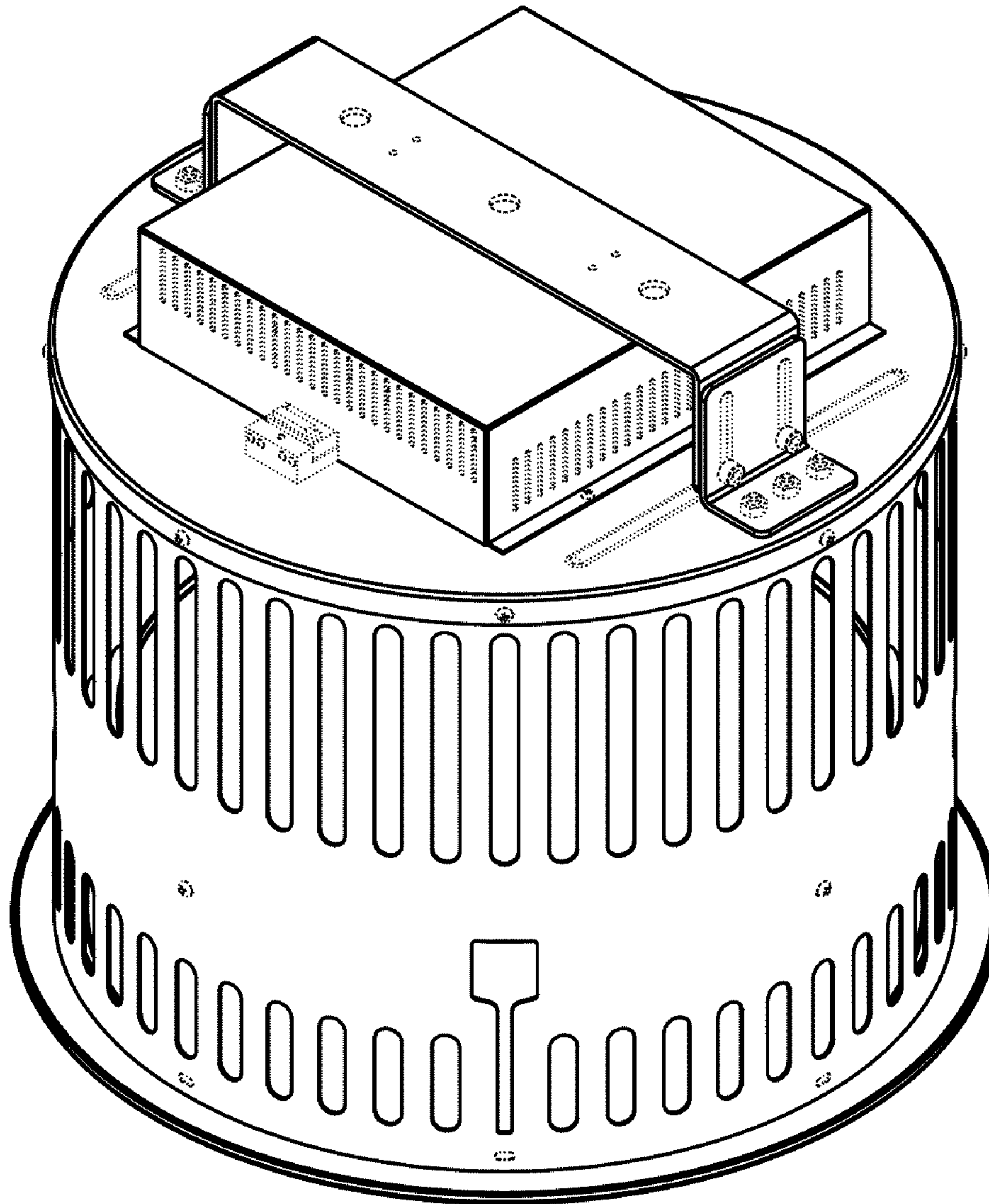


FIG. 2

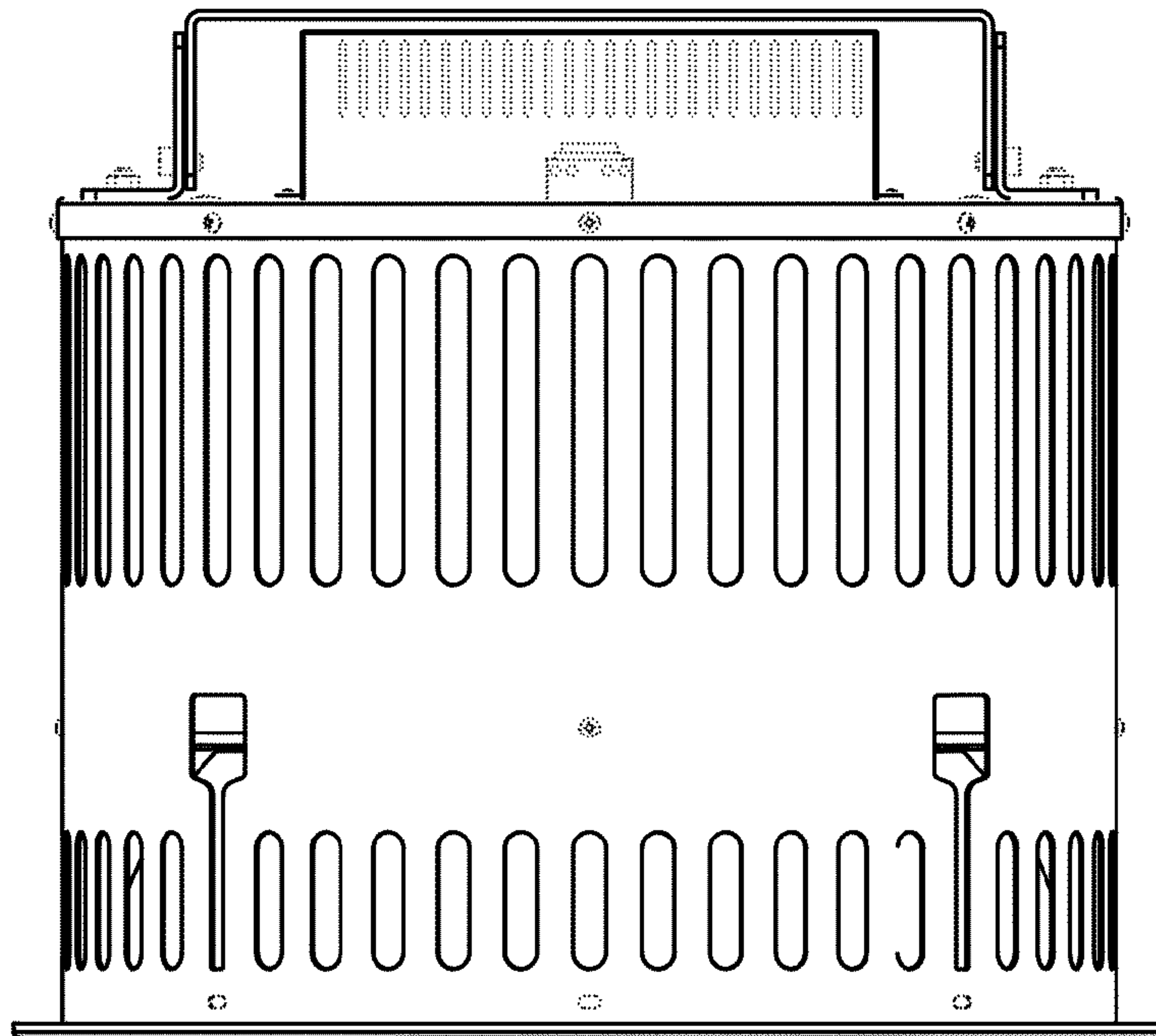


FIG. 3

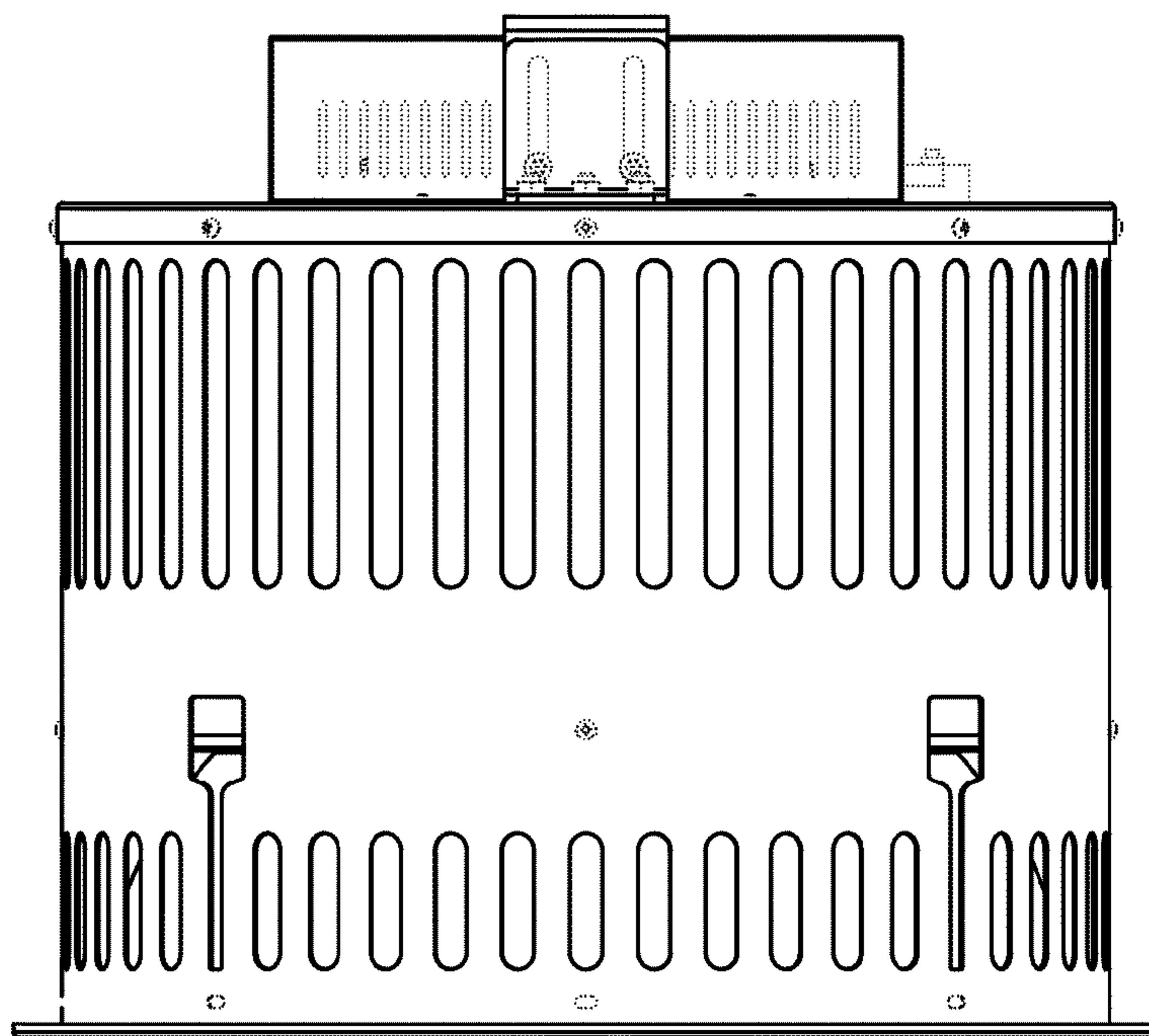


FIG. 4

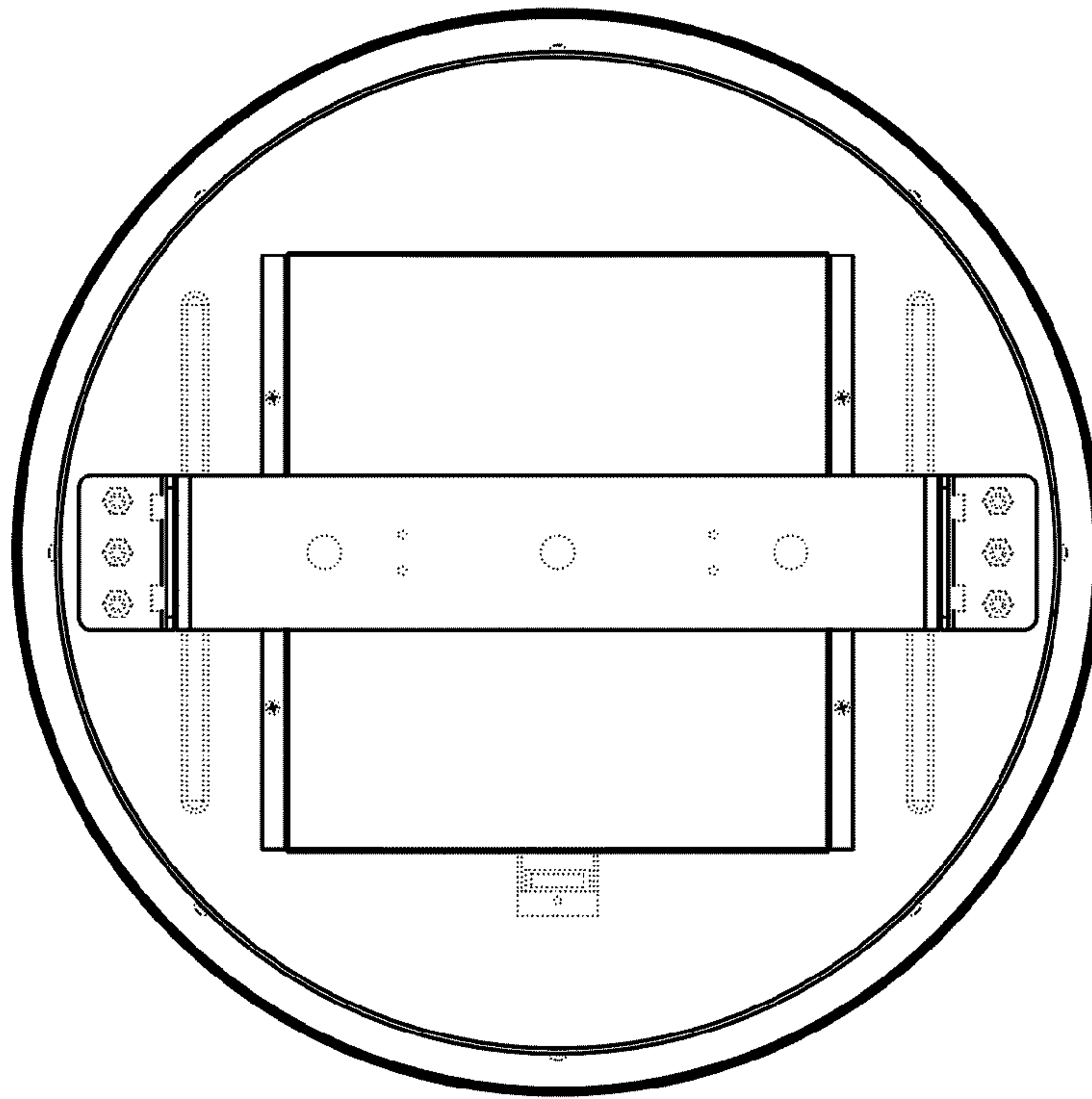


FIG. 5

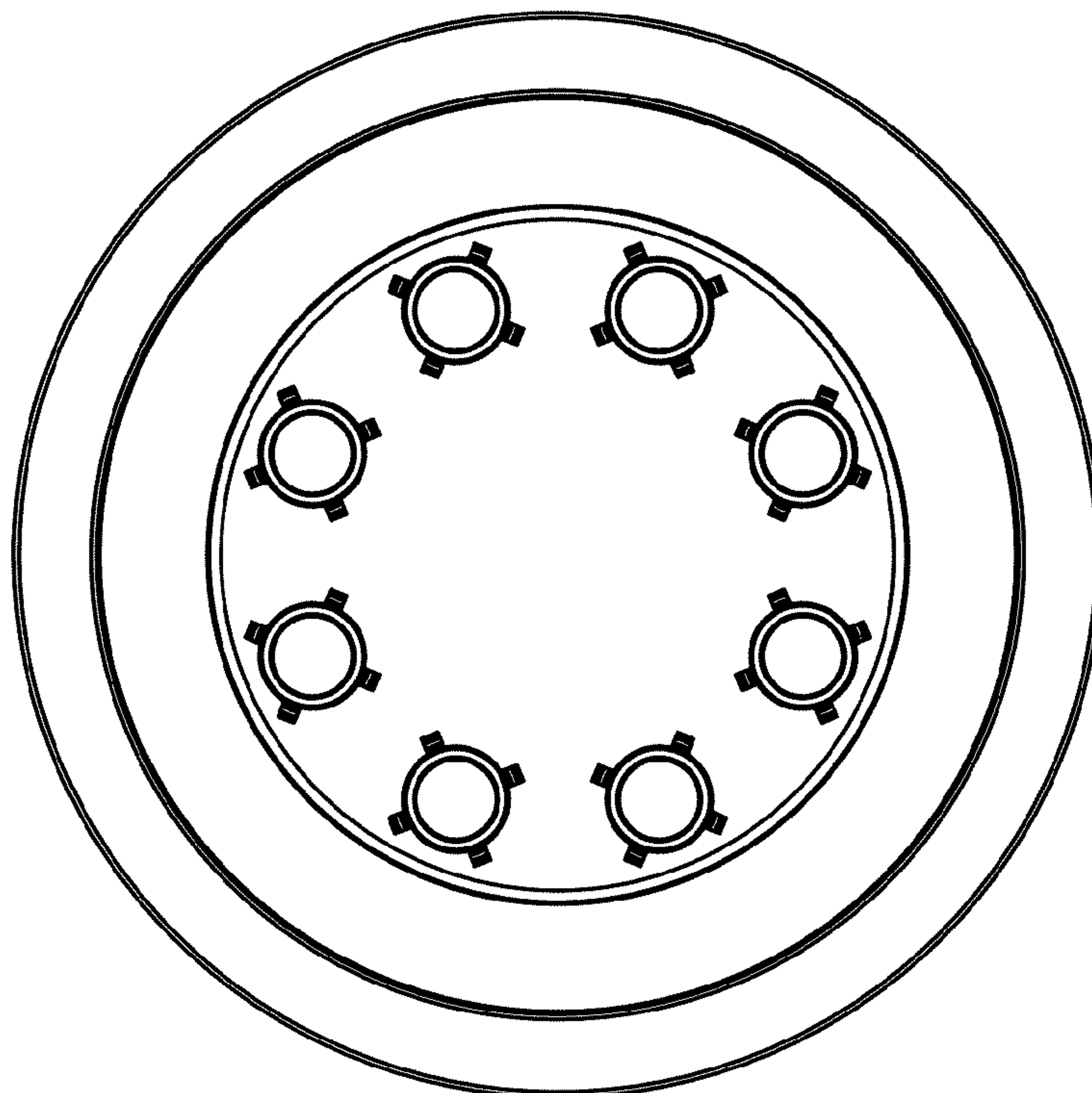


FIG. 6