



US00D625875S

(12) **United States Design Patent**
Chen et al.

(10) **Patent No.:** **US D625,875 S**

(45) **Date of Patent:** **** Oct. 19, 2010**

(54) **LED LIGHT DEVICE**

(75) Inventors: **Jen-Shyan Chen**, Hsinchu (TW);
Chung-Jen Lin, Taipei (TW);
Hsian-Lung Tan, Zhongli (TW)

(73) Assignee: **NEOBULB TECHNOLOGIES, Inc.**
(BN)

(**) Term: **14 Years**

(21) Appl. No.: **29/359,367**

(22) Filed: **Apr. 9, 2010**

(30) **Foreign Application Priority Data**

Dec. 24, 2009 (TW) 98306238

(51) **LOC (9) Cl.** **26-05**

(52) **U.S. Cl.** **D26/74**

(58) **Field of Classification Search** D26/74,
D26/72, 24, 36, 59, 118, 133, 134; 362/145,
362/147, 148, 150, 151, 153, 218, 217.06,
362/217.07, 294, 296.01, 296.06, 296.07,
362/296.08, 311.07, 311.09, 364, 365, 373;
D13/179

See application file for complete search history.

(56) **References Cited**

U.S. PATENT DOCUMENTS

D326,537 S * 5/1992 Gattari D26/74
D573,294 S * 7/2008 Chan et al. D26/74
D595,005 S * 6/2009 Chou D26/74
D597,246 S * 7/2009 Meyer et al. D26/113
D597,247 S * 7/2009 Meyer et al. D26/113

D613,443 S * 4/2010 Chen D26/70
7,712,927 B2 * 5/2010 Shuai et al. 362/294
7,758,214 B2 * 7/2010 Lee et al. 362/294
2009/0201683 A1 * 8/2009 Chuan 362/294
2009/0296414 A1 * 12/2009 Moriyama et al. 362/373
2010/0039829 A1 * 2/2010 Tsai 362/373
2010/0195327 A1 * 8/2010 Inoue et al. 362/235
2010/0208461 A1 * 8/2010 Xiang et al. 362/249.02

* cited by examiner

Primary Examiner—Angela J Lee

(74) *Attorney, Agent, or Firm*—Thomas, Kayden,
Horstemeyer & Risley, LLP.

(57) **CLAIM**

The ornamental design for a LED light device, as shown and described.

DESCRIPTION

FIG. 1 is a perspective view of a LED light device showing our design;

FIG. 2 is another perspective view thereof;

FIG. 3 is a front elevation view thereof;

FIG. 4 is a rear elevation view thereof;

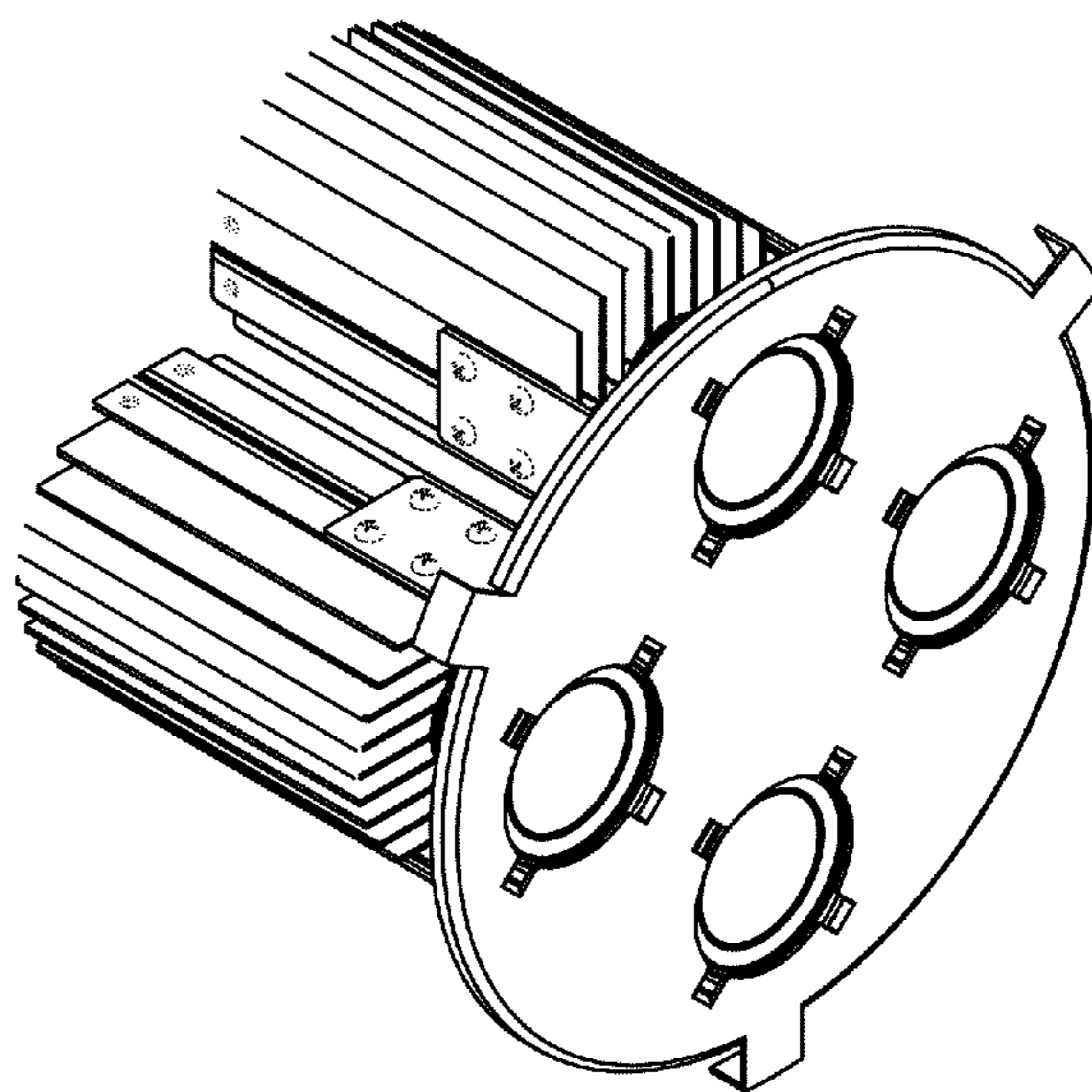
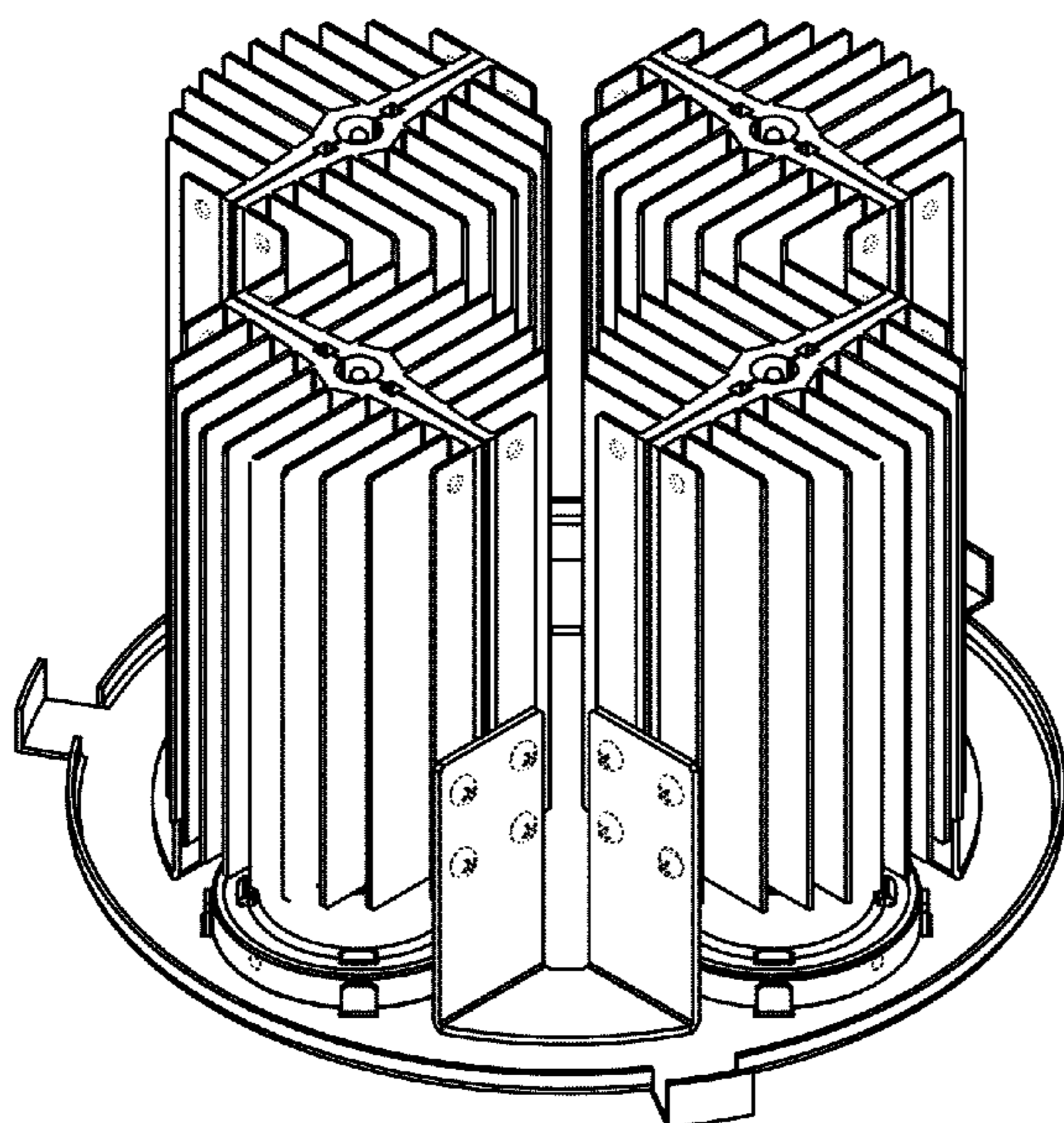
FIG. 5 is a left elevation view thereof, the right elevation view thereof being the same as the left;

FIG. 6 is a top plan view thereof; and,

FIG. 7 is a bottom plan view thereof.

The broken line showing is for the purpose of illustrating environmental structure and forms no part of the claimed design.

1 Claim, 5 Drawing Sheets



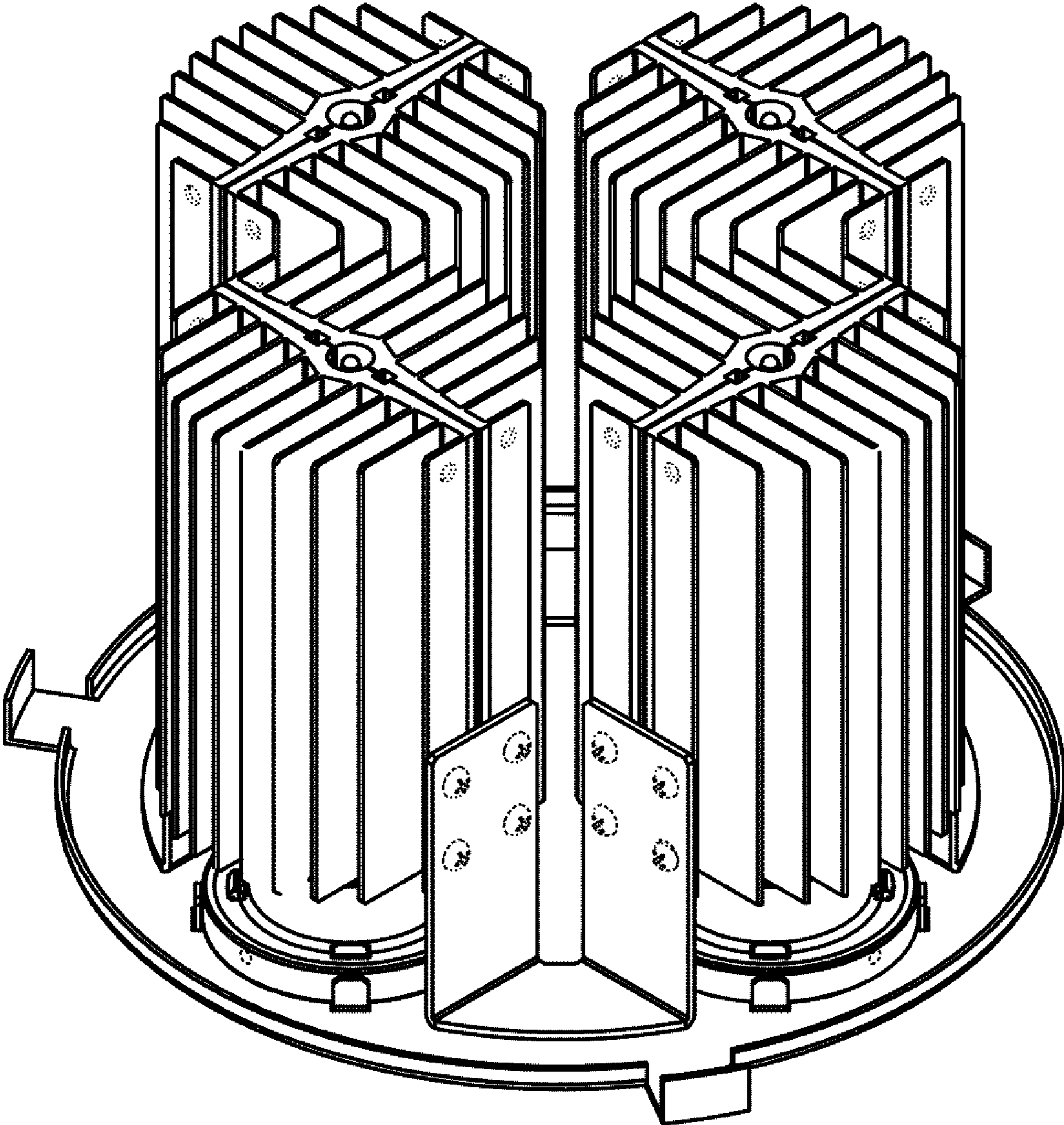


FIG. 1

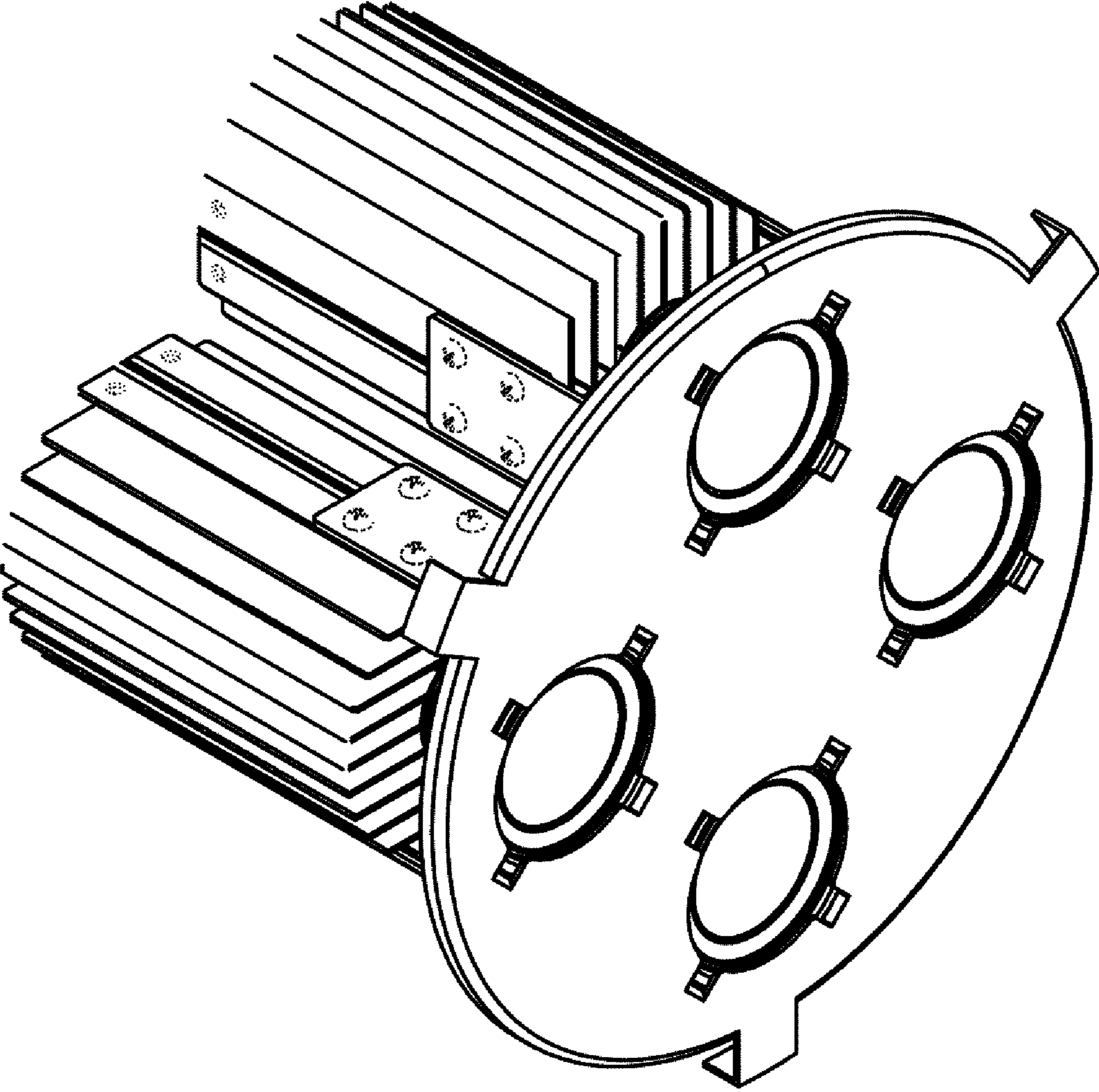


FIG. 2

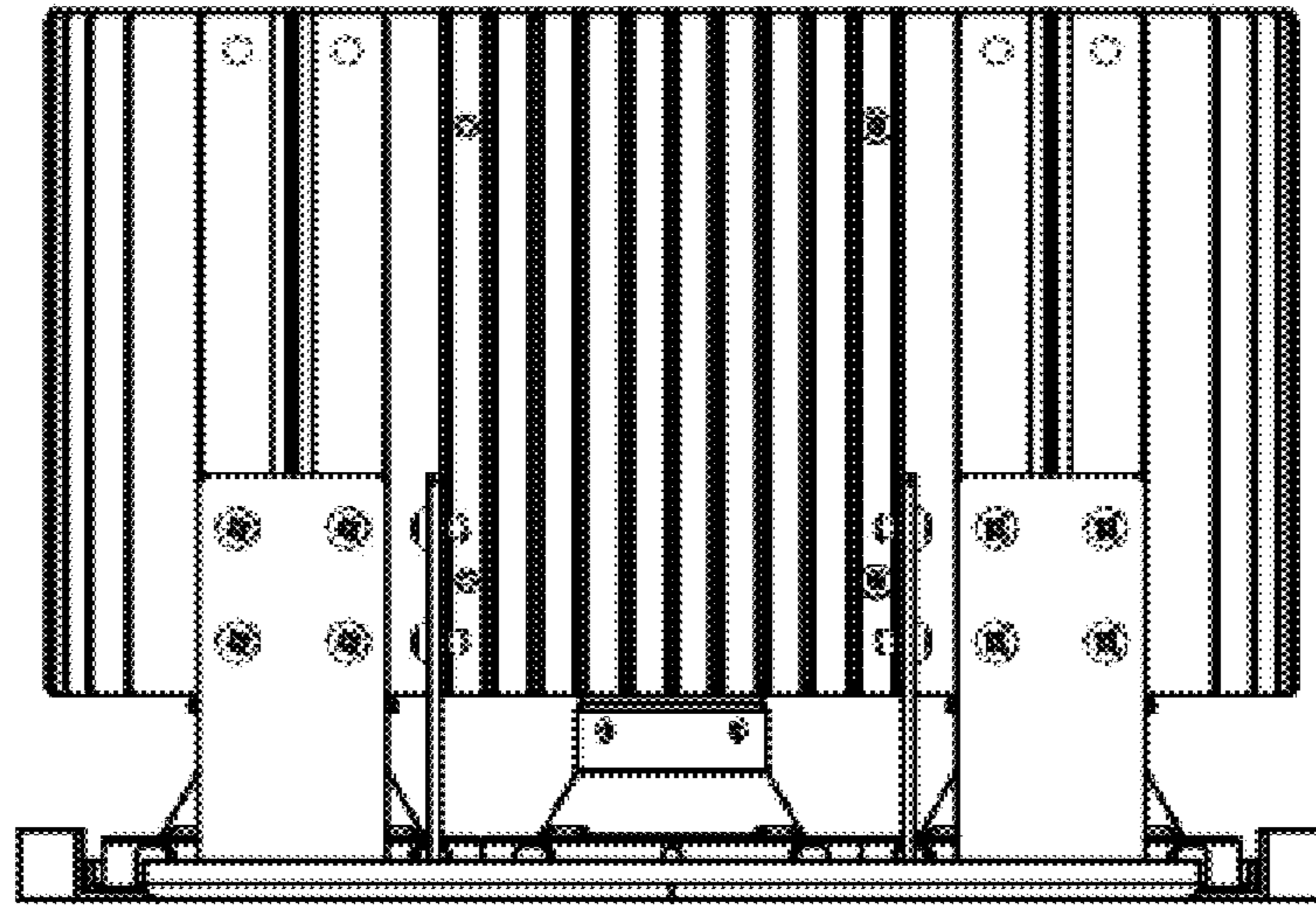


FIG. 3

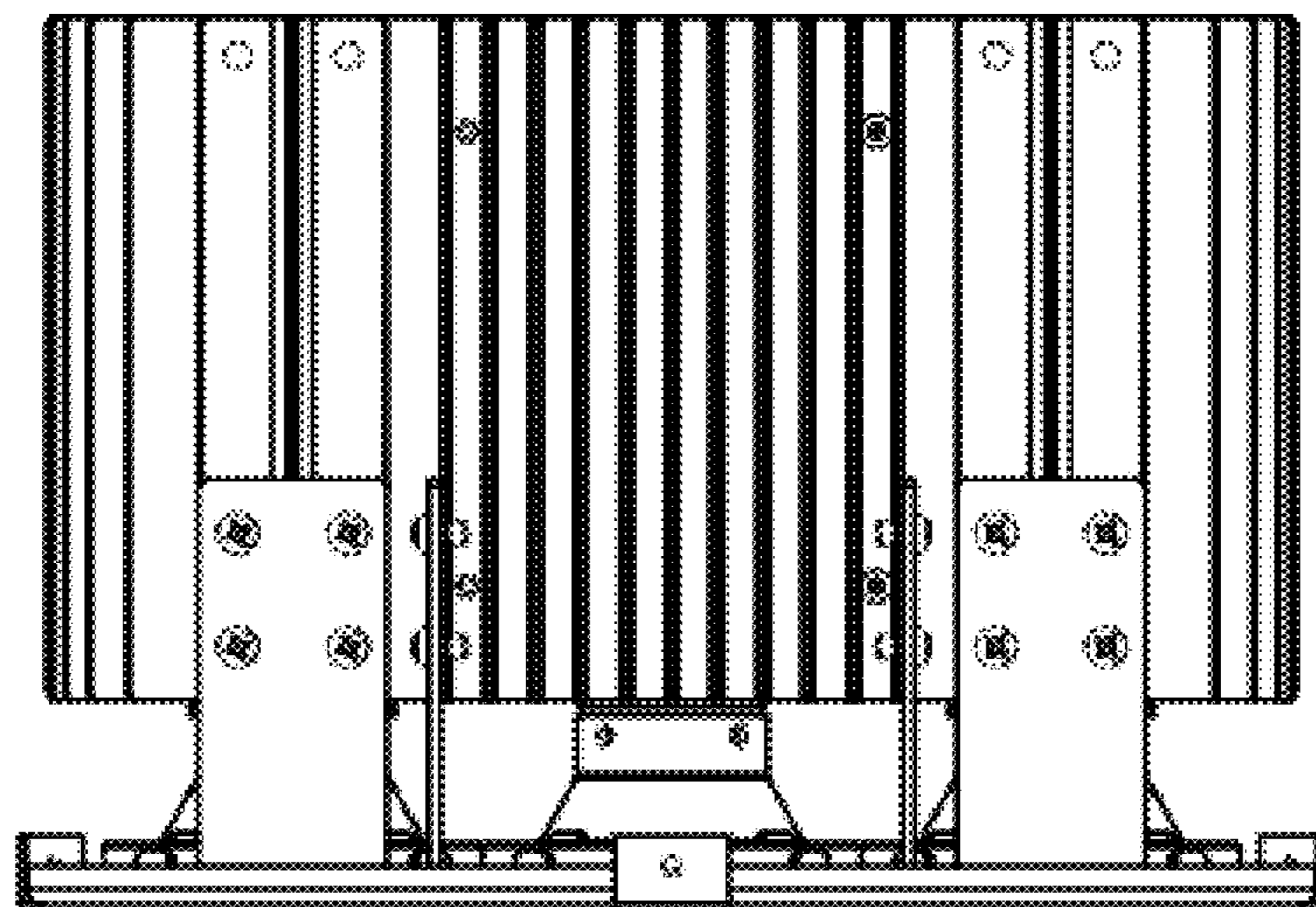


FIG. 4

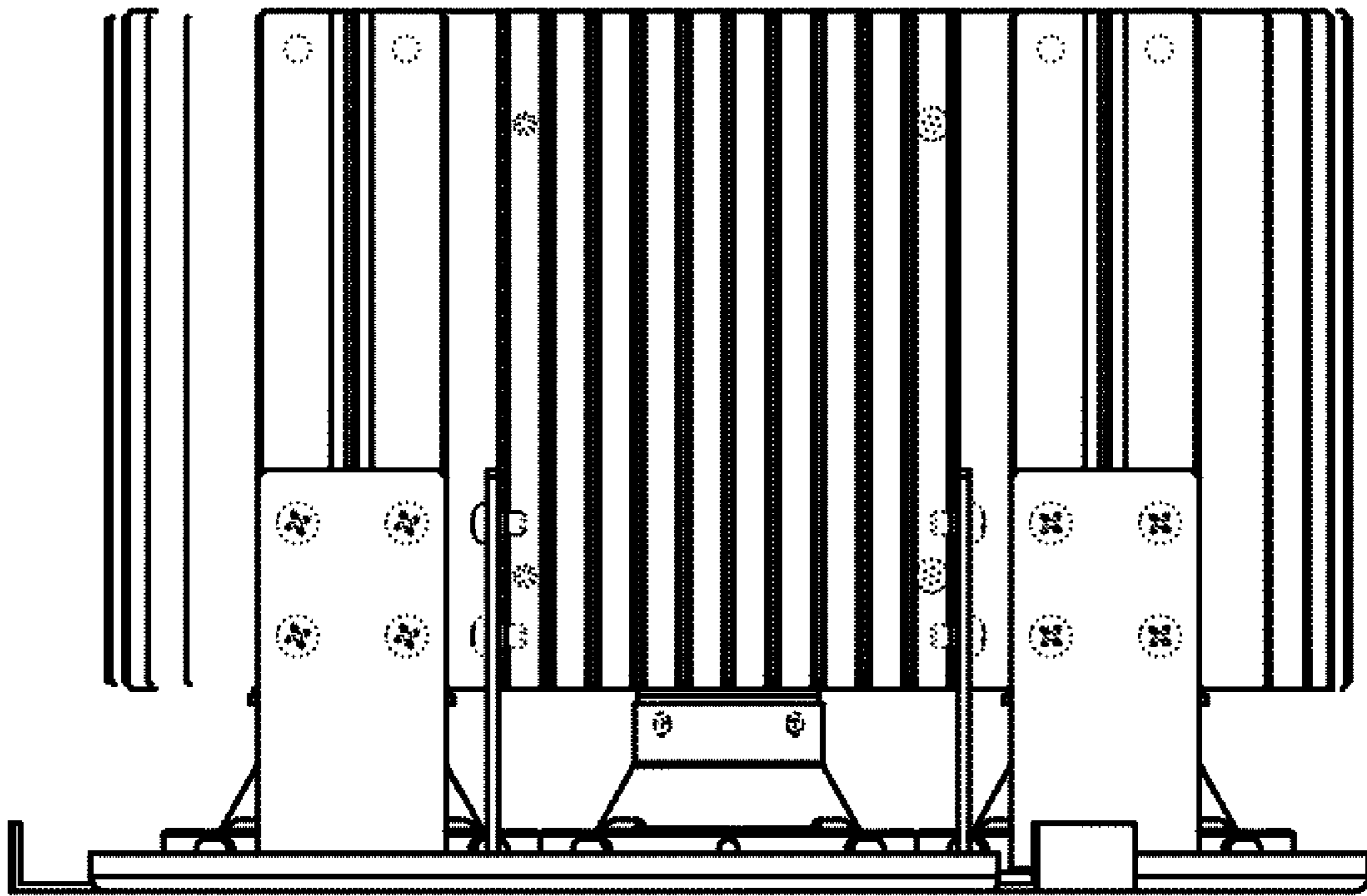


FIG. 5

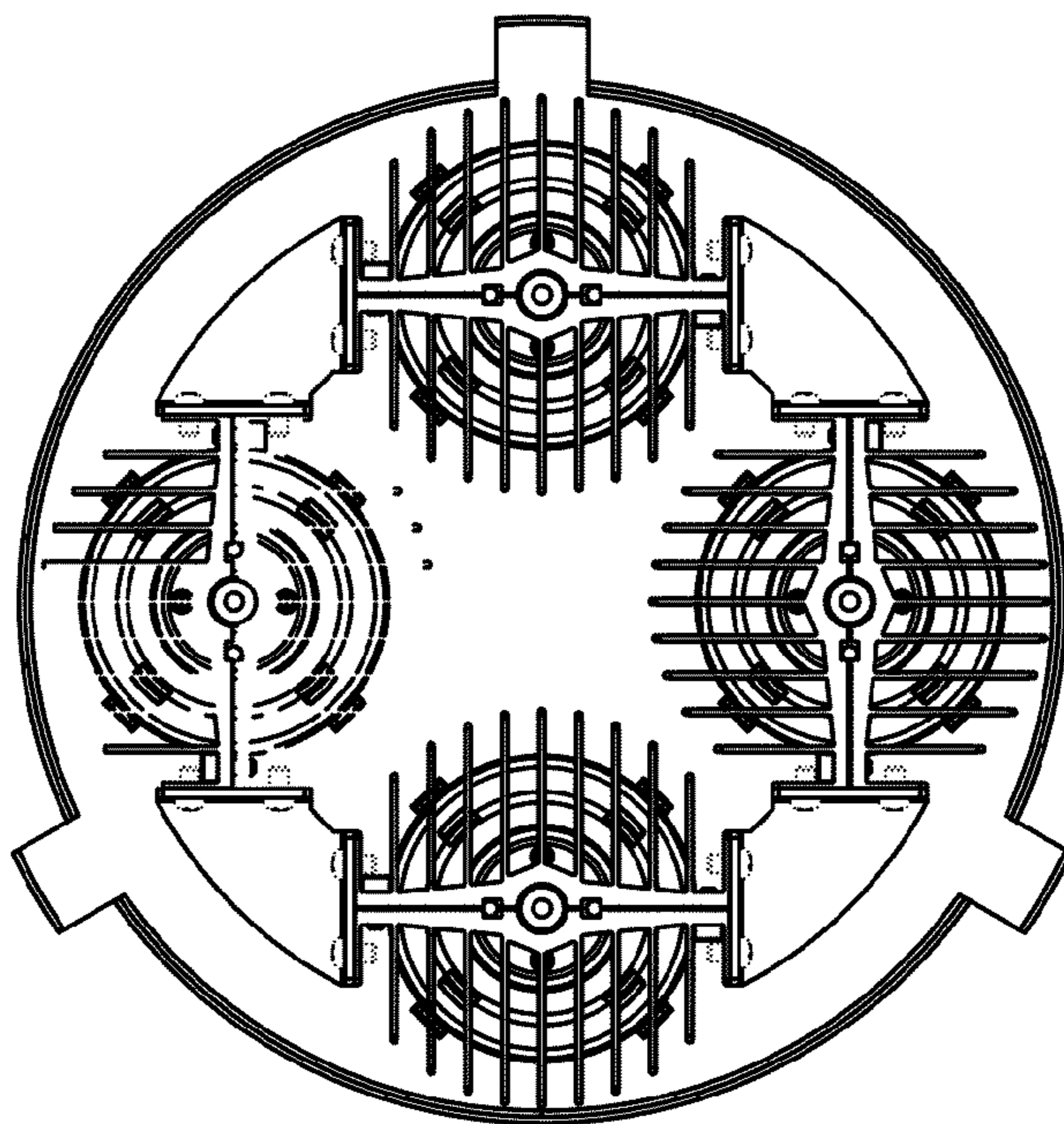


FIG. 6

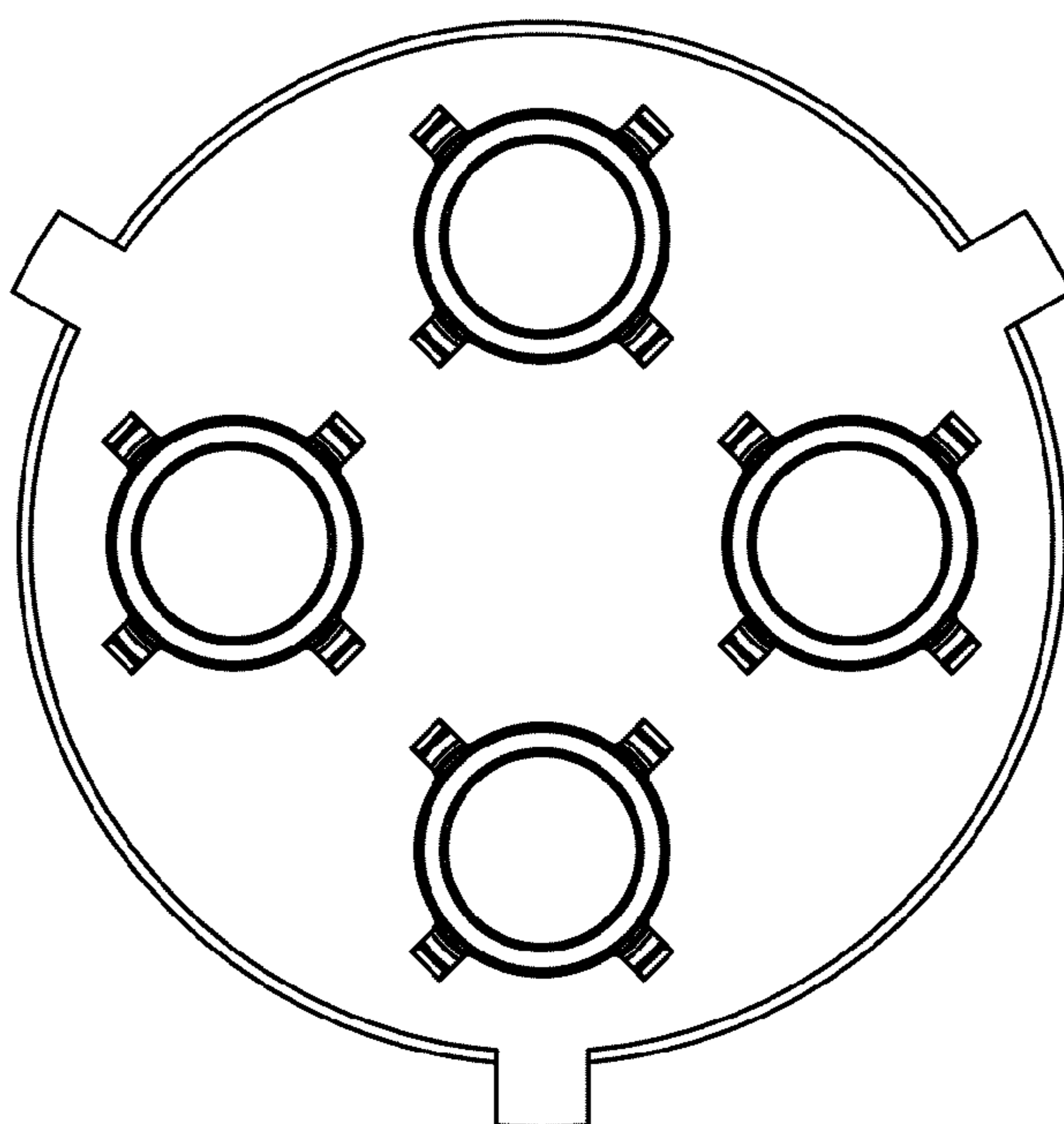


FIG. 7