



US00D625874S

(12) **United States Design Patent**
Sanoner

(10) **Patent No.:** **US D625,874 S**

(45) **Date of Patent:** **** Oct. 19, 2010**

(54) **SOLAR LIGHT**

(75) **Inventor:** **Hughes Marie Sanoner**, Discovery Bay (HK)

(73) **Assignee:** **Solar Wide Industrial Limited**, Tsuen Wan, New Territories, Hong Kong (CN)

(**) **Term:** **14 Years**

(21) **Appl. No.:** **29/314,124**

(22) **Filed:** **Mar. 5, 2009**

(30) **Foreign Application Priority Data**

Sep. 9, 2008 (EM) 000999255-0001

(51) **LOC (9) Cl.** **26-05**

(52) **U.S. Cl.** **D26/67**

(58) **Field of Classification Search** D26/67-71,
D26/85, 93, 37; 362/152, 153, 153.1, 180,
362/183, 431, 653

See application file for complete search history.

(56) **References Cited**

U.S. PATENT DOCUMENTS

D45,155 S * 1/1914 Murphy D26/113
D102,553 S * 12/1936 Gosling D26/67
D195,990 S * 8/1963 Pettengill D26/67
D391,384 S * 2/1998 Lerch D26/67

D457,978 S * 5/2002 Cheong D26/67
D468,853 S * 1/2003 Chang D26/67
D485,386 S * 1/2004 Cheong et al. D26/67
D491,685 S * 6/2004 Pu D26/67
D528,243 S * 9/2006 Bucher et al. D26/68
D578,693 S * 10/2008 Liu et al. D26/67

* cited by examiner

Primary Examiner—Clare E Heflin

(74) *Attorney, Agent, or Firm*—Alix, Yale & Ristas, LLP

(57) **CLAIM**

The ornamental design for a solar light, as shown and described.

DESCRIPTION

FIG. 1 is a front, right side and top perspective view of a solar light showing my new design;

FIG. 2 is a front elevational view thereof;

FIG. 3 is a rear elevational view thereof;

FIG. 4 is a right side elevational view thereof;

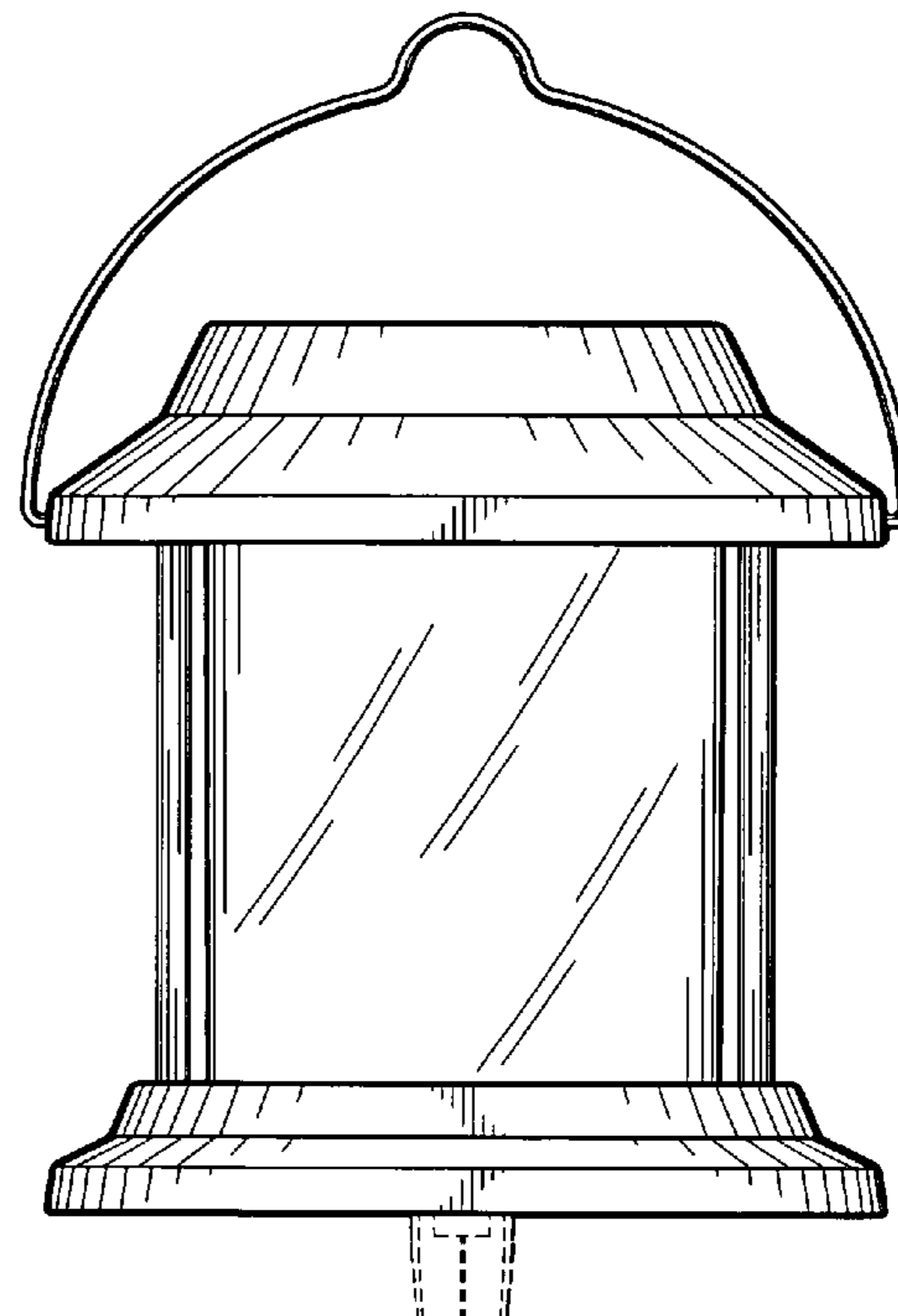
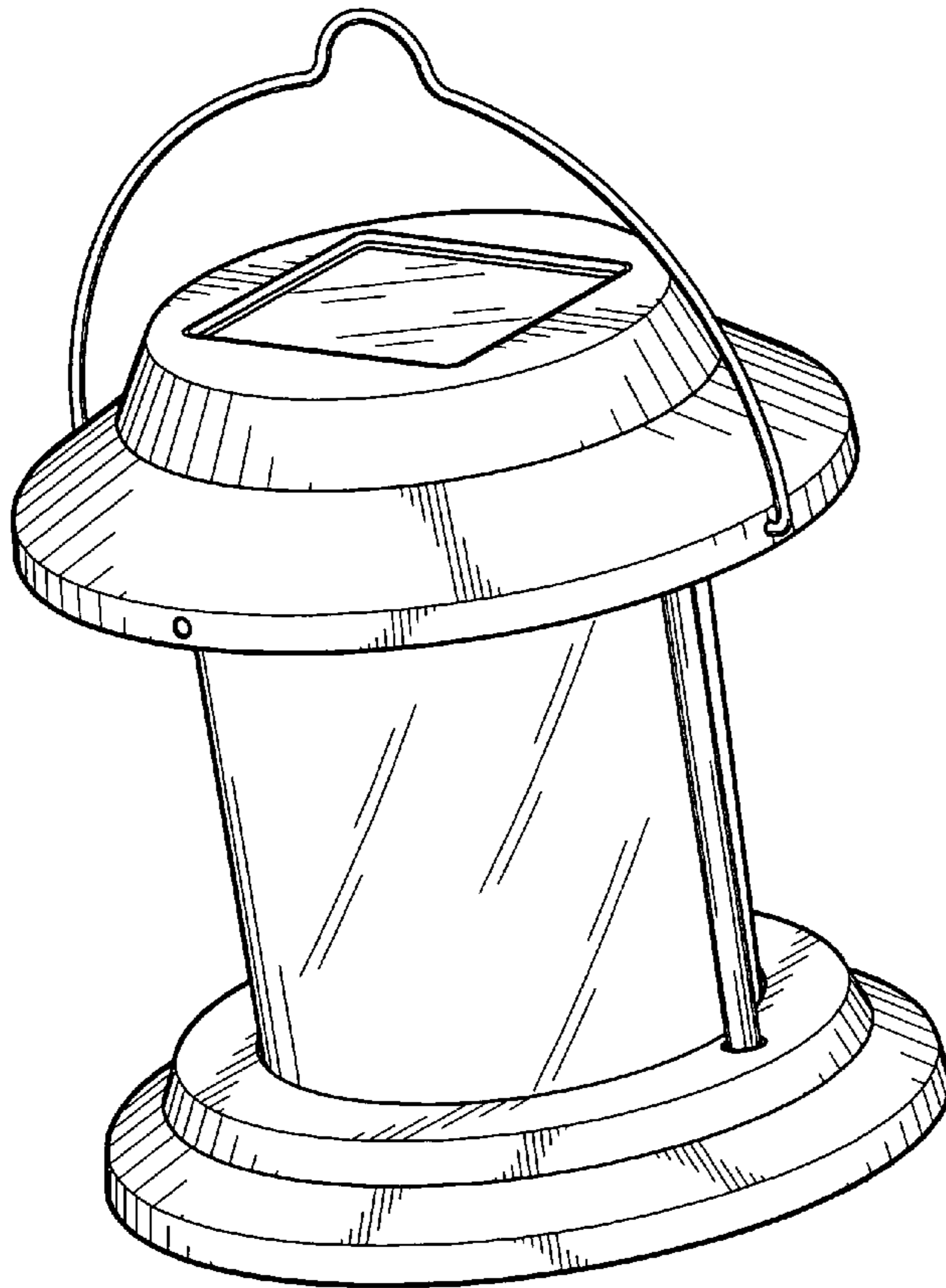
FIG. 5 is a left side elevational view thereof;

FIG. 6 is a top plan view thereof; and,

FIG. 7 is a bottom plan view thereof.

The portions shown in broken lines form no part of the claimed design.

1 Claim, 4 Drawing Sheets



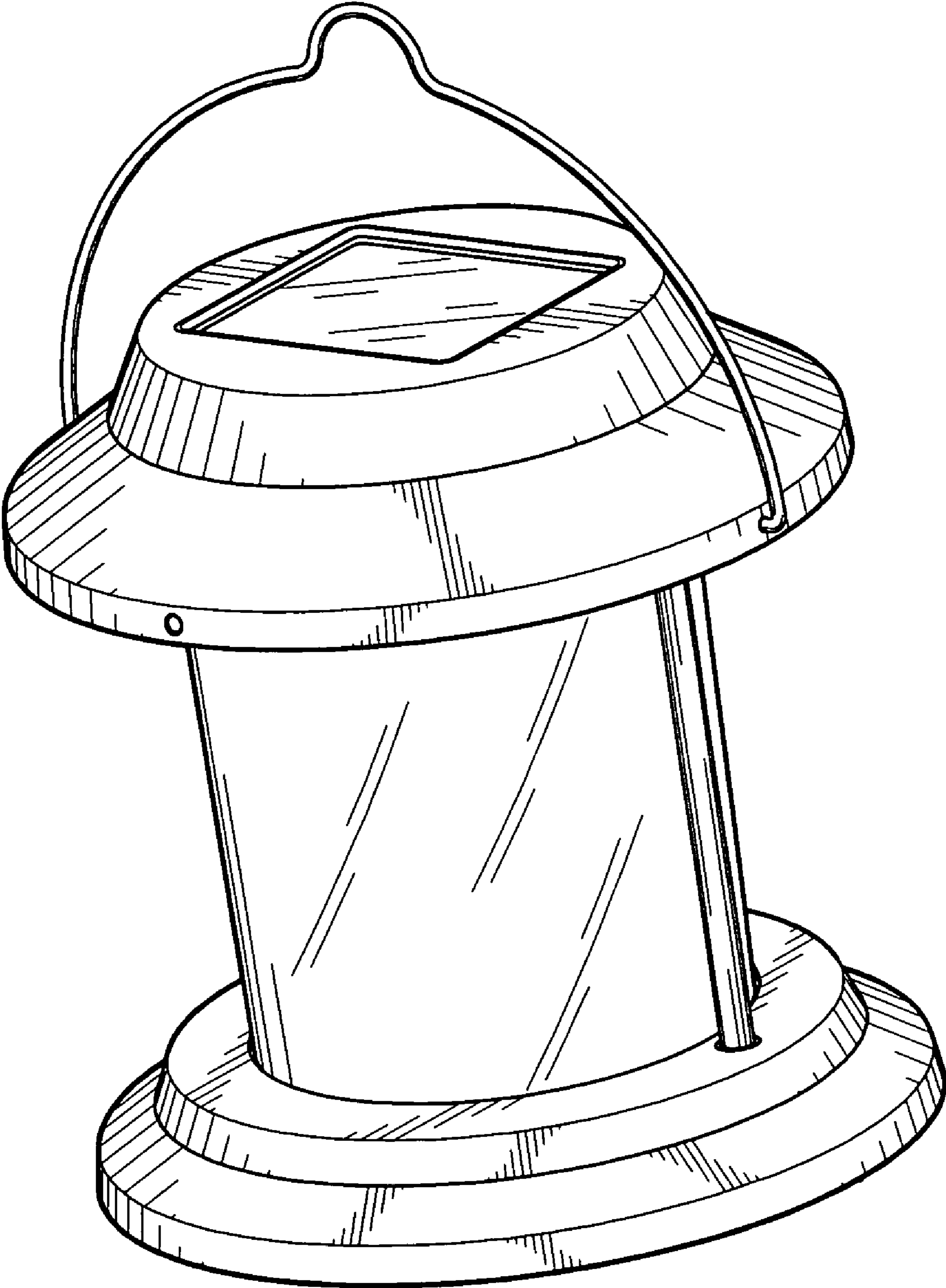


FIG.1

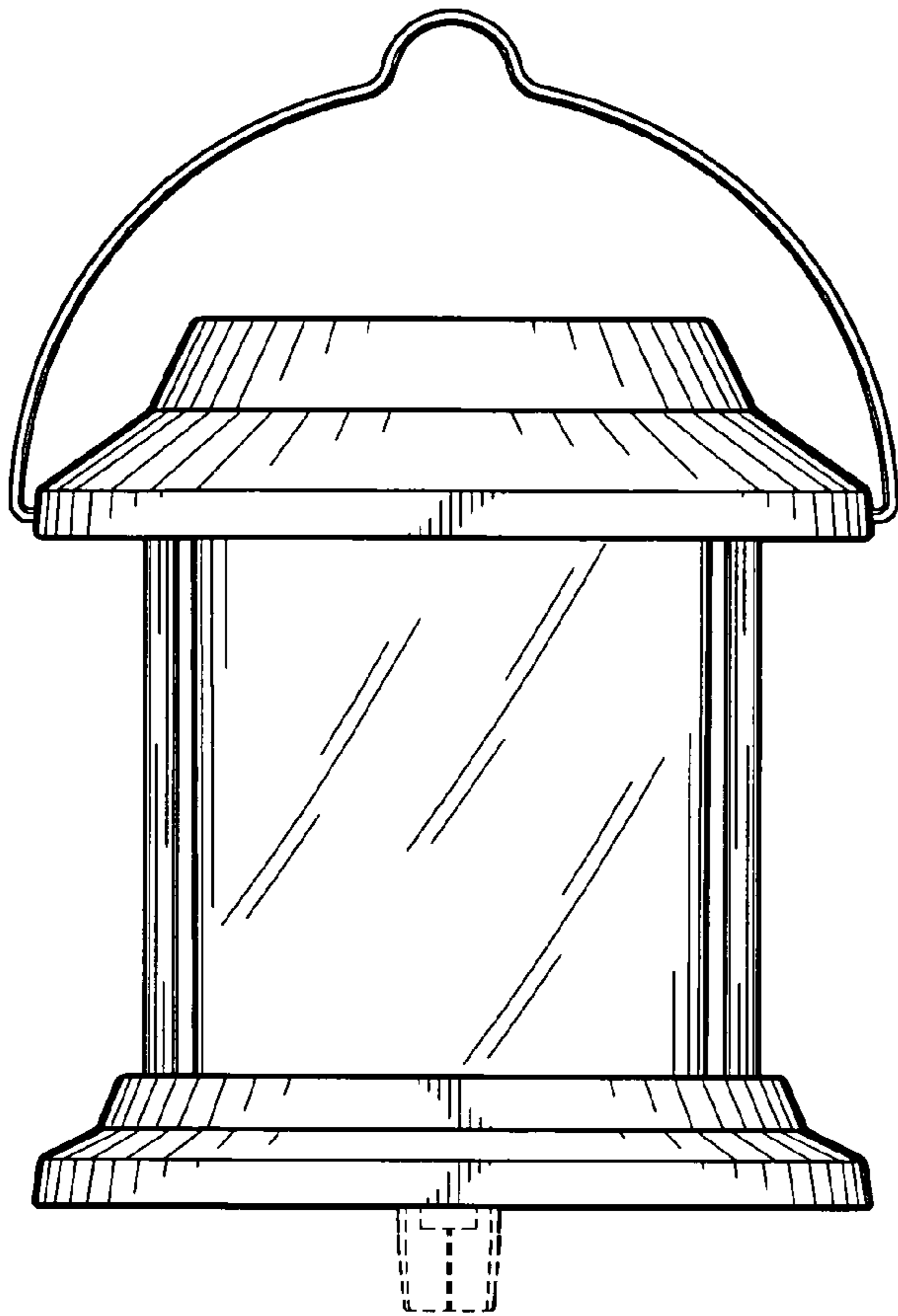


FIG. 2

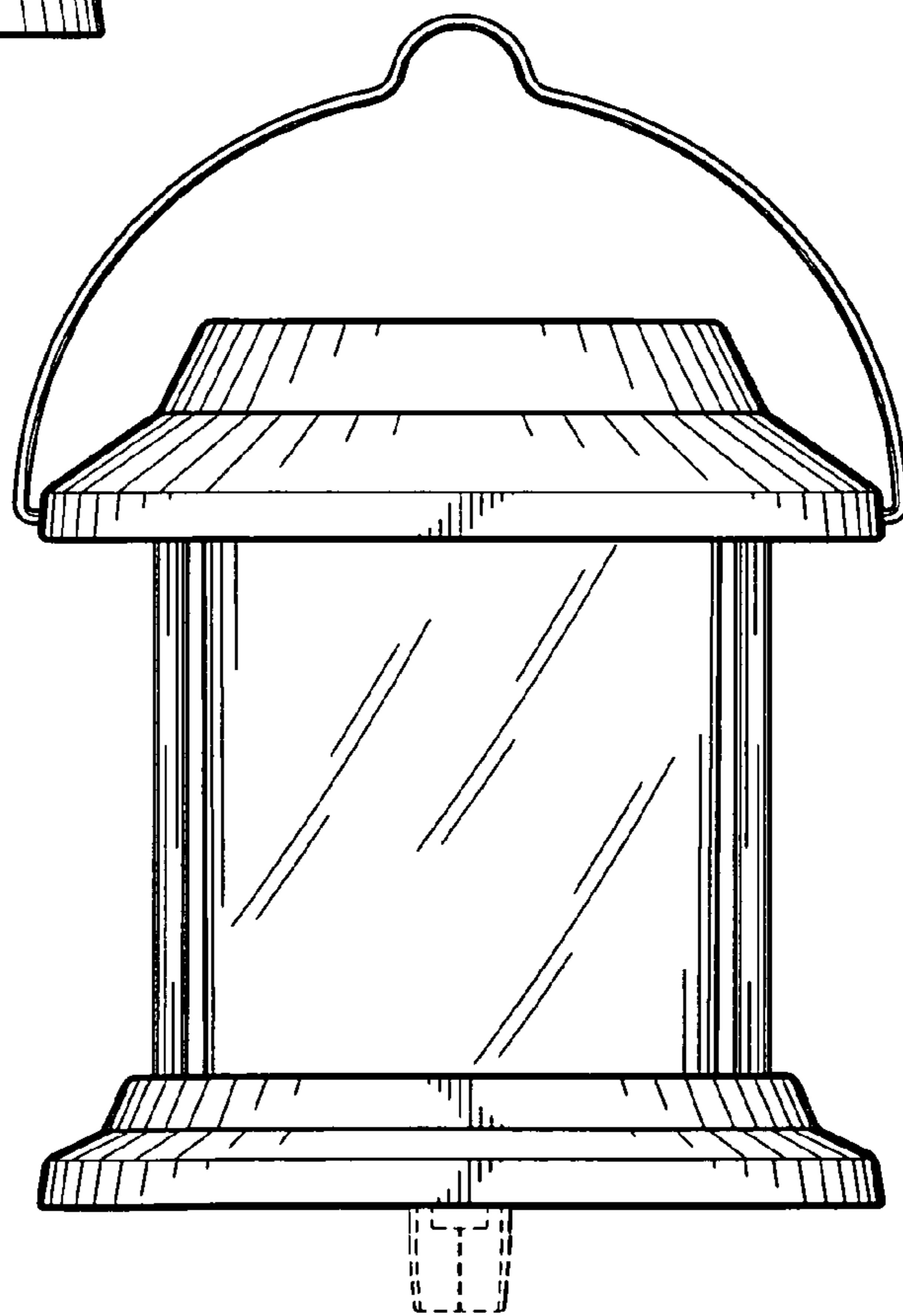


FIG. 3

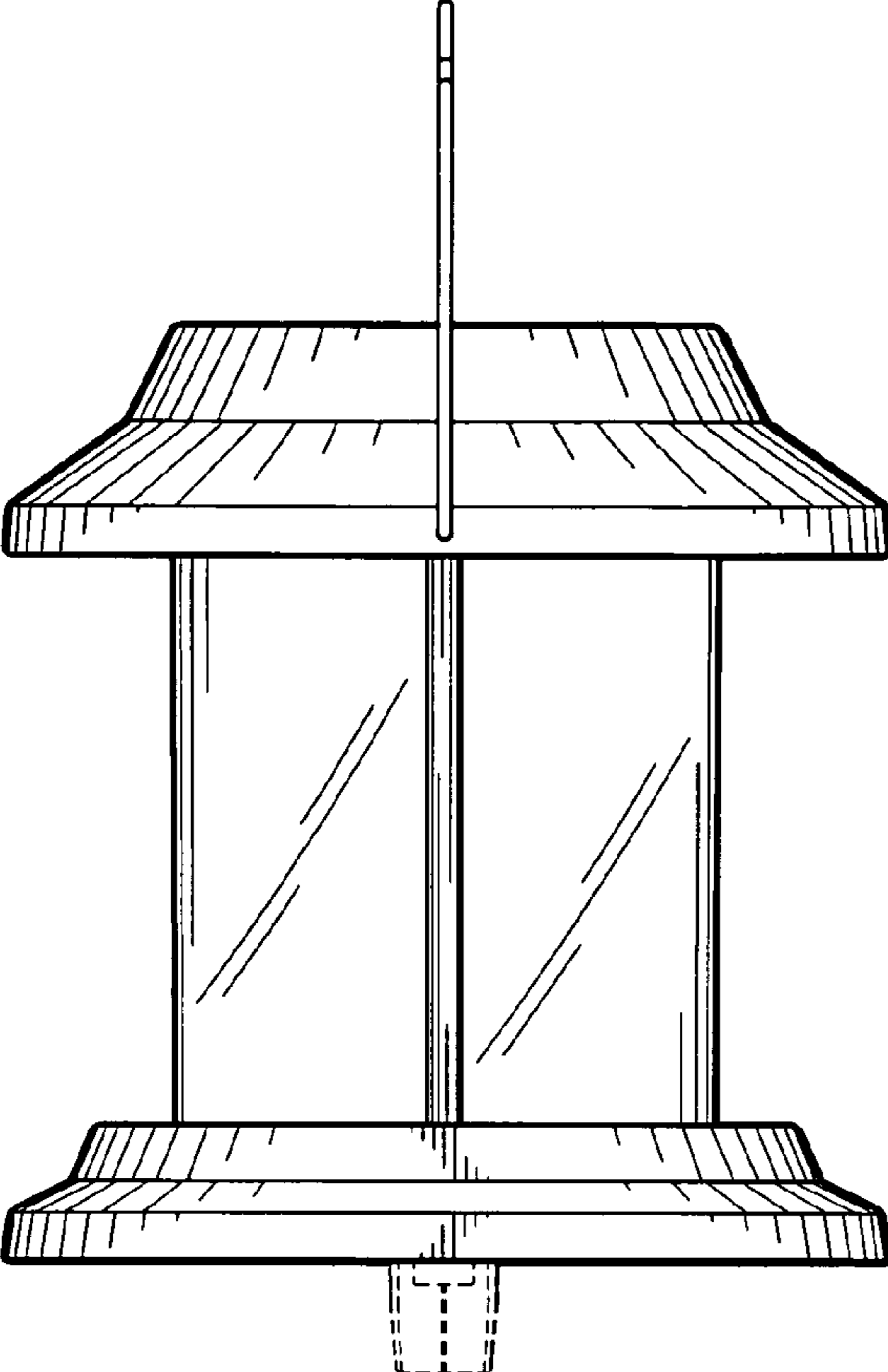


FIG.4

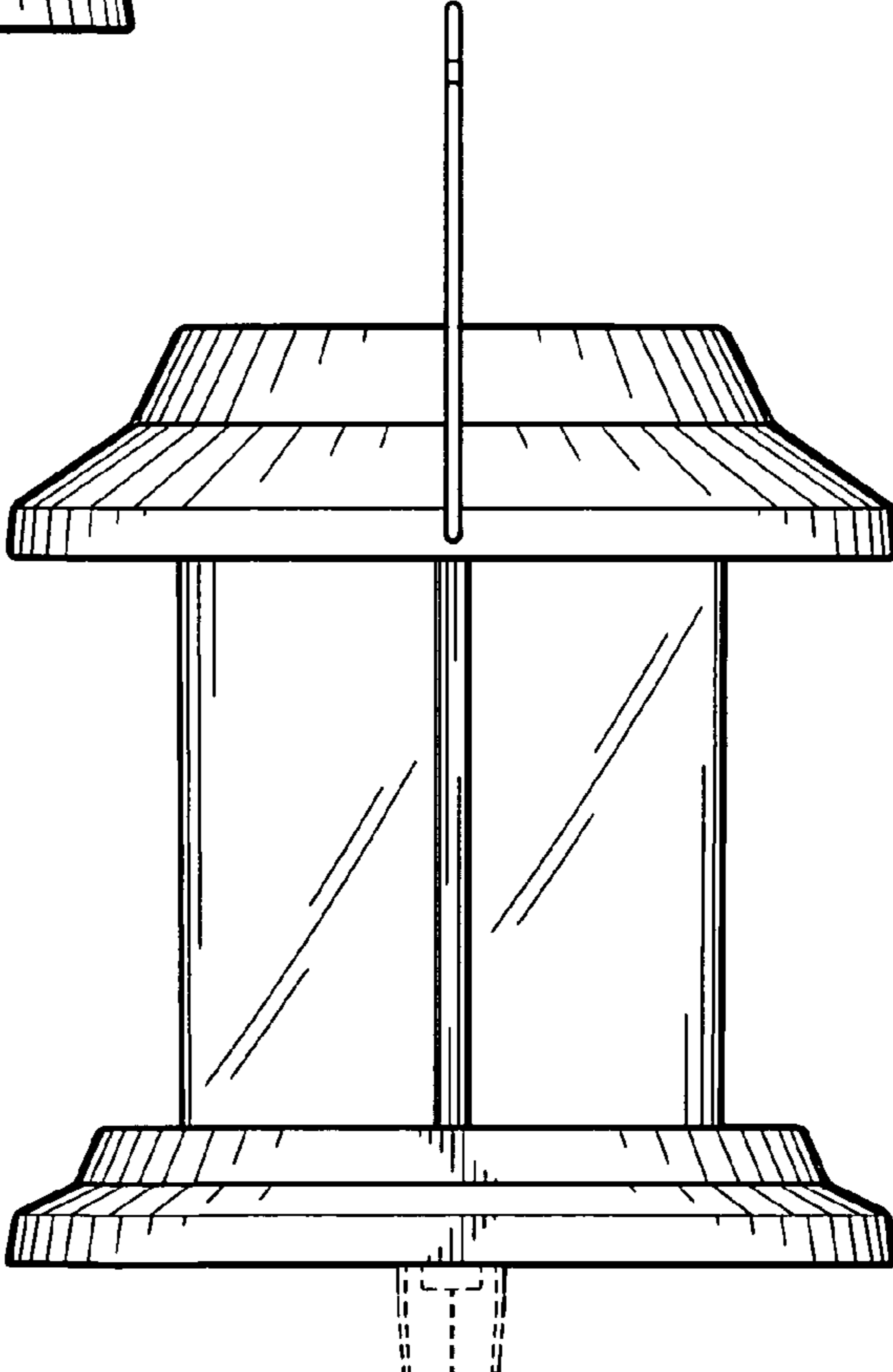


FIG.5

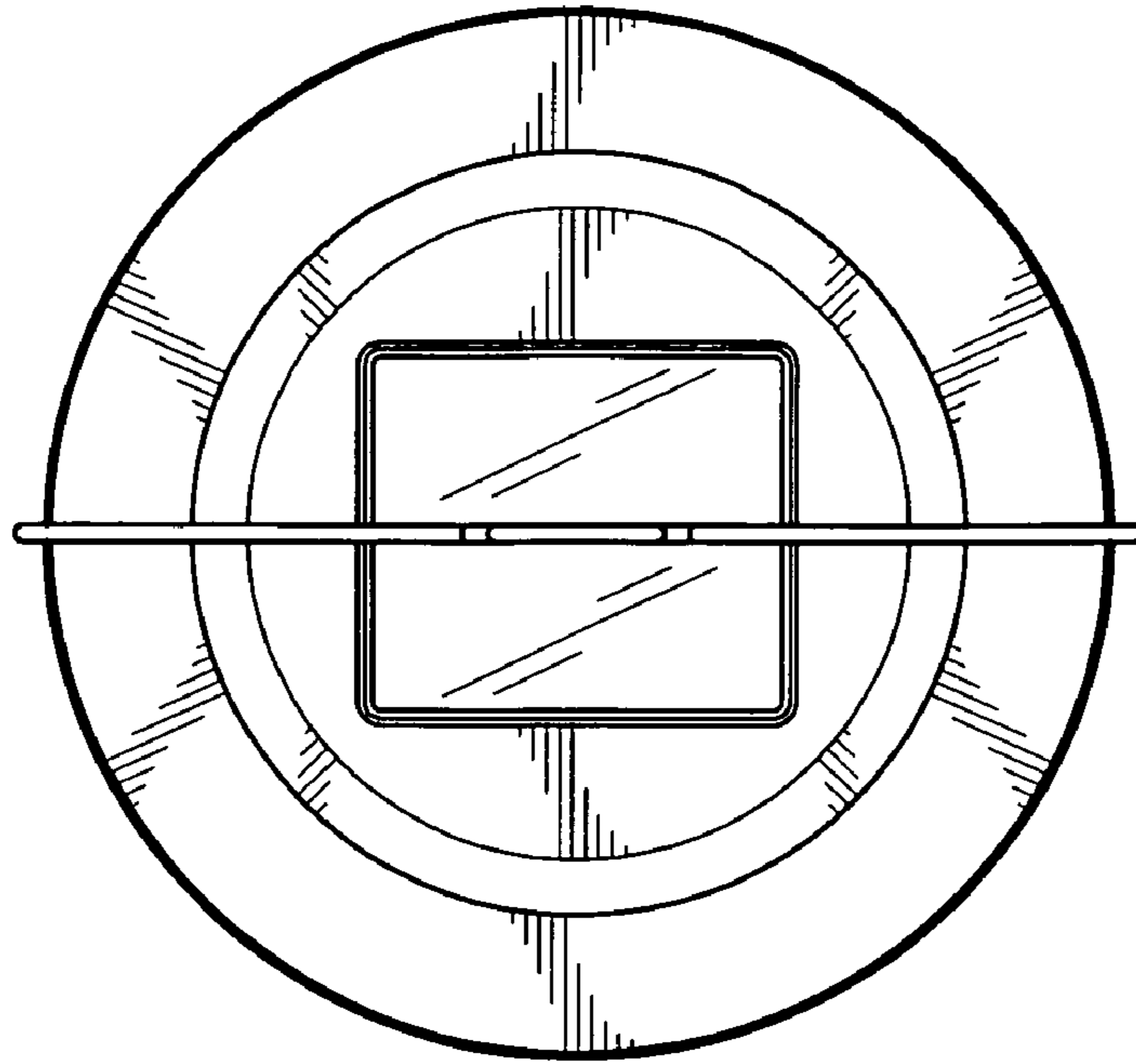


FIG. 6

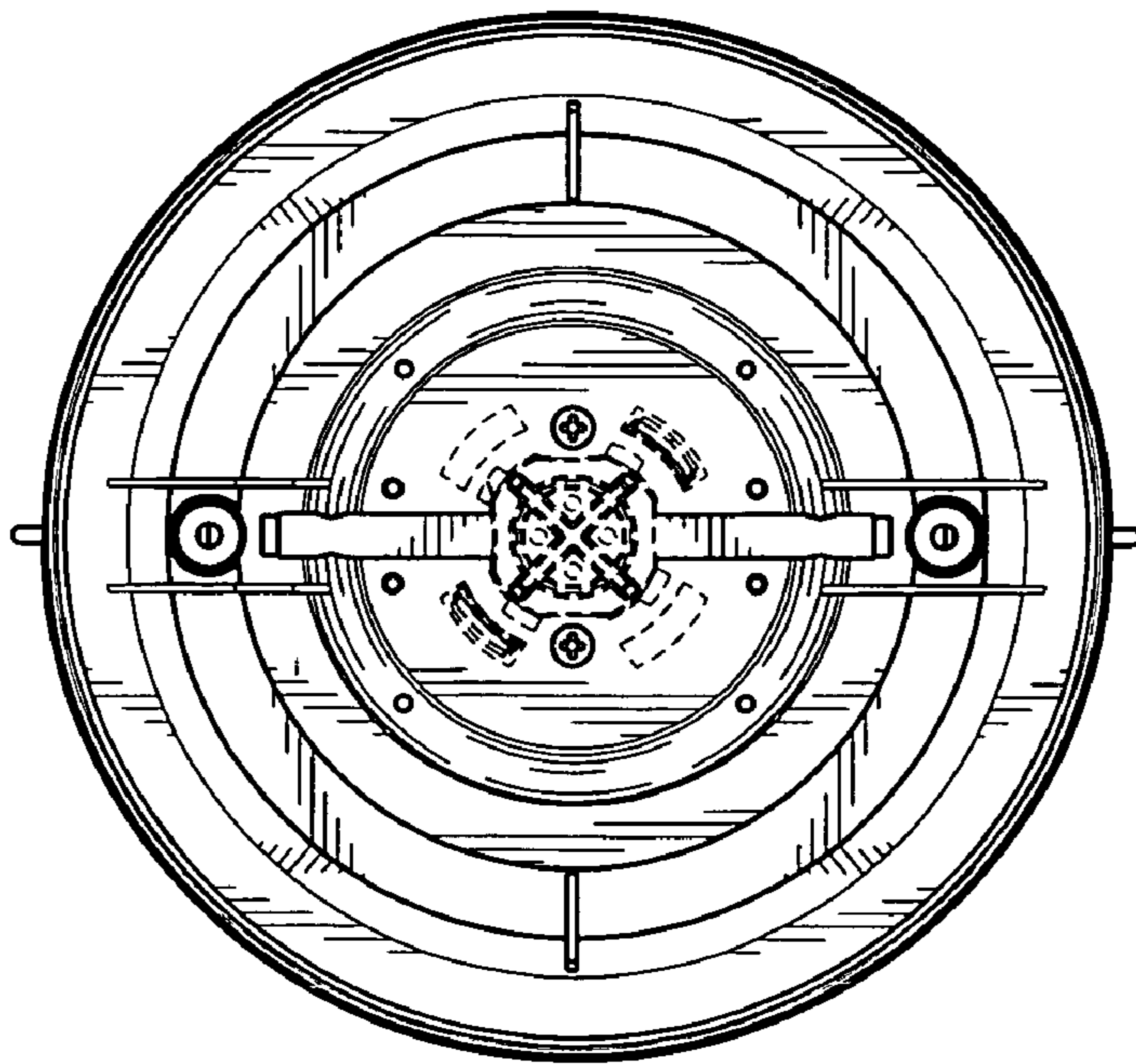


FIG. 7