



US00D625873S

(12) **United States Design Patent**
Prazak

(10) **Patent No.:** **US D625,873 S**

(45) **Date of Patent:** **** Oct. 19, 2010**

(54) **FLOOR LAMP**

(76) **Inventor:** **William Matthew Prazak**, 8213 Paw
Paw Springs Rd., Smyrna, TN (US)
37167

(**) **Term:** **14 Years**

(21) **Appl. No.:** **29/315,953**

(22) **Filed:** **Aug. 10, 2009**

(51) **LOC (9) Cl.** **26-05**

(52) **U.S. Cl.** **D26/65**

(58) **Field of Classification Search** D26/61-65,
D26/93; 362/287, 401, 253, 413-145, 427-429,
362/419, 422

See application file for complete search history.

(56) **References Cited**

U.S. PATENT DOCUMENTS

4,974,135	A *	11/1990	Wen-tsung	362/287
D325,647	S *	4/1992	Hwang	D26/63
D330,266	S *	10/1992	Lin	D26/65
D393,732	S *	4/1998	Rubenzer	D26/65
D414,577	S *	9/1999	Huang	D26/65
D442,311	S *	5/2001	Kao et al.	D26/65
D463,598	S *	9/2002	Sonneman	D26/65
D525,382	S *	7/2006	Chen	D26/65
7,237,931	B2 *	7/2007	Chen	362/427
D556,355	S *	11/2007	Foster	D26/63
D565,224	S *	3/2008	Salatto-Rose	D26/65
D574,990	S *	8/2008	Tsai	D26/63

D577,142	S *	9/2008	Kovacik et al.	D26/63
D580,082	S *	11/2008	Zemar	D26/63
D590,091	S *	4/2009	Starck	D26/93
D606,694	S *	12/2009	Sabernig	D26/65
2006/0203489	A1 *	9/2006	Chen	362/253

* cited by examiner

Primary Examiner—Mitchell I Siegel

(74) *Attorney, Agent, or Firm*—David D. Winters

(57) **CLAIM**

The ornamental design for “floor lamp,” as shown and described.

DESCRIPTION

FIG. 1 is a front view of the floor lamp.

FIG. 2 is a back view of the floor lamp.

FIG. 3 is a right side view of the floor lamp.

FIG. 4 is a left side view of the floor lamp.

FIG. 5 is a top view of the floor lamp.

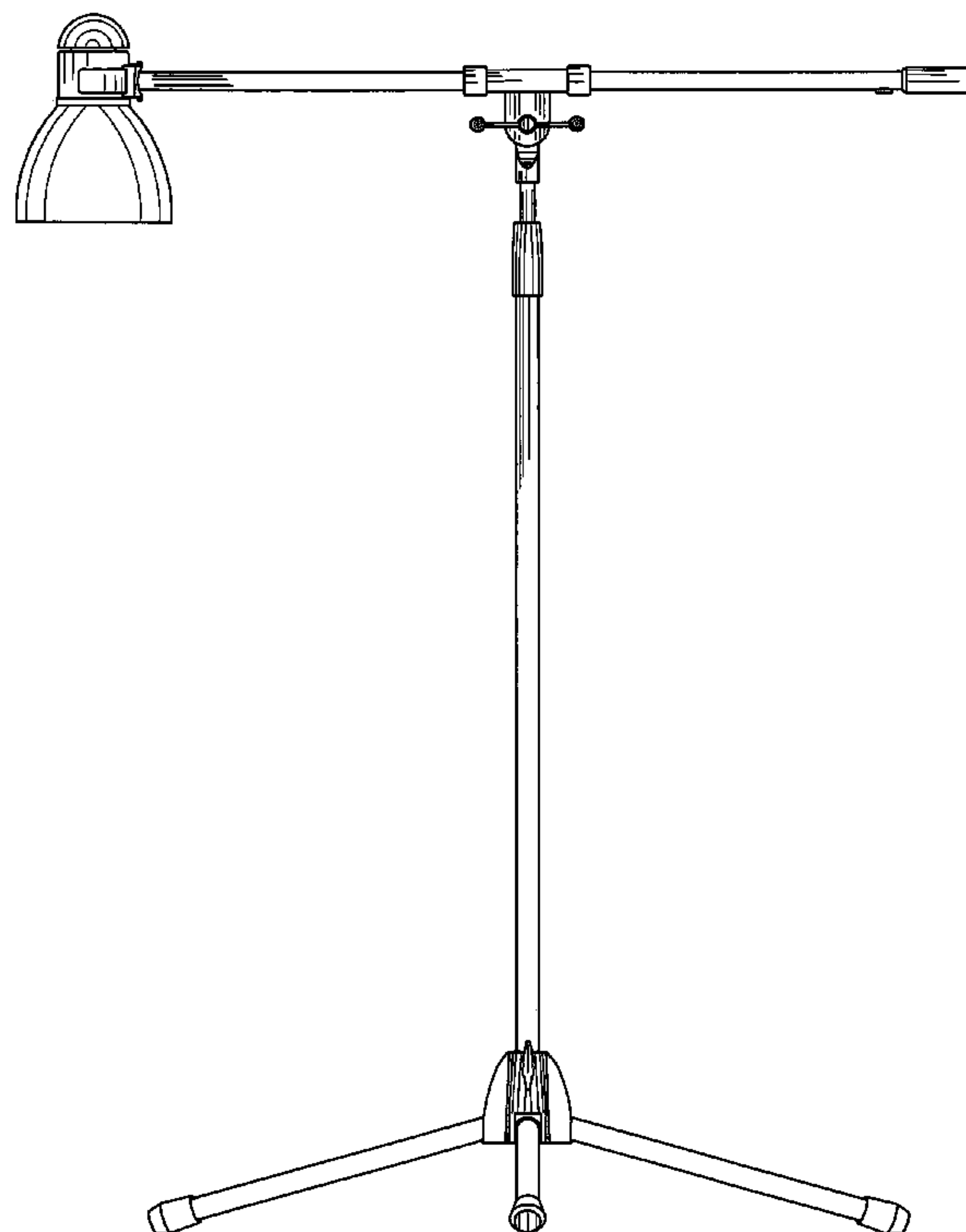
FIG. 6 is a bottom view of the floor lamp.

FIG. 6A shows an enlarged section of the bottom view of the floor lamp.

FIG. 7 is a partial left side view of the floor lamp shown in alternate position; and,

FIG. 7A is the completion of the left side view of the floor lamp shown in alternate position.

1 Claim, 8 Drawing Sheets



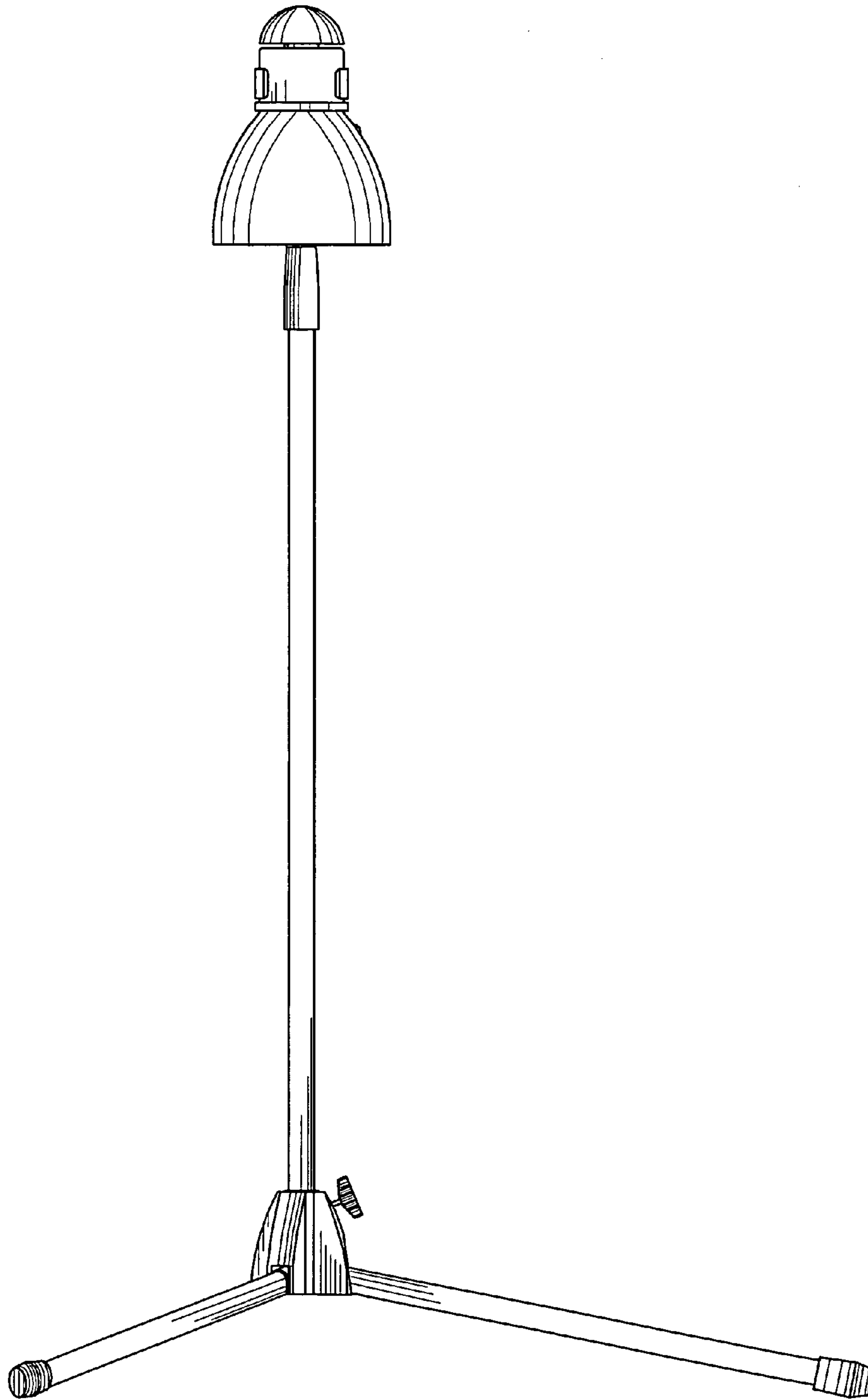
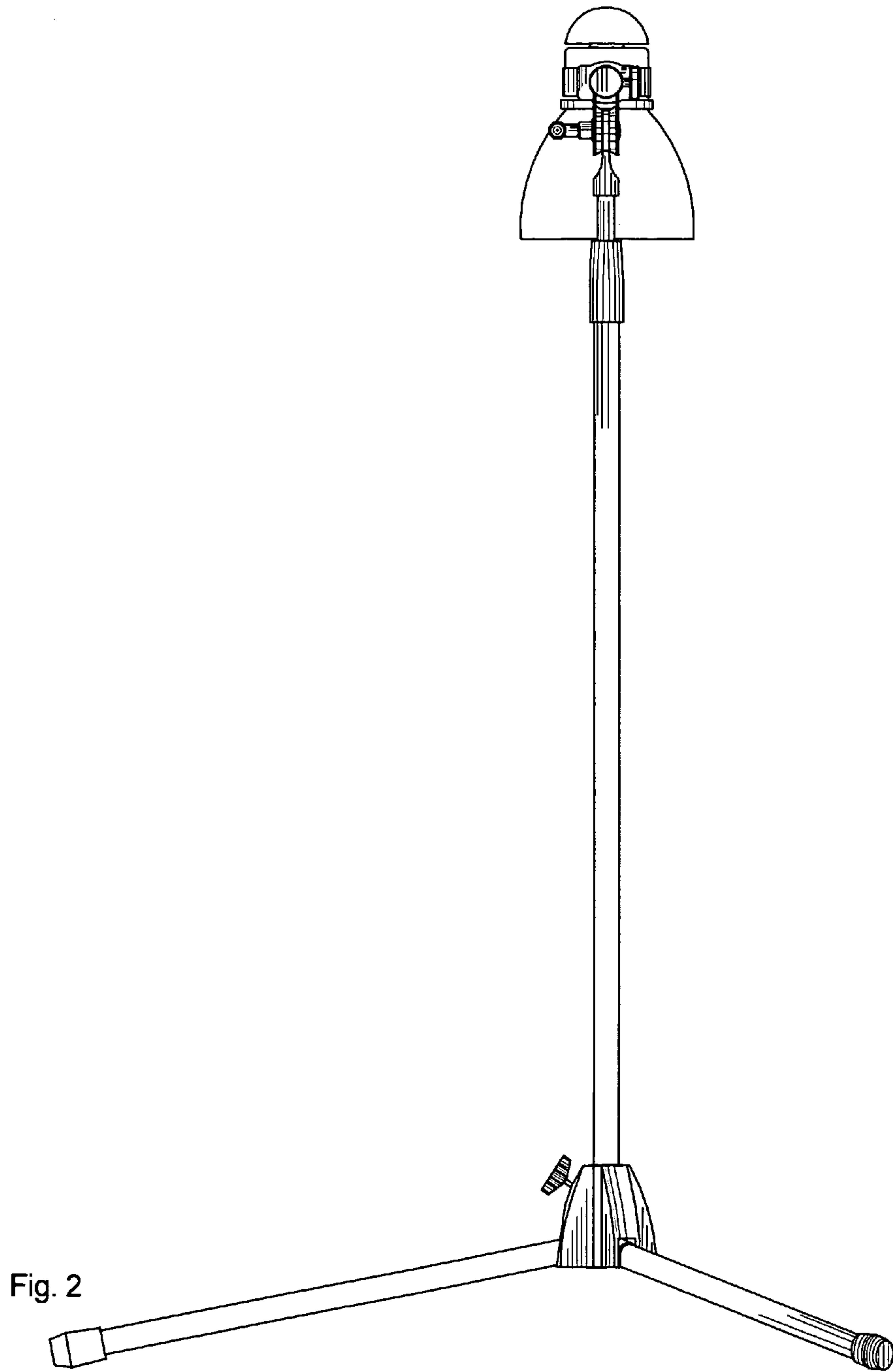


Fig. 1



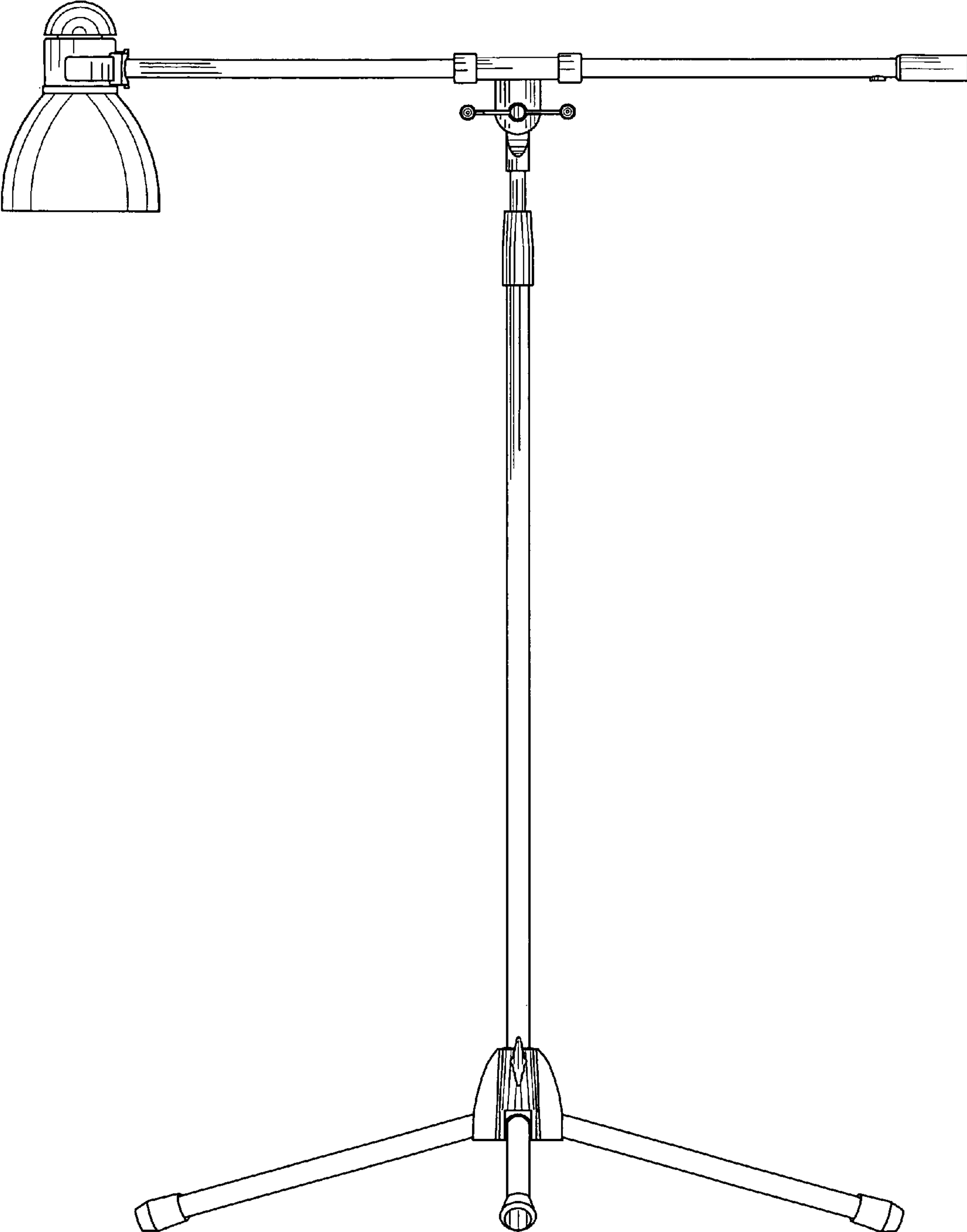


Fig. 3

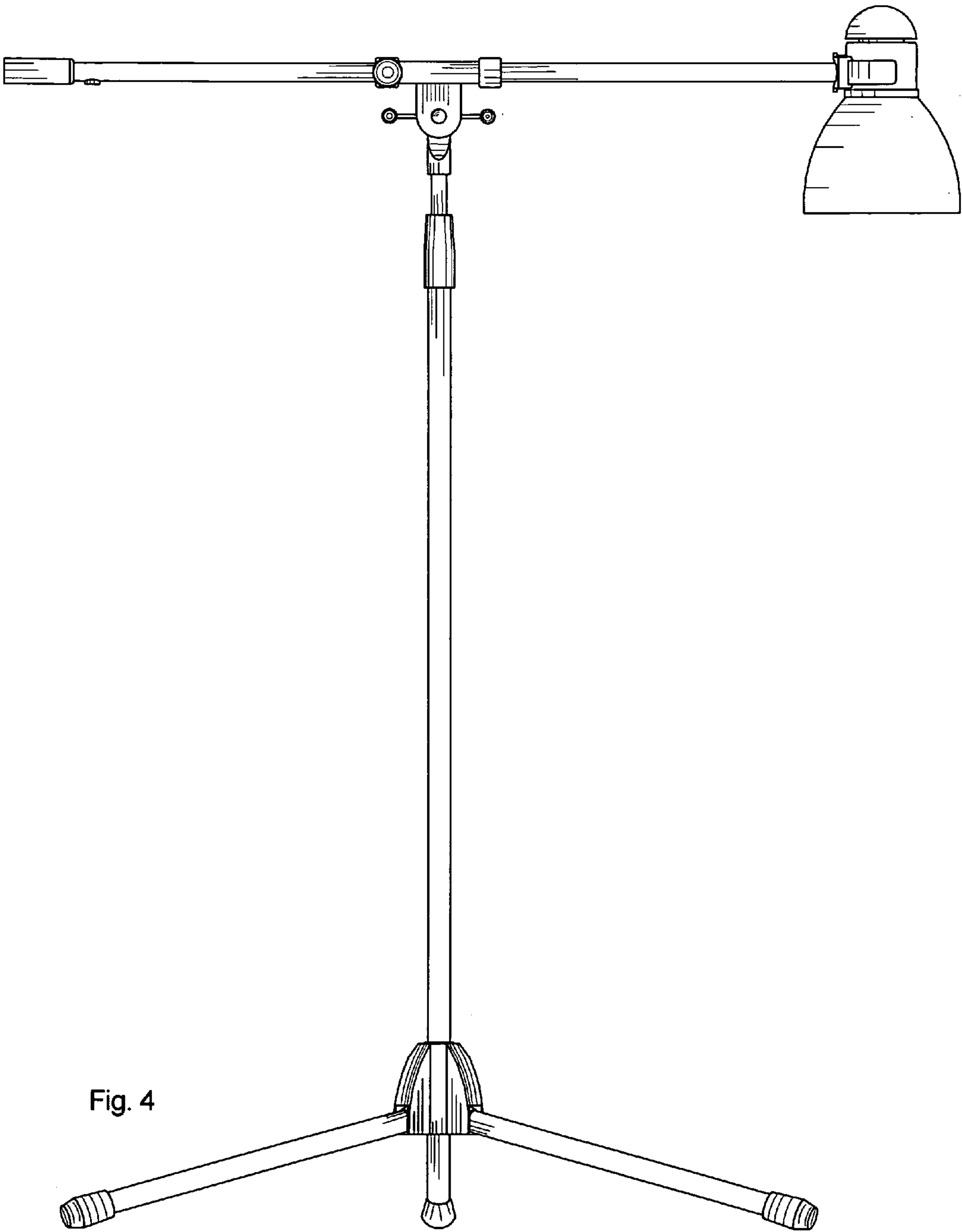


Fig. 4

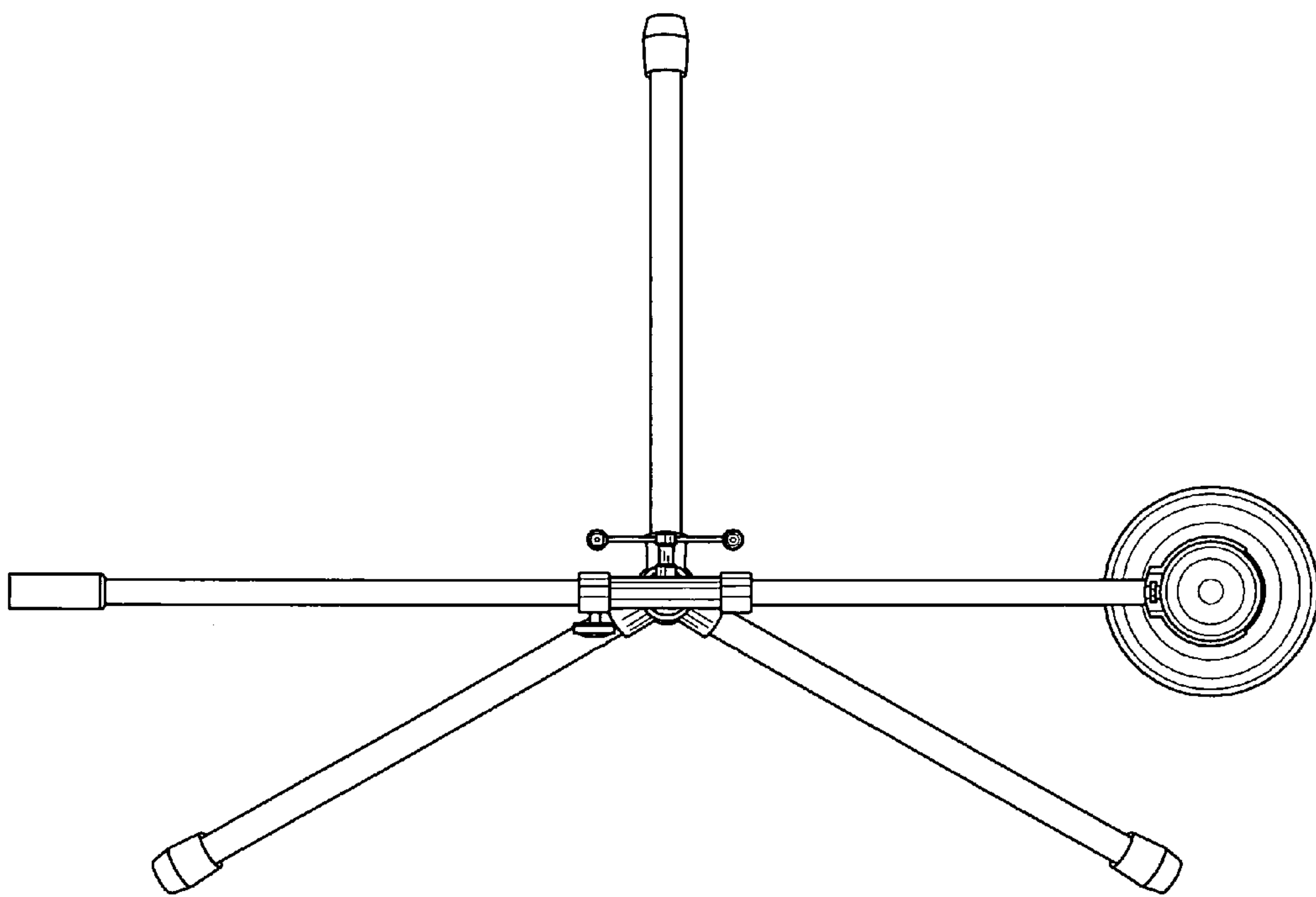


Fig. 5

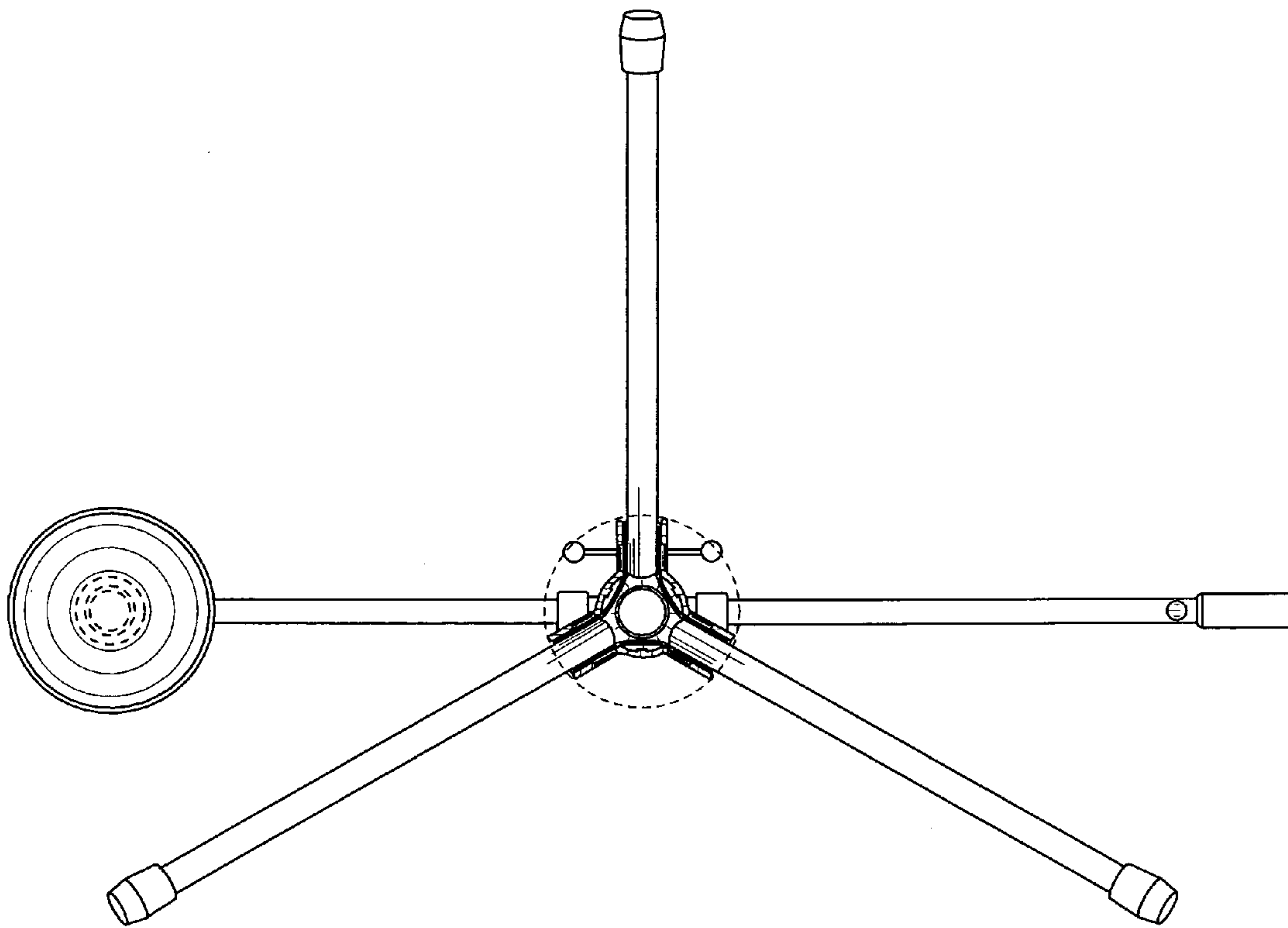


Fig. 6

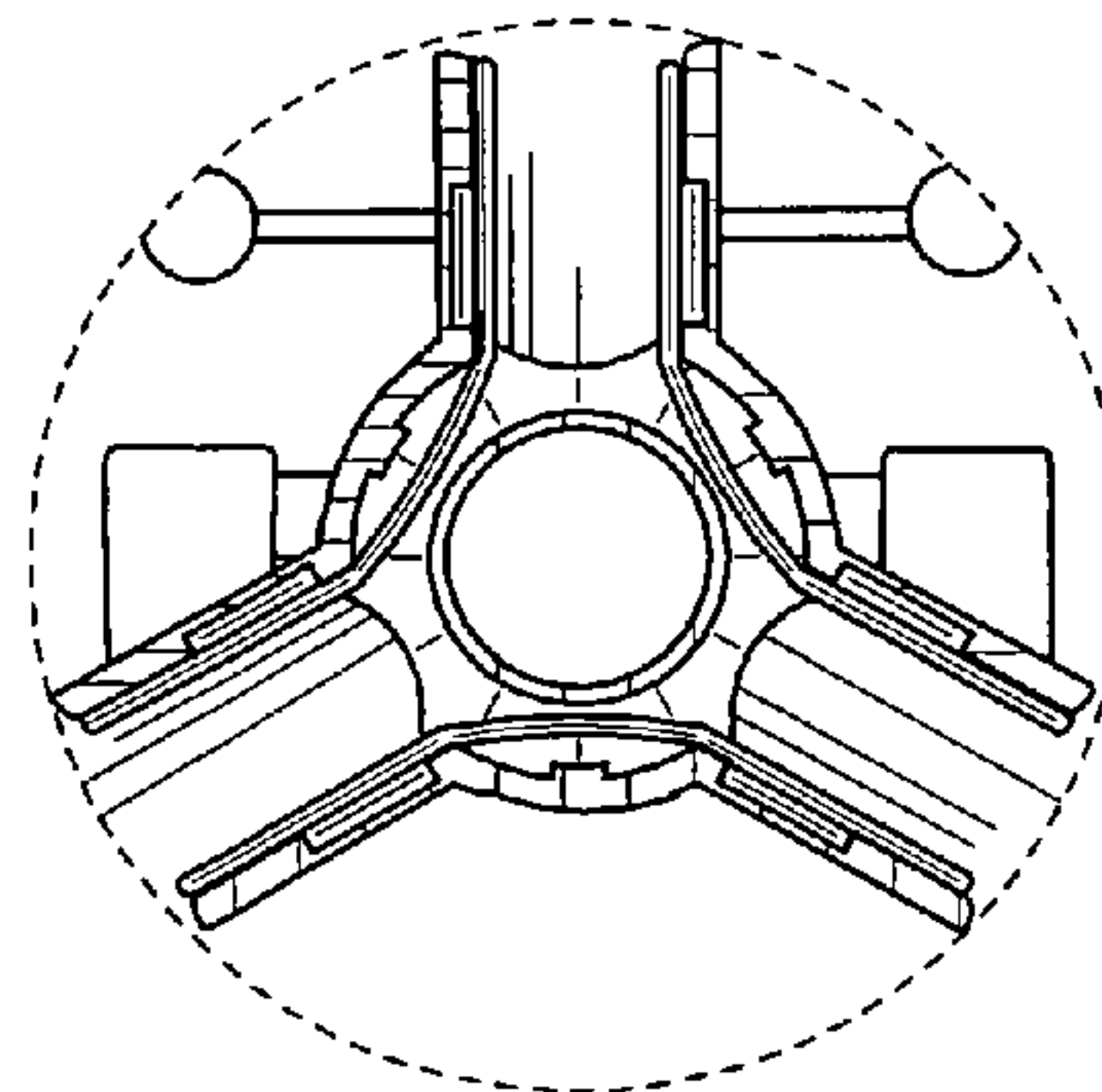


Fig. 6A

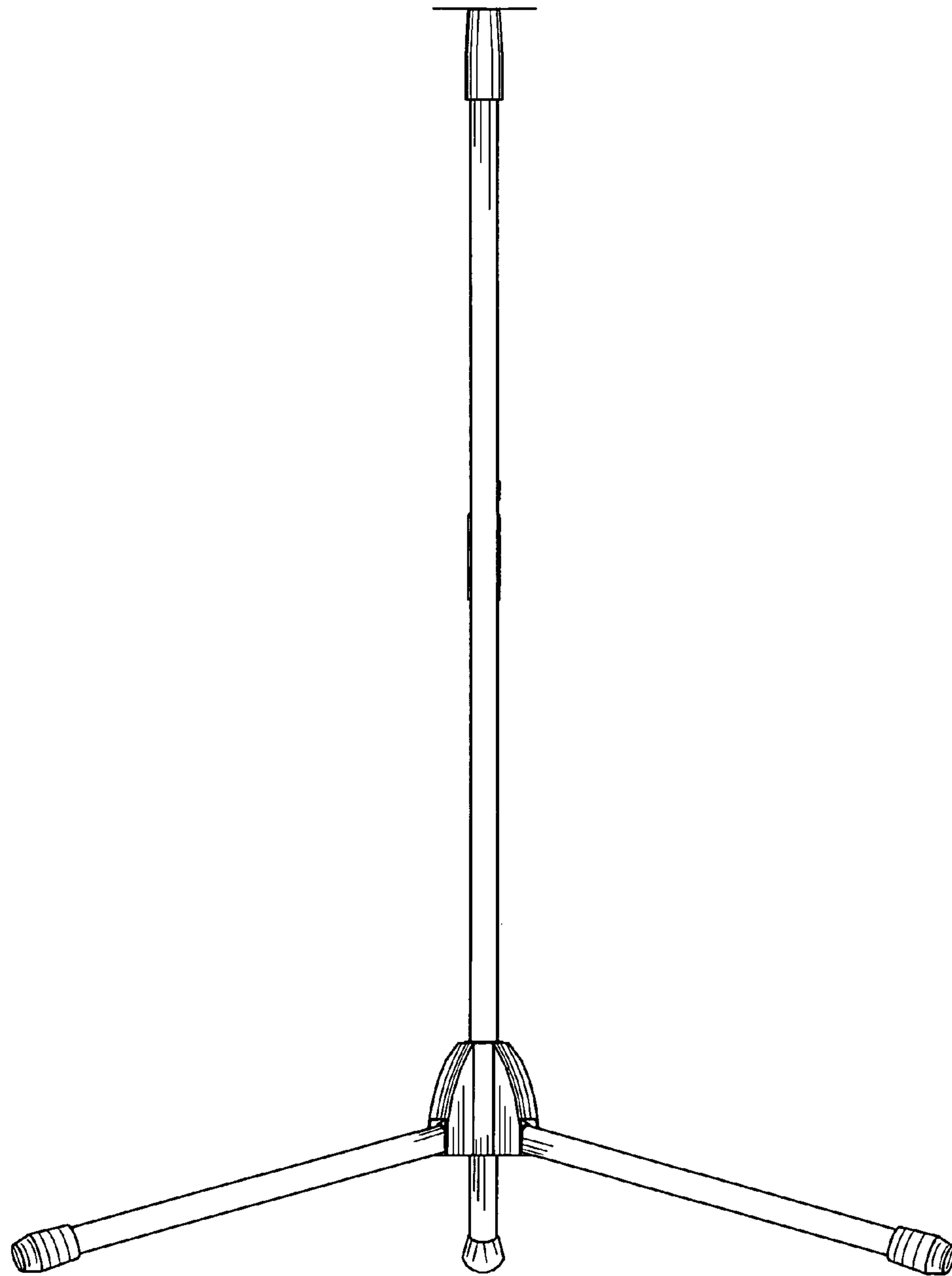


Fig. 7

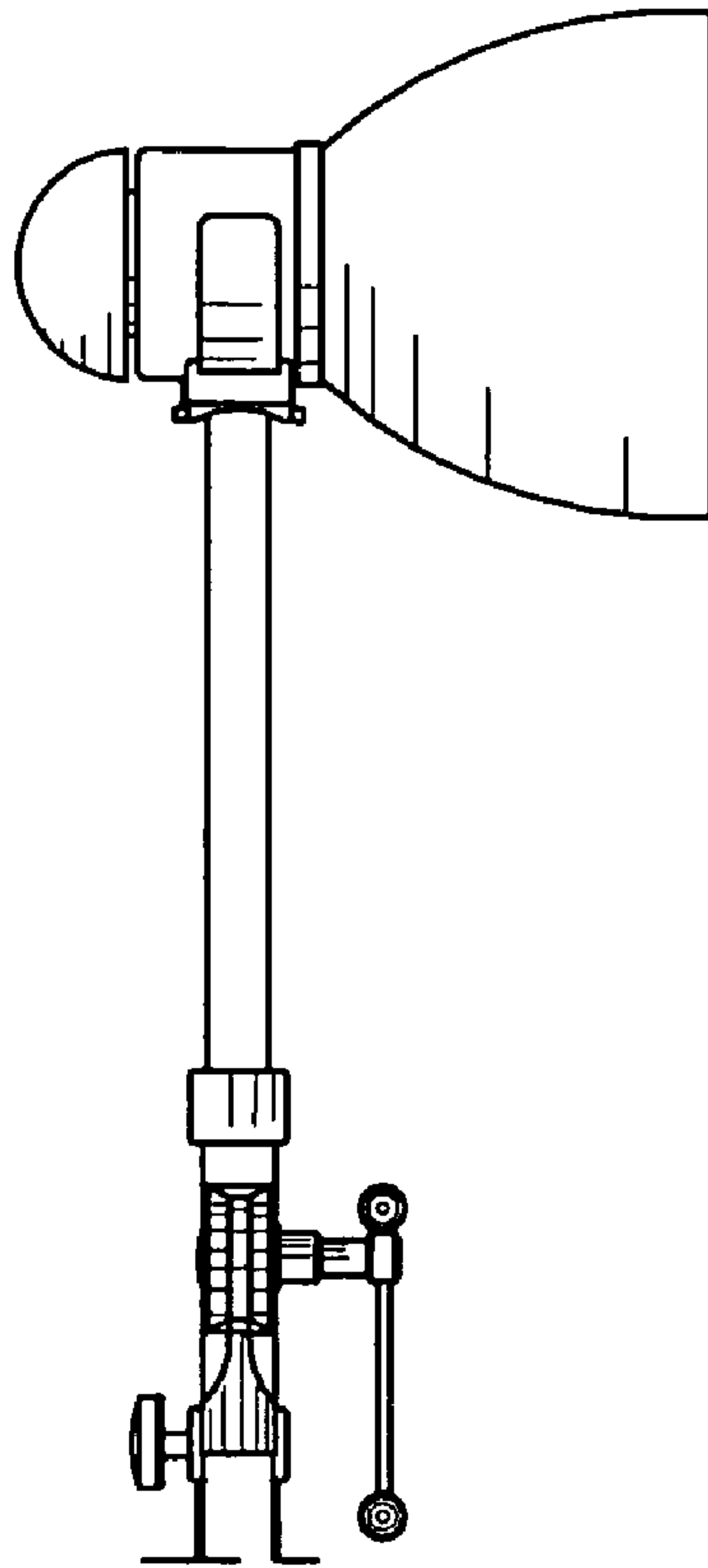


Fig. 7A