



US00D625872S

(12) **United States Design Patent**  
**Leen**

(10) **Patent No.:** **US D625,872 S**

(45) **Date of Patent:** **\*\* Oct. 19, 2010**

(54) **WORK LAMP**

2005/0111223 A1\* 5/2005 Lee et al. .... 362/269

(76) Inventor: **Monte Leen**, 11730NE. 12th St.,  
Bellevue, WA (US) 98005

\* cited by examiner

(\*\*) Term: **14 Years**

*Primary Examiner*—Susan M Lee  
*Assistant Examiner*—Linda G. Brooks  
(74) *Attorney, Agent, or Firm*—Dean A. Craine

(21) Appl. No.: **29/358,289**

(22) Filed: **Mar. 25, 2010**

(57) **CLAIM**

(51) **LOC (9) Cl.** ..... **26-05**

The ornamental design for a work lamp, as shown and described.

(52) **U.S. Cl.** ..... **D26/63**

(58) **Field of Classification Search** ..... D26/61–66,  
D26/60; 362/269, 282, 285, 277–291  
See application file for complete search history.

**DESCRIPTION**

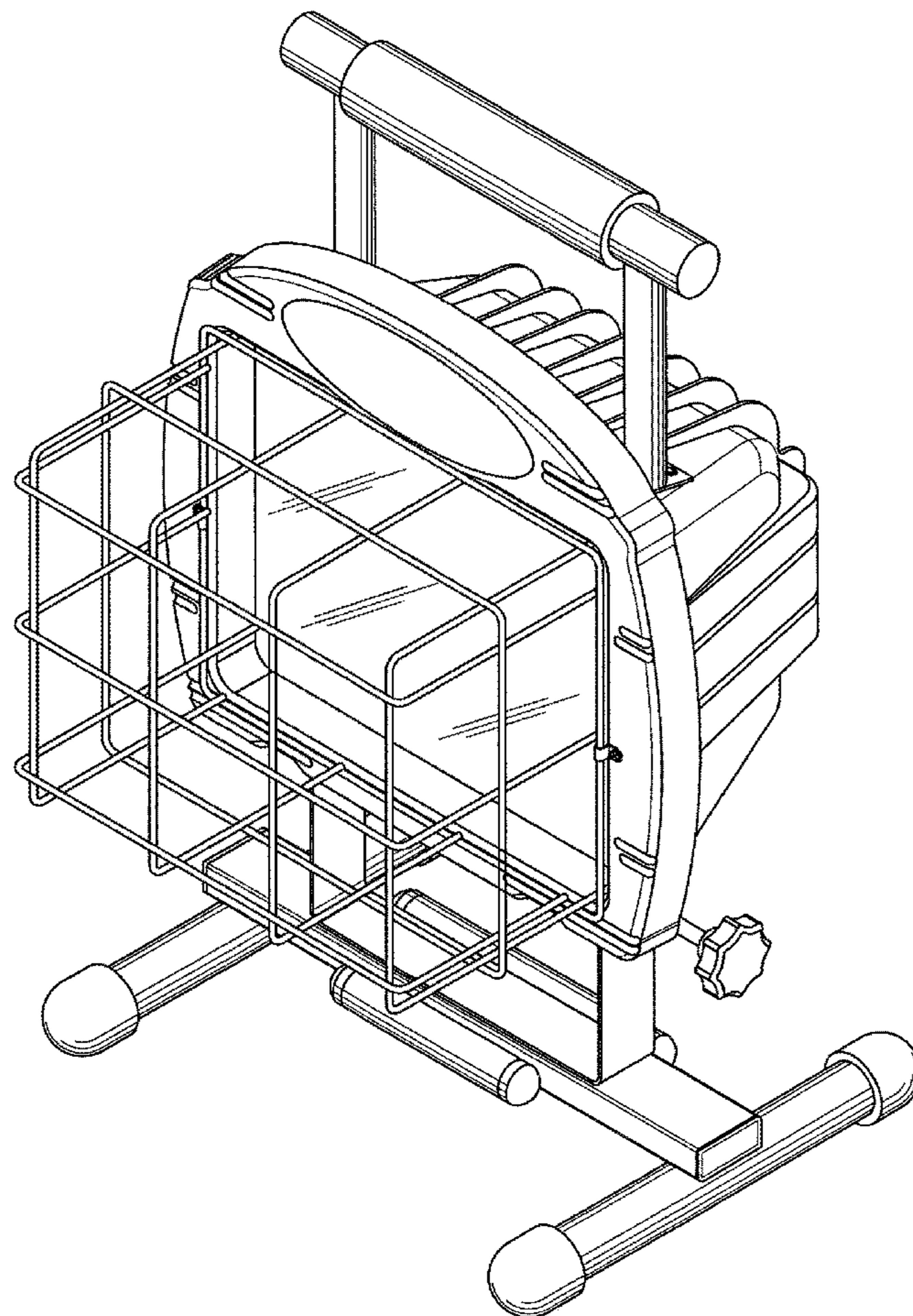
(56) **References Cited**

U.S. PATENT DOCUMENTS

D380,568 S	*	7/1997	Landy	.....	D26/63
D385,640 S	*	10/1997	Leen	.....	D26/63
D449,398 S	*	10/2001	Tsao	.....	D26/63
D486,261 S	*	2/2004	Tsai	.....	D26/63
D486,599 S	*	2/2004	Bayat et al.	.....	D26/63
D505,220 S	*	5/2005	Stekelenburg	.....	D26/61

FIG. 1 is a front perspective view of the work lamp.  
FIG. 2 is a front elevational view of the invention.  
FIG. 3 is a rear elevational view of the invention.  
FIG. 4 is a right side elevational view of the invention.  
FIG. 5 is a left side elevational view of the invention.  
FIG. 6 is a top plan view of the invention; and,  
FIG. 7 is a bottom plan view of the invention.

**1 Claim, 4 Drawing Sheets**



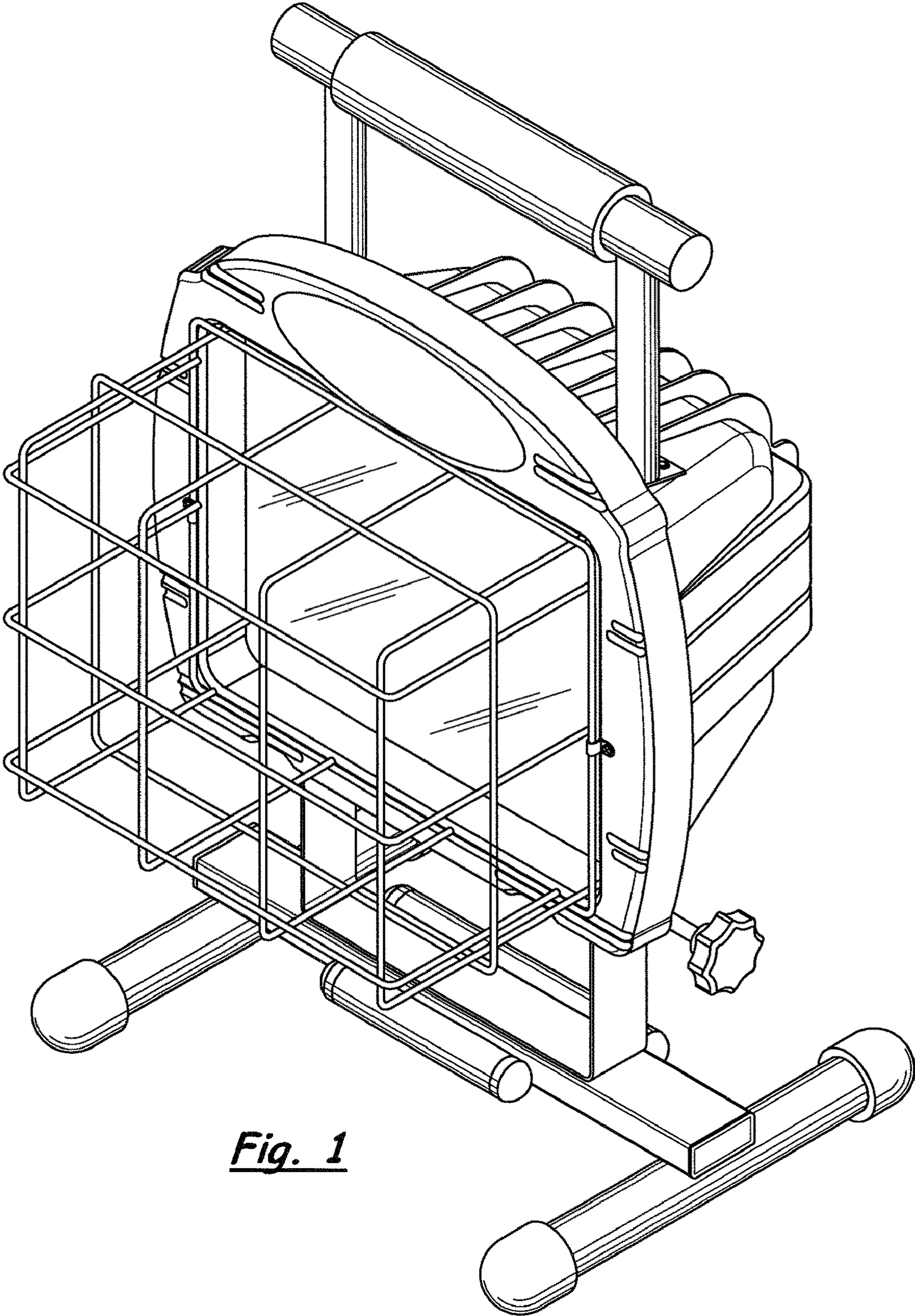
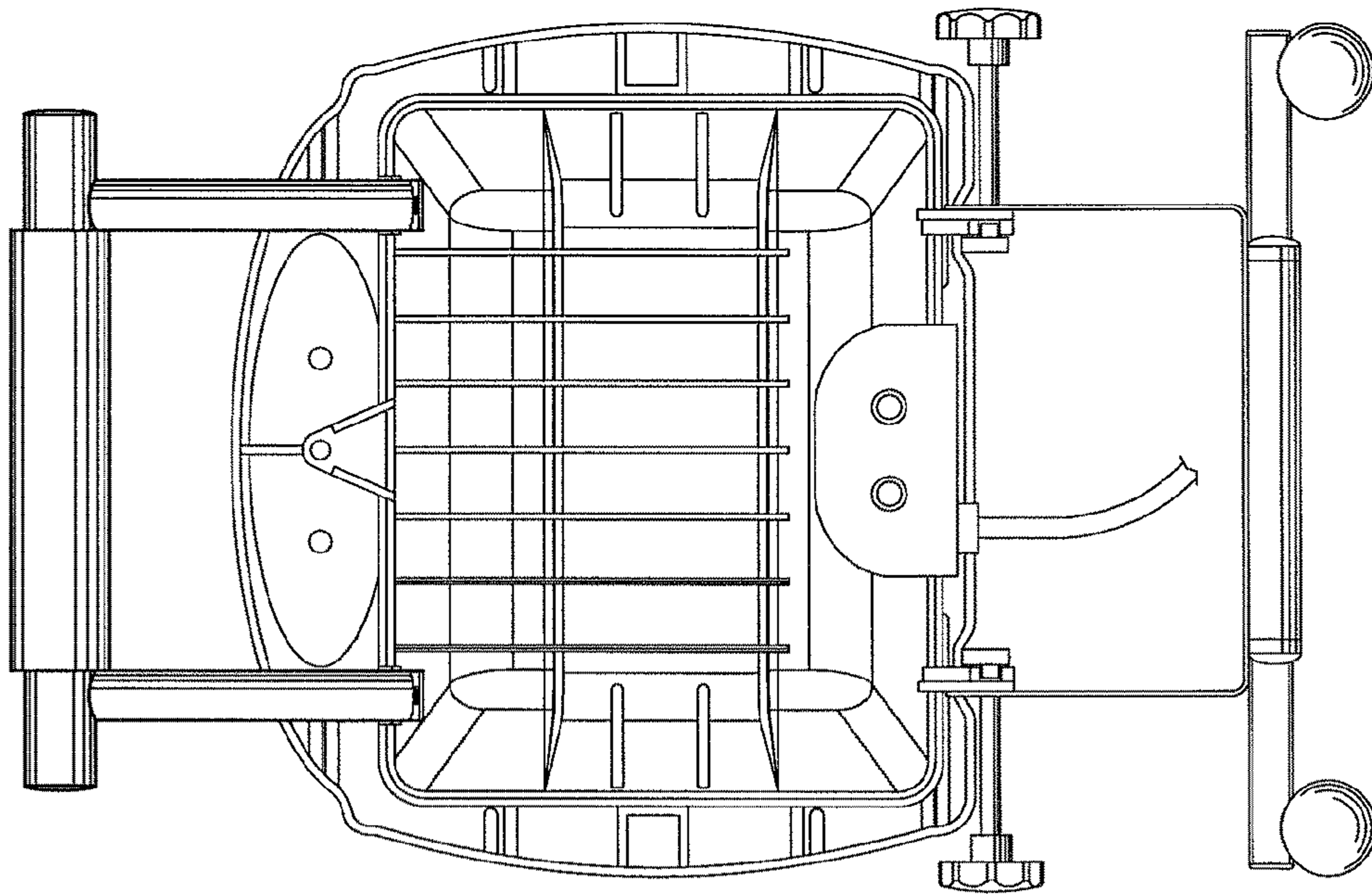
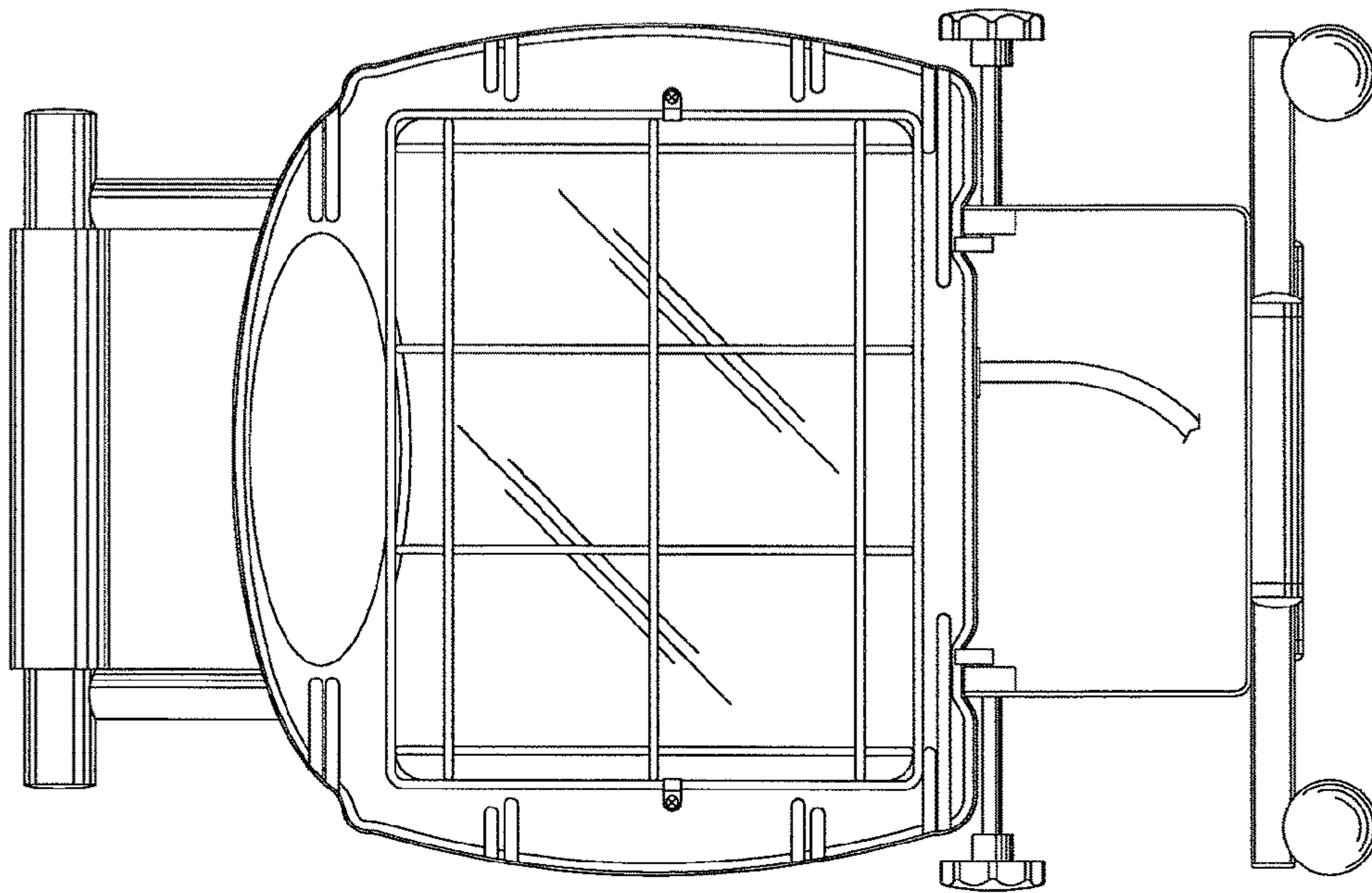


Fig. 1

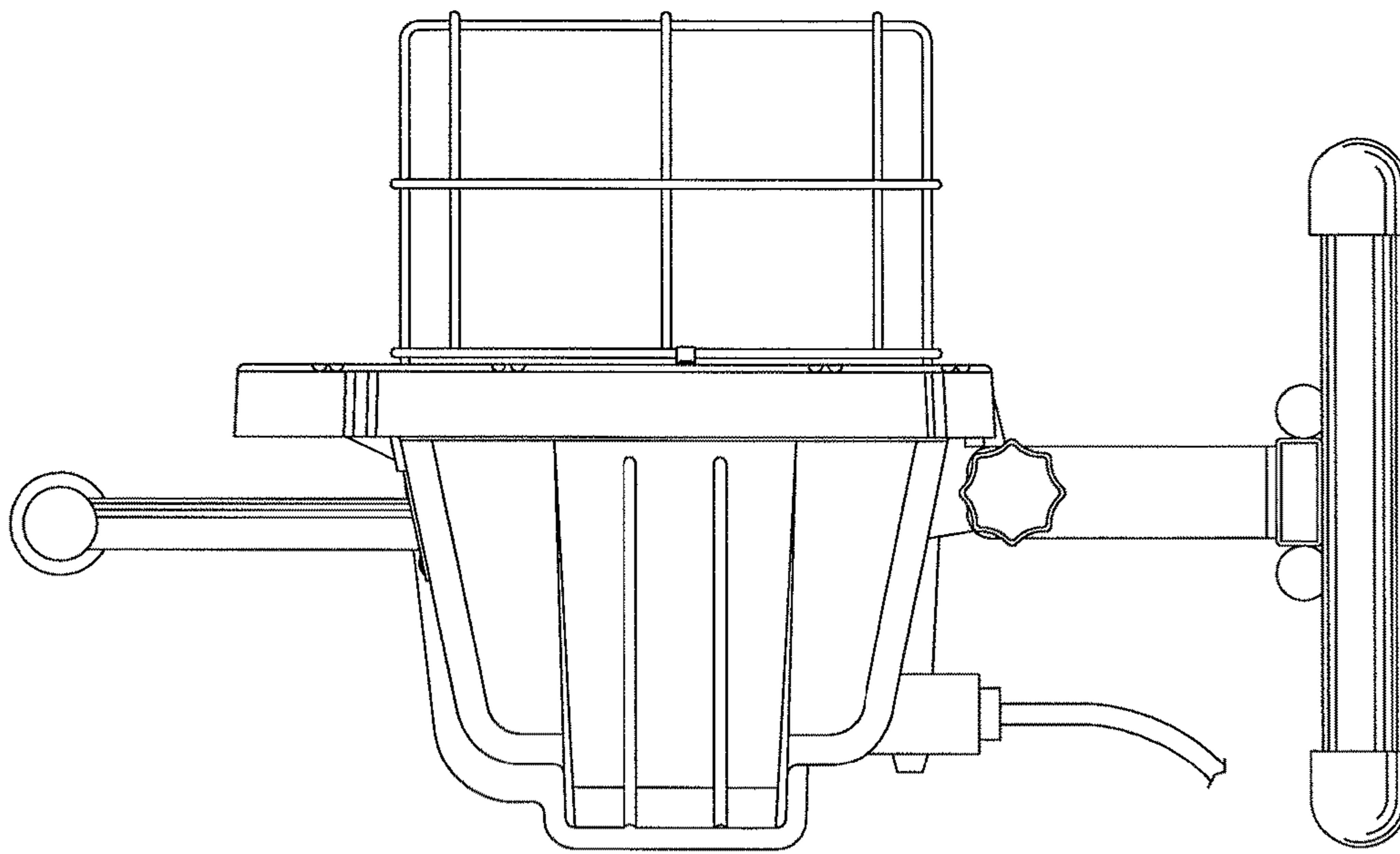




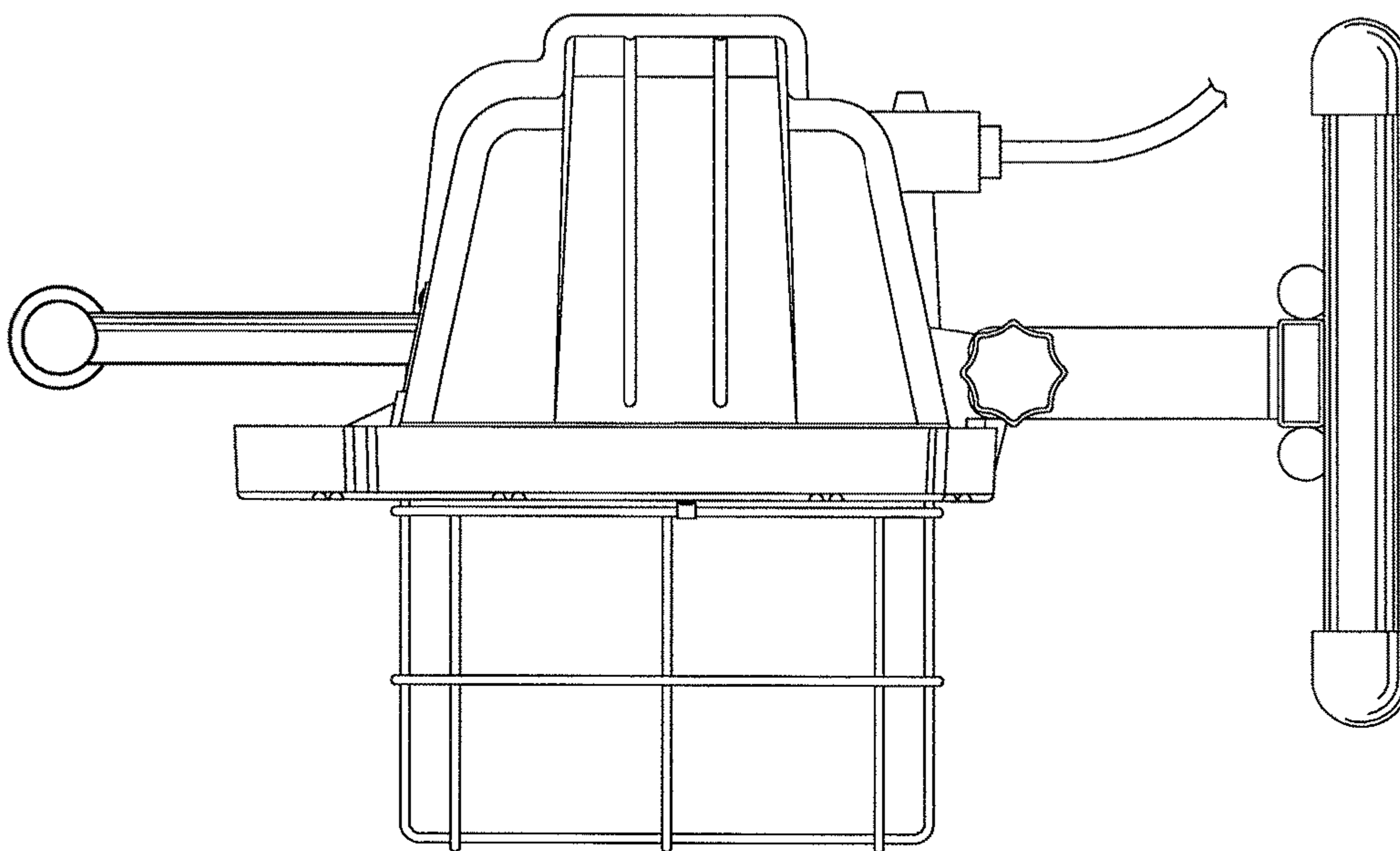
*Fig. 3*



*Fig. 2*



*Fig. 5*



*Fig. 4*

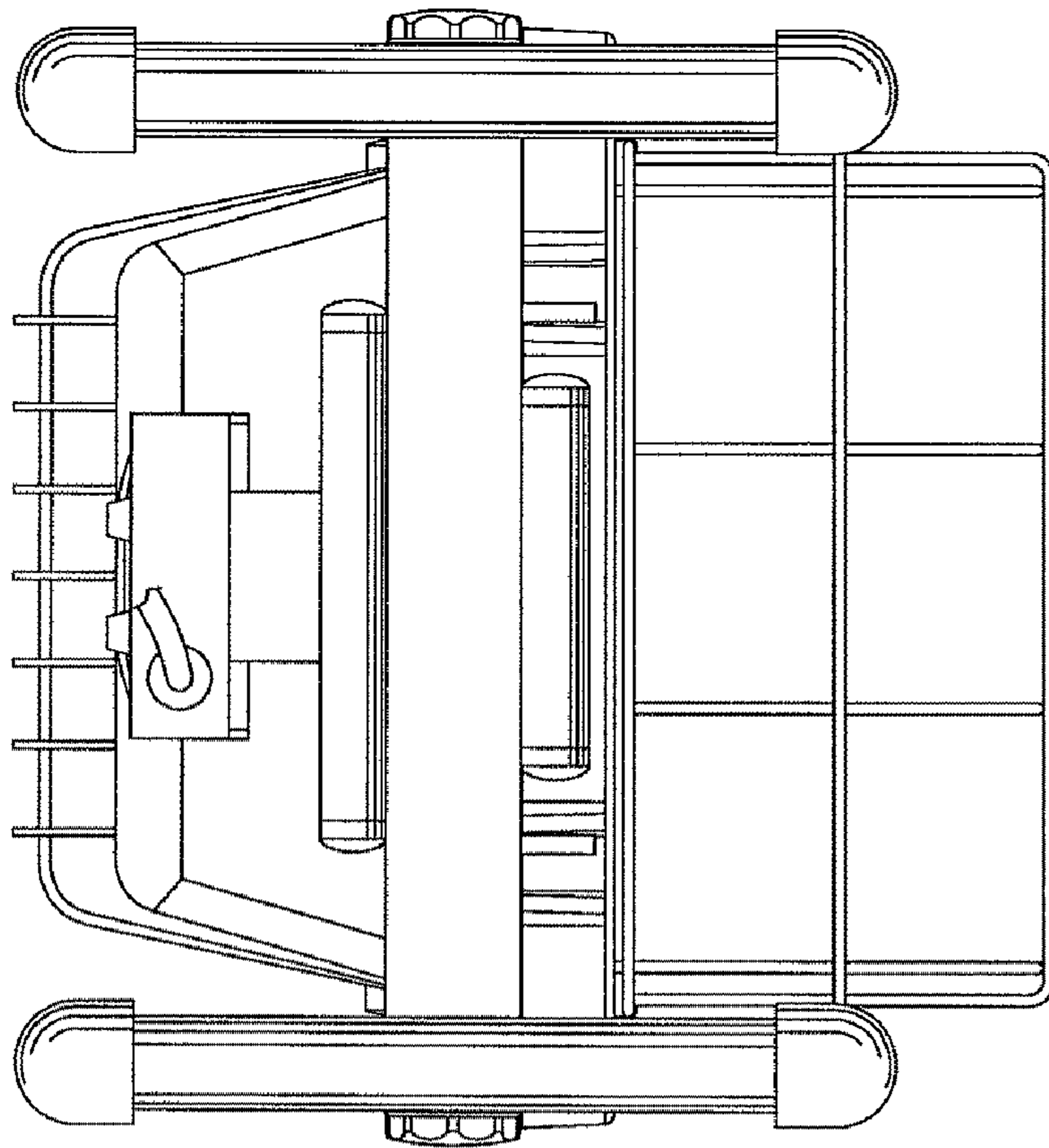


Fig. 7

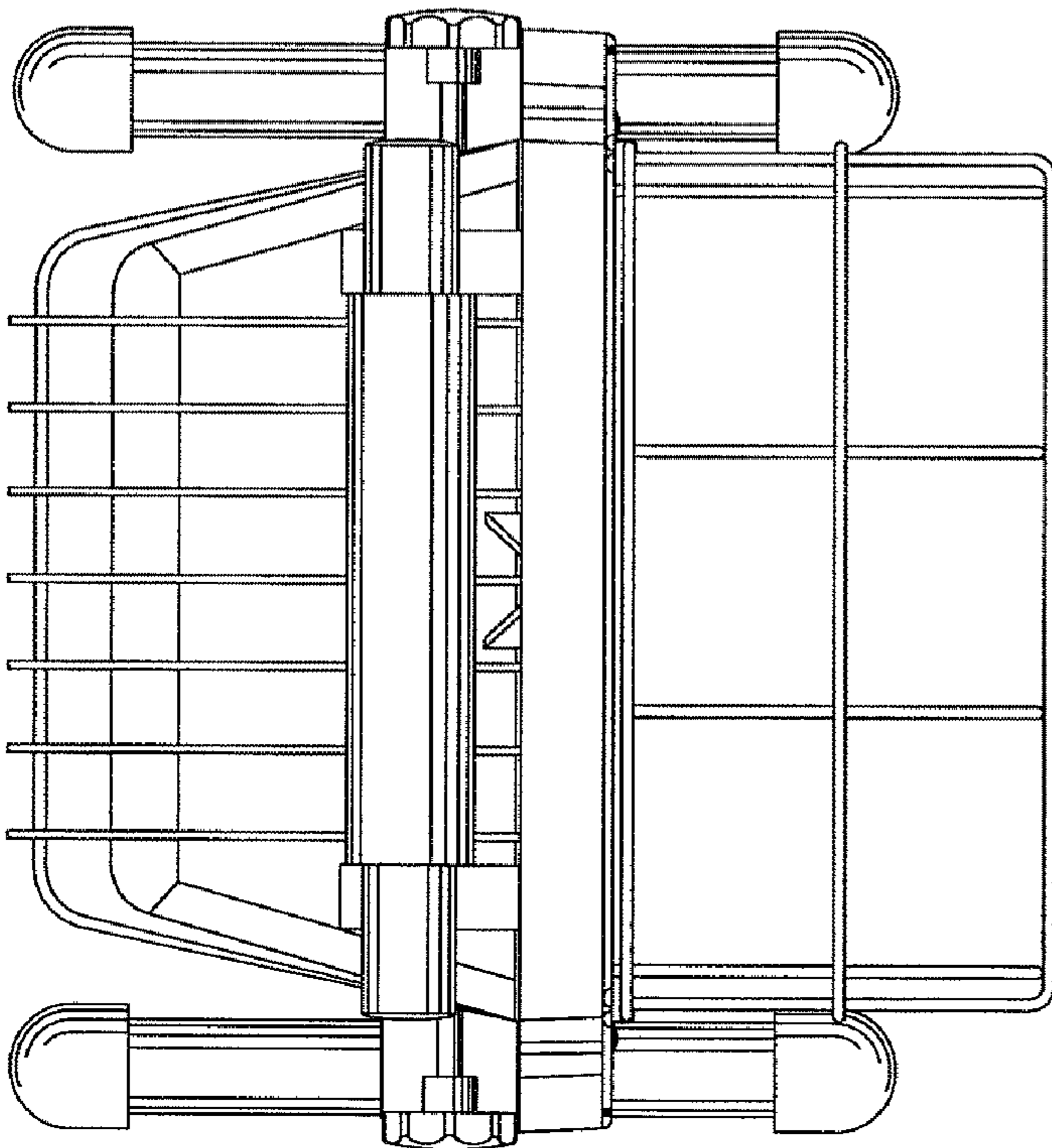


Fig. 6