



US00D625871S

(12) **United States Design Patent**
Huang

(10) **Patent No.:** **US D625,871 S**
(45) **Date of Patent:** **** Oct. 19, 2010**

(54) **LIGHT EMITTING DIODE LIGHT PROJECTING ASSEMBLY**

(75) Inventor: **Chun-Chiang Huang**, Taipei (TW)

(73) Assignee: **Edison Opto Corporation**, Taipei Hsien (TW)

(**) Term: **14 Years**

(21) Appl. No.: **29/353,802**

(22) Filed: **Jan. 14, 2010**

(51) **LOC (9) Cl.** **26-05**

(52) **U.S. Cl.** **D26/63**

(58) **Field of Classification Search** D26/61-66,
D26/72, 81-84, 85-88, 67-71, 92, 93, 104,
D26/106; 362/147, 277-282, 285-289, 800,
362/269, 427, 413, 414, 430-432, 153, 153.1
See application file for complete search history.

(56) **References Cited**

U.S. PATENT DOCUMENTS

D507,668 S *	7/2005	Kwong	D26/24
7,137,721 B1 *	11/2006	Rao et al.	362/371
D556,354 S *	11/2007	Prazoff	D26/61
D564,119 S *	3/2008	Metlen	D26/63
D577,453 S *	9/2008	Metlen	D26/63
D589,636 S *	3/2009	Pinette	D26/63

* cited by examiner

Primary Examiner—Susan M Lee

Assistant Examiner—Linda G. Brooks

(74) *Attorney, Agent, or Firm*—Rosenberg, Klein & Lee

(57) **CLAIM**

The ornamental design for a light emitting diode light projecting assembly, as shown and described.

DESCRIPTION

FIG. 1 is a perspective view of a light emitting diode light projecting assembly showing my new design.

FIG. 2 is a front elevational view thereof.

FIG. 3 is a rear elevational view thereof.

FIG. 4 is a left side elevational view thereof.

FIG. 5 is a right side elevational view thereof.

FIG. 6 is a top side elevational view thereof.

FIG. 7 is a bottom side elevational view thereof.

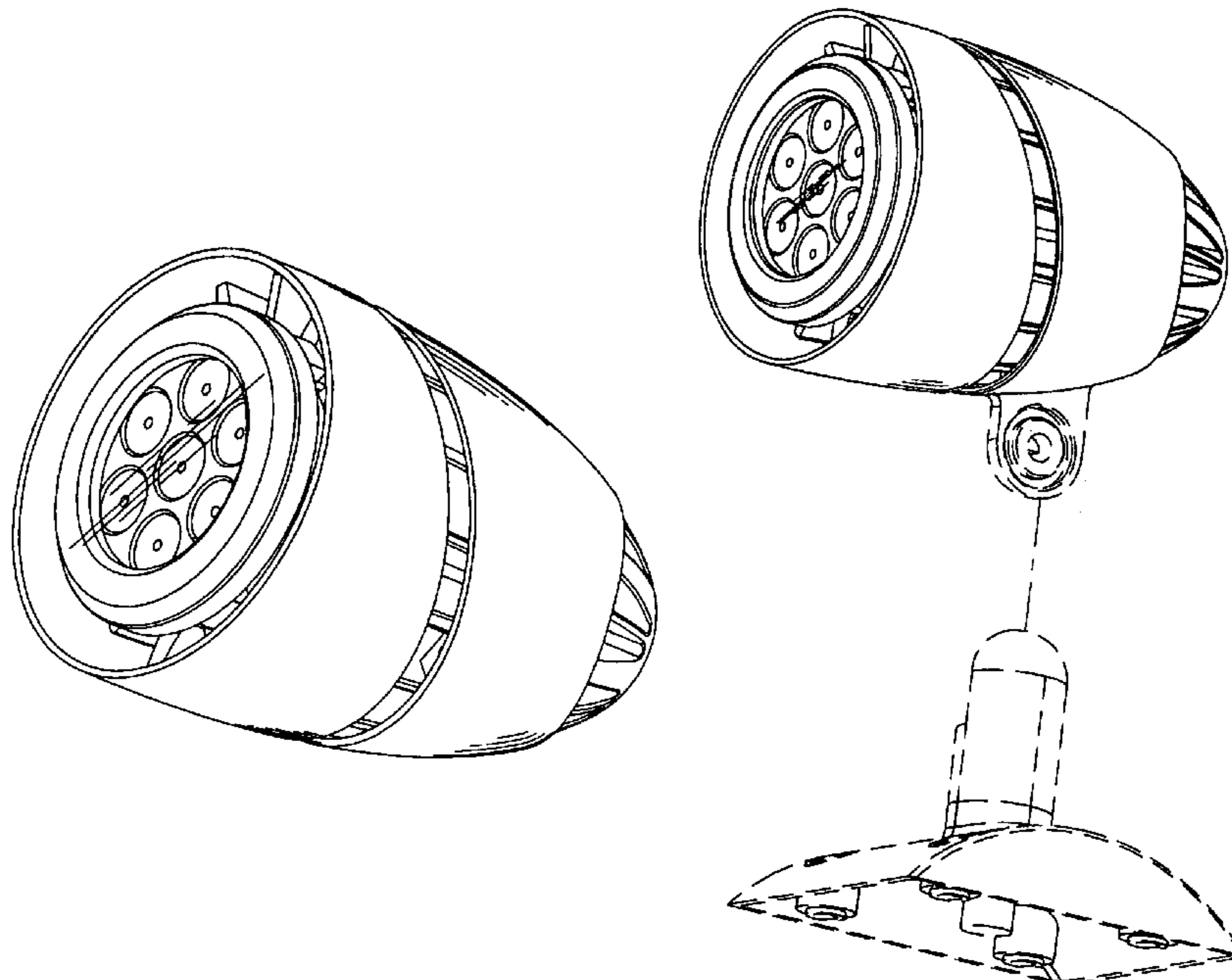
FIG. 8 is a perspective view showing a first additional application, a fixture with a U-shape arm and several necessary accessories are applied to fit to the light emitting diode light projecting assembly to assemble a projecting light capable of being mounted on the ceilings or the walls.

FIG. 9 is a perspective view showing a second additional application, a fixture with a camp nail and several necessary accessories are applied to fit the light emitting diode light projecting assembly to assemble a projecting light capable of being fixed in a camping site or a garden; and,

FIG. 10 is a perspective view showing a third additional application, a fixture with a base, a stand and several necessary accessories are applied to fit the light emitting diode light projecting assembly to assemble a projecting light capable of being put on the desk.

The structure shown in broken lines in the figures is unclaimed.

1 Claim, 10 Drawing Sheets



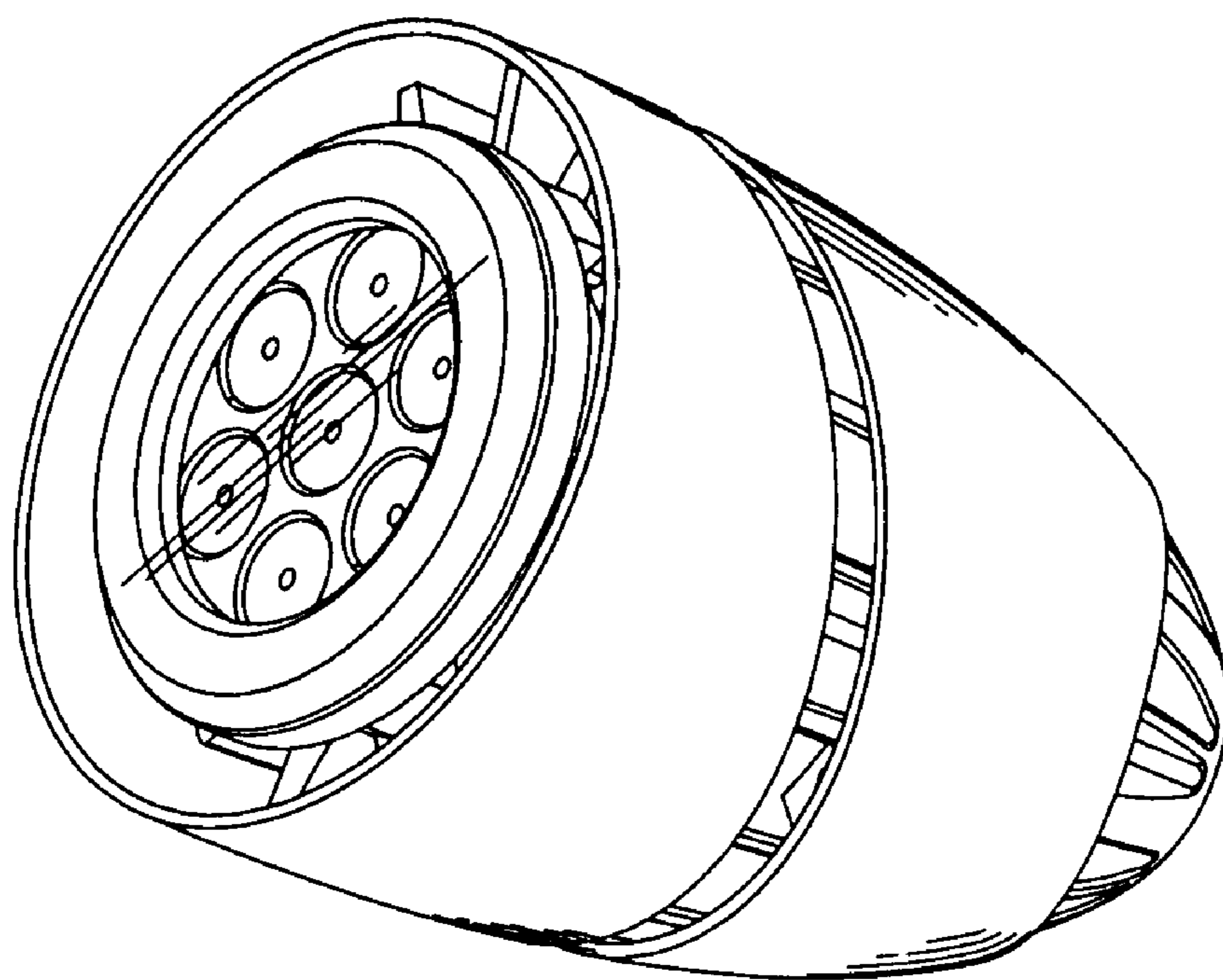


FIG. 1

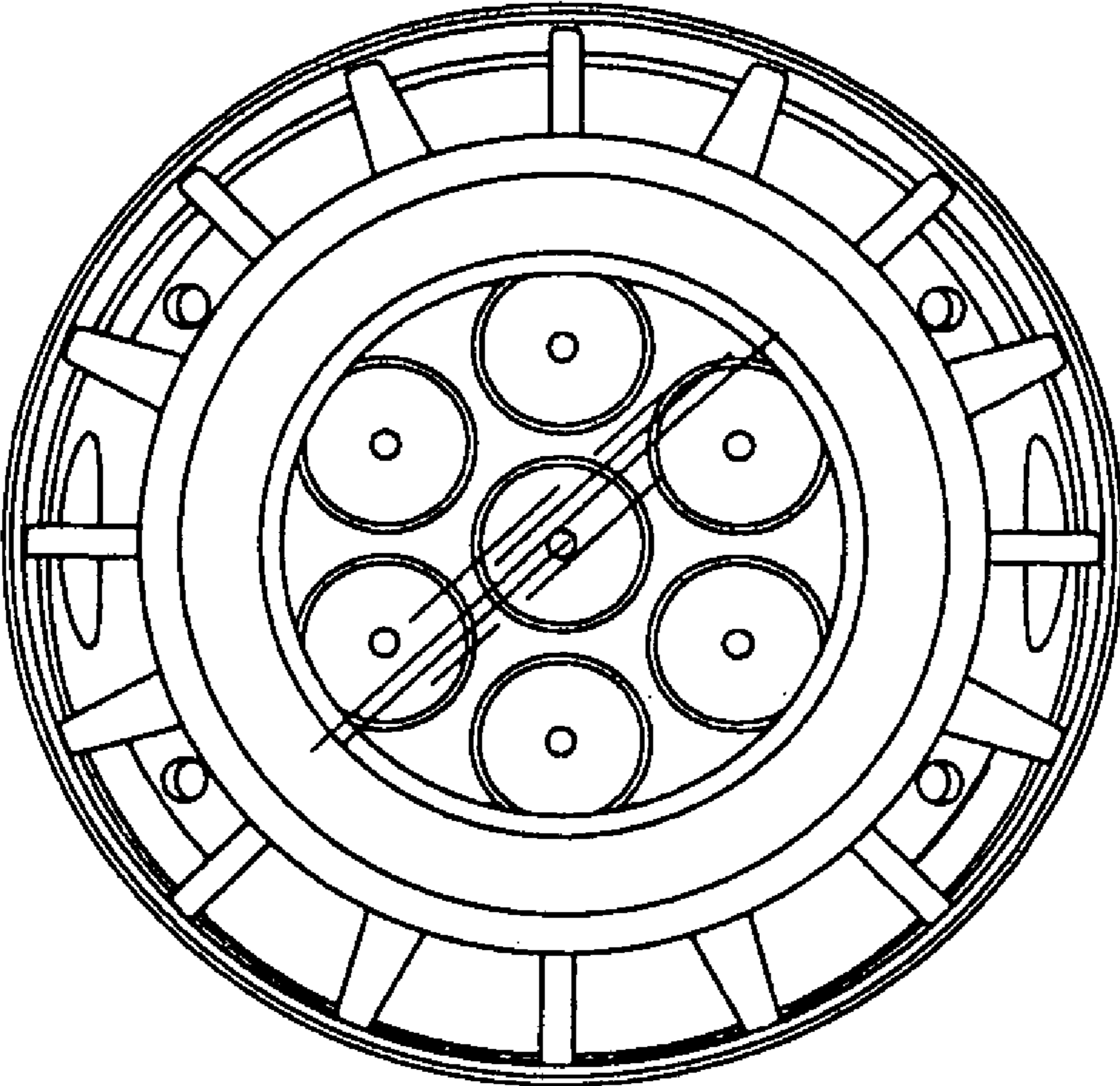


FIG.2

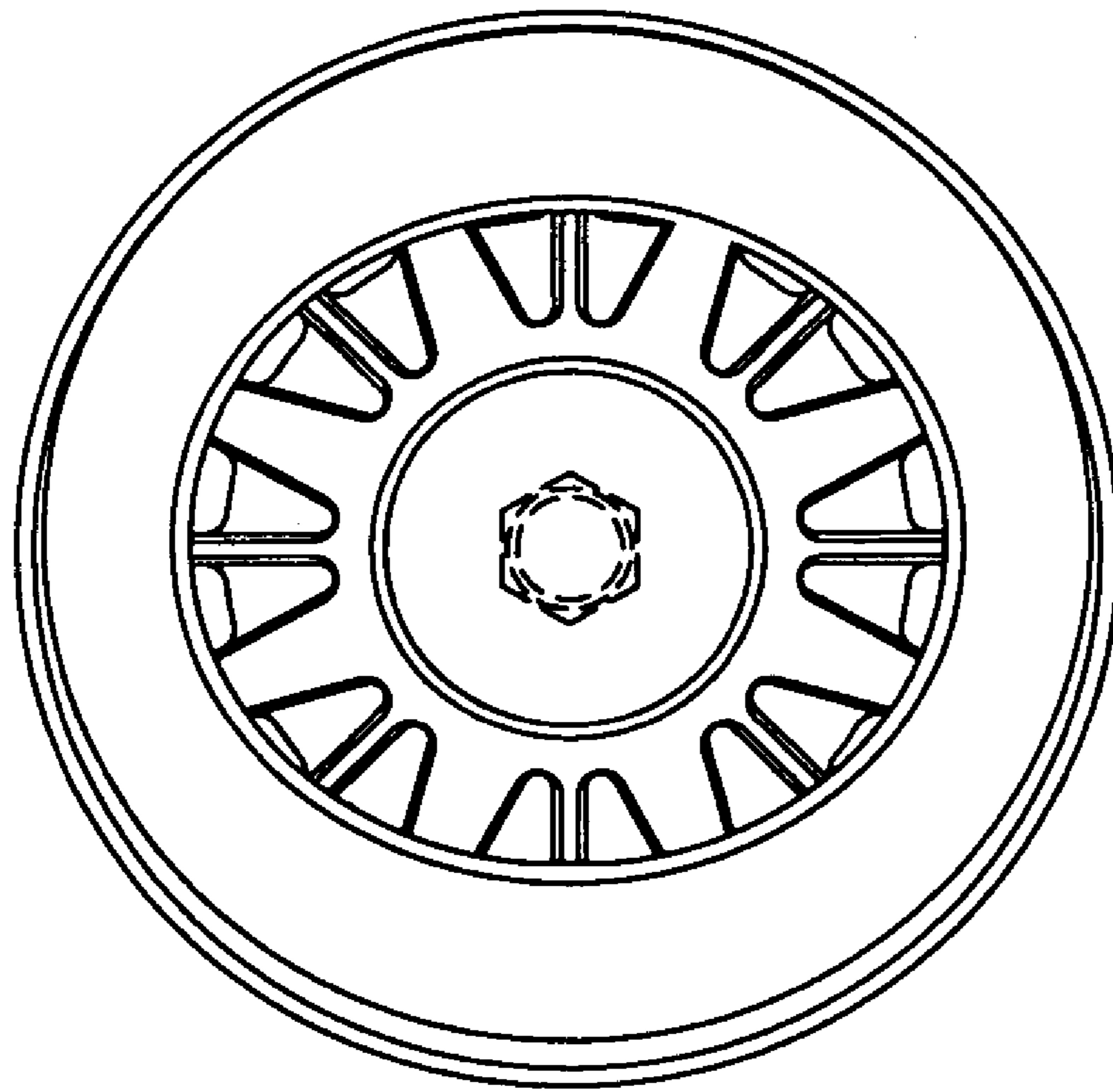


FIG. 3

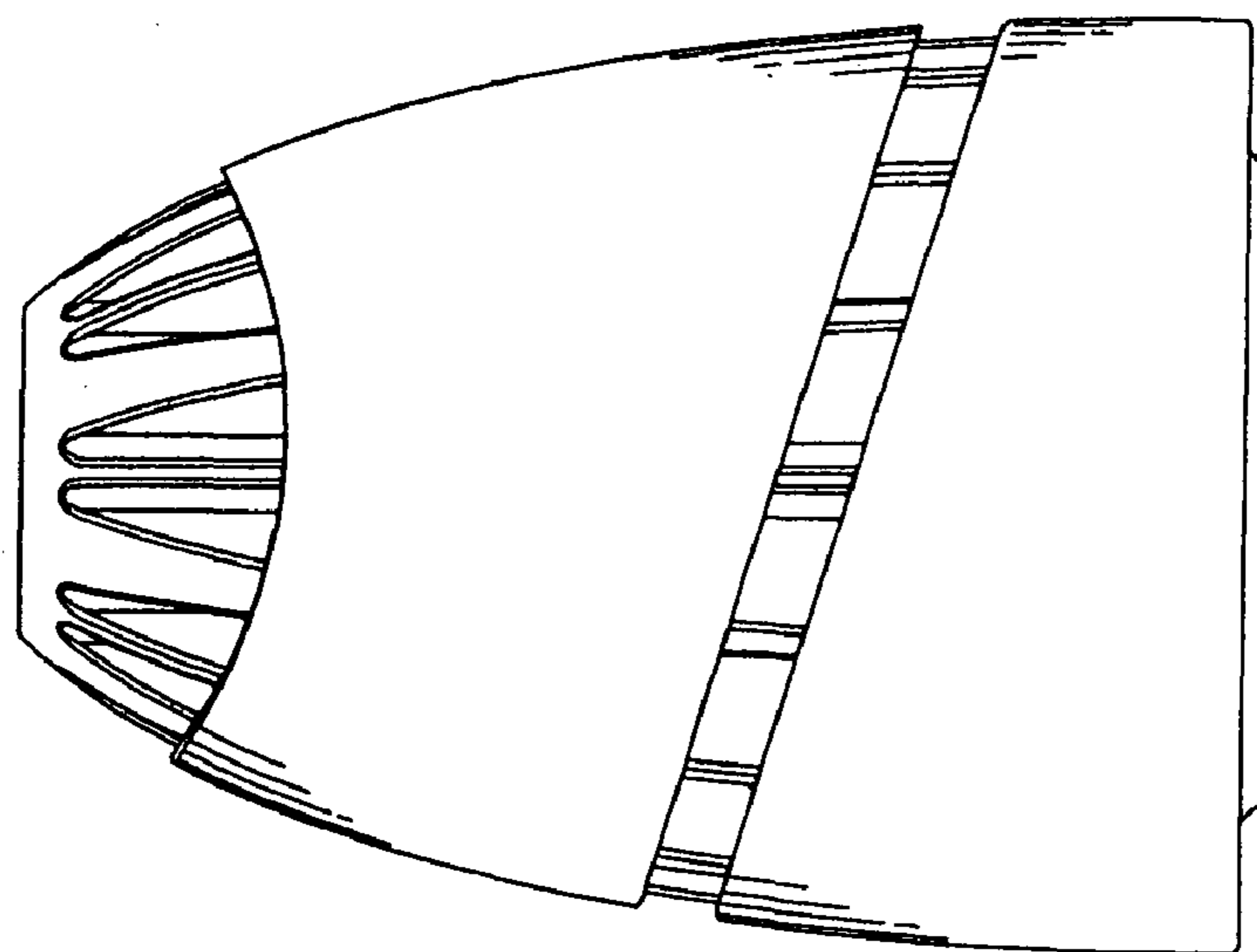


FIG.4

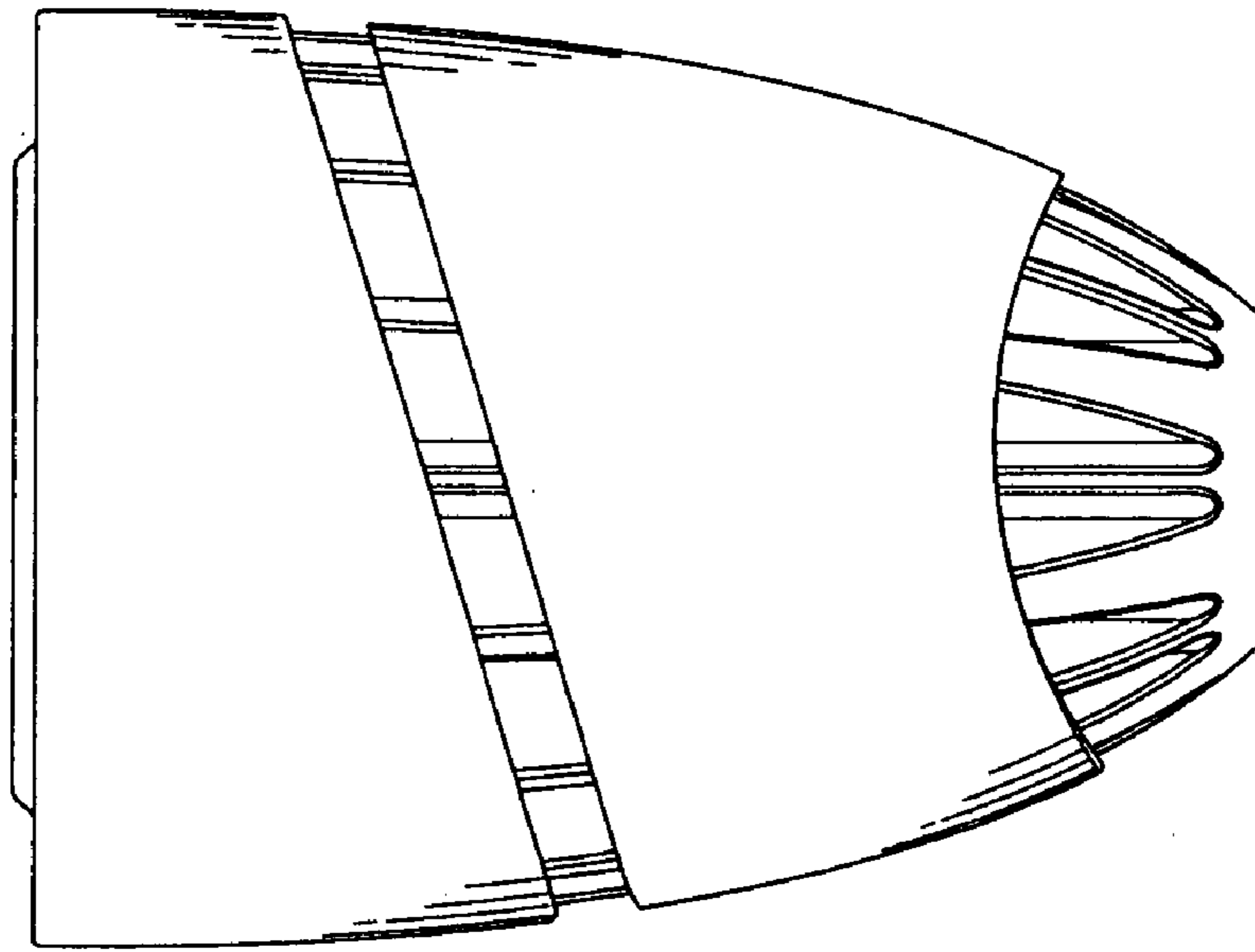


FIG.5

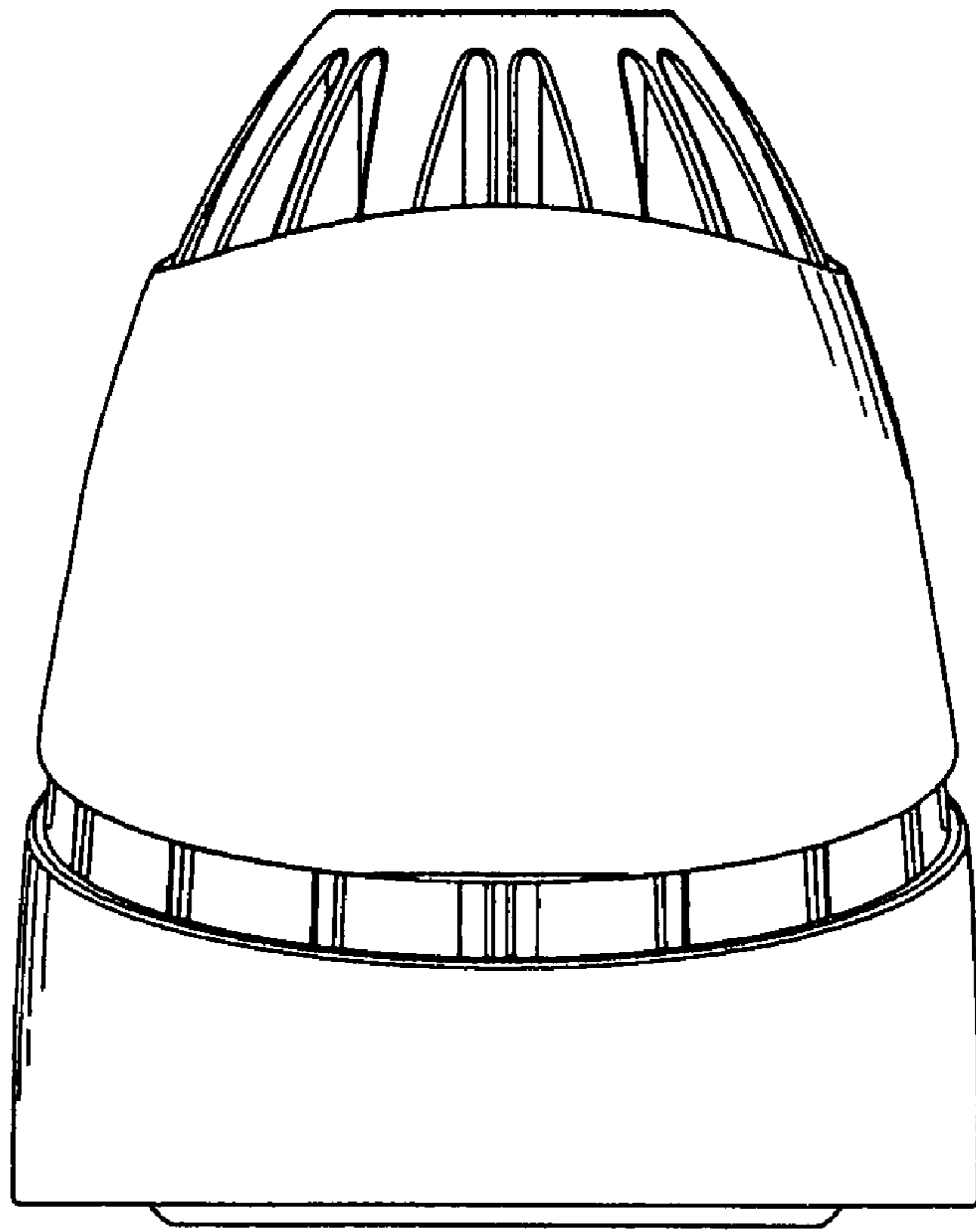


FIG. 6

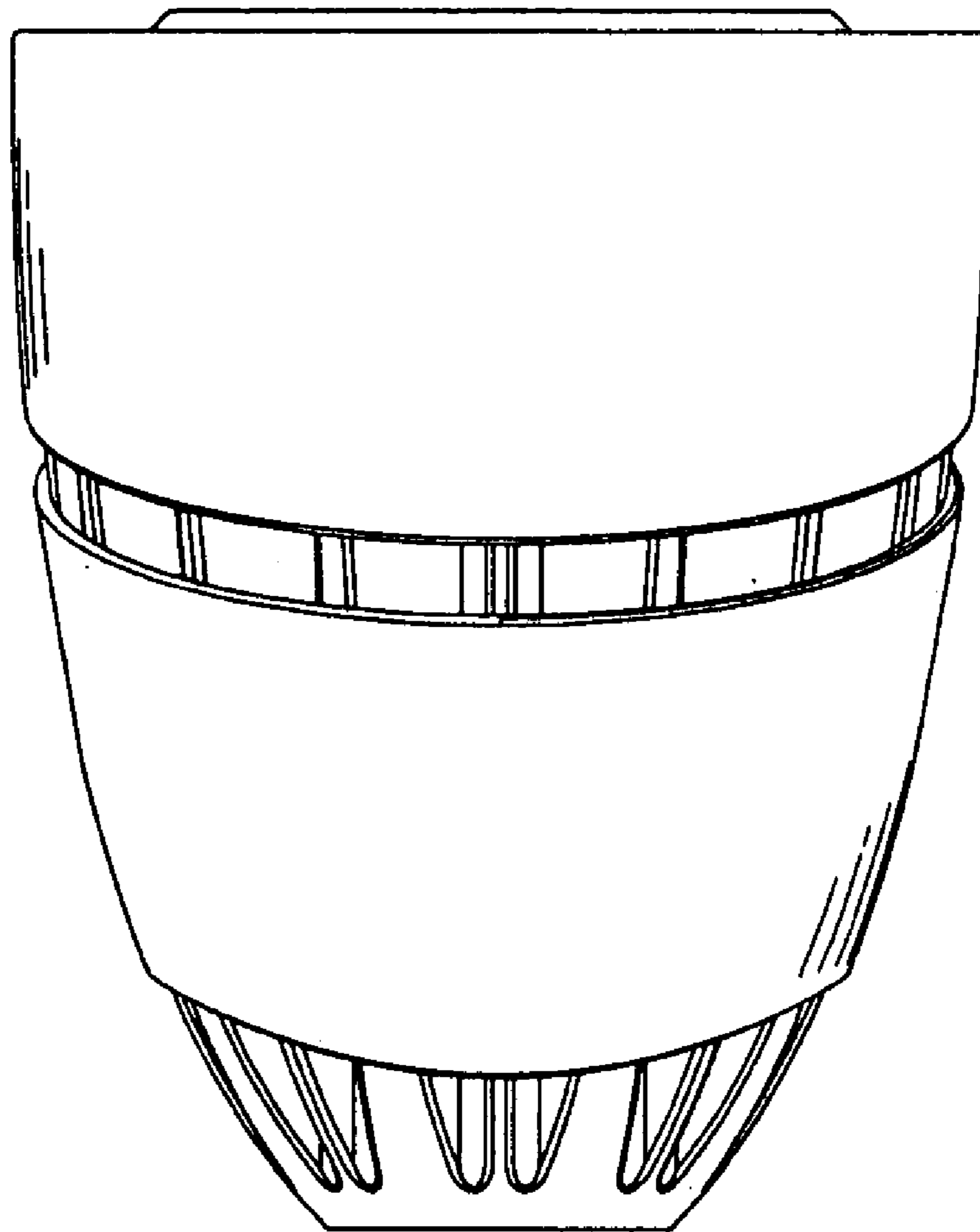


FIG. 7

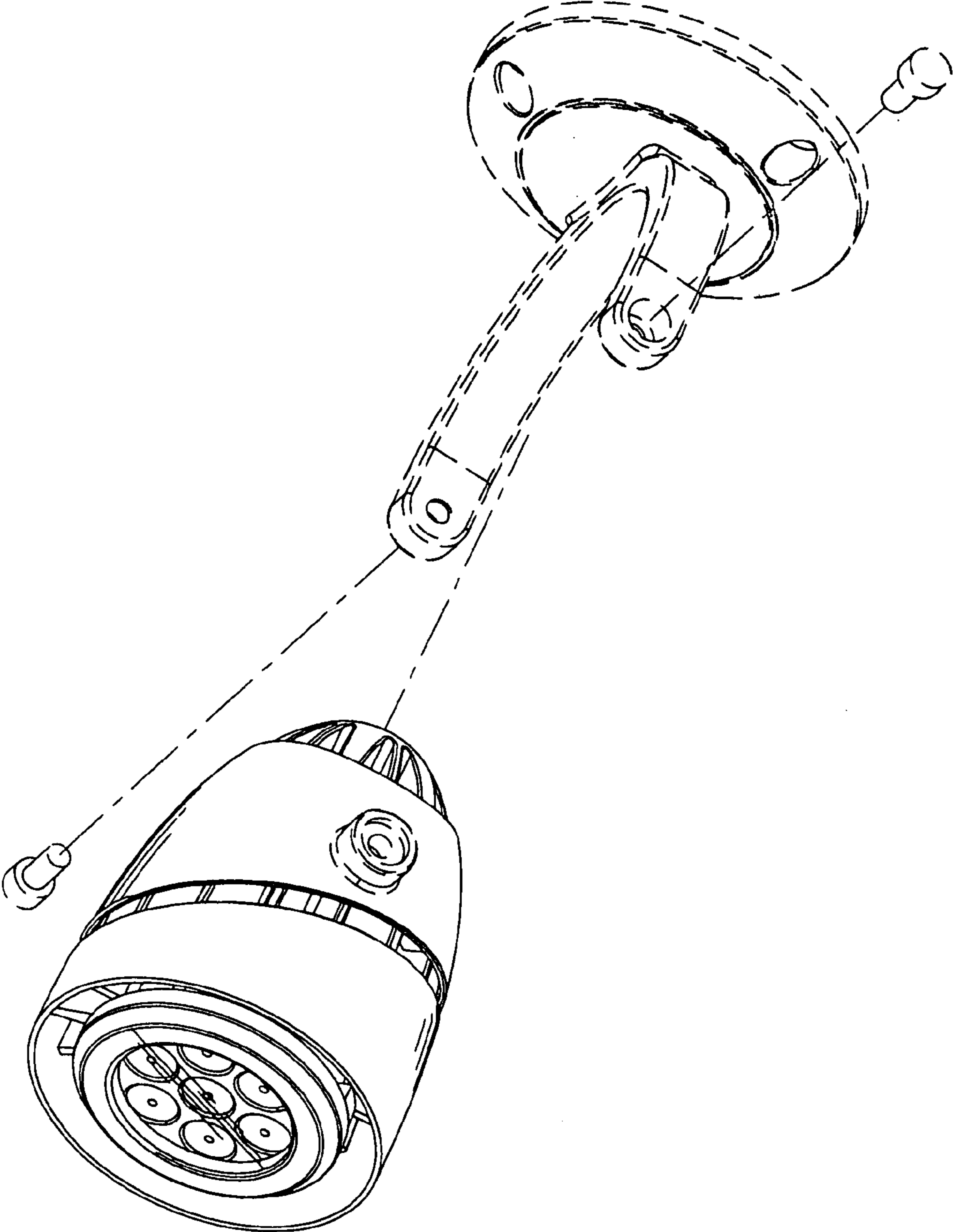


FIG.8

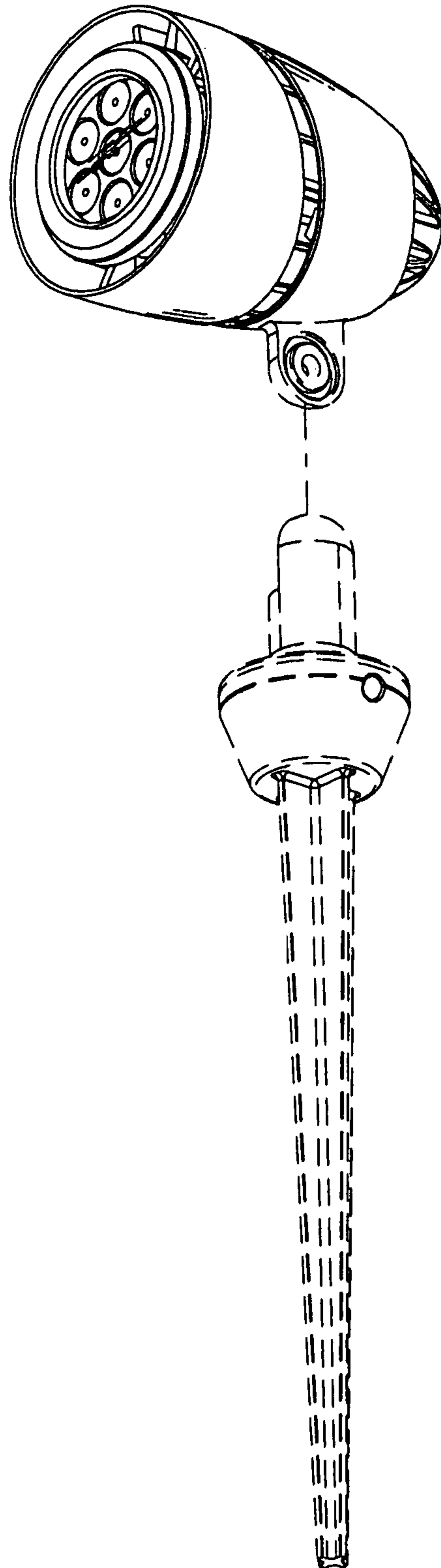


FIG.9

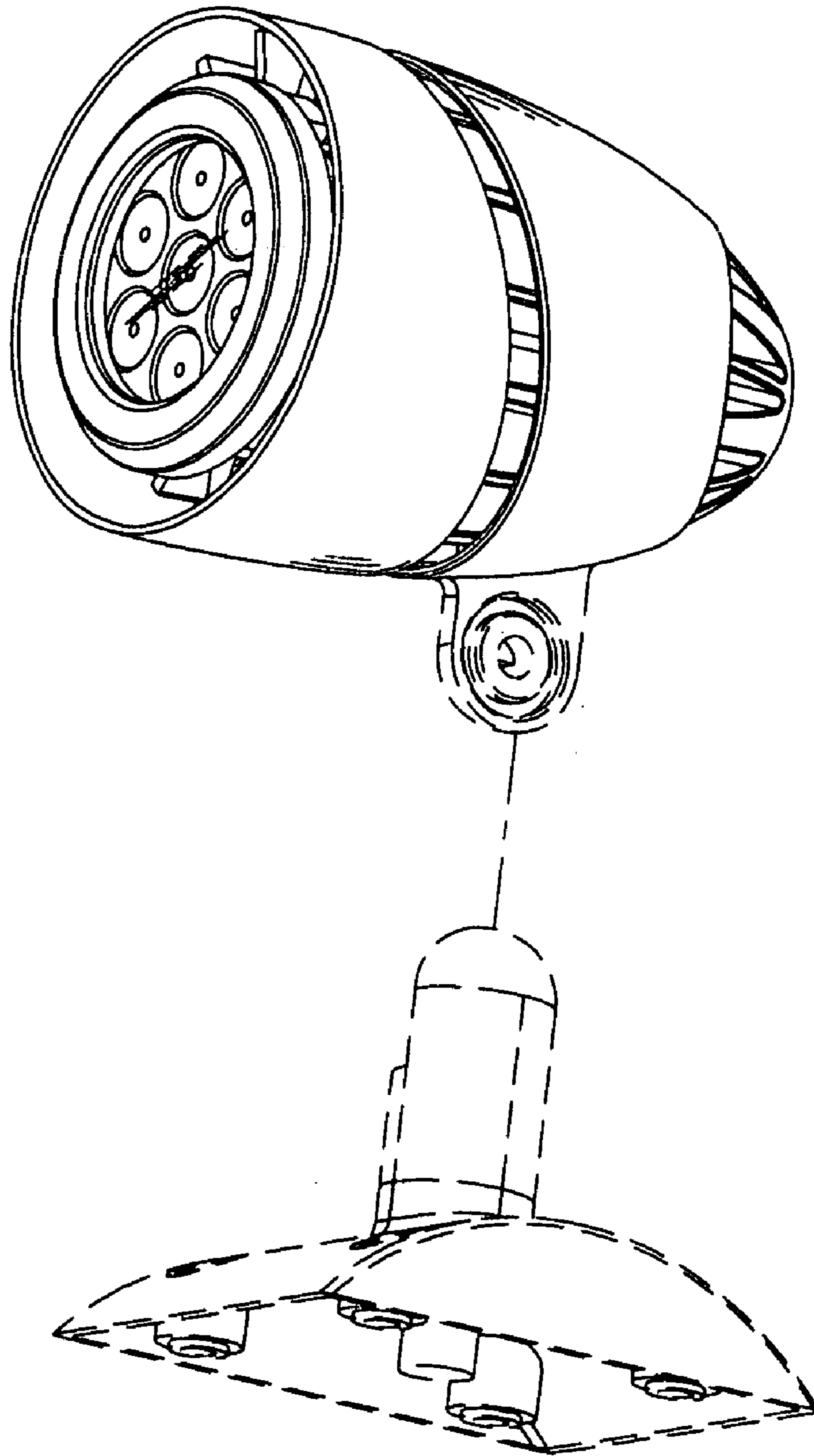


FIG. 10