



US00D625870S

(12) **United States Design Patent**
Feigenbaum

(10) **Patent No.:** **US D625,870 S**

(45) **Date of Patent:** **** Oct. 19, 2010**

(54) **ROTATABLE WALLWASH LIGHTING DEVICE**

(75) **Inventor:** **Marvin Feigenbaum**, New York, NY (US)

(73) **Assignee:** **Acolyte Technologies Corporation**, New York, NY (US)

(**) **Term:** **14 Years**

(21) **Appl. No.:** **29/350,009**

(22) **Filed:** **Nov. 10, 2009**

(51) **LOC (9) Cl.** **26-05**

(52) **U.S. Cl.** **D26/63**

(58) **Field of Classification Search** D26/61-66,
D26/72, 76, 85, 87; 362/269, 271, 272, 282,
362/287, 418, 419, 427, 473, 540, 800
See application file for complete search history.

(56) **References Cited**

U.S. PATENT DOCUMENTS

D291,360 S *	8/1987	De Vos et al.	D26/63
4,860,177 A *	8/1989	Simms	362/473
6,120,162 A	9/2000	Guerrieri		
D439,355 S *	3/2001	Ford	D26/63
D443,093 S *	5/2001	Chiang	D26/65
D446,325 S	8/2001	Guerrieri		
D447,584 S	9/2001	Guerrieri		
D472,339 S *	3/2003	Russello et al.	D26/87
D482,469 S	11/2003	Guerrieri		
6,840,654 B2	1/2005	Guerrieri et al.		

6,848,807 B2	2/2005	Guerrieri		
6,848,808 B2	2/2005	Guerrieri		
6,857,771 B2	2/2005	Guerrieri		
6,900,735 B2	5/2005	Guerrieri et al.		
D573,292 S *	7/2008	Zheng et al.	D26/71
D610,733 S *	2/2010	Chang	D26/71
D616,590 S *	5/2010	Huang et al.	D26/63

OTHER PUBLICATIONS

Acolyte Technologies Corporation, Products Catalog, www.888Acolyte.com.

* cited by examiner

Primary Examiner—Mitchell I Siegel

(74) *Attorney, Agent, or Firm*—Gottlieb, Rackman & Reisman, PC

(57) **CLAIM**

The ornamental design for a rotatable wallwash lighting device, as shown and described.

DESCRIPTION

FIG. 1 is a top, front and left side perspective view of a rotatable wallwash lighting device showing my new design;

FIG. 2 is a top plan view thereof; and

FIG. 3 is a front elevational view thereof;

FIG. 4 is a right side elevational view thereof, the left side elevational view being a mirror image;

FIG. 5 is a rear elevational view thereof; and,

FIG. 6 is a top plan view thereof.

1 Claim, 3 Drawing Sheets

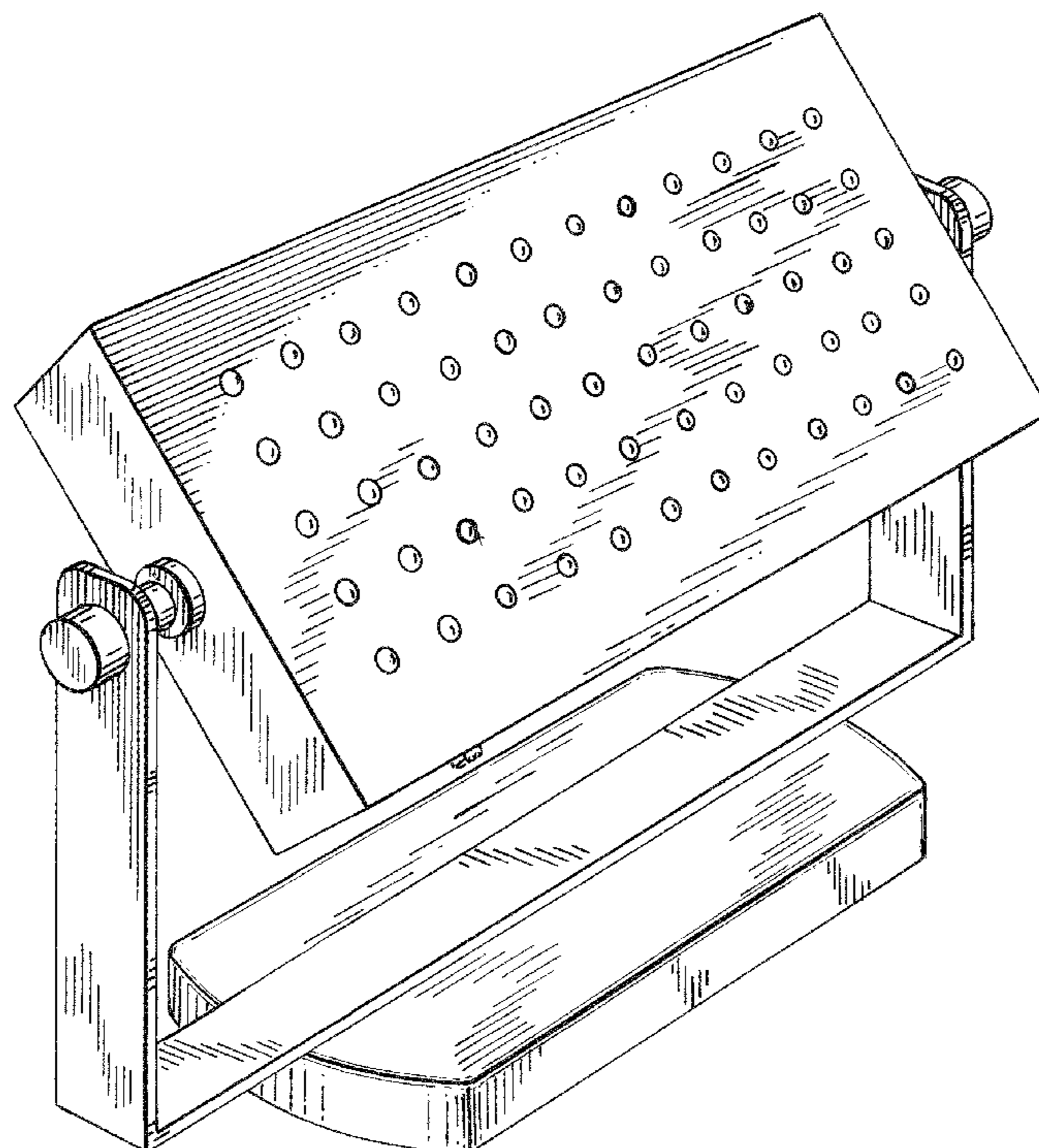


FIG. 1

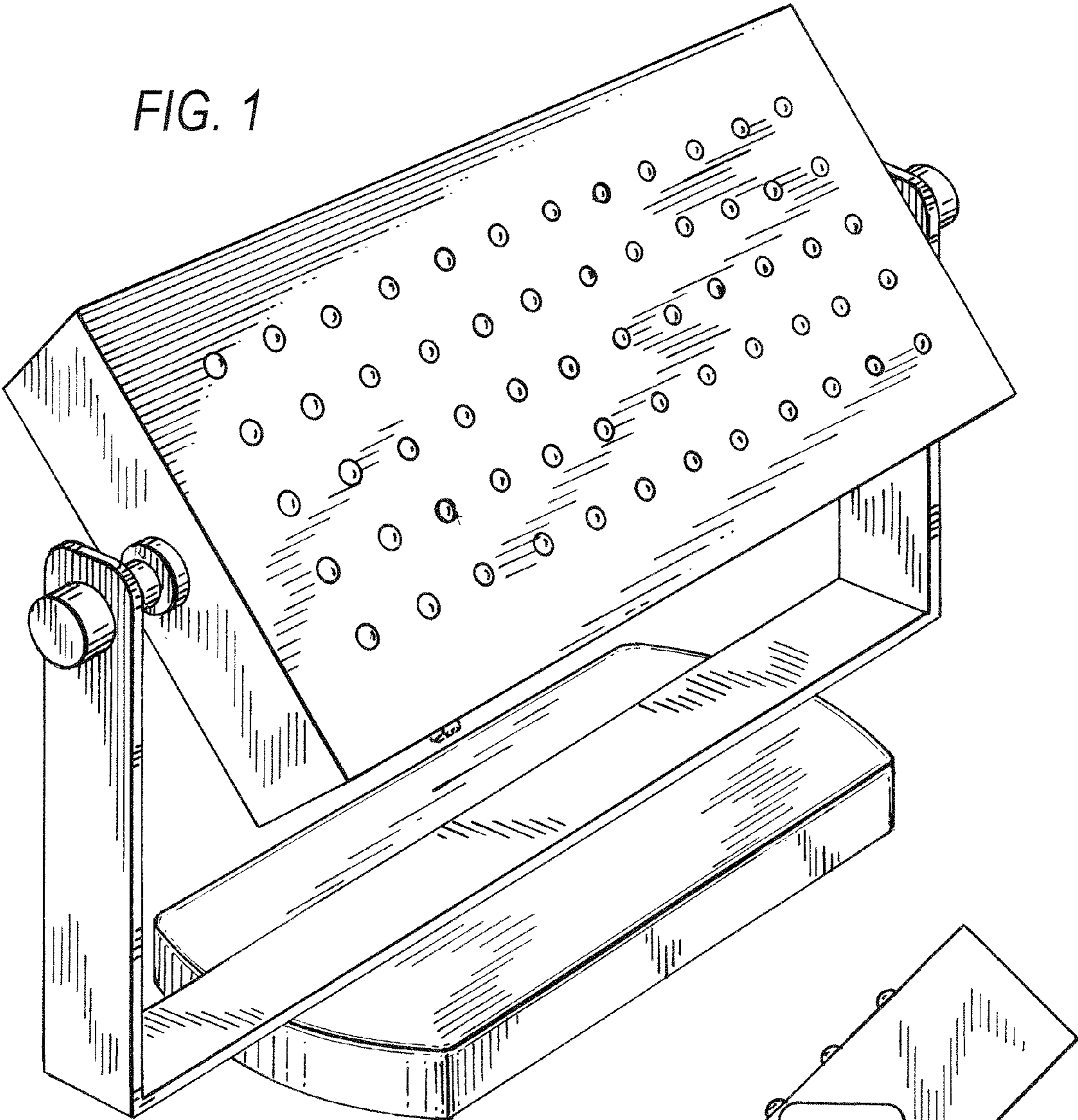


FIG. 4

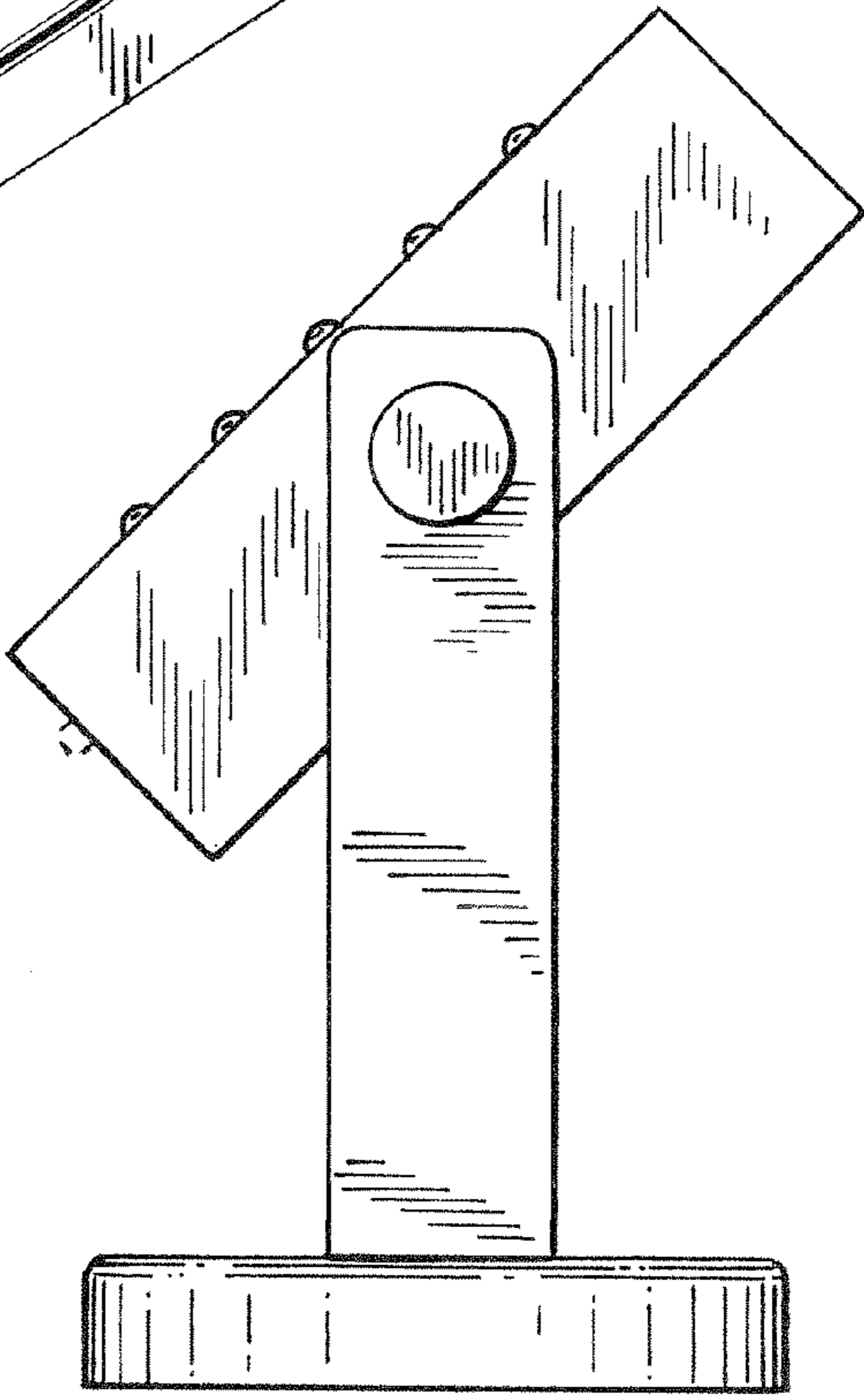


FIG. 2

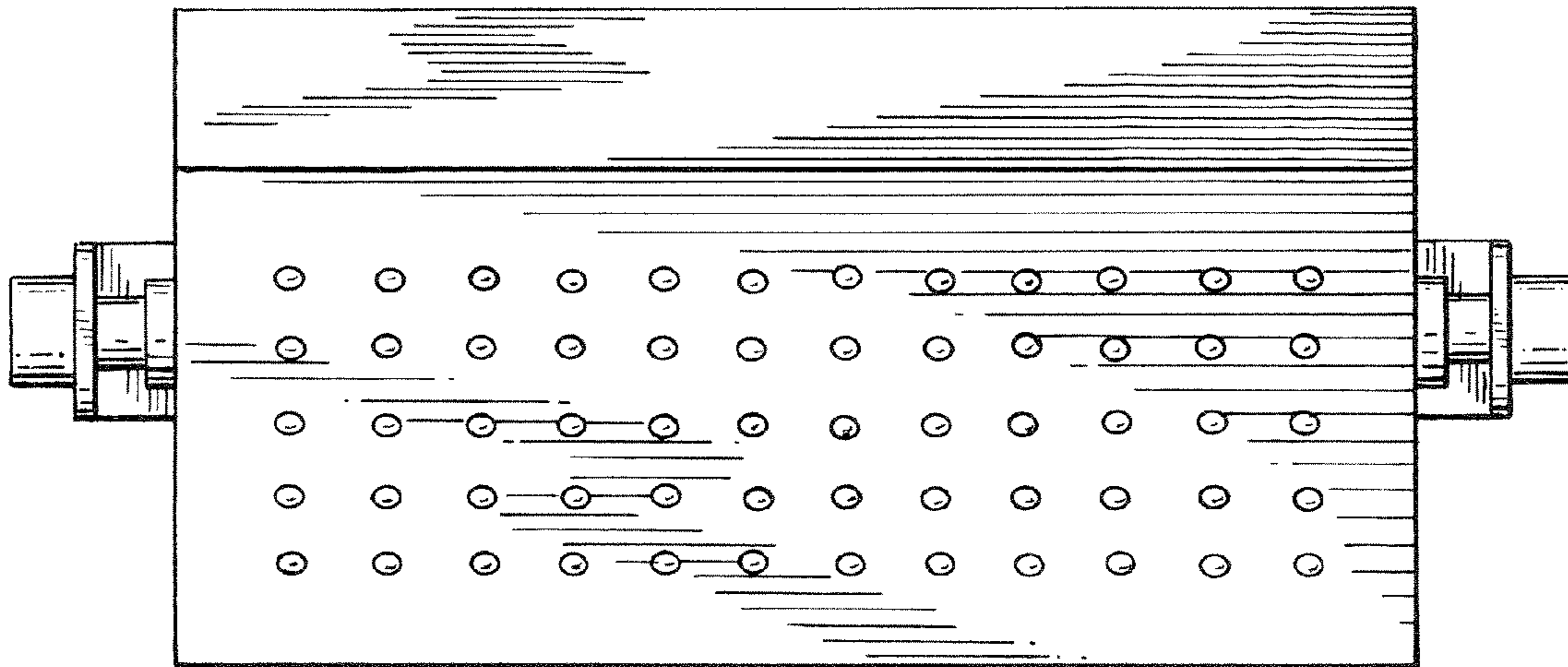


FIG. 3

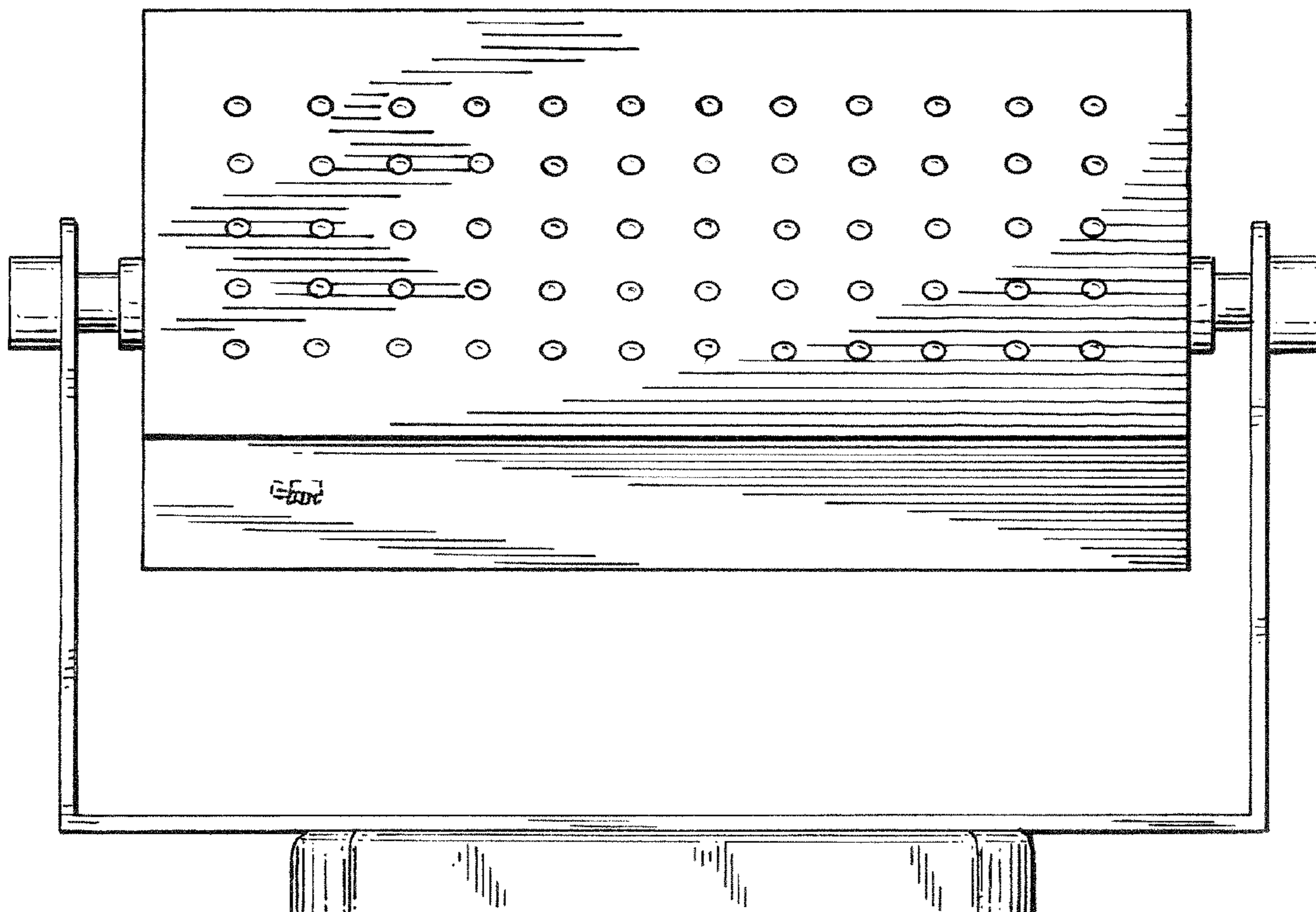


FIG. 5

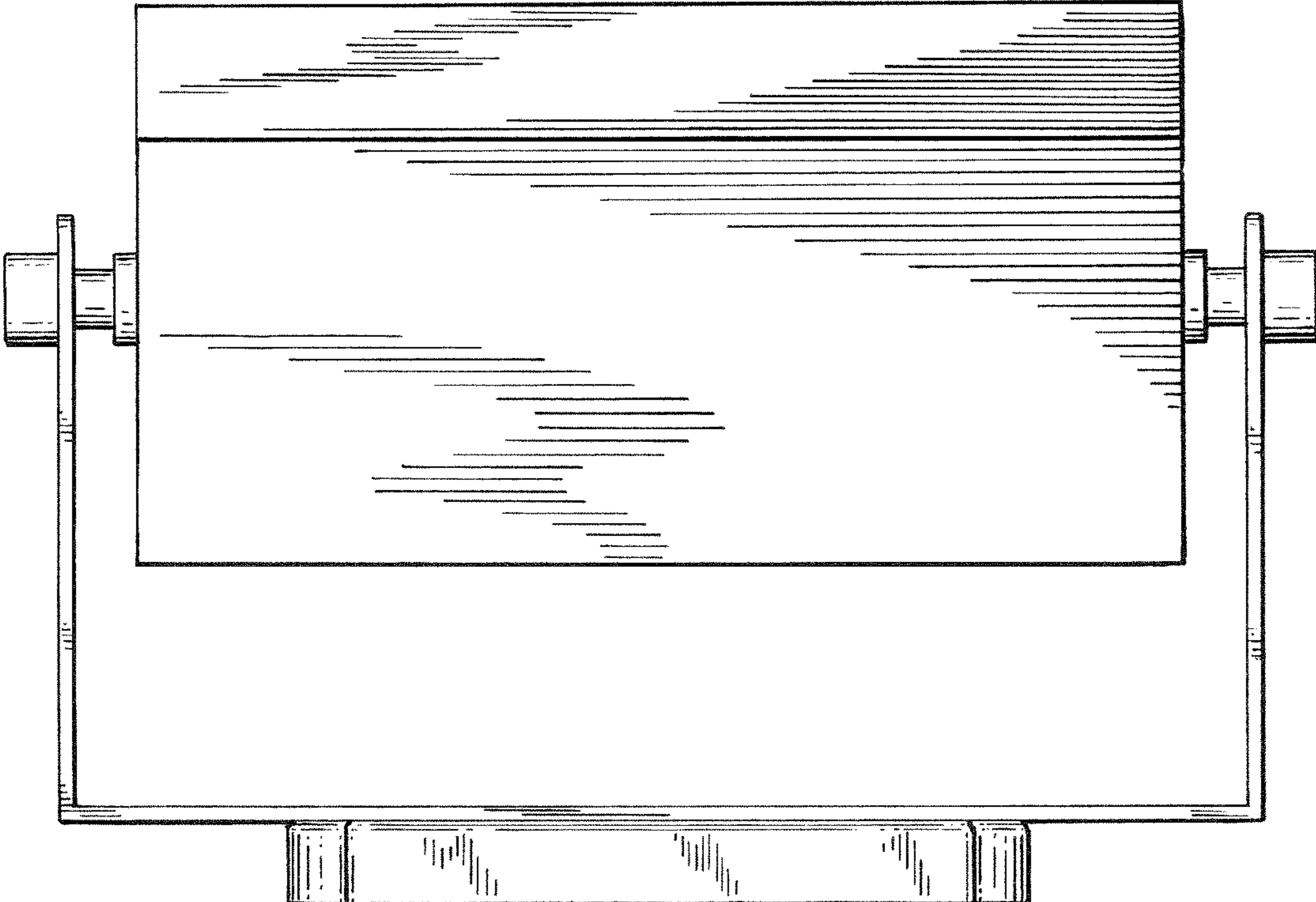


FIG. 6

