



US00D625869S

(12) **United States Design Patent**  
**Rashidi**

(10) **Patent No.:** **US D625,869 S**

(45) **Date of Patent:** **\*\* Oct. 19, 2010**

(54) **TRACK LIGHT FIXTURE**

(76) **Inventor:** **Hamid Rashidi**, 1530 Church Rd.,  
Montebello, CA (US) 90640

(\*\*) **Term:** **14 Years**

(21) **Appl. No.:** **29/316,524**

(22) **Filed:** **Oct. 5, 2009**

(51) **LOC (9) Cl.** ..... **26-05**

(52) **U.S. Cl.** ..... **D26/63**

(58) **Field of Classification Search** ..... D26/61-66,  
D26/71, 72, 51, 56, 107, 118, 128; 362/269-271,  
362/273, 285, 287, 289, 372, 396, 418, 426,  
362/427, 430, 648, 650, 419

See application file for complete search history.

(56) **References Cited**

**U.S. PATENT DOCUMENTS**

|              |        |                     |       |        |
|--------------|--------|---------------------|-------|--------|
| D231,559 S * | 4/1974 | Darling et al.      | ..... | D26/63 |
| D239,967 S * | 5/1976 | Ewing et al.        | ..... | D26/65 |
| D315,418 S * | 3/1991 | Layne               | ..... | D26/63 |
| D315,419 S * | 3/1991 | Layne               | ..... | D26/63 |
| D380,847 S * | 7/1997 | Mier-Langner et al. | ..... | D26/63 |
| D389,260 S * | 1/1998 | Mier-Langner et al. | ..... | D26/63 |
| D413,176 S * | 8/1999 | Mier-Langner        | ..... | D26/63 |
| D538,959 S * | 3/2007 | Kosche              | ..... | D26/63 |

|                |         |                     |       |         |
|----------------|---------|---------------------|-------|---------|
| D541,456 S *   | 4/2007  | Kosche              | ..... | D26/63  |
| D541,458 S *   | 4/2007  | Benghozi            | ..... | D26/63  |
| D567,979 S *   | 4/2008  | Starck              | ..... | D26/63  |
| 7,488,092 B2 * | 2/2009  | Mier-Langner et al. | ..... | 362/285 |
| D589,189 S *   | 3/2009  | Sabernig            | ..... | D26/63  |
| D602,623 S *   | 10/2009 | Kay                 | ..... | D26/65  |
| D611,637 S *   | 3/2010  | Sabernig            | ..... | D26/63  |

\* cited by examiner

*Primary Examiner*—Mitchell I Siegel

(74) *Attorney, Agent, or Firm*—Thomas I. Rozsa

(57) **CLAIM**

The ornamental design for a track light fixture, as shown and described.

**DESCRIPTION**

FIG. 1 is a side perspective view of a preferred embodiment of the track light fixture showing my design.

FIG. 2 is a right side view;

FIG. 3 is a left side view;

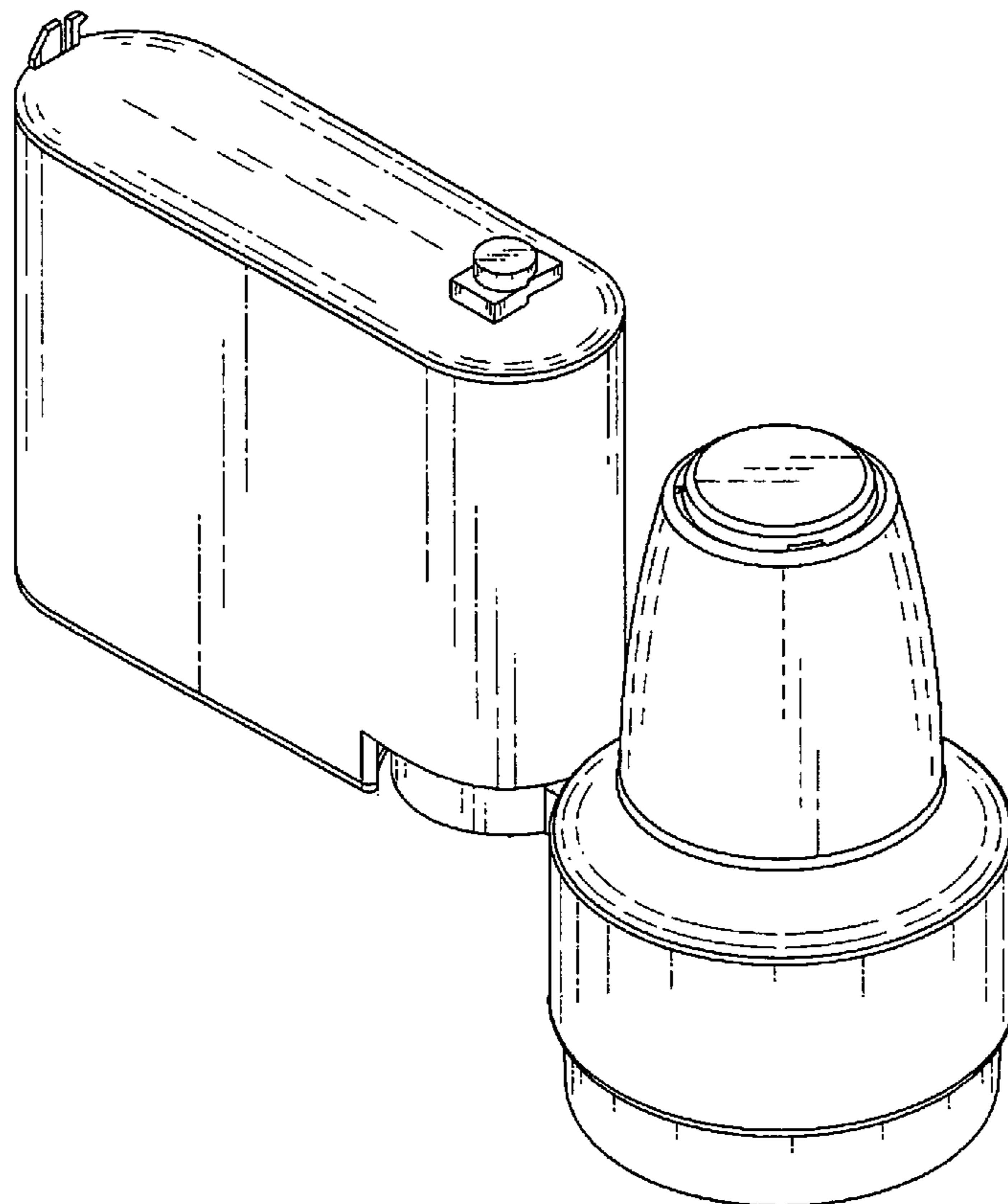
FIG. 4 is a front view;

FIG. 5 is a rear view;

FIG. 6 is a top view; and,

FIG. 7 is a bottom view.

**1 Claim, 7 Drawing Sheets**



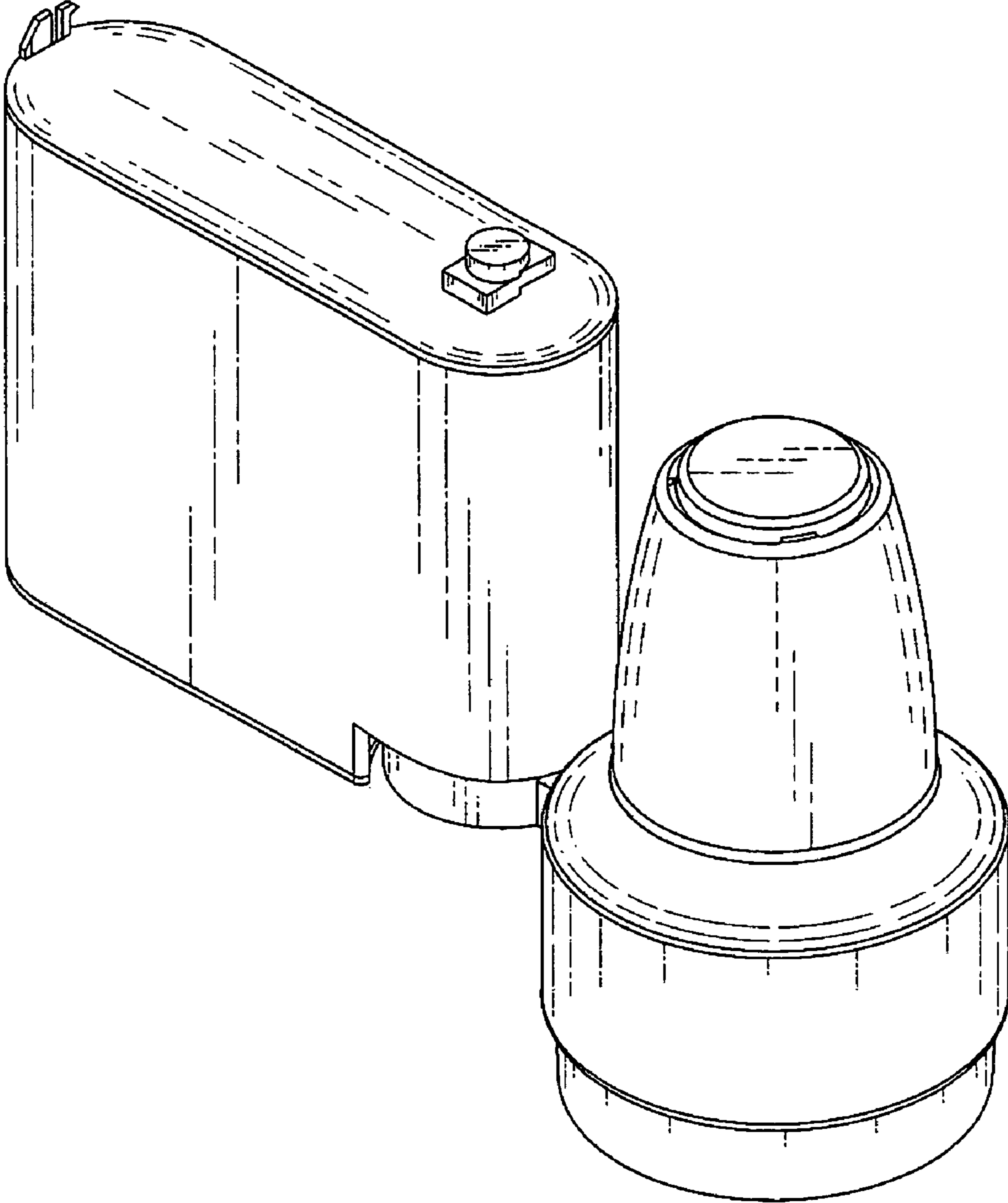


FIG. 1

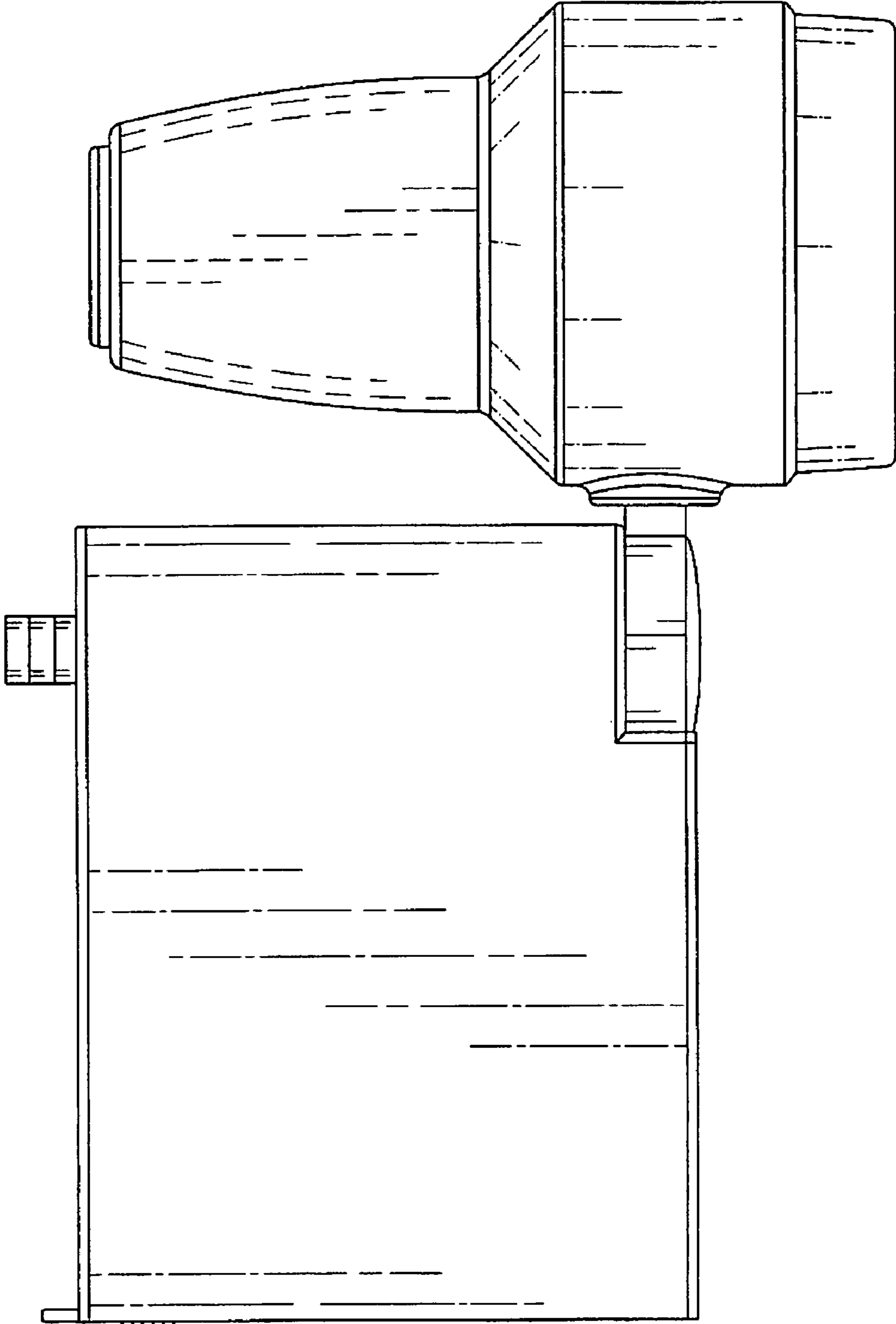


FIG. 2

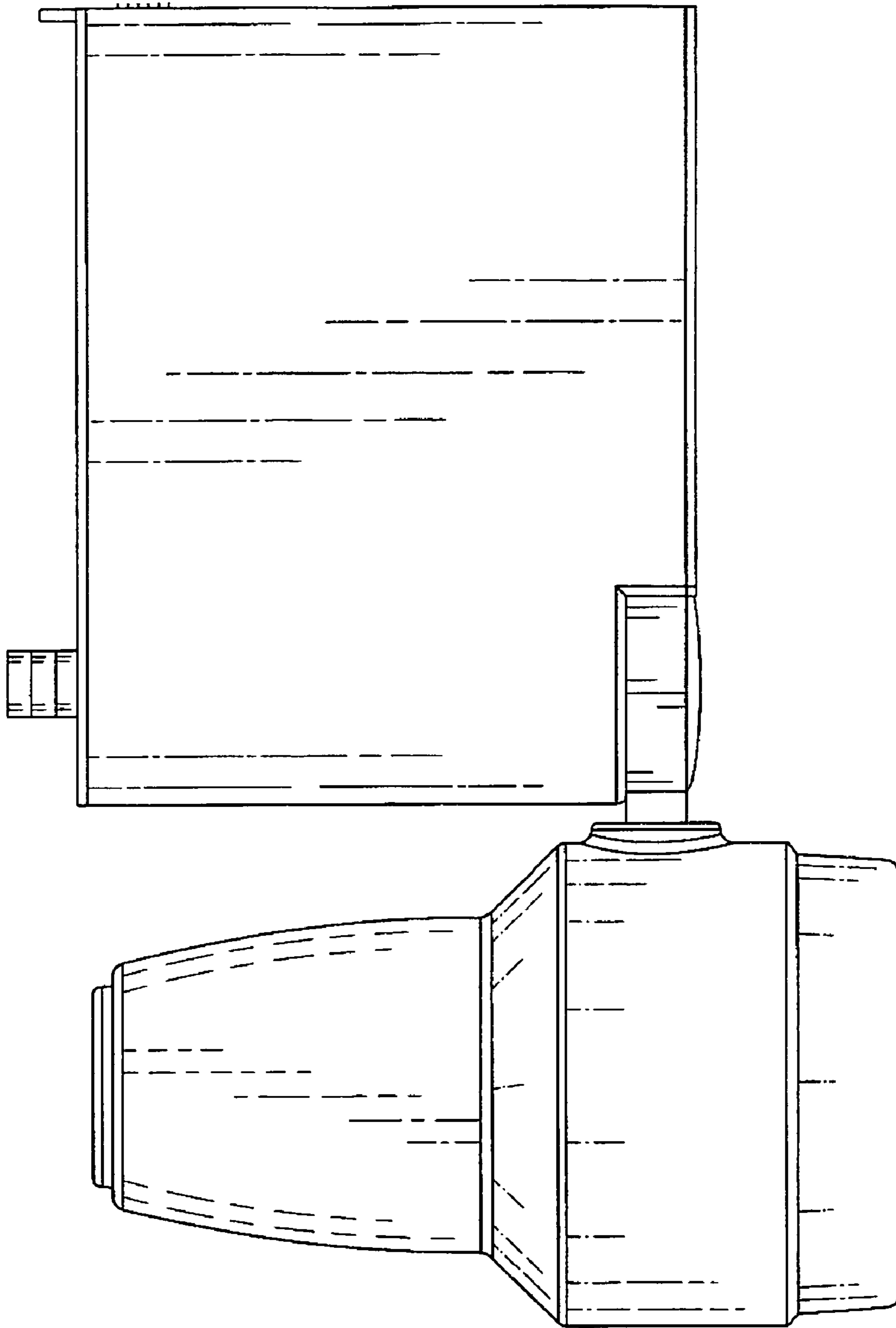


FIG. 3

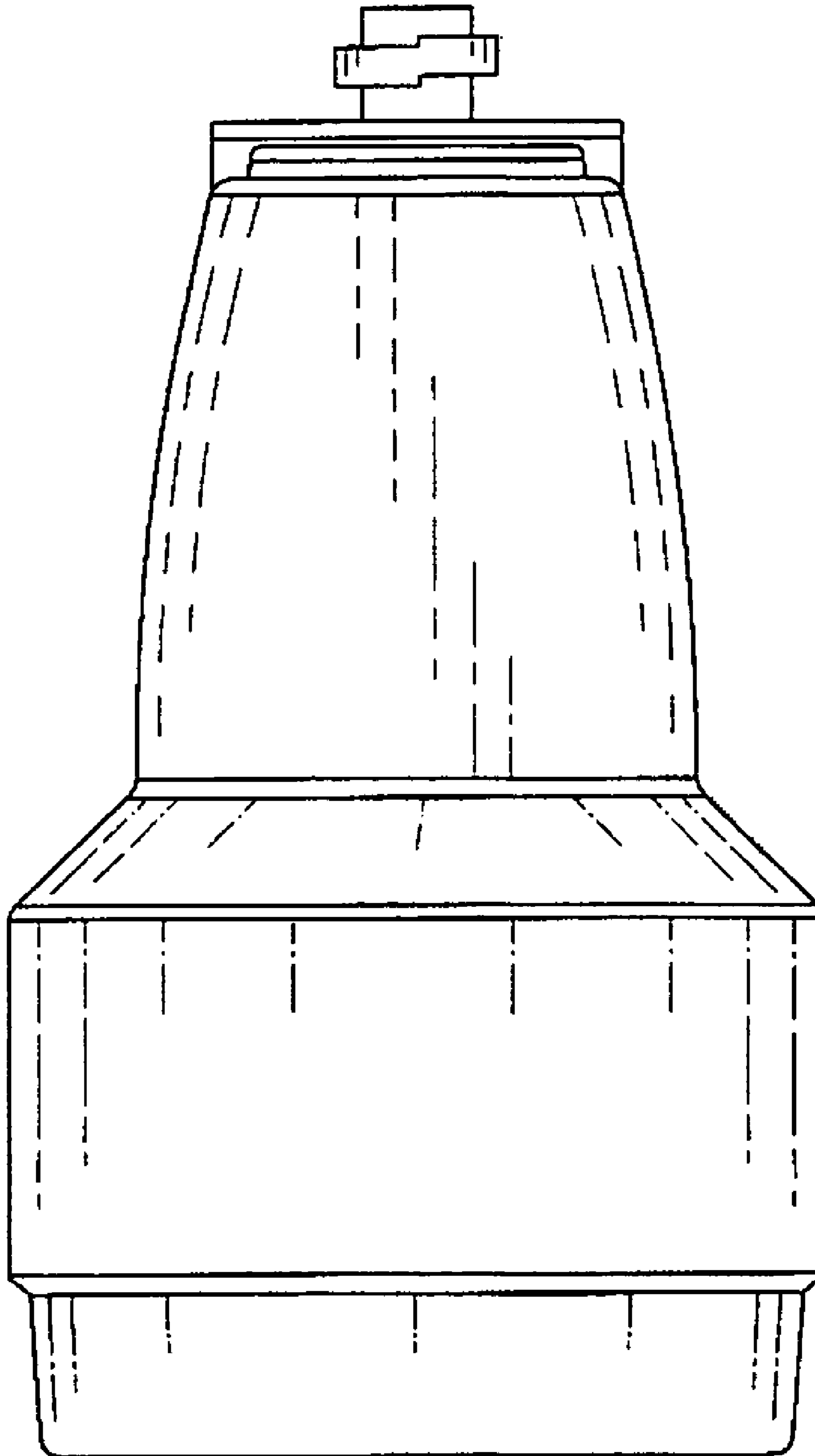


FIG. 4

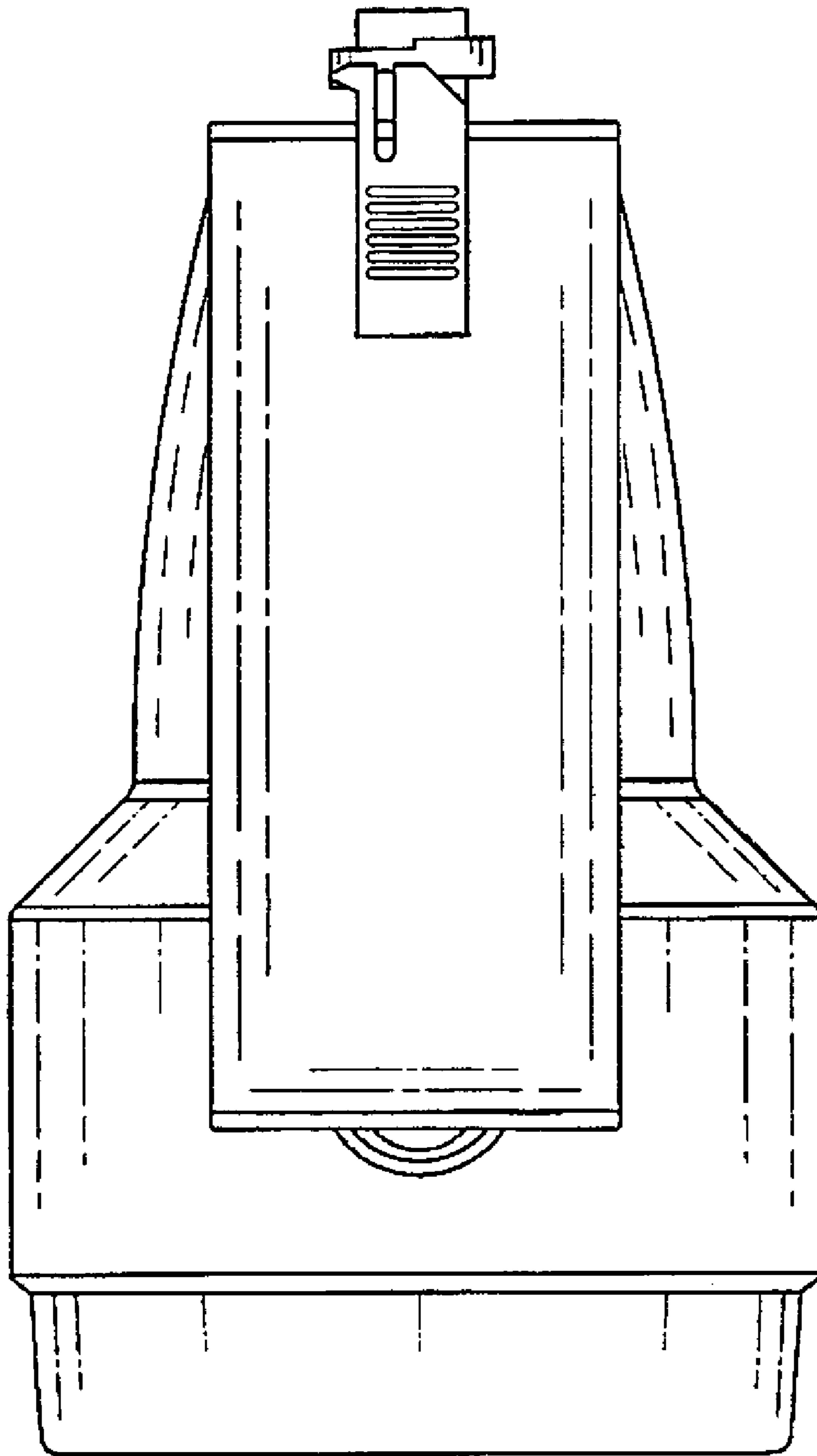


FIG. 5

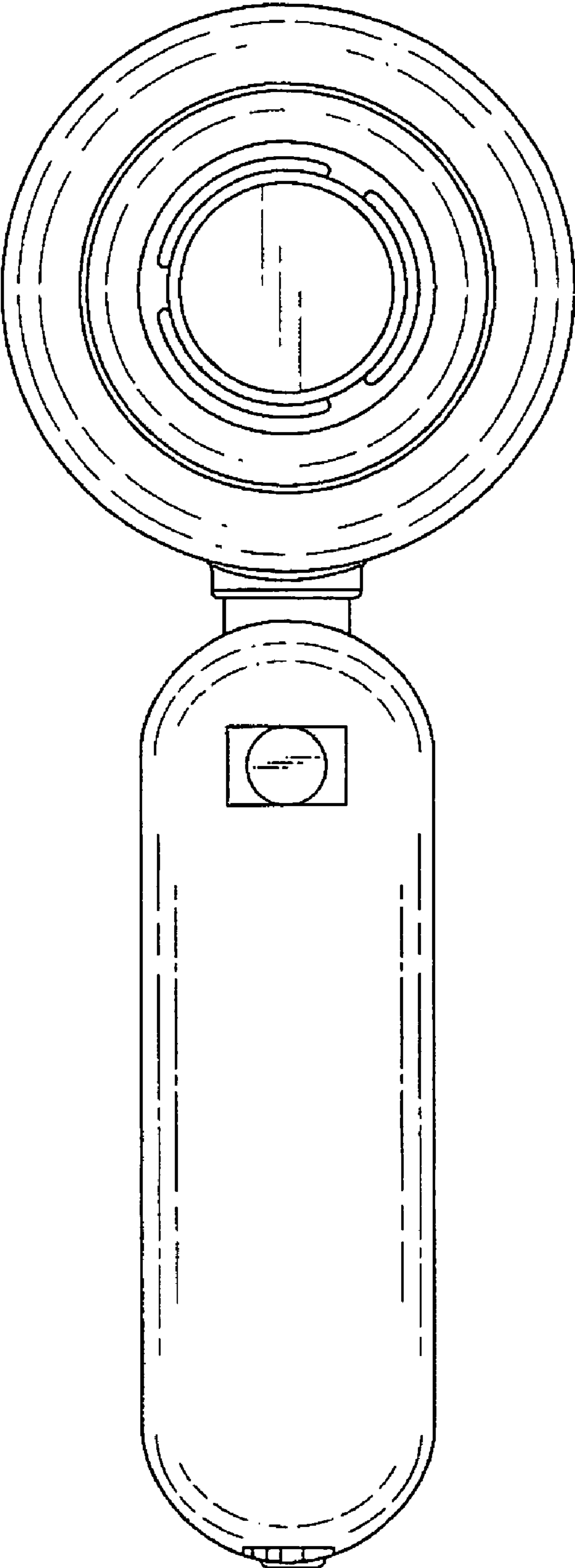


FIG. 6

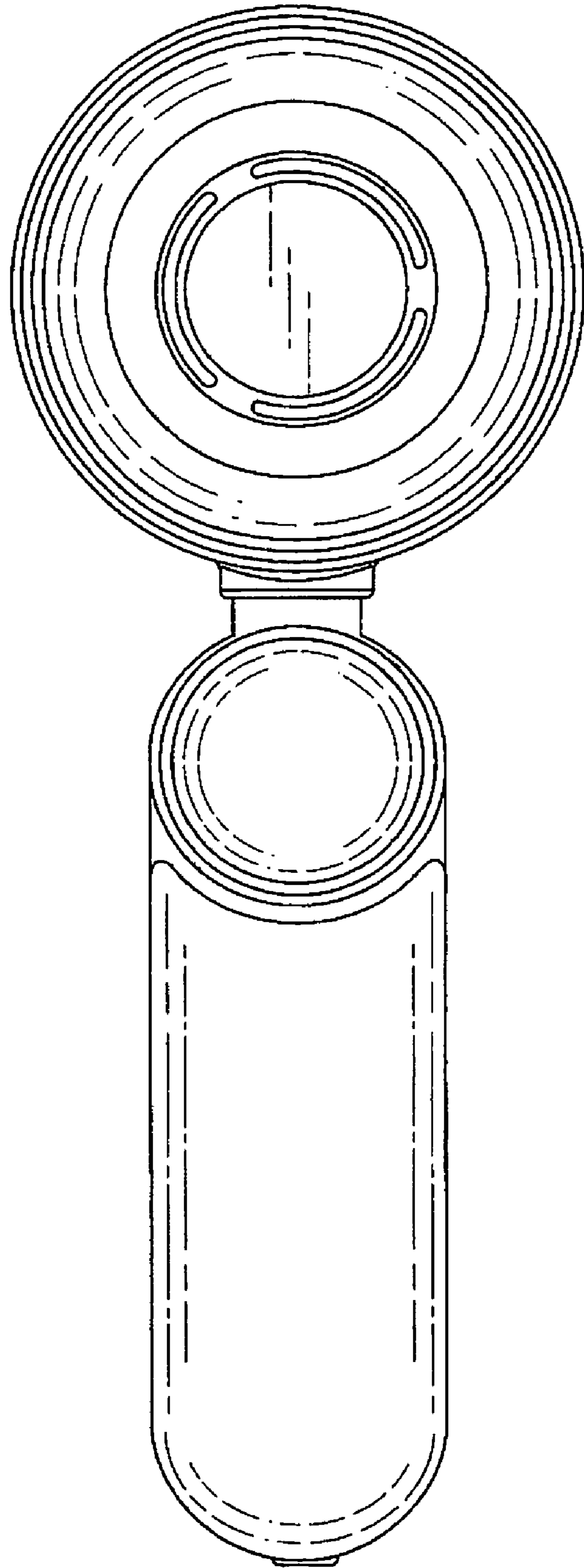


FIG. 7