



US00D625868S

(12) **United States Design Patent**
Rashidi

(10) **Patent No.:** **US D625,868 S**
(45) **Date of Patent:** **** Oct. 19, 2010**

(54) **TRACK LIGHT FIXTURE**

(76) Inventor: **Hamid Rashidi**, 1530 Church Rd.,
Montebello, CA (US) 90640

(**) Term: **14 Years**

(21) Appl. No.: **29/316,512**

(22) Filed: **Oct. 5, 2009**

(51) **LOC (9) Cl.** **26-05**

(52) **U.S. Cl.** **D26/63**

(58) **Field of Classification Search** D26/61-66,
D26/71, 72, 51, 56, 107, 118, 128; 362/269-271,
362/273, 285, 287, 289, 372, 396, 418, 426,
362/427, 430, 648, 650, 419

See application file for complete search history.

(56) **References Cited**

U.S. PATENT DOCUMENTS

- D231,559 S * 4/1974 Darling et al. D26/63
- D239,967 S * 5/1976 Ewing et al. 26/65
- D315,418 S * 3/1991 Layne D26/63
- D315,419 S * 3/1991 Layne D26/63
- D380,847 S * 7/1997 Mier-Langner et al. D26/63
- D389,260 S * 1/1998 Mier-Langner et al. D26/63
- D413,176 S * 8/1999 Mier-Langner D26/63
- D538,959 S * 3/2007 Kosche D26/63

- D541,456 S * 4/2007 Kosche D26/63
- D541,458 S * 4/2007 Benghozi D26/63
- D567,979 S * 4/2008 Starck D26/63
- 7,488,092 B2 * 2/2009 Mier-Langner et al. 362/285
- D589,189 S * 3/2009 Sabernig D26/63
- D602,623 S * 10/2009 Kay D26/65
- D611,637 S * 3/2010 Sabernig D26/63

* cited by examiner

Primary Examiner—Mitchell I Siegel

(74) *Attorney, Agent, or Firm*—Thomas I. Rozsa

(57) **CLAIM**

The ornamental design for a track light fixture, as shown and described.

DESCRIPTION

FIG. 1 is a side perspective view of a preferred embodiment of the track light fixture, showing my design.

FIG. 2 is a right side view;

FIG. 3 is a left side view;

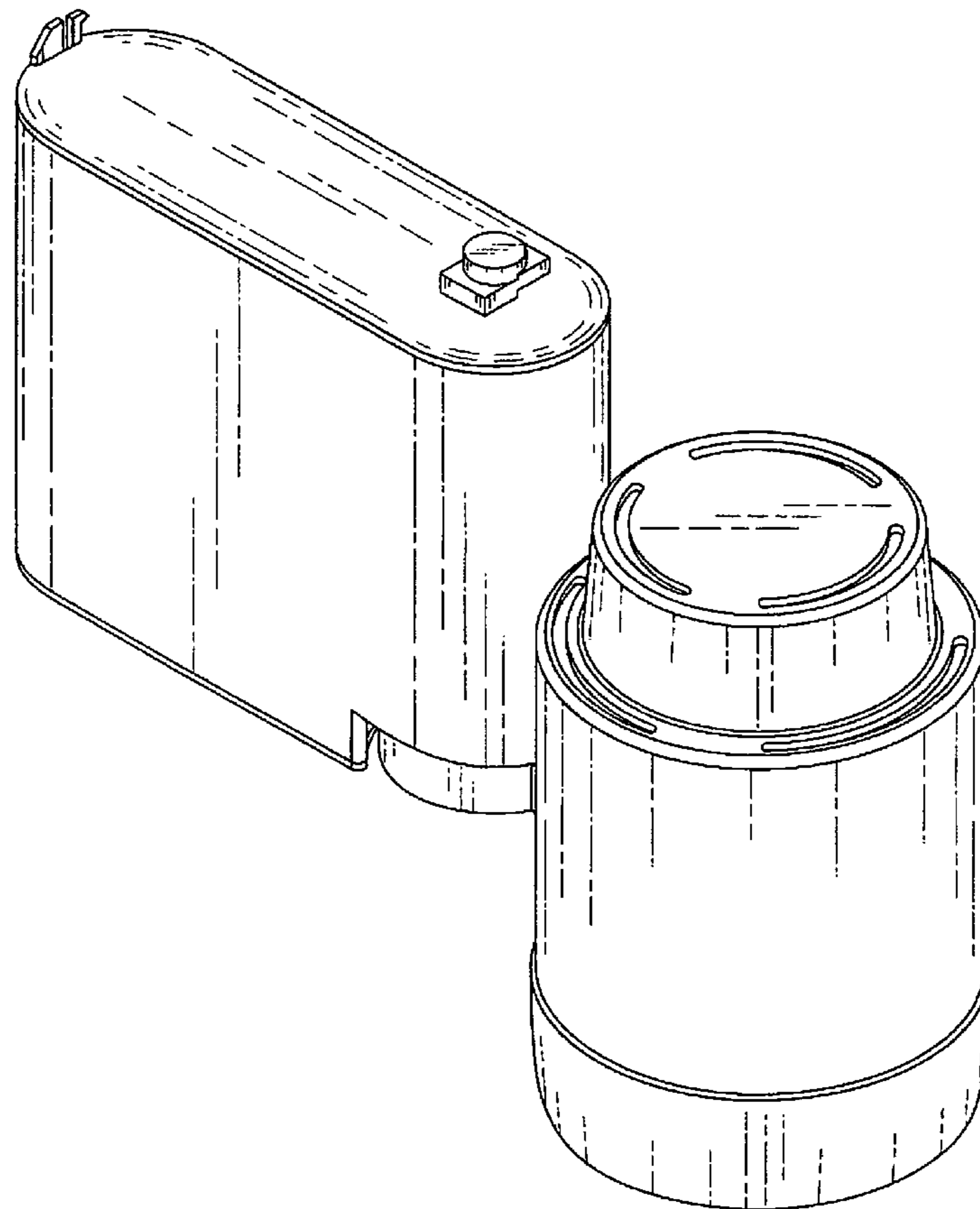
FIG. 4 is a front view;

FIG. 5 is a rear view;

FIG. 6 is a top view; and,

FIG. 7 is a bottom view.

1 Claim, 7 Drawing Sheets



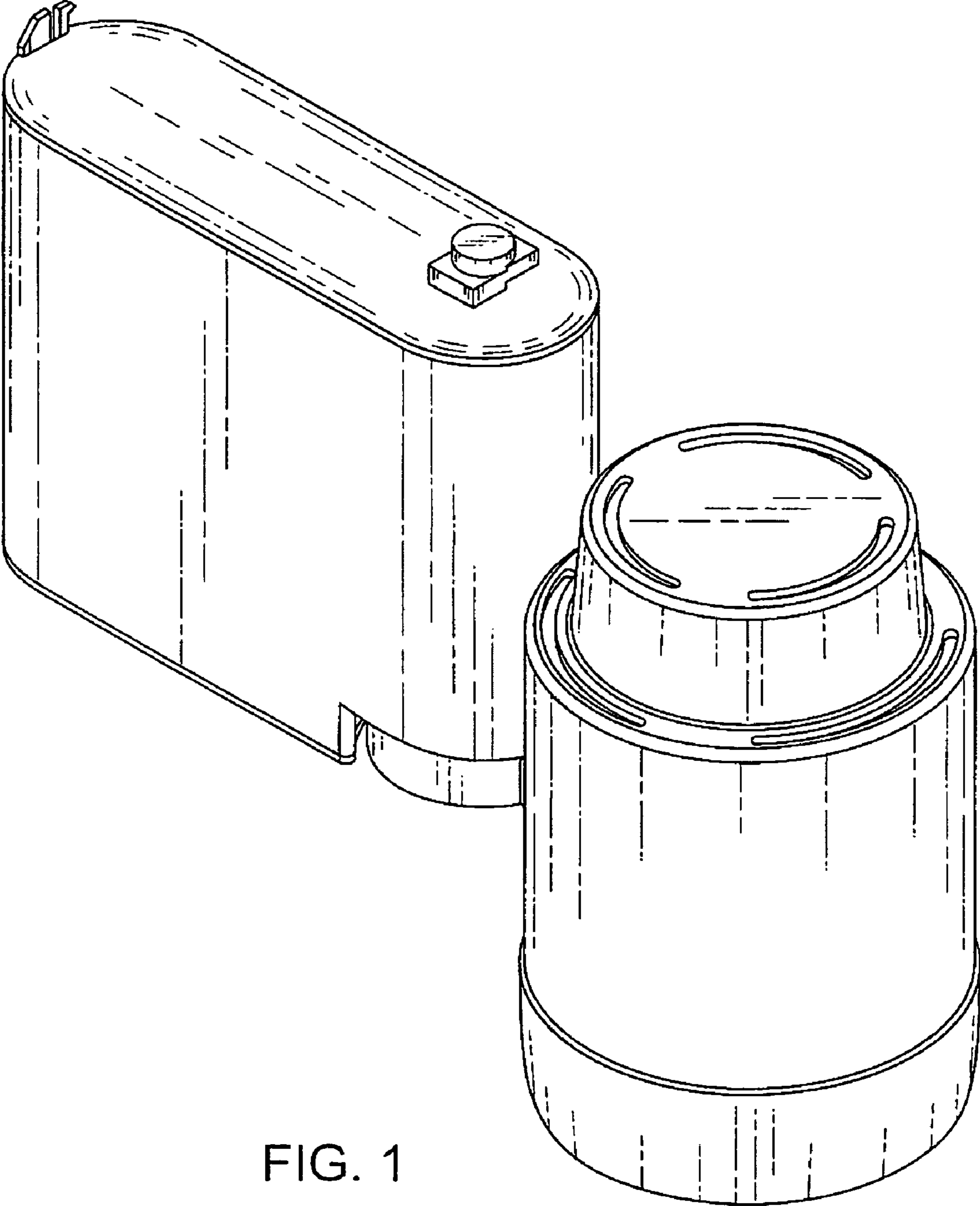


FIG. 1

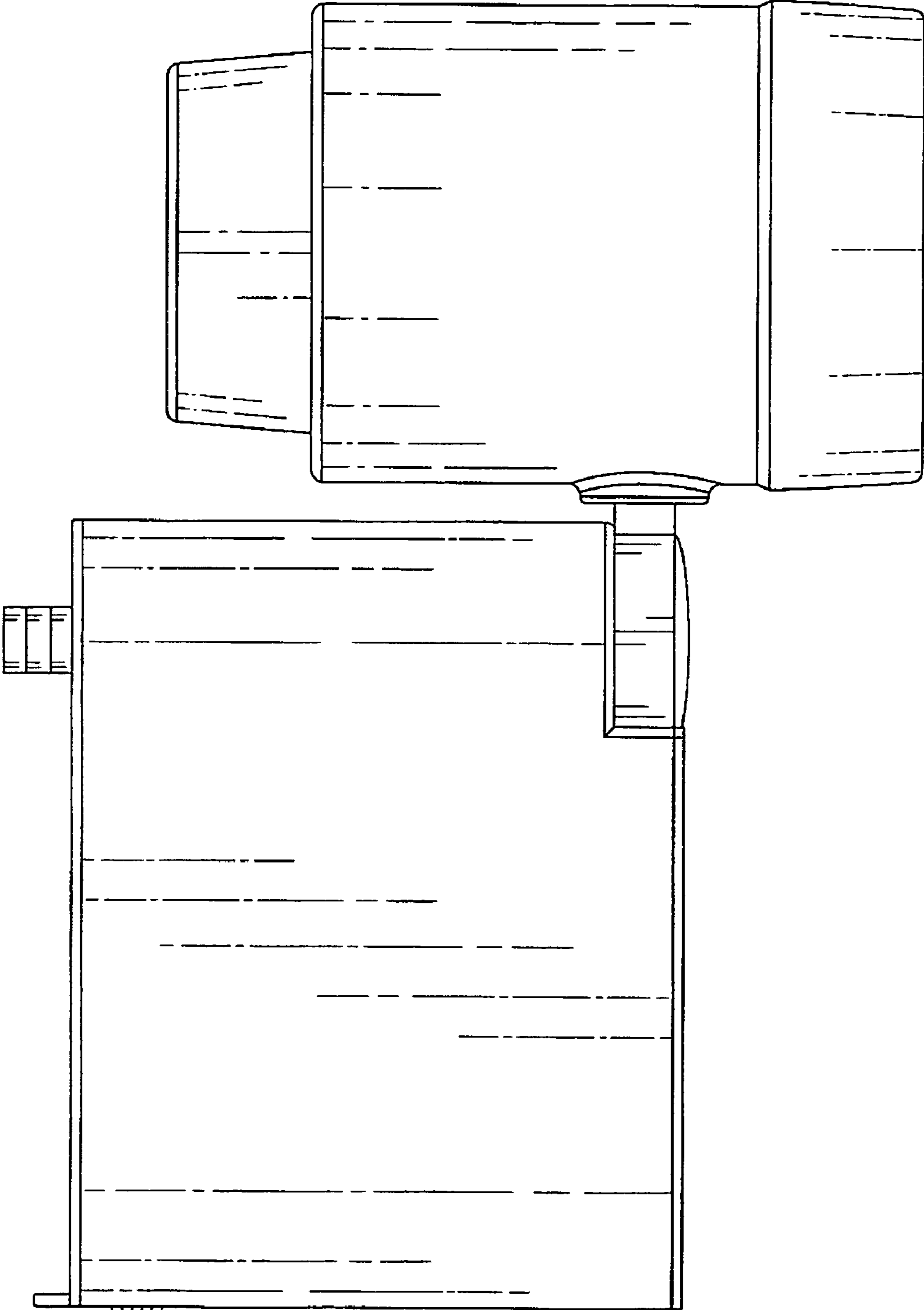


FIG. 2

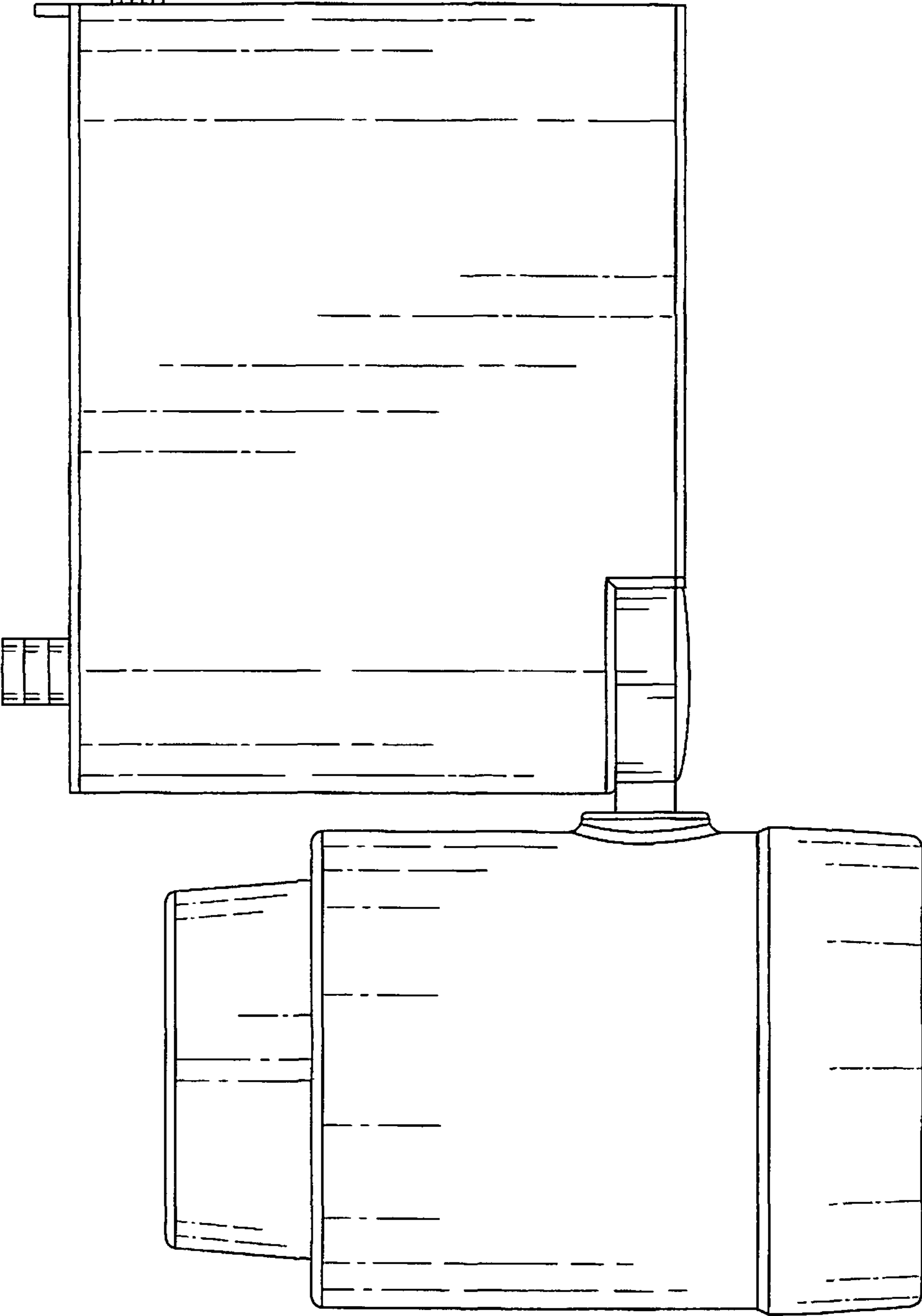


FIG. 3

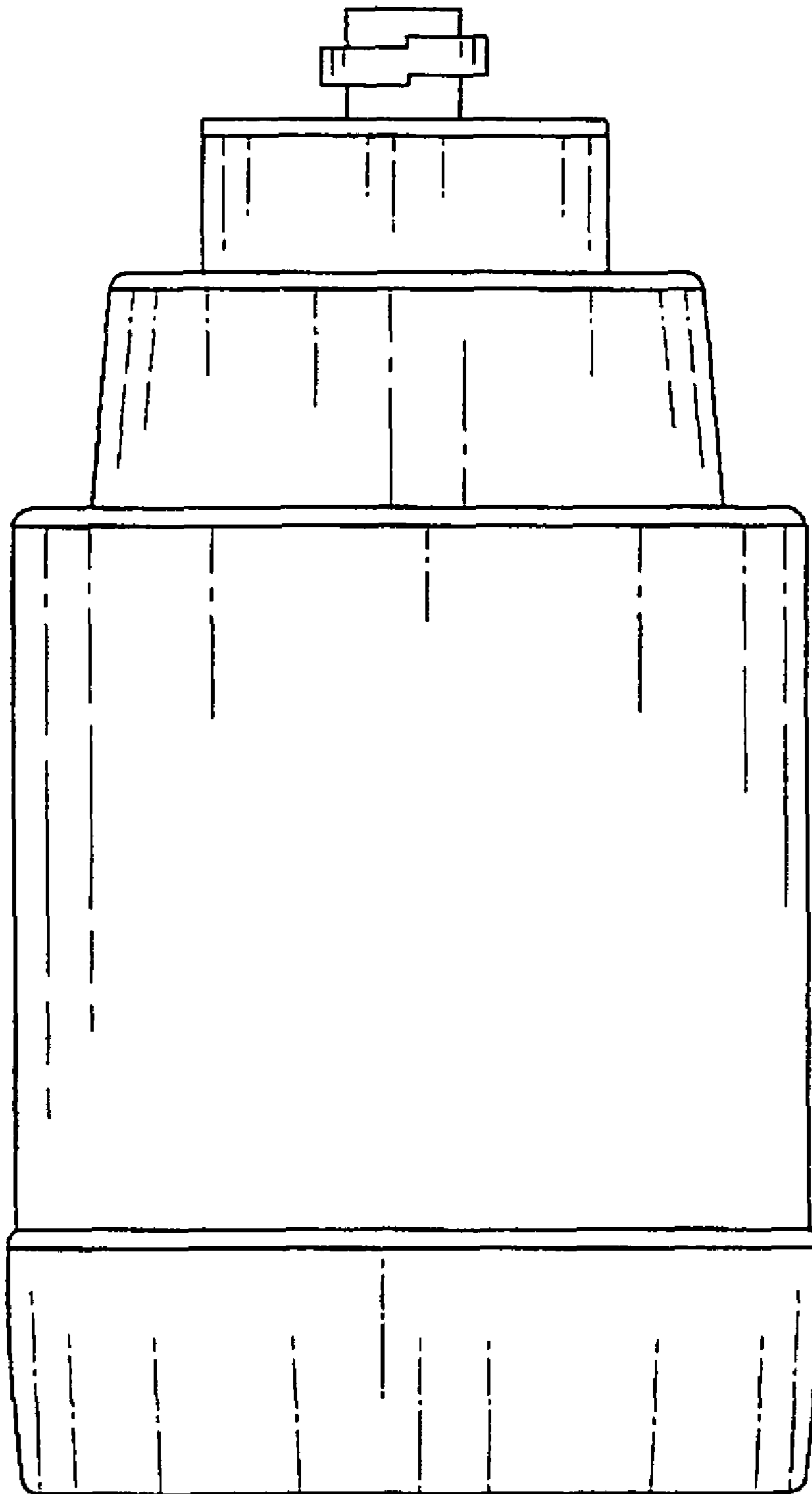


FIG. 4

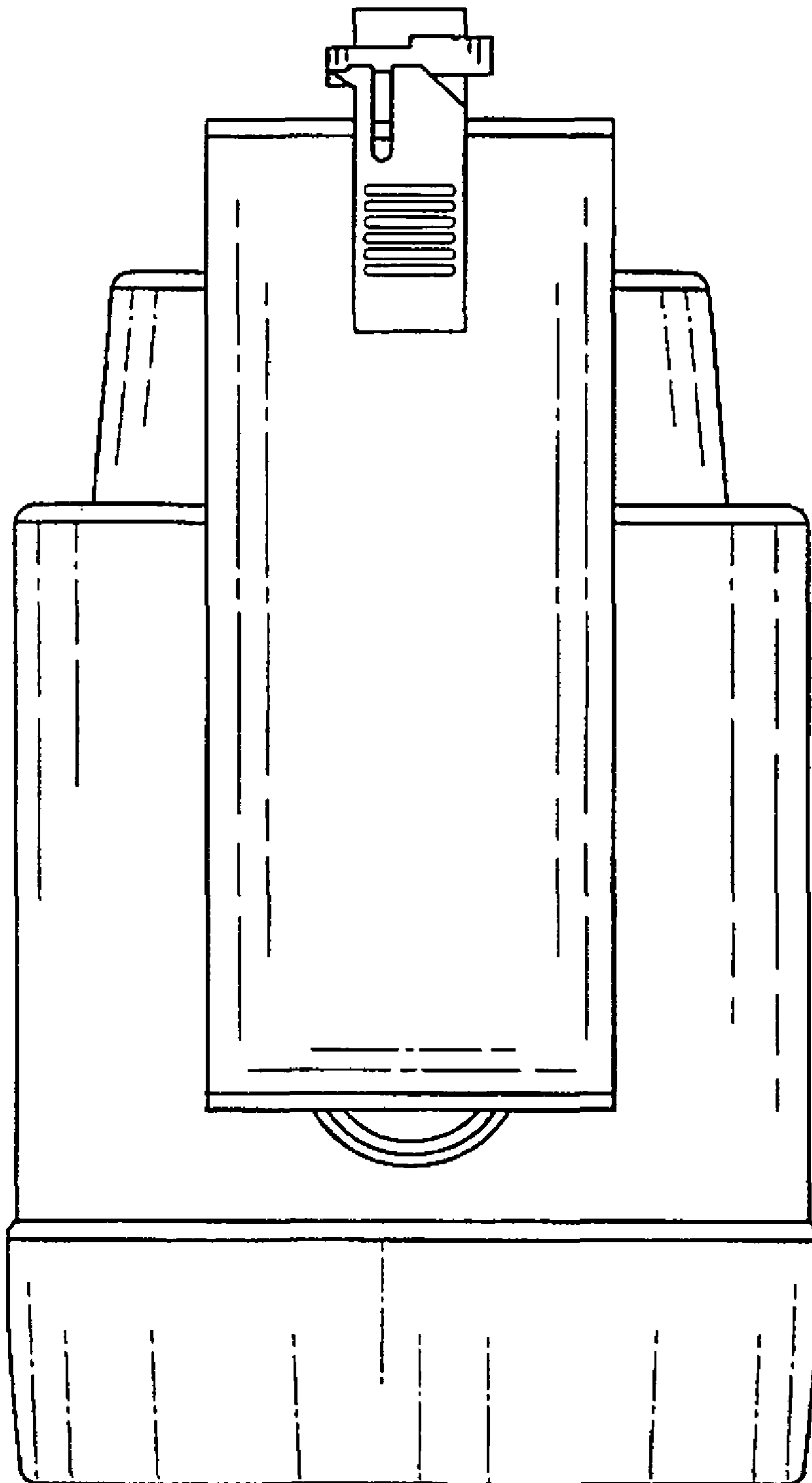


FIG. 5

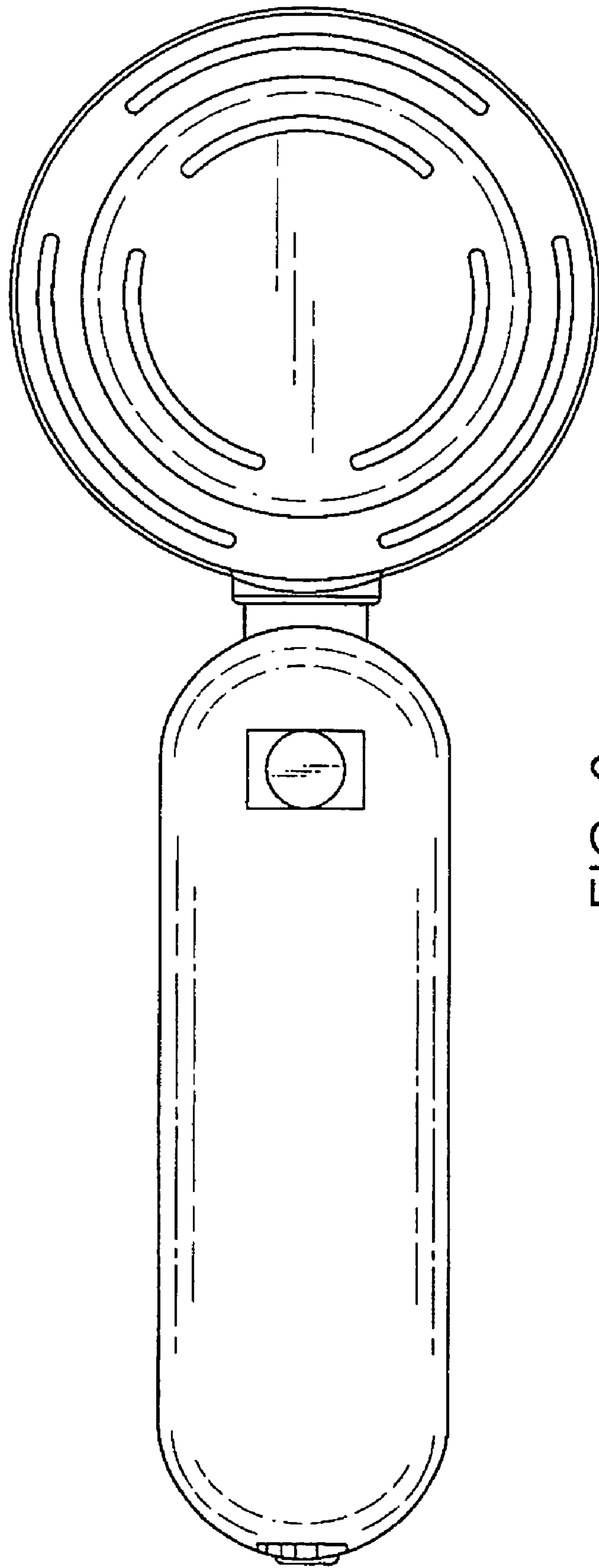


FIG. 6

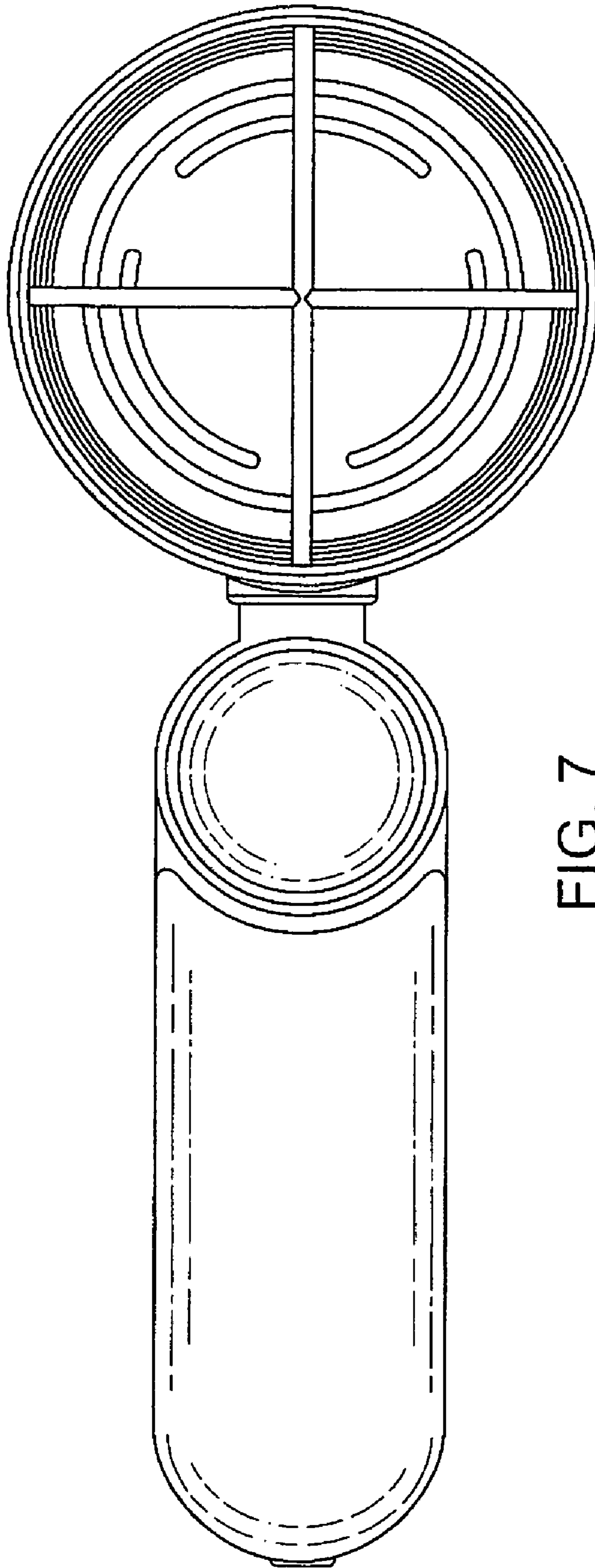


FIG. 7