



US00D625864S

(12) **United States Design Patent**
Lo

(10) **Patent No.:** **US D625,864 S**
(45) **Date of Patent:** **** Oct. 19, 2010**

(54) **LIGHTING DEVICE**

(75) Inventor: **Ricky Lo**, Kowloon (HK)

(73) Assignee: **Mekosonic Enterprises Limited**,
Kowloon (HK)

(**) Term: **14 Years**

(21) Appl. No.: **29/355,554**

(22) Filed: **Feb. 9, 2010**

(30) **Foreign Application Priority Data**

Oct. 27, 2009 (HK) 0901798.1

(51) **LOC (9) Cl.** **26-02**

(52) **U.S. Cl.** **D26/44; D26/60**

(58) **Field of Classification Search** D26/37,
D26/38, 39, 40, 44, 43, 45, 46, 47, 49, 51,
D26/60, 65; 362/157, 158, 183, 184, 190,
362/191, 192, 193, 194, 195, 196, 197, 198-208
See application file for complete search history.

(56) **References Cited**

U.S. PATENT DOCUMENTS

D346,457 S * 4/1994 Friedman D26/43
D408,567 S * 4/1999 Coe D26/60
D498,551 S * 11/2004 Chan D26/37
D524,474 S * 7/2006 Lo et al. D26/60
D526,433 S * 8/2006 Li D26/60
D542,452 S * 5/2007 Chow D26/60

D605,320 S * 12/2009 Moudry et al. D26/39
D607,131 S * 12/2009 Levine D26/44
D615,226 S * 5/2010 Levine D26/44

* cited by examiner

Primary Examiner—Charles A Rademaker

Assistant Examiner—Carissa C Fits

(74) *Attorney, Agent, or Firm*—Intellectual Property Law
Group LLP; Juneko Jackson; Otto O. Lee

(57) **CLAIM**

The ornamental design for a lighting device, as shown and
described.

DESCRIPTION

FIG. 1 is a top, front, right perspective view of a lighting
device embodying my new design;

FIG. 2 is a top, front, left perspective view thereof in an
extended position;

FIG. 3 is a bottom, rear, right perspective view of FIG. 1;

FIG. 4 is bottom, rear, right perspective view of FIG. 2;

FIG. 5 is a rear view of FIG. 1;

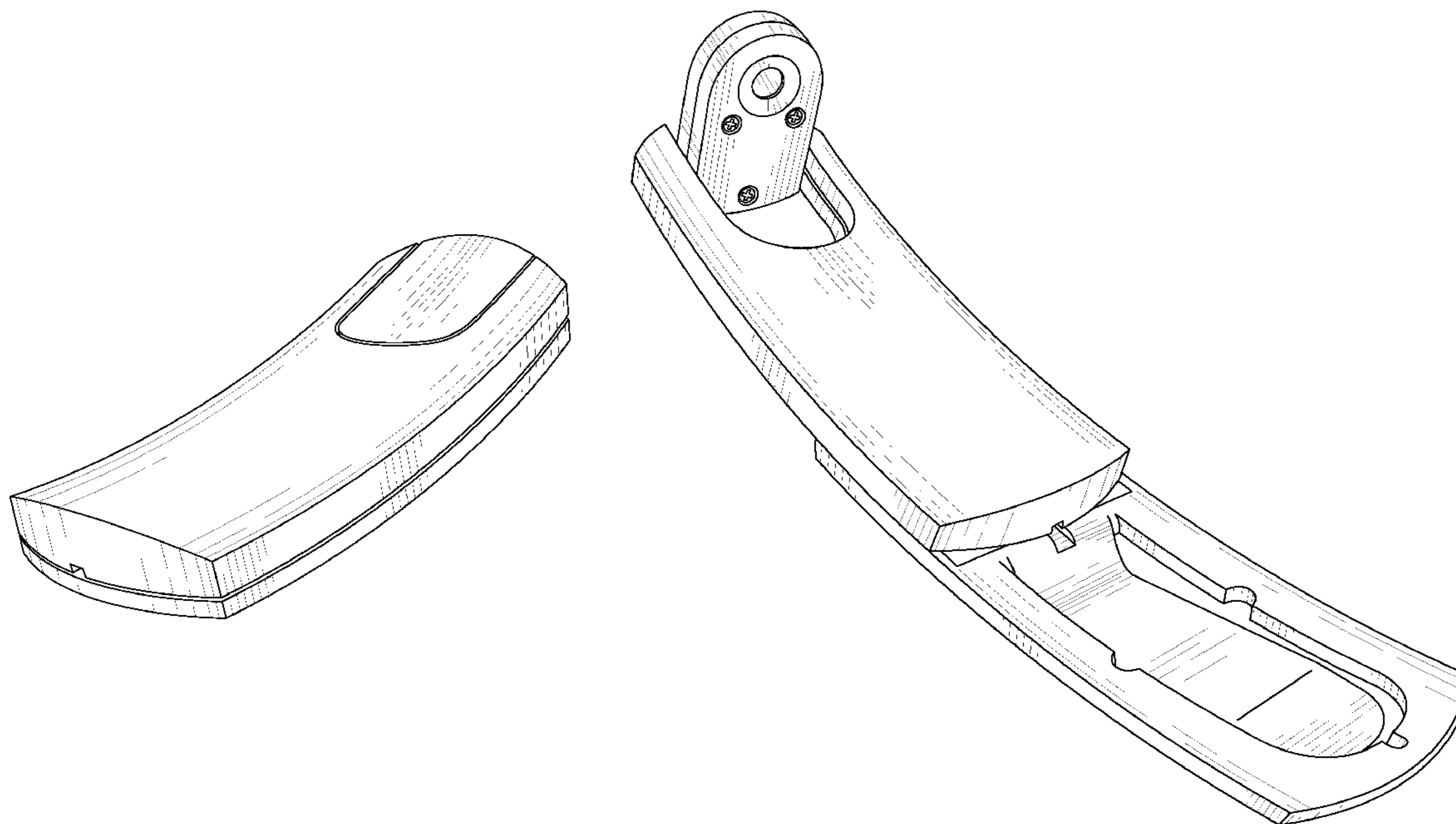
FIG. 6 is a front view thereof;

FIG. 7 is a right side view thereof, the left side view being a
mirror image thereof;

FIG. 8 is a bottom plan view thereof; and,

FIG. 9 is a top plan view thereof.

1 Claim, 3 Drawing Sheets



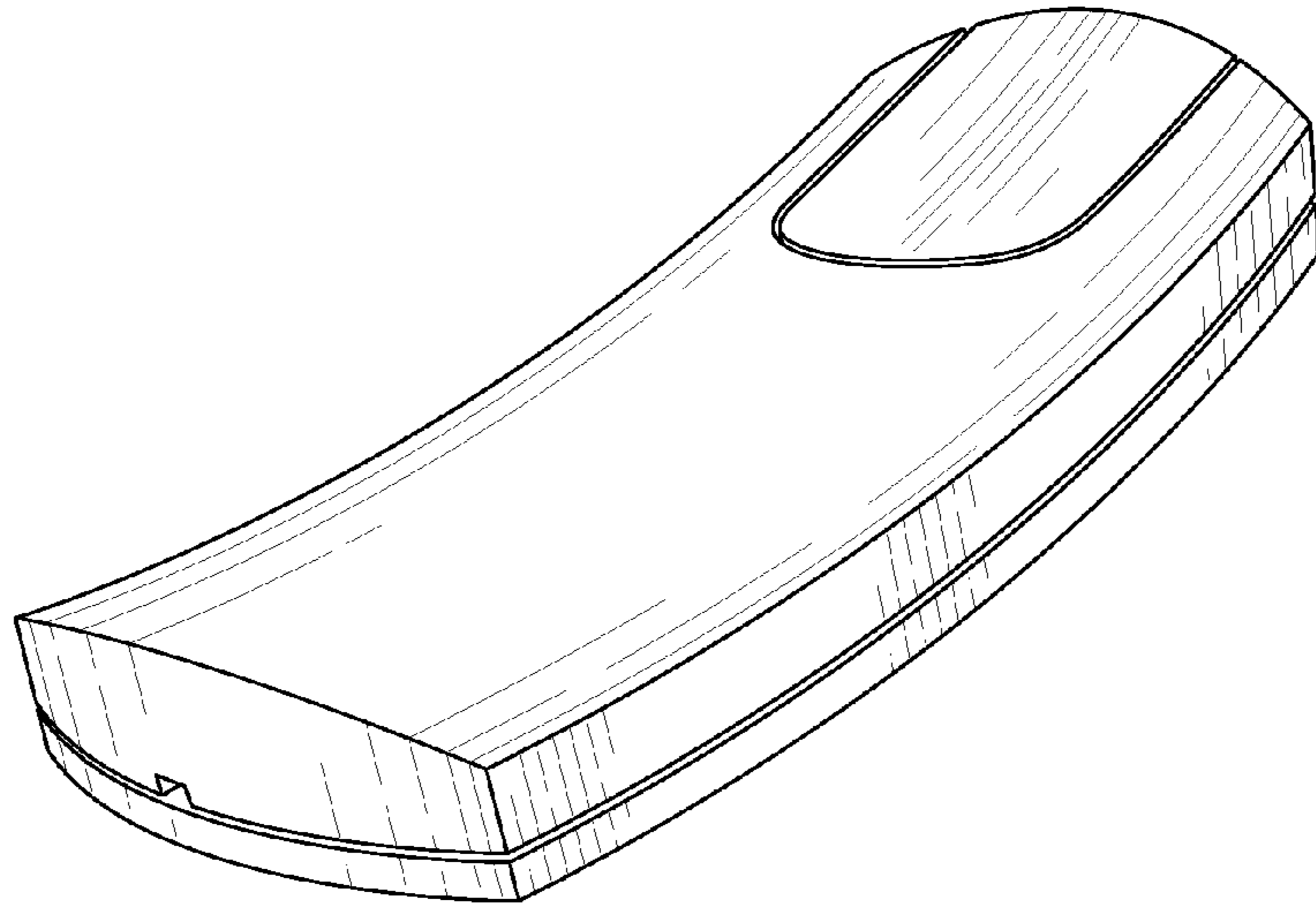


FIG. 1

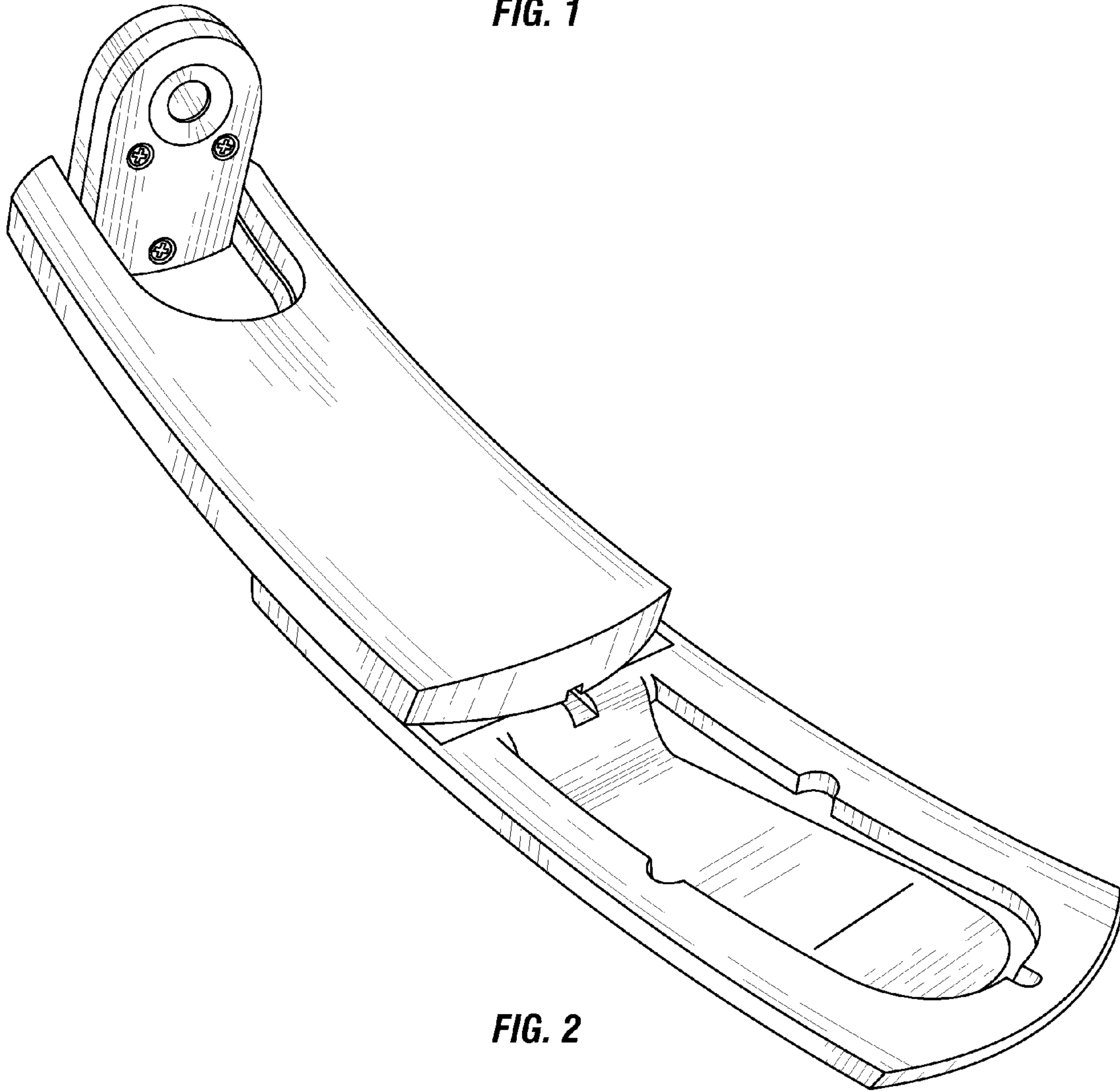
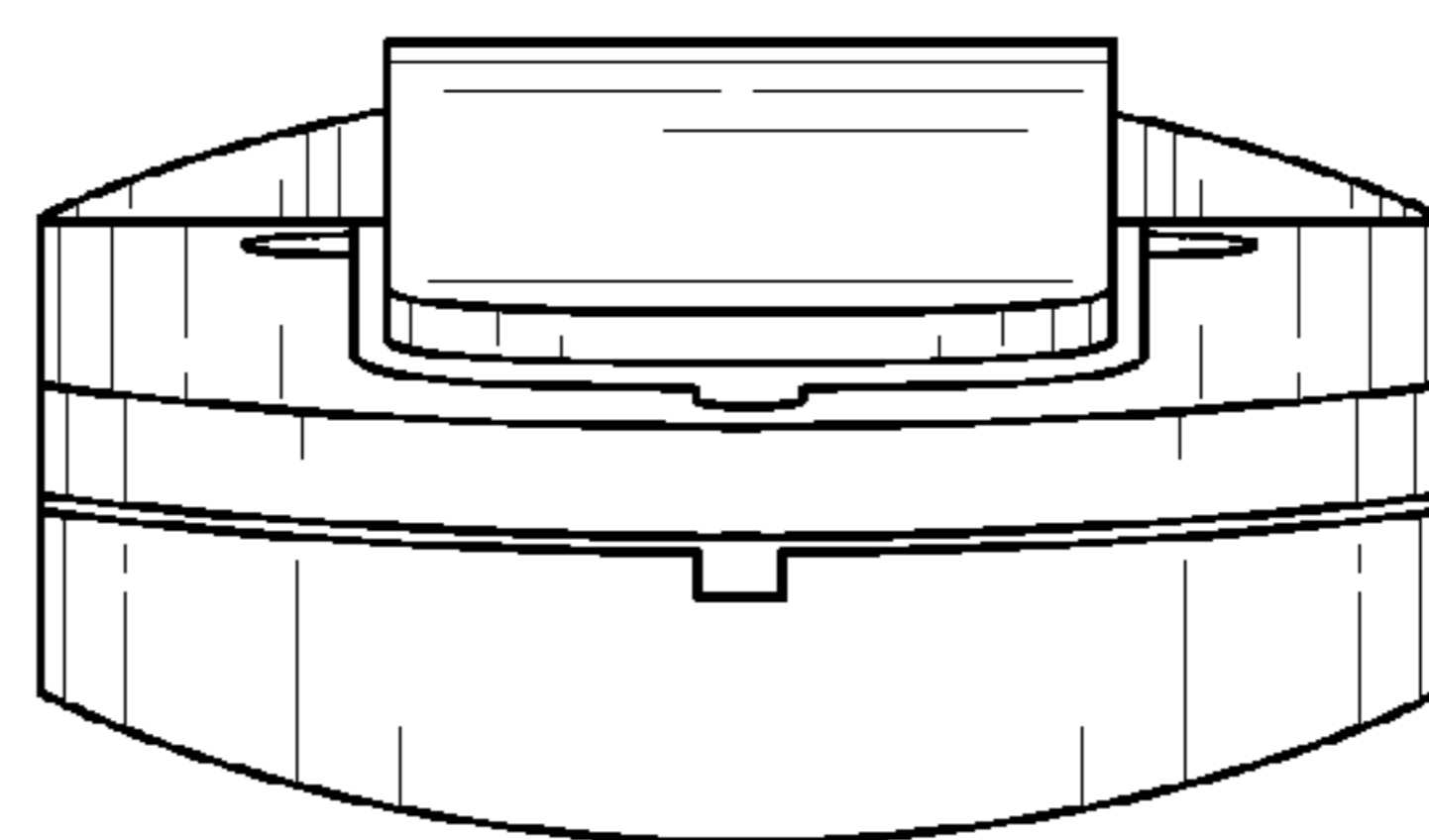
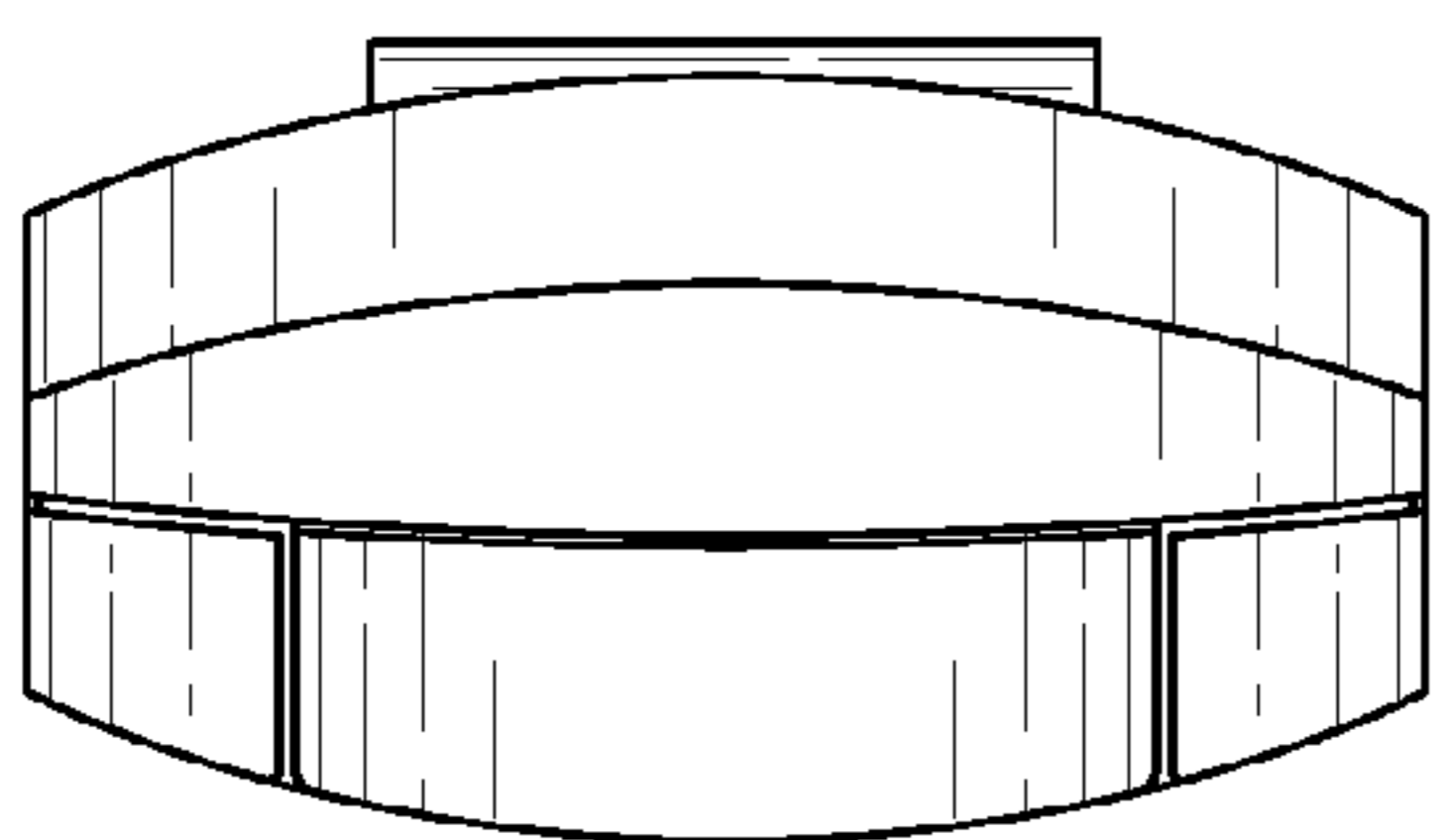
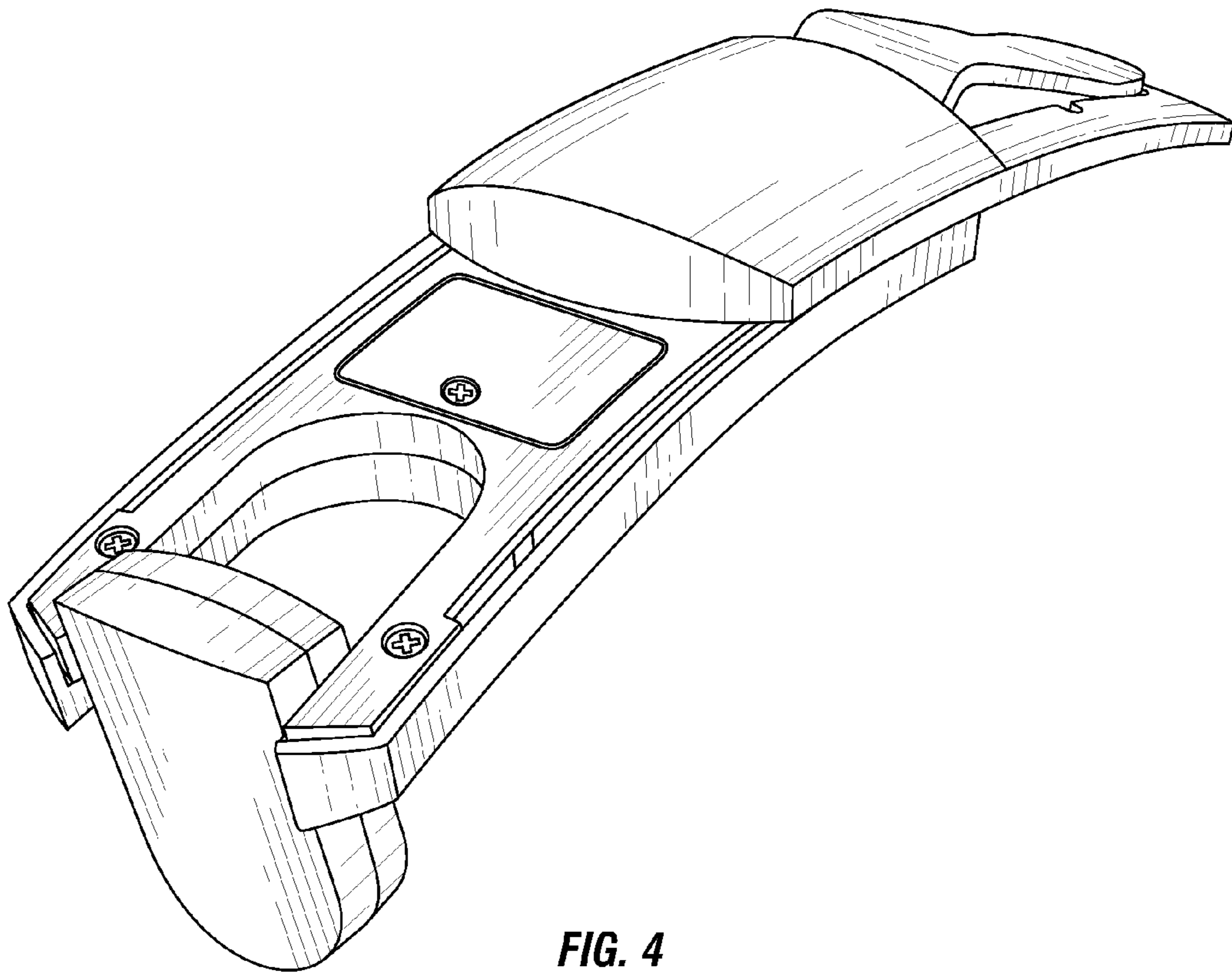
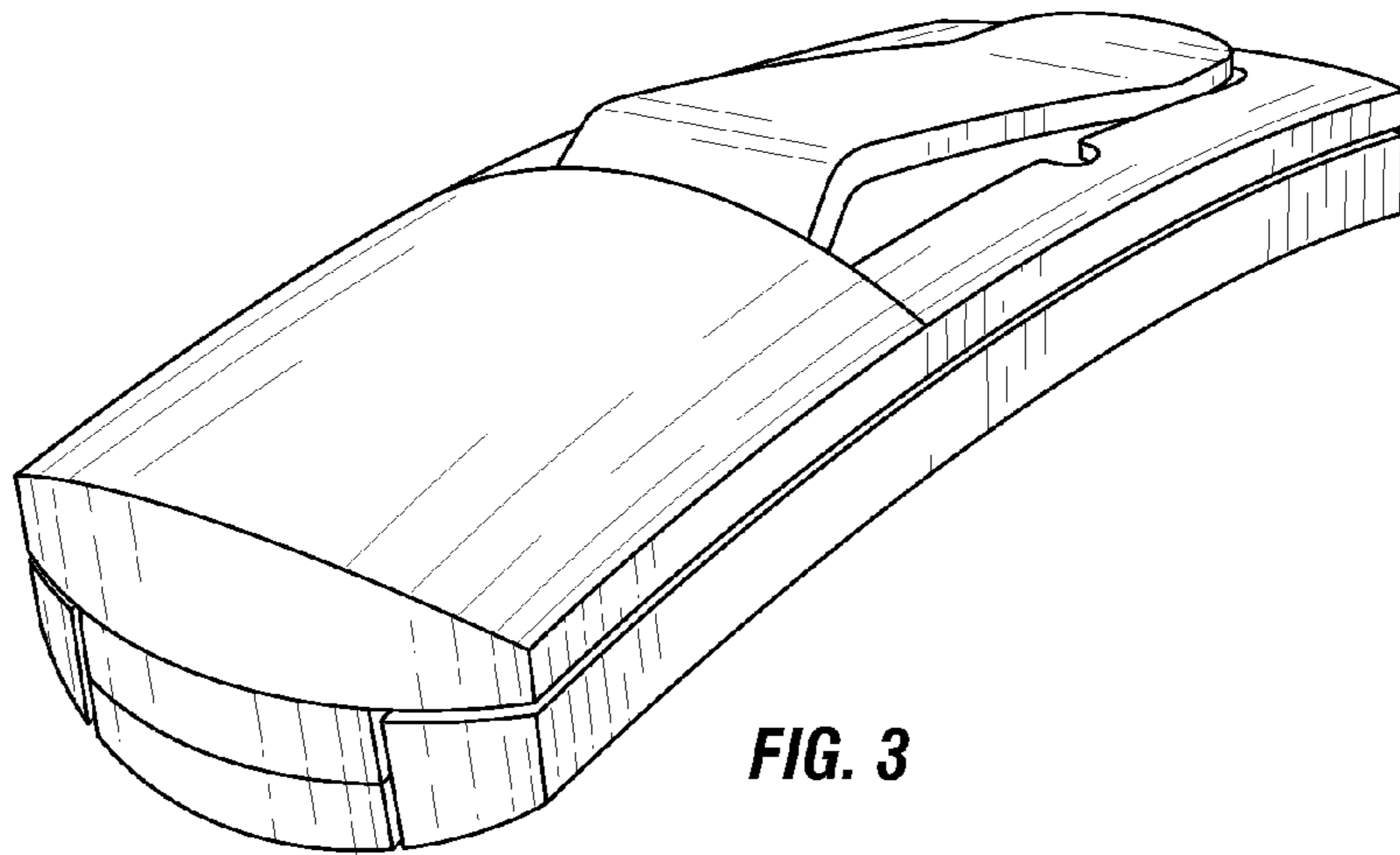


FIG. 2



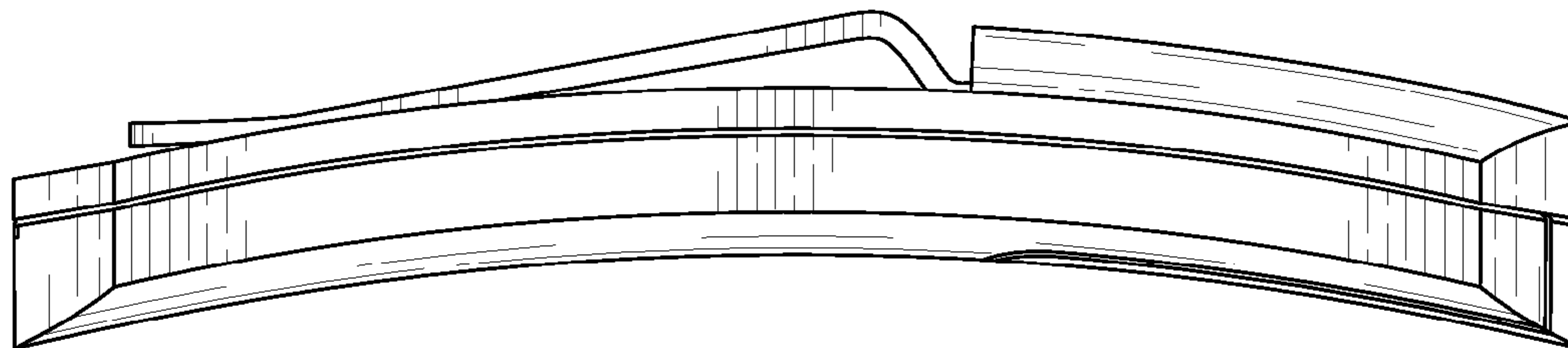


FIG. 7

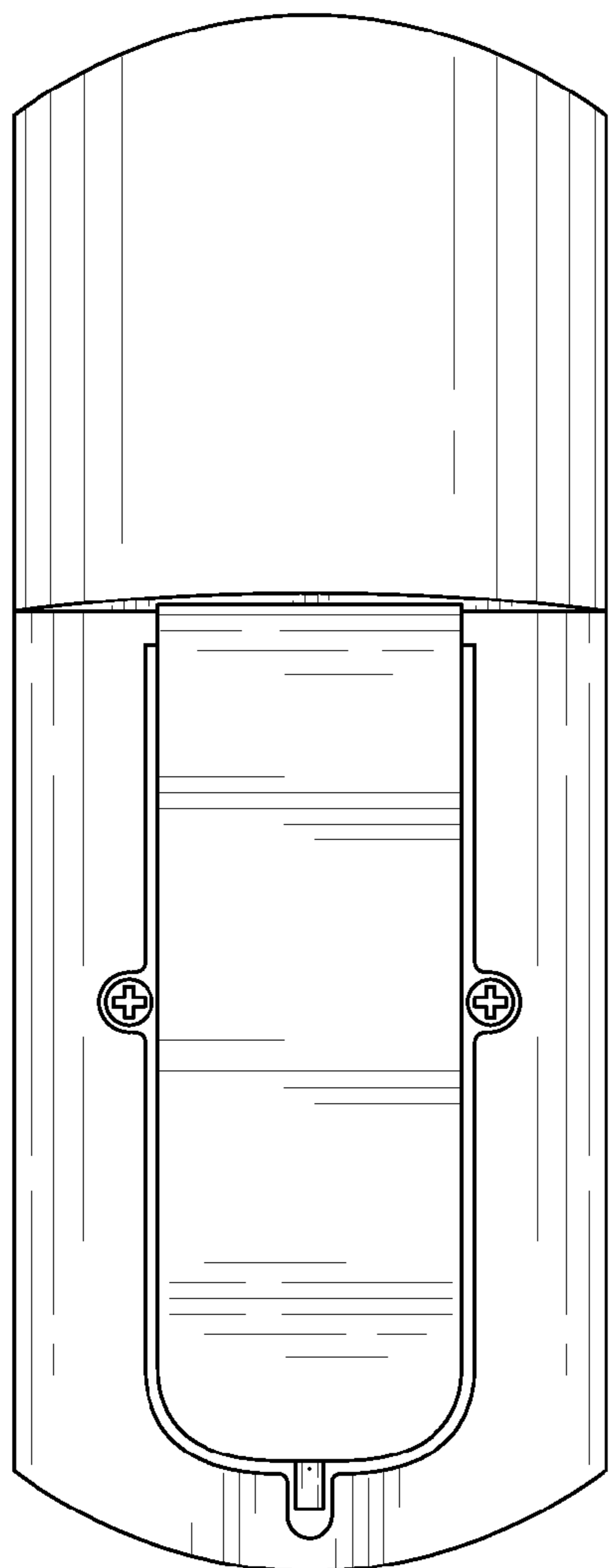


FIG. 8

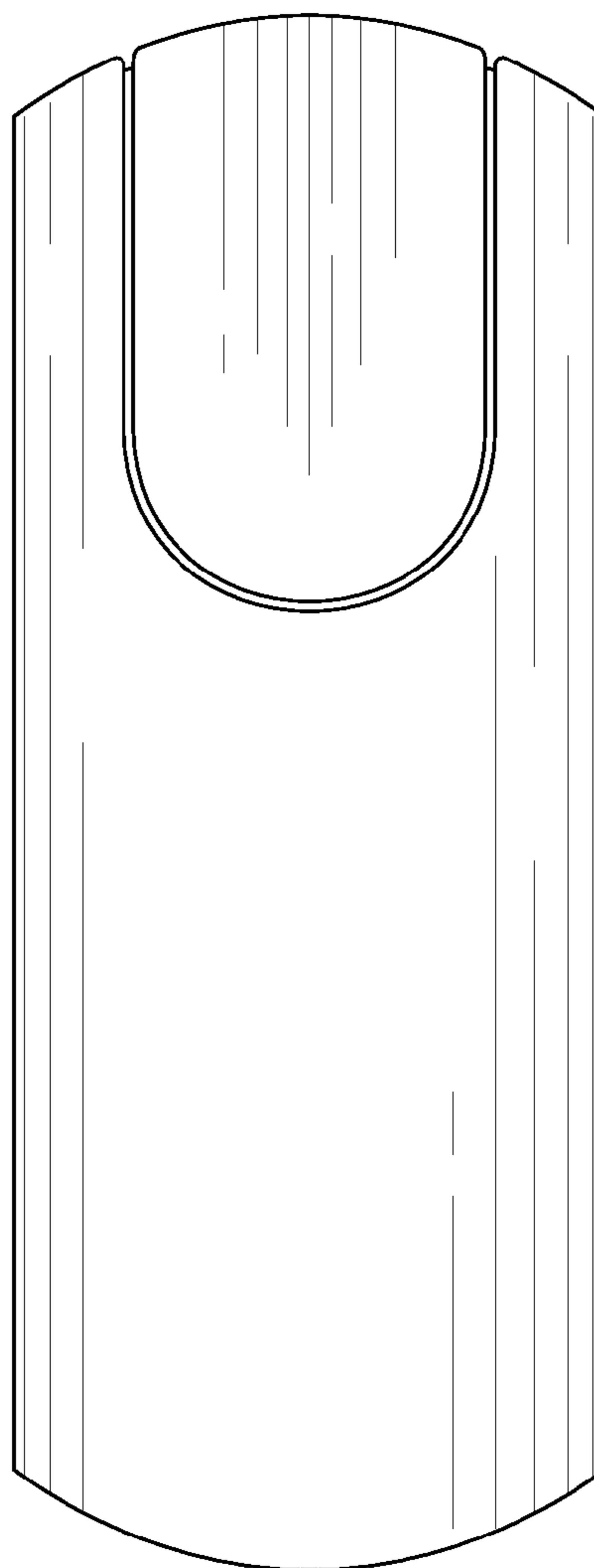


FIG. 9