



US00D625851S

(12) **United States Design Patent**
Furner et al.

(10) **Patent No.:** **US D625,851 S**
(45) **Date of Patent:** **** *Oct. 19, 2010**

(54) **CANDLE HOLDER**

(75) Inventors: **Paul E. Furner**, Racine, WI (US);
Debora L. Bonpua, Maple Grove, MN
(US); **Kwok Chong Cheng**, Mississauga
(CA)

(73) Assignee: **S.C. Johnson, Inc.**, Racine, WI (US)

(**) Term: **14 Years**

(21) Appl. No.: **29/314,097**

(22) Filed: **Mar. 3, 2009**

(51) **LOC (9) Cl.** **26-01**

(52) **U.S. Cl.** **D26/22**

(58) **Field of Classification Search** D26/1-23,
D26/114-137; D11/117; 428/7-11; 431/291,
431/311, 320, 298, 288; 362/161-163, 351,
362/569, 392

See application file for complete search history.

(56) **References Cited**

U.S. PATENT DOCUMENTS

- D43,845 S 4/1913 Hirschfeld
- D48,529 S 2/1916 Sanford
- D49,902 S 11/1916 Laberee et al.
- D66,972 S 4/1925 Farber
- D67,108 S 4/1925 Steeple
- D75,463 S 6/1928 Bach
- D80,971 S 4/1930 Sakier
- D83,100 S 1/1931 Gisolfi
- D105,118 S 6/1937 Mackelfresh, Jr.
- D110,902 S 8/1938 Loesch
- D119,166 S * 2/1940 Guild D7/565
- D119,587 S 3/1940 Fuerst
- D120,220 S 4/1940 Guild
- D125,929 S * 3/1941 Rolph et al. D26/130
- D193,584 S 9/1962 Eicholtz
- 3,121,316 A * 2/1964 Wilson et al. 431/206
- D206,946 S 2/1967 Knodt
- D208,064 S 7/1967 Quistgaard
- D208,097 S 7/1967 Henn
- D226,240 S 1/1973 Twedt

- D229,852 S 1/1974 Lindblad
- D236,064 S 7/1975 Balbo
- D247,635 S 3/1978 Maxwell
- D248,499 S 7/1978 Ulrich et al.
- D248,500 S 7/1978 Ulrich et al.
- D248,787 S 8/1978 Ulrich et al.
- D248,788 S 8/1978 Ulrich et al.
- D248,789 S 8/1978 Ulrich et al.
- D253,432 S 11/1979 Van Koert

(Continued)

OTHER PUBLICATIONS

Cement Garden Pot - at Dundee Nursery, Manufacturer unknown, 1 page, Colored Photo dated Oct. 2, 2008.

(Continued)

Primary Examiner—T. Chase Nelson
Assistant Examiner—Ania K Dworzecka

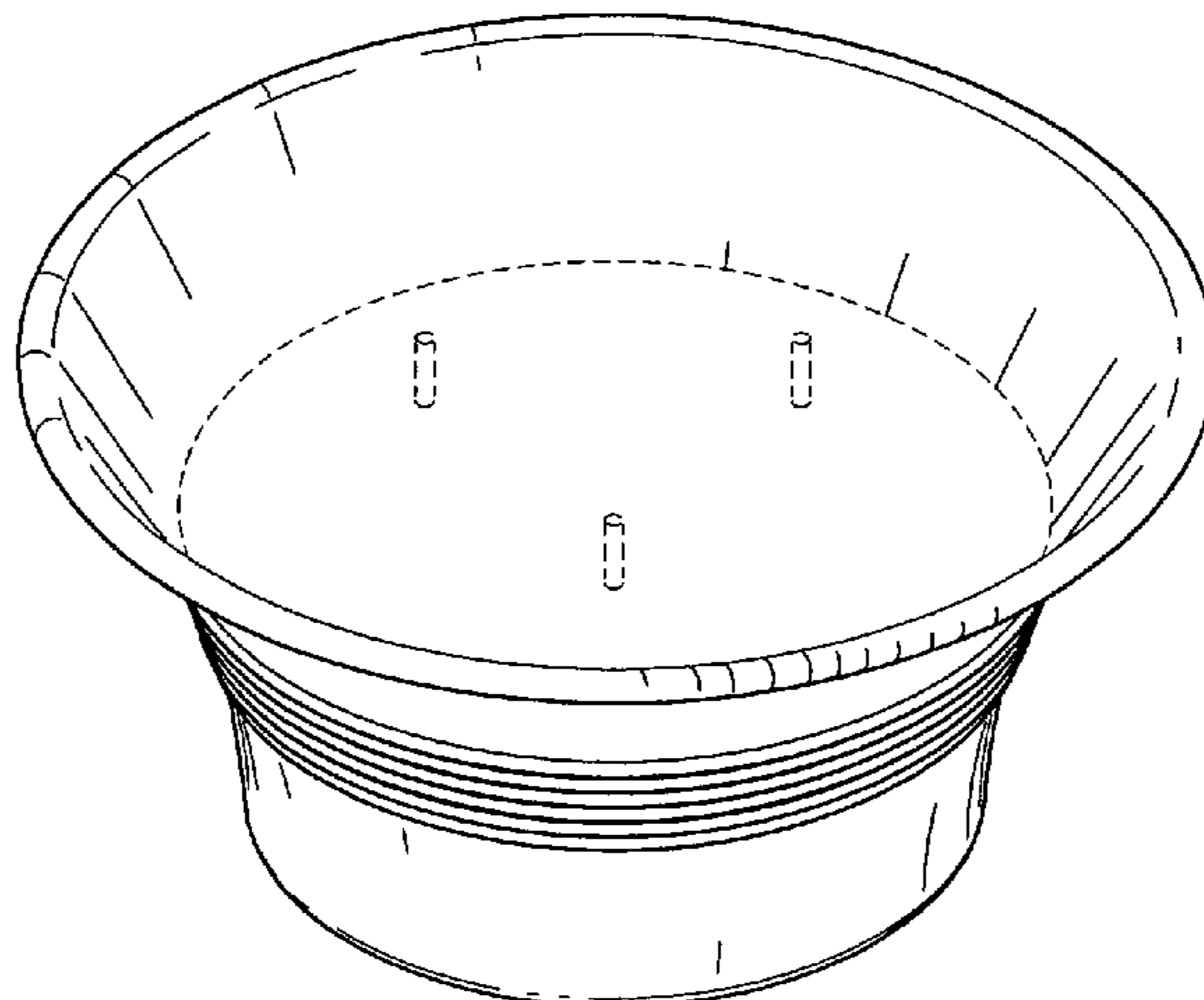
(57) **CLAIM**

The ornamental design for a candle holder, as shown and described.

DESCRIPTION

FIG. 1 is an isometric view of a top and side of an ornamental design for a candle holder;
FIG. 2 is a top plan view of the candle holder of FIG. 1;
FIG. 3 is a side elevational view of the candle holder of FIG. 1; and,
FIG. 4 is a bottom plan view of the candle holder of FIG. 1.
The subject matter shown in dashed lines depicts environmental structure and forms no part of the claimed design.

1 Claim, 2 Drawing Sheets



US D625,851 S

Page 2

U.S. PATENT DOCUMENTS

D253,732 S	12/1979	Van Koert		D456,539 S	4/2002	Leeds	
D257,641 S	12/1980	Taylor		D456,673 S *	5/2002	Kerman	D7/545
D264,385 S	5/1982	Meyer		D459,498 S	6/2002	Araujo	
D280,443 S	9/1985	Boss		6,398,544 B2	6/2002	Wright et al.	
D285,396 S	9/1986	Odate		D461,916 S	8/2002	Araujo	
D292,525 S	10/1987	Van Deelen		D462,132 S	8/2002	Papai	
D312,507 S	11/1990	Thoreson		D462,793 S	9/2002	Freeman et al.	
D320,266 S	9/1991	Kunze		D464,745 S	10/2002	Mangini et al.	
D325,077 S	3/1992	Kearnes		D465,587 S	11/2002	Papai	
D329,942 S	10/1992	Carr		D466,236 S	11/2002	Papai	
D355,266 S	2/1995	Caplette et al.		D466,633 S	12/2002	Bennetts et al.	
D356,472 S	3/1995	Jaworski		D469,550 S	1/2003	Moeller	
D360,461 S	7/1995	Gillespie		D469,893 S	2/2003	Shen	
D362,179 S	9/1995	Kaplan		D471,299 S	3/2003	Papai	
D369,221 S	4/1996	Linderman		D474,854 S	5/2003	Lam	
D369,871 S	5/1996	Lui		D477,065 S	7/2003	Lonczak et al.	
D370,068 S	5/1996	Lui		D478,180 S	8/2003	Boss	
D371,212 S	6/1996	Hardy et al.		D478,474 S *	8/2003	Zettle	D7/545
D376,002 S	11/1996	Upton		D481,143 S	10/2003	McMinn	
D377,402 S	1/1997	Perkins		D481,473 S	10/2003	Walsh	
D383,555 S	9/1997	Hardy		D484,365 S	12/2003	Wyche	
D383,944 S	9/1997	Lillelund et al.		D485,341 S	1/2004	Wu	
D390,676 S	2/1998	Hollington		D485,624 S	1/2004	Kitamura	
D391,119 S	2/1998	Rapaz		D487,687 S	3/2004	Shields, Jr.	
D393,817 S *	4/1998	Folley	D11/153	D490,655 S	6/2004	Zettle	
D393,910 S	4/1998	Chambers et al.		D491,019 S *	6/2004	Marsden et al.	D7/523
D394,513 S *	5/1998	Davis	D26/6	D491,288 S	6/2004	Young	
D394,910 S	6/1998	Volker		D492,043 S	6/2004	Mader	
D395,529 S	6/1998	Yuen		D493,548 S	7/2004	Goldman	
D399,298 S	10/1998	Whitehead		D495,437 S	8/2004	Barbera et al.	
D410,756 S	6/1999	Kleinberg		D495,438 S	8/2004	Barbera et al.	
D415,295 S	10/1999	Kochis et al.		D496,474 S	9/2004	Murdick	
D416,099 S	11/1999	Hardy		D497,680 S	10/2004	McMinn	
D416,341 S	11/1999	Allen		D497,986 S	11/2004	Morillas	
D422,180 S	4/2000	Sundberg		D498,525 S	11/2004	Harbutt et al.	
D425,220 S	5/2000	Klett et al.		D503,003 S	3/2005	Nelson et al.	
D425,636 S	5/2000	Freeman		D504,527 S	4/2005	Kim	
D426,902 S	6/2000	Hardy et al.		D507,063 S	7/2005	Nelson et al.	
D430,943 S	9/2000	Zutler		D508,291 S	8/2005	Janssen	
D433,168 S	10/2000	Cousins		D510,032 S	9/2005	Ames	
D435,100 S	12/2000	Pesu et al.		D518,159 S	3/2006	Chen	
D436,415 S	1/2001	Hardy		D527,120 S	8/2006	Konkle, Jr.	
D436,416 S	1/2001	Iu		D530,838 S	10/2006	Adams	
D439,517 S	3/2001	Lindsay et al.		D531,082 S	10/2006	Belokin	
D441,598 S *	5/2001	Wyche	D7/360	D534,283 S *	12/2006	Adams et al.	D26/9
D442,425 S *	5/2001	Wyche	D7/360	D537,753 S	3/2007	Belokin	
D442,709 S	5/2001	Klett et al.		D543,784 S	6/2007	Assez	
D443,080 S	5/2001	Klett et al.		D544,613 S	6/2007	Timmann et al.	
D443,081 S	5/2001	Klett et al.		D546,481 S *	7/2007	Adams et al.	D26/22
D443,082 S	5/2001	Klett et al.		D547,125 S *	7/2007	Wasserman et al.	D7/545
D443,101 S	5/2001	Williamson		2002/0127507 A1	9/2002	Long	
D445,030 S	7/2001	Croft et al.		2009/0004067 A1	1/2009	Furner et al.	
D445,337 S	7/2001	Croft et al.		2009/0004614 A1	1/2009	Furner et al.	
D447,418 S	9/2001	Bezek et al.					
D448,867 S	10/2001	Manocheo et al.					
D450,395 S	11/2001	Bellenger					
D450,865 S	11/2001	Bellenger et al.					
D455,486 S	4/2002	Makino					
D455,846 S	4/2002	Araujo					
D456,536 S	4/2002	Araujo					

OTHER PUBLICATIONS

Moss Finish Cement Pedestal Planter, Manufacturer unknown, 1 page, Colored Photo dated Oct. 6, 2008.

Ceramic Decor Piece, Manufacturer: Decori, 1 page, Colored Photo taken in Home Decor Boutique, Colored Photo dated Oct. 1, 2008.

* cited by examiner

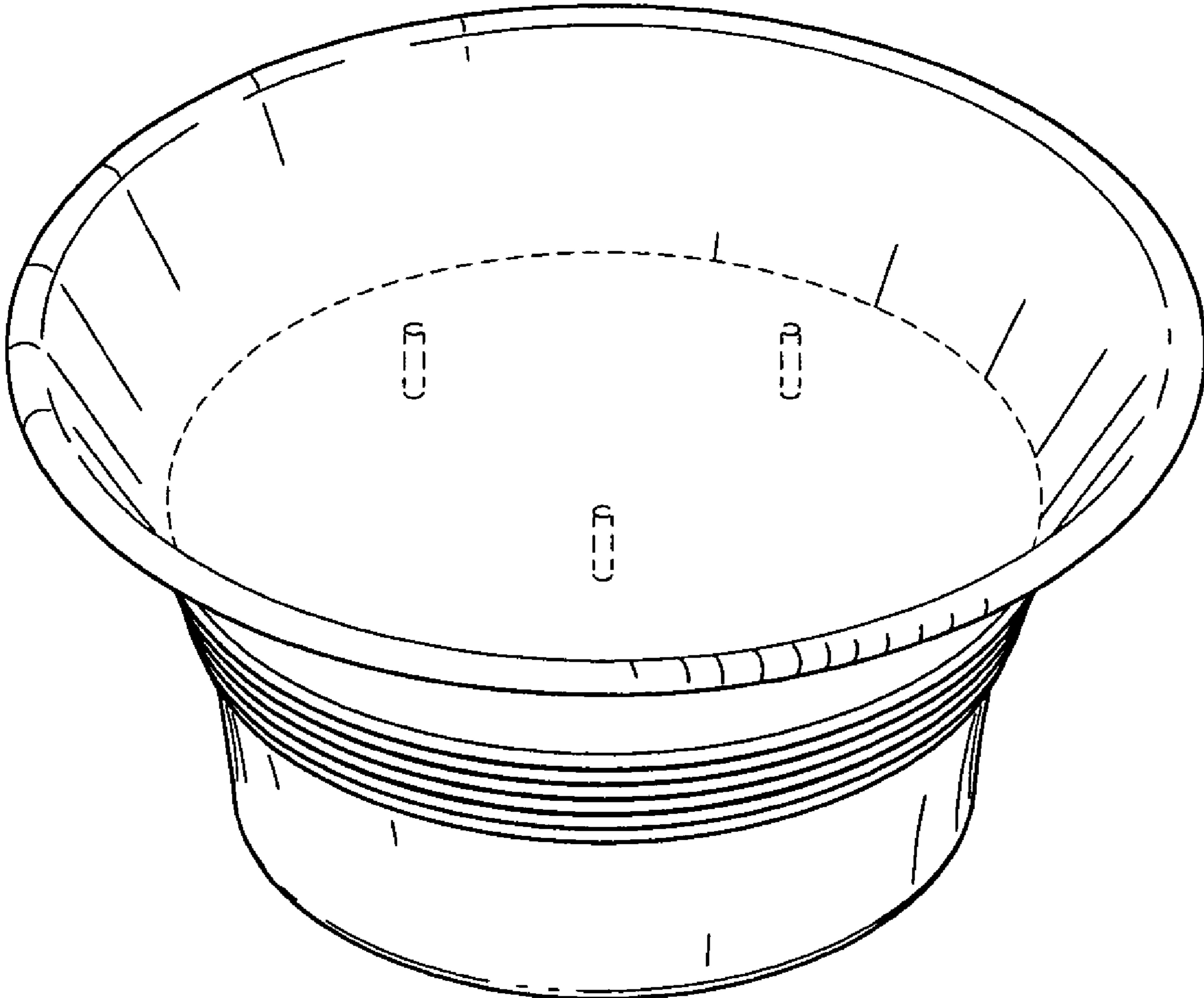


FIG. 1

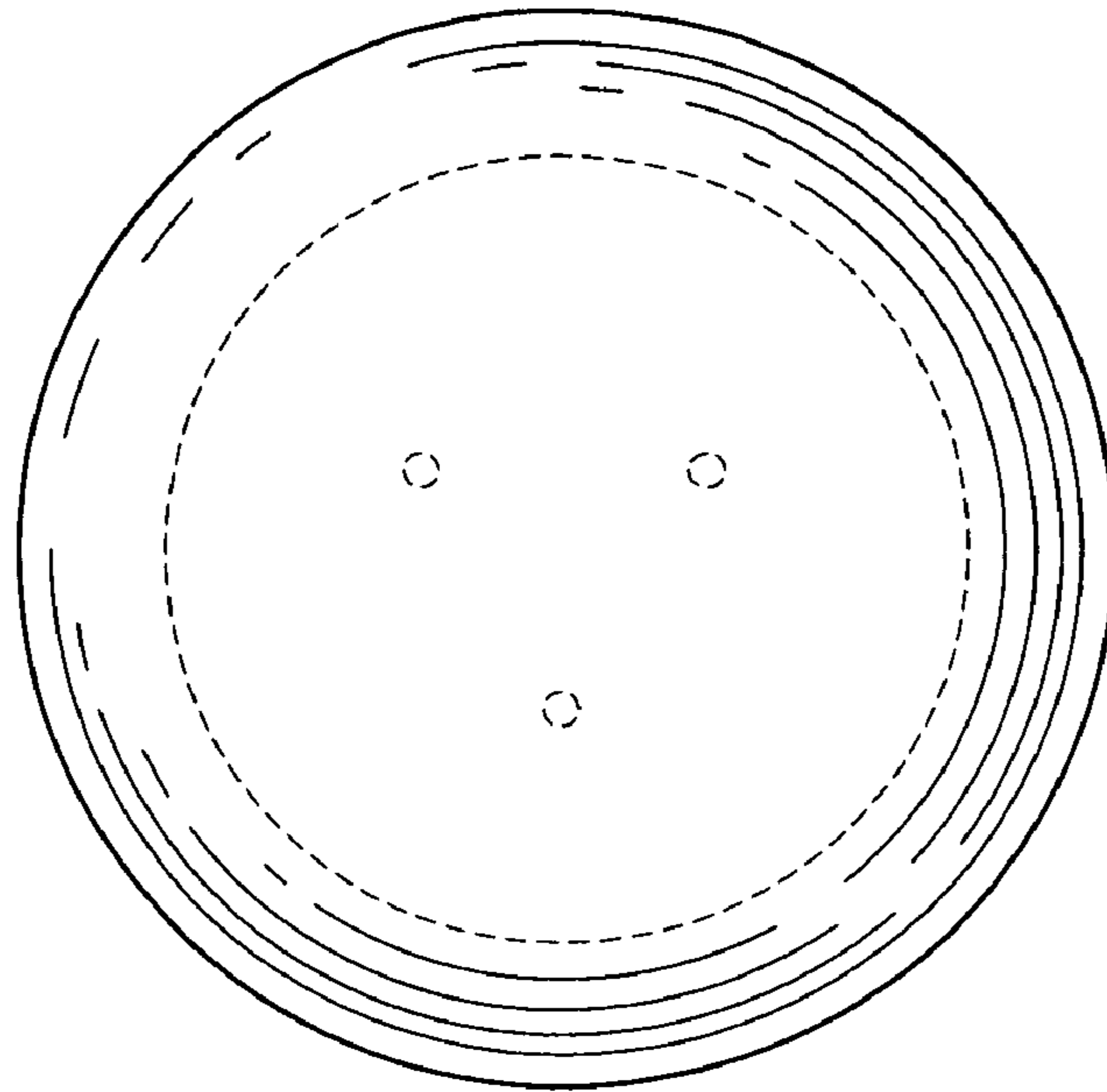


FIG. 3

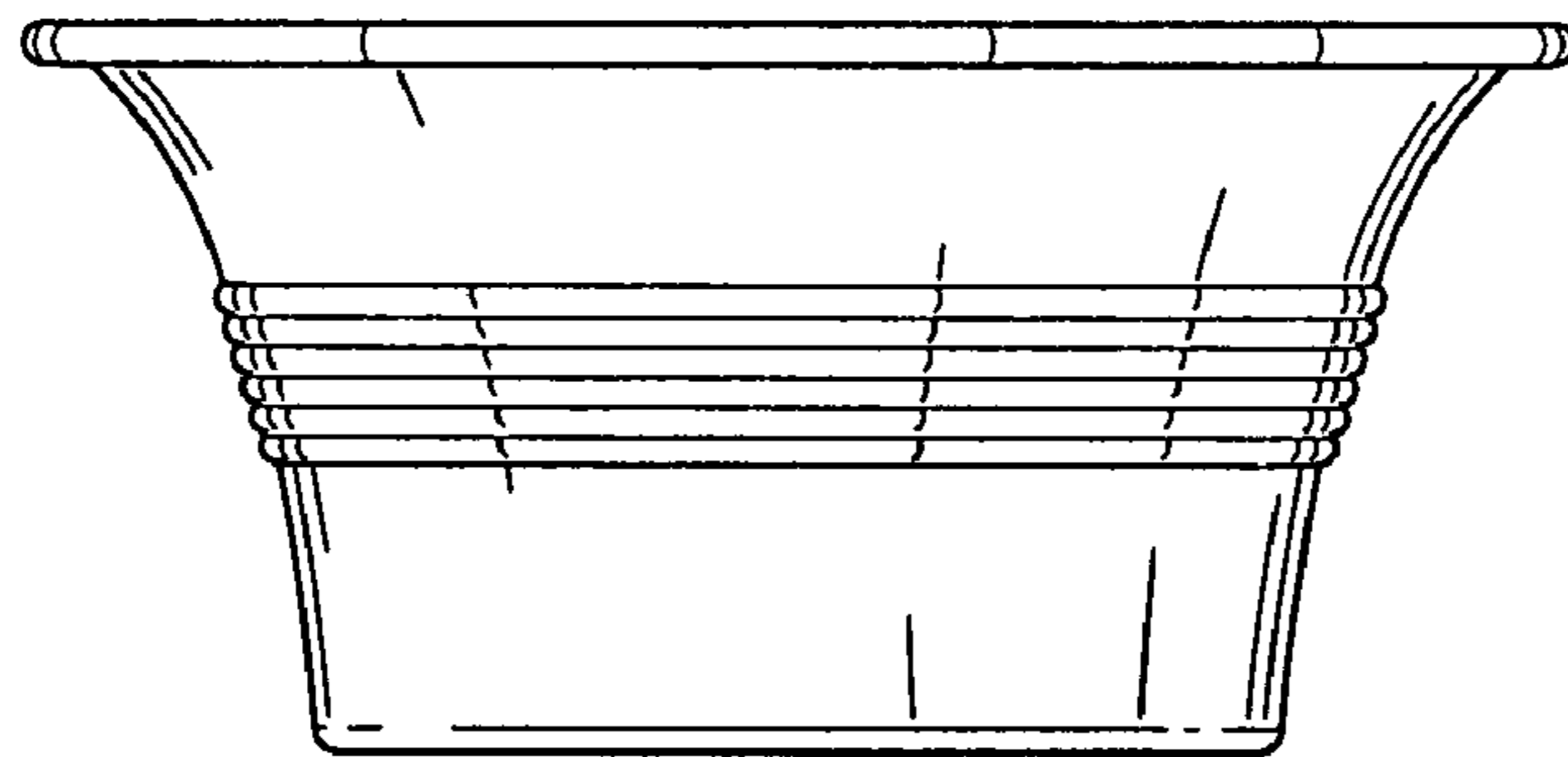


FIG. 2

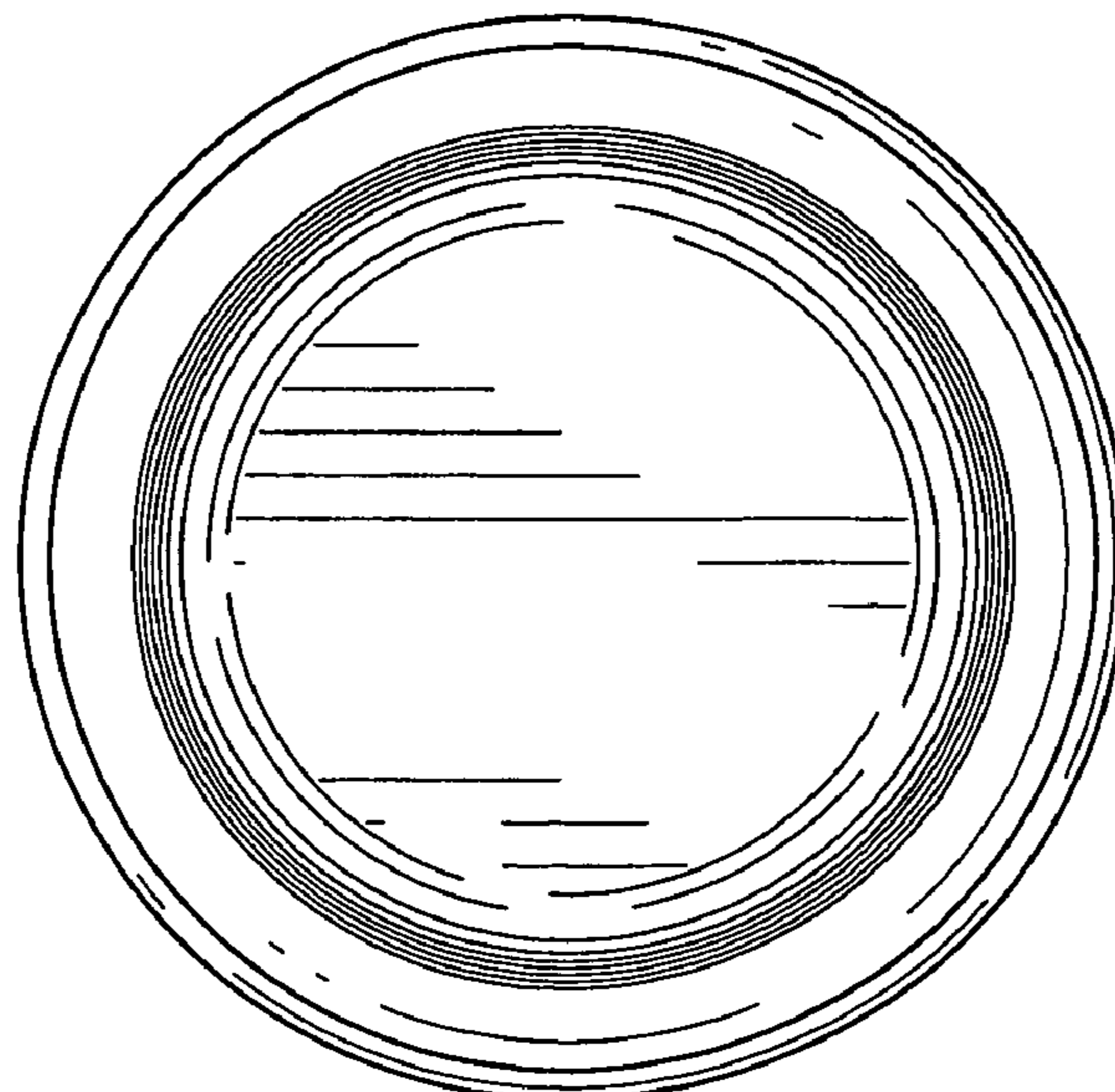


FIG. 4