



(12) **United States Design Patent**
Lee et al.

(10) **Patent No.:** **US D625,849 S**
(45) **Date of Patent:** **** Oct. 19, 2010**

- (54) **LIGHT EMITTING DIODE LAMP**
- (75) Inventors: **Jiann-Hung Lee**, Taipei County (TW);
Ming-Chih Huang, Taipei County (TW)
- (73) Assignee: **Cal-Comp Electronics & Communications Company Limited**,
Taipei County (TW)
- (**) Term: **14 Years**
- (21) Appl. No.: **29/355,402**
- (22) Filed: **Feb. 7, 2010**

D615,220 S *	5/2010	Crane et al.	D26/2
D616,574 S *	5/2010	Chen et al.	D26/2
D617,915 S *	6/2010	Wada et al.	D26/2
D617,919 S *	6/2010	Wada et al.	D26/2
D619,739 S *	7/2010	Hofmann et al.	D26/2

* cited by examiner

Primary Examiner—Marcus A Jackson
(74) *Attorney, Agent, or Firm*—Jianq Chyun IP Office

(57) **CLAIM**

The ornamental design for a light emitting diode lamp, as shown and described.

Related U.S. Application Data

- (63) Continuation-in-part of application No. 29/346,805, filed on Nov. 6, 2009, now Pat. No. Des. 613,887.
- (51) **LOC (9) Cl.** **26-04**
- (52) **U.S. Cl.** **D26/2**
- (58) **Field of Classification Search** D26/1-4;
313/313, 315, 316, 317, 318, 493; 315/52,
315/53, 56, 57, 58
See application file for complete search history.

DESCRIPTION

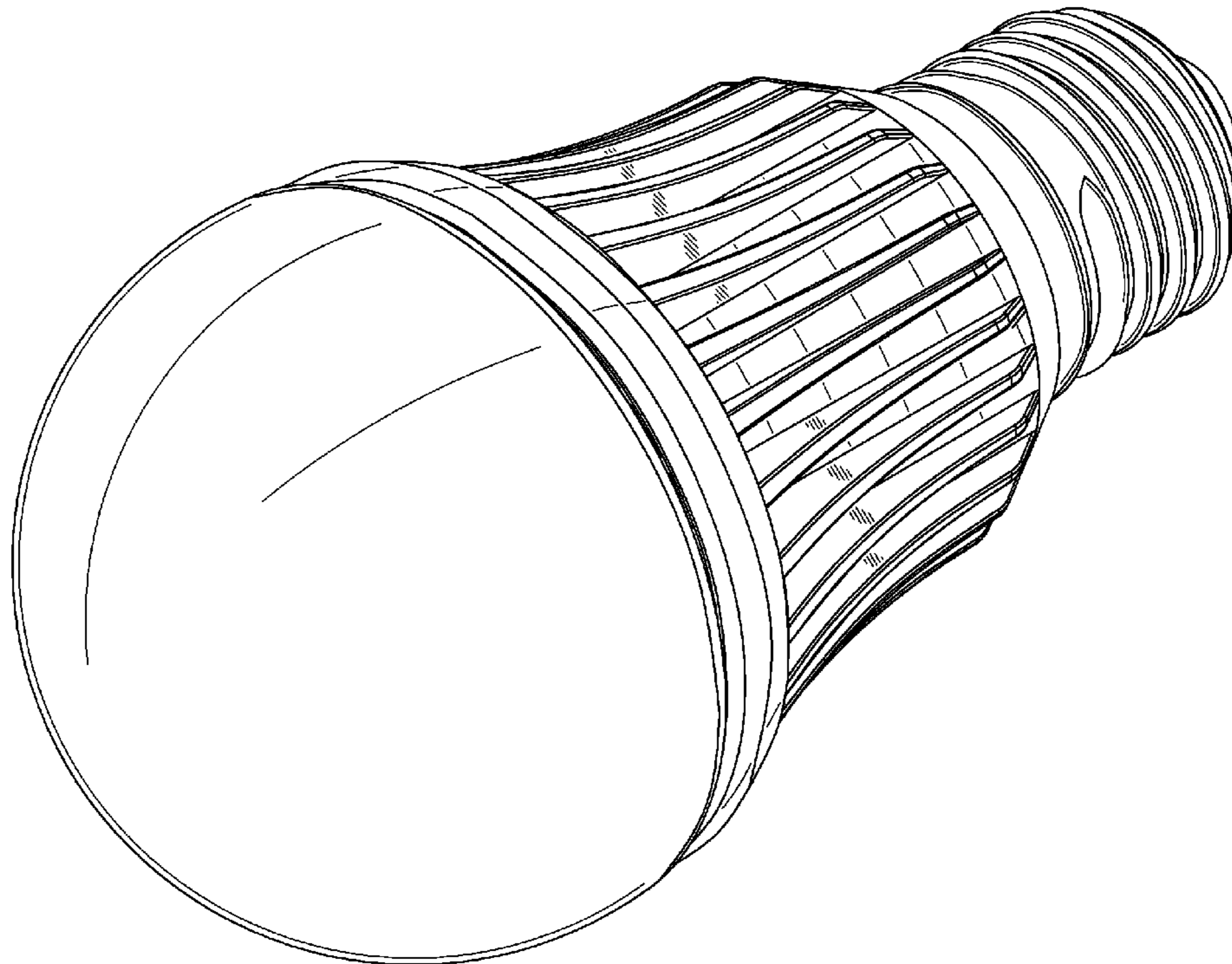
FIG. 1 is a perspective view of a light emitting diode lamp showing the new design;
 FIG. 2 is a front view thereof;
 FIG. 3 is a rear view thereof;
 FIG. 4 is a left side view thereof;
 FIG. 5 is a right side view thereof;
 FIG. 6 is a top view thereof;
 FIG. 7 is a bottom view thereof;
 FIG. 8 is a cross-sectional view taken along line 8—8 in FIG. 6 with internal structure omitted; and,
 FIG. 9 is another cross-sectional view taken along line 9—9 in FIG. 7 with internal structure omitted.

(56) **References Cited**

U.S. PATENT DOCUMENTS

D600,367 S *	9/2009	Bertram et al.	D26/2
D601,278 S *	9/2009	Takahashi	D26/2
D610,278 S *	2/2010	Lin et al.	D26/2
D613,887 S *	4/2010	Lee et al.	D26/2

1 Claim, 9 Drawing Sheets



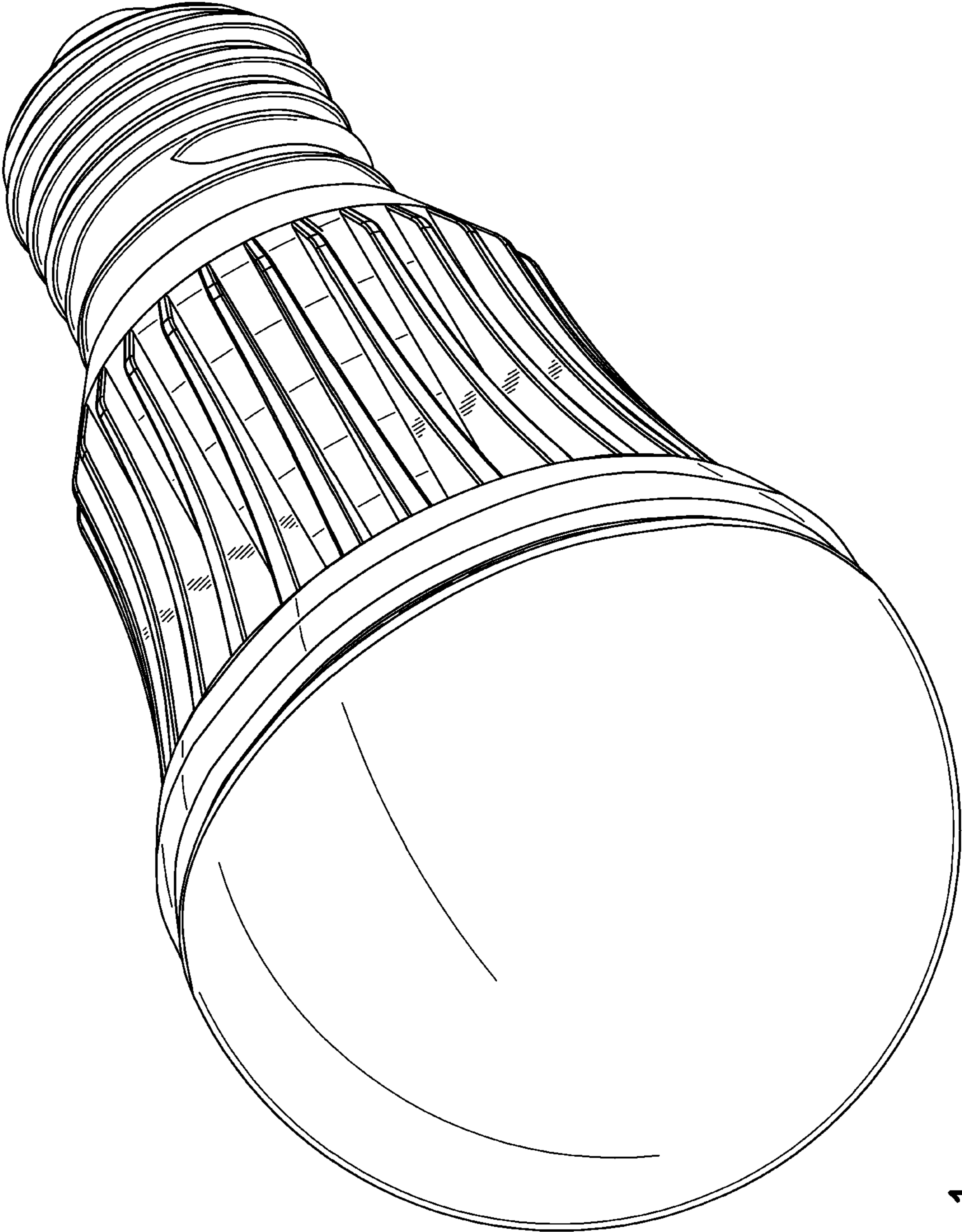


FIG. 1

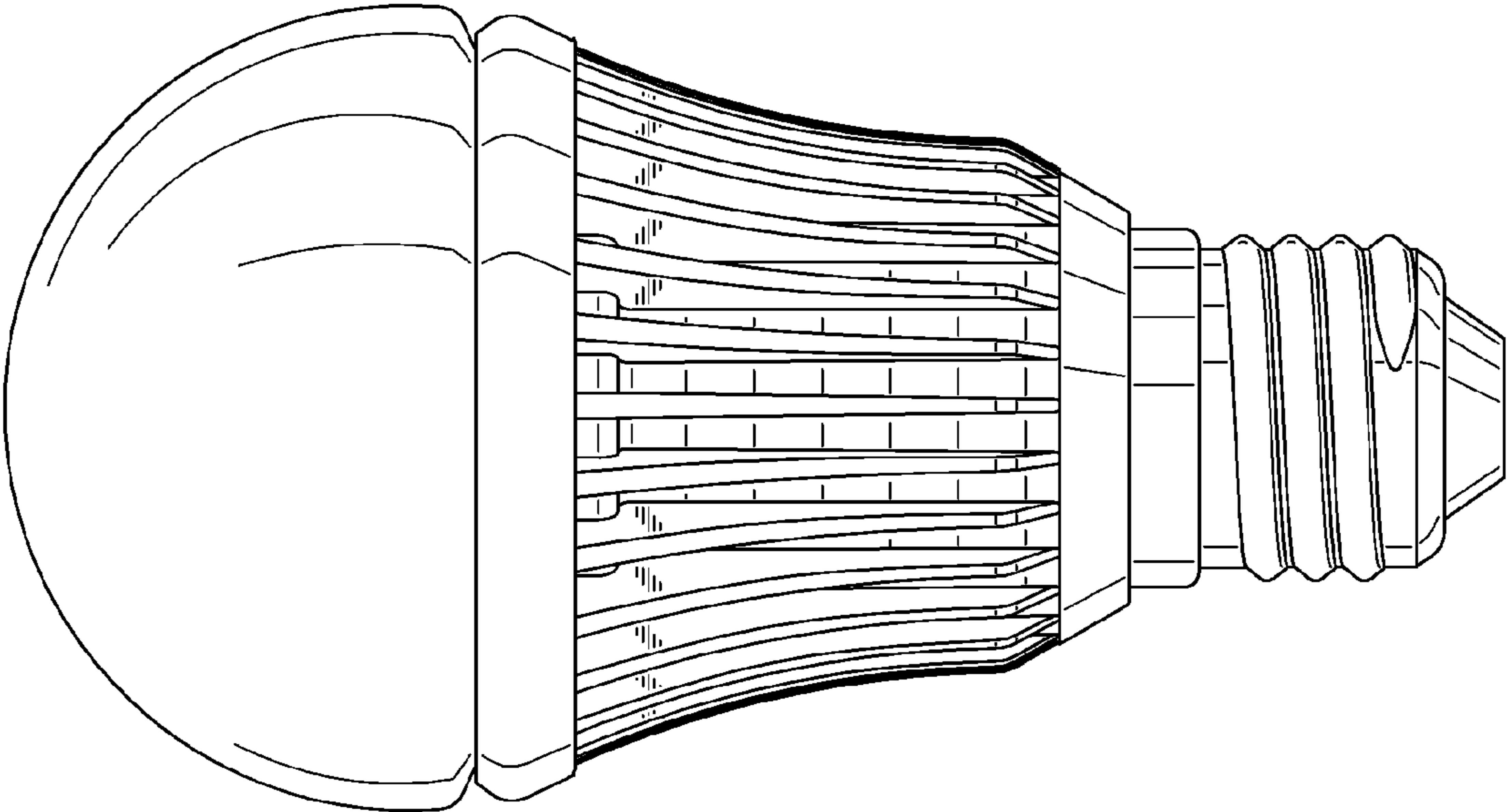


FIG. 2

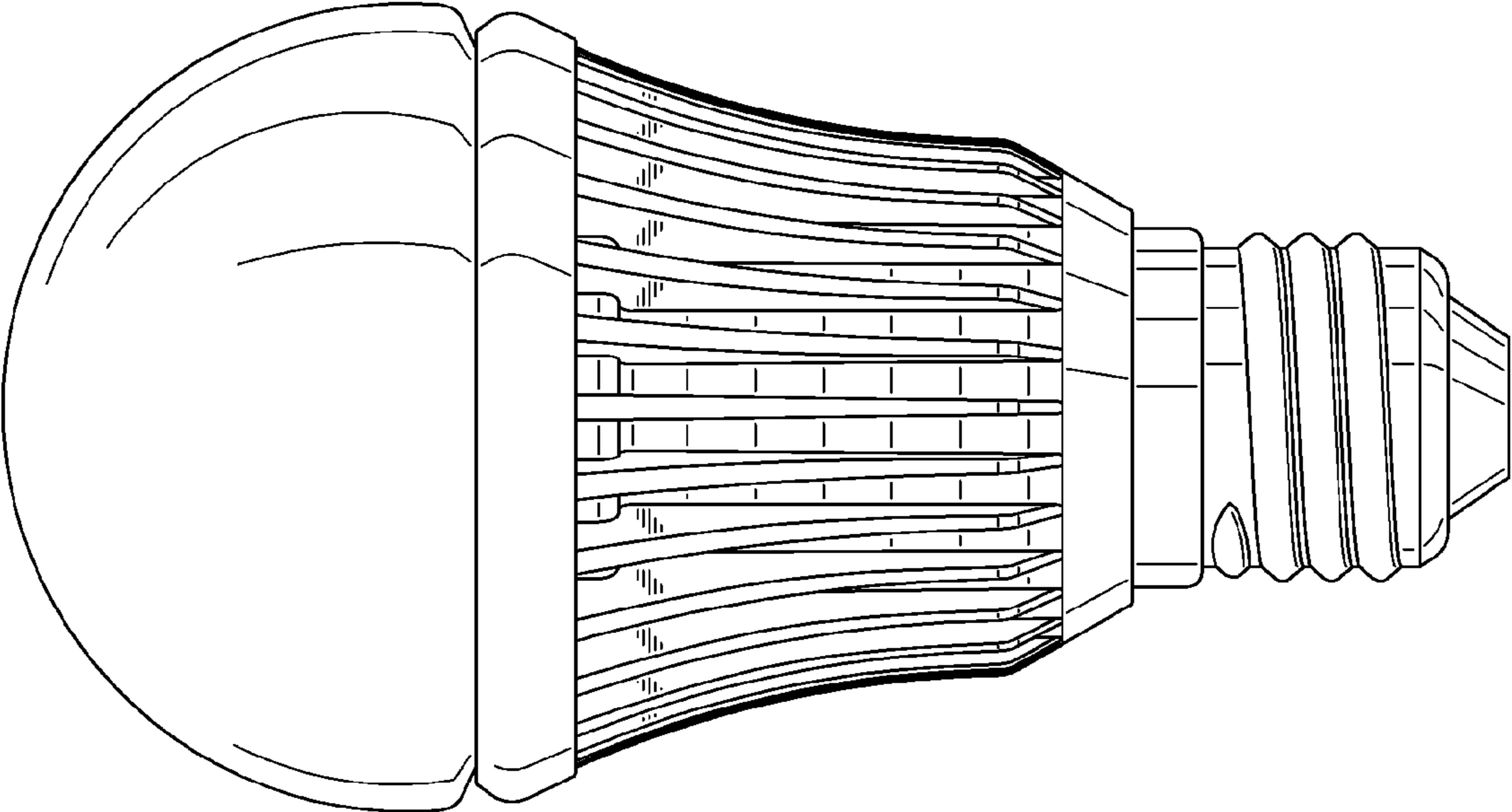


FIG. 3

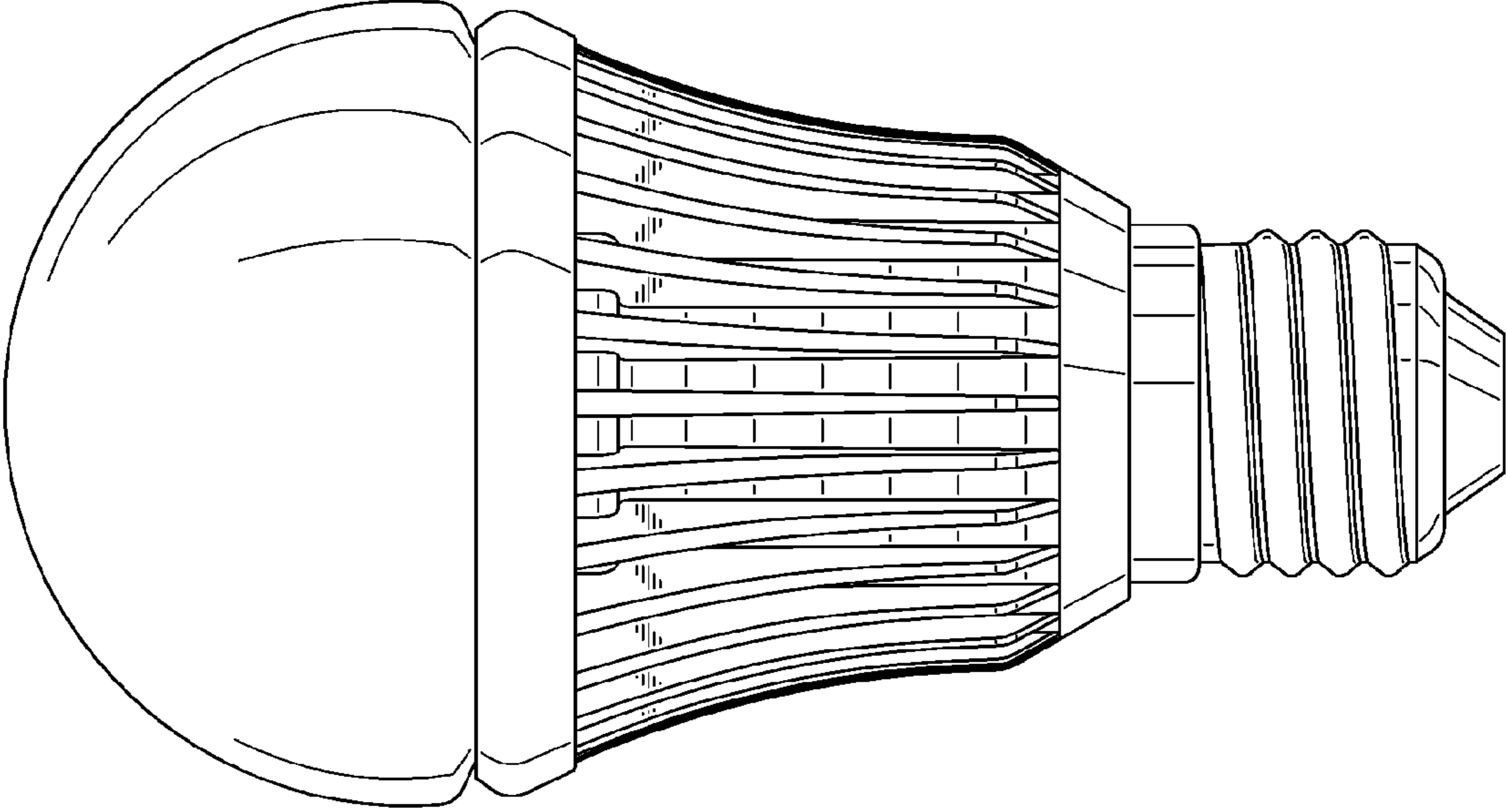


FIG. 4

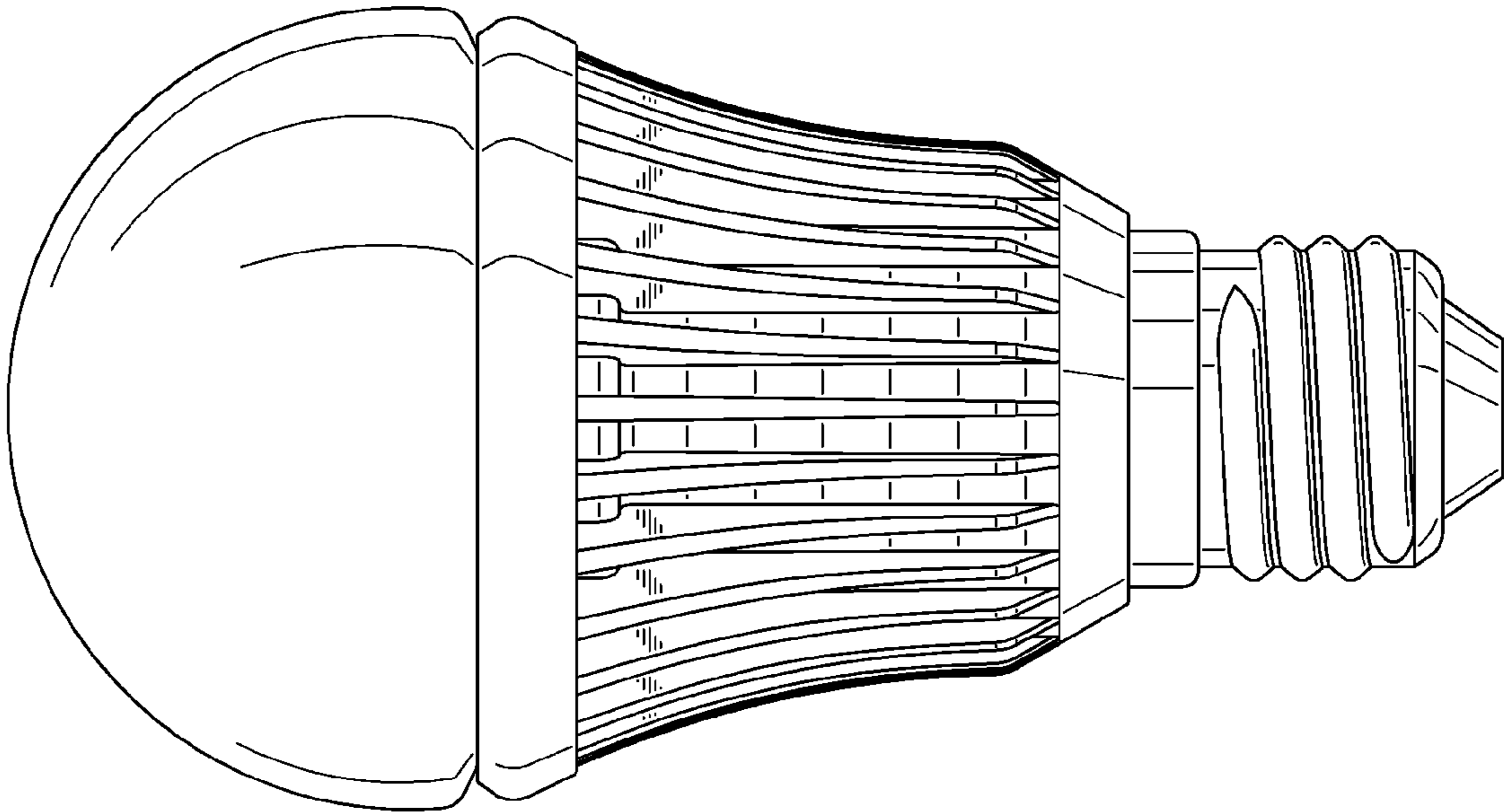


FIG. 5

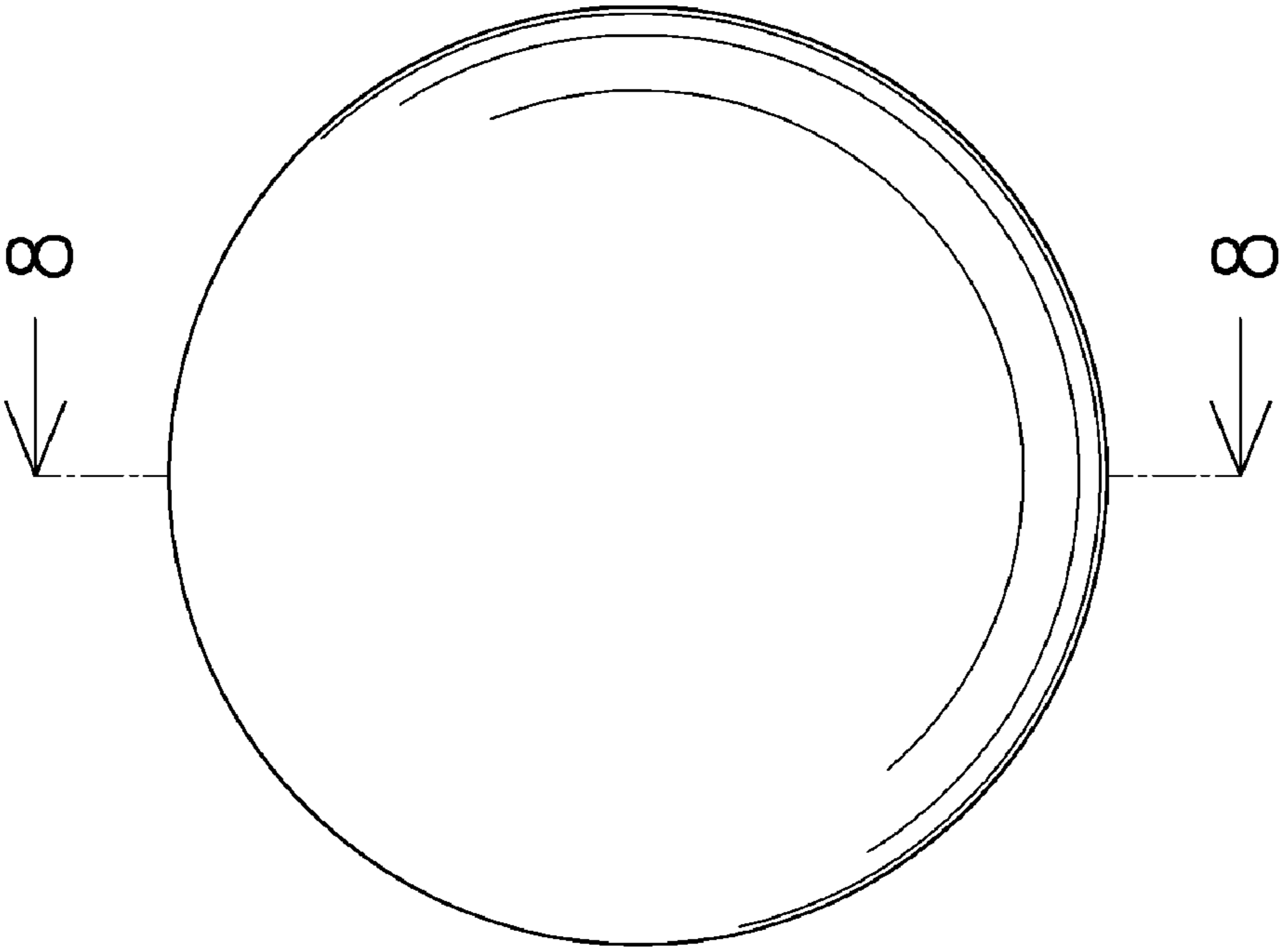


FIG. 6

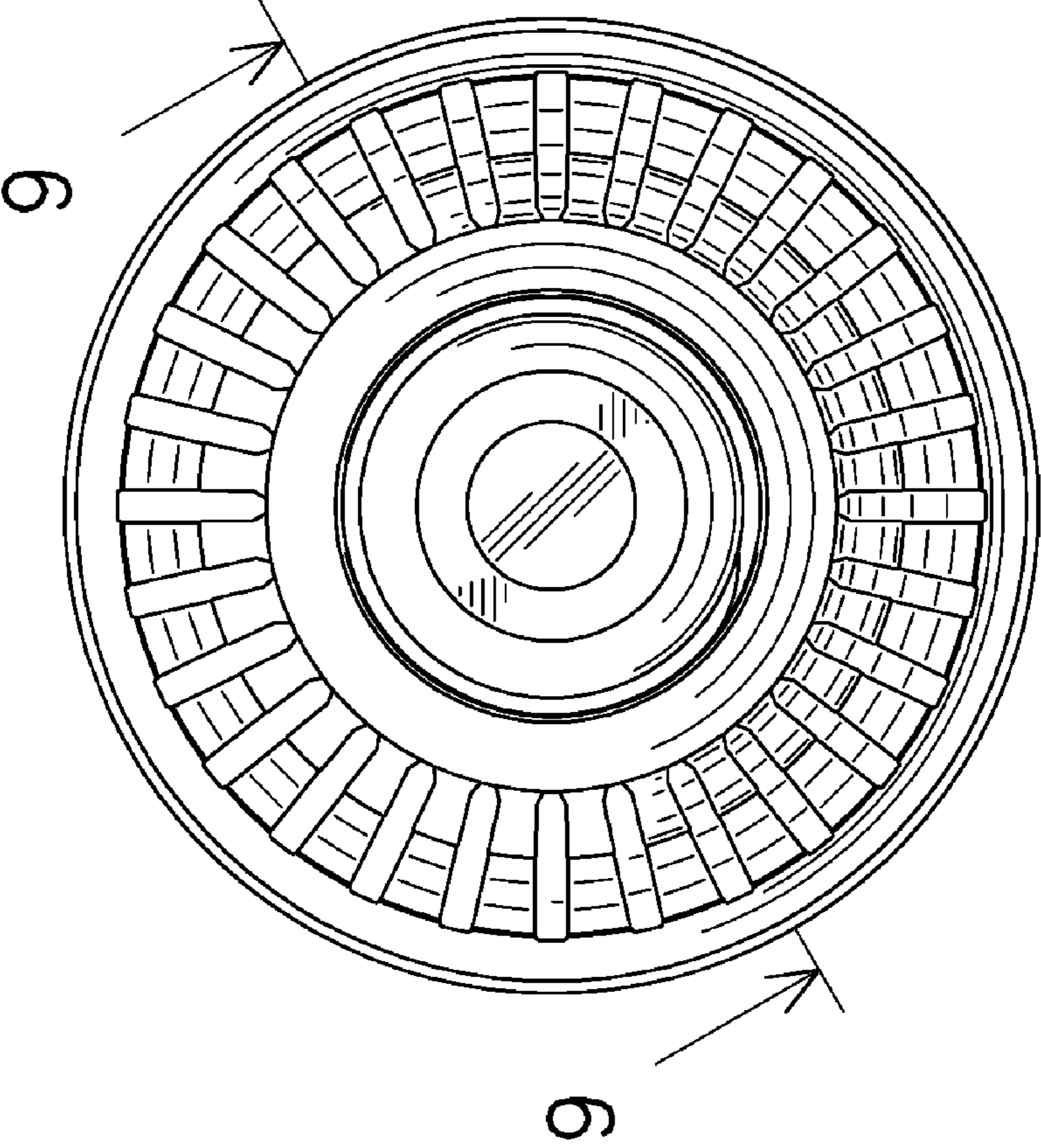


FIG. 7

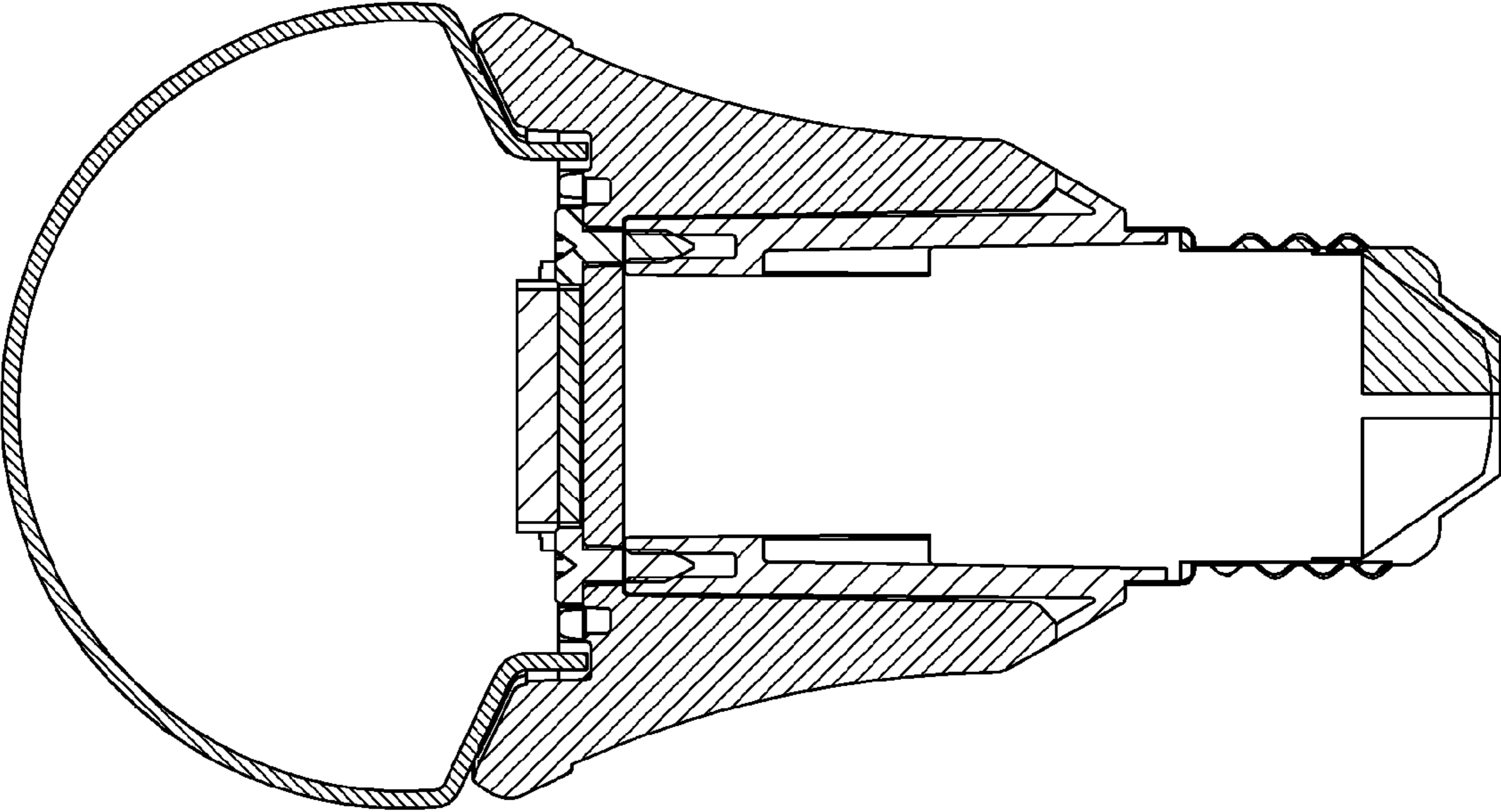


FIG. 8

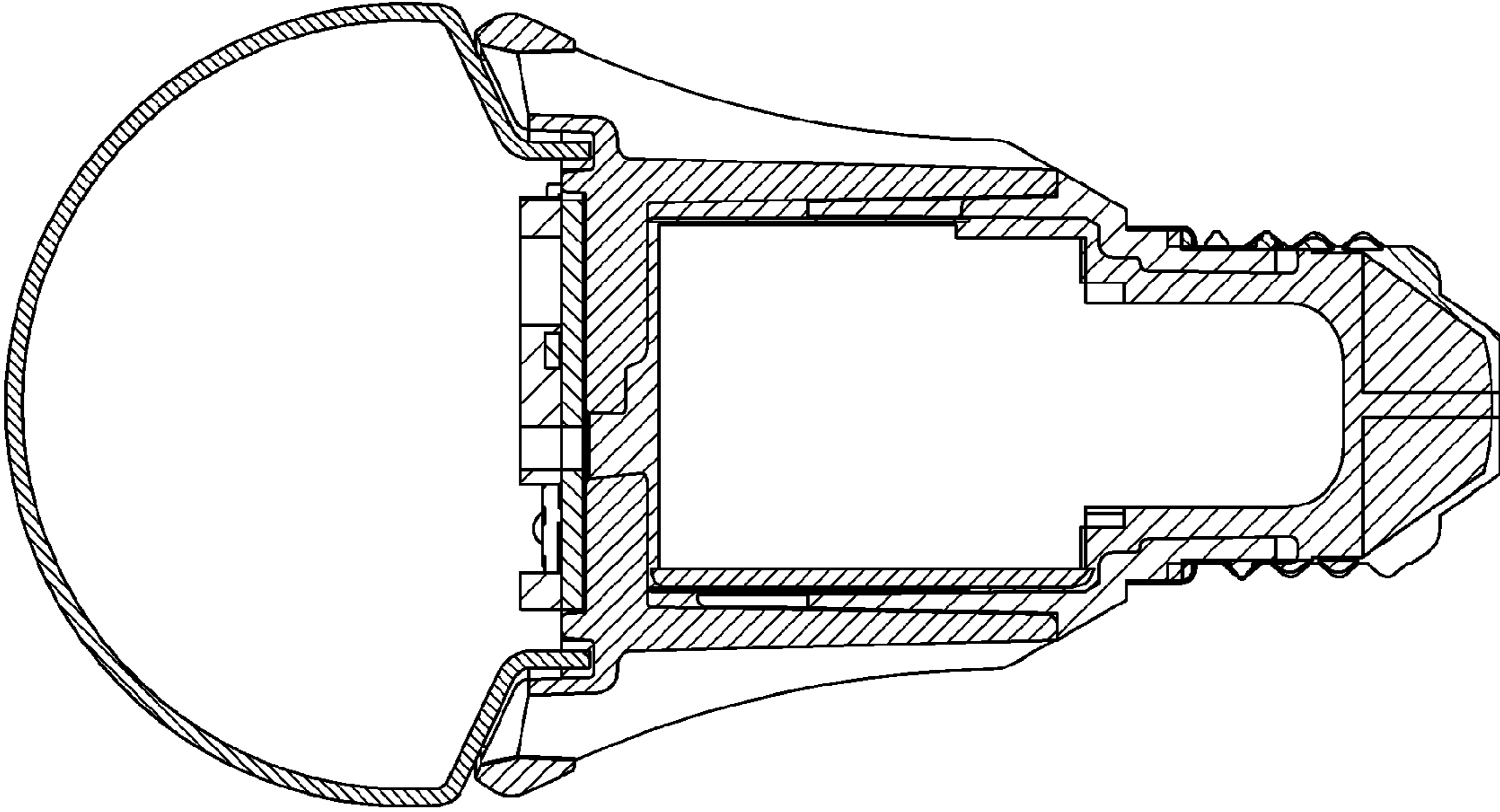


FIG. 9