



US00D625848S

(12) **United States Design Patent**
Zhang

(10) **Patent No.:** **US D625,848 S**

(45) **Date of Patent:** **** Oct. 19, 2010**

(54) **LED LAMP**

(75) Inventor: **Sumin Zhang**, Shenzhen (CN)

(73) Assignee: **Smalux Electrical Mfg. Ltd.**, Shenzhen (CN)

(**) Term: **14 Years**

(21) Appl. No.: **29/353,711**

(22) Filed: **Jan. 13, 2010**

(30) **Foreign Application Priority Data**

Jul. 13, 2009	(CN)	2009 3 0167235
Jul. 13, 2009	(CN)	2009 3 0167236
Jul. 13, 2009	(CN)	2009 3 0167237
Dec. 24, 2009	(CN)	2009 3 0289238

(51) **LOC (9) Cl.** **26-04**

(52) **U.S. Cl.** **D26/2**

(58) **Field of Classification Search** D26/1-4;
313/313, 315, 316, 317, 318, 493; 315/52,
315/53, 56, 57, 58

See application file for complete search history.

(56) **References Cited**

U.S. PATENT DOCUMENTS

D503,986 S * 4/2005 Yiu D26/2

D533,287 S * 12/2006 Pacheco D26/2

D533,288 S * 12/2006 Pacheco D26/2

D543,644 S * 5/2007 Bembridge D26/2

* cited by examiner

Primary Examiner—Marcus A Jackson

(74) *Attorney, Agent, or Firm*—Dovas Law, P.C.

(57) **CLAIM**

The ornamental design for an LED lamp, as shown and described.

DESCRIPTION

FIG. 1 is a front elevational view of an LED lamp showing my new design;

FIG. 2 is a rear elevational view thereof;

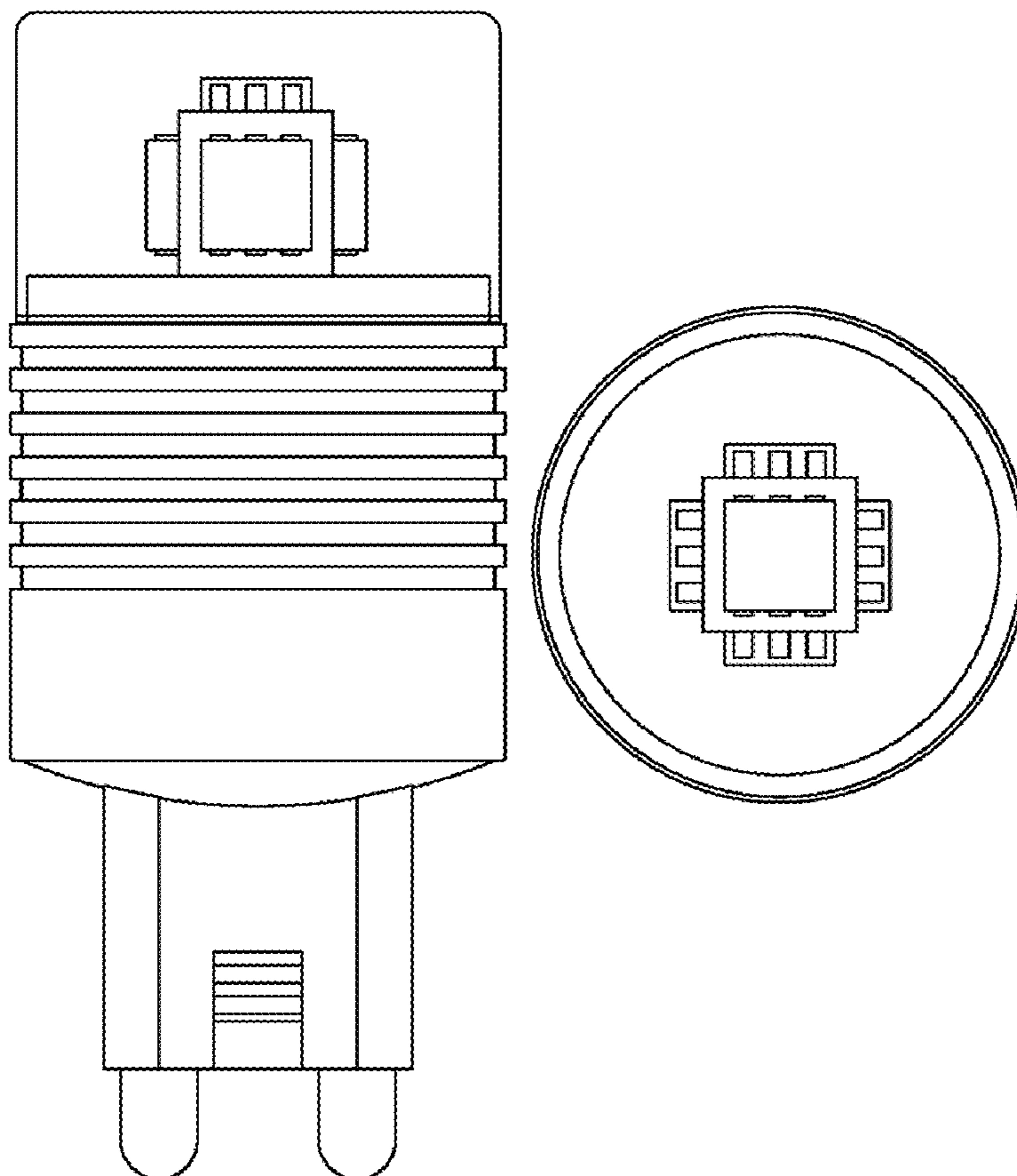
FIG. 3 is a first side elevational view thereof;

FIG. 4 is a second side elevational view thereof;

FIG. 5 is a top plan view thereof; and,

FIG. 6 is a bottom plan view thereof.

1 Claim, 6 Drawing Sheets



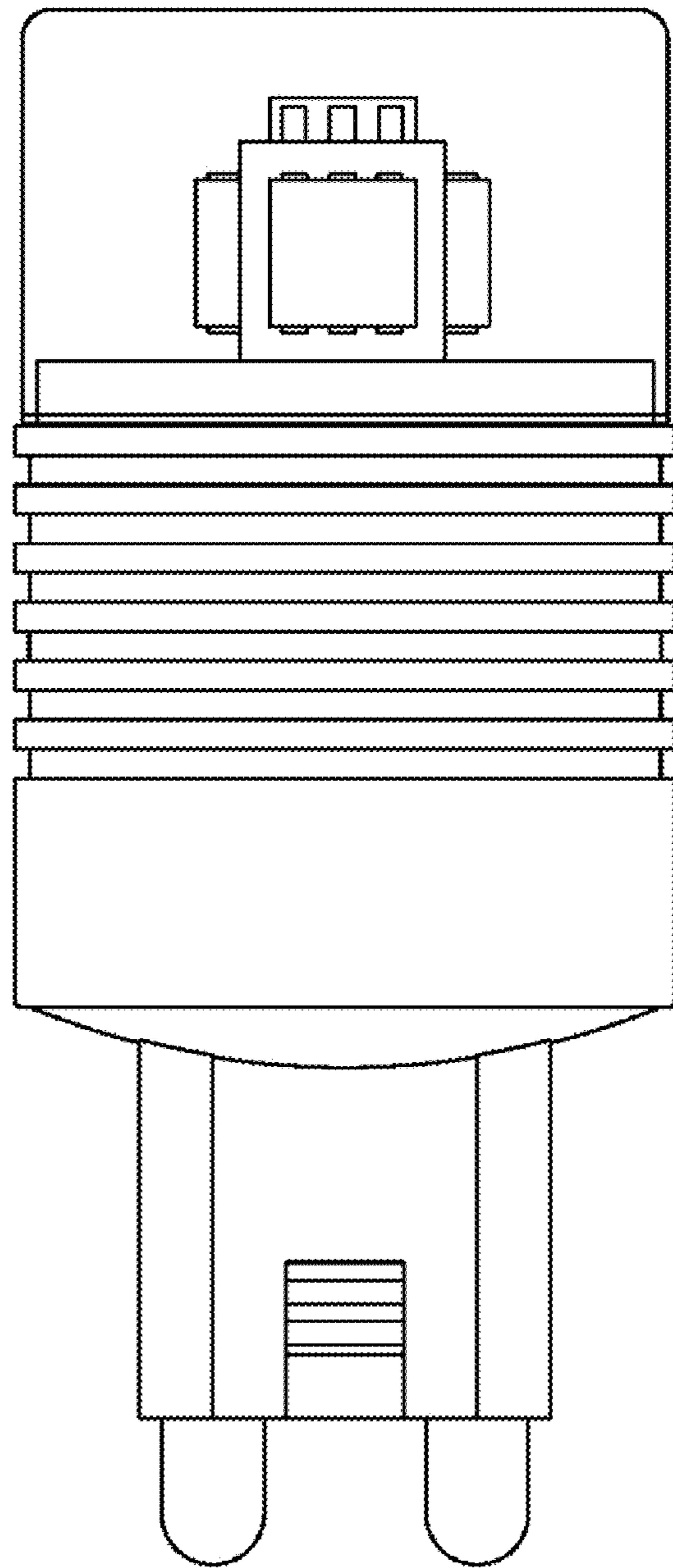


FIG. 1

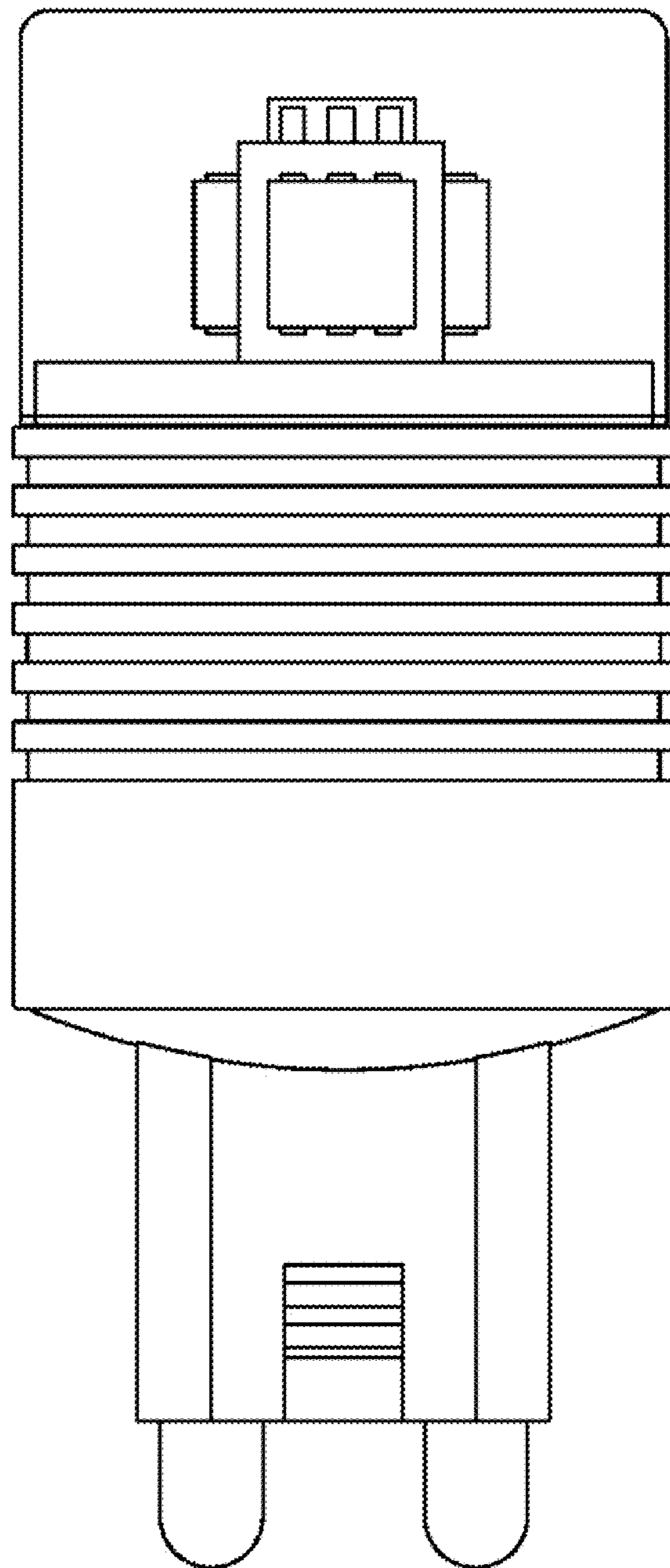


FIG. 2

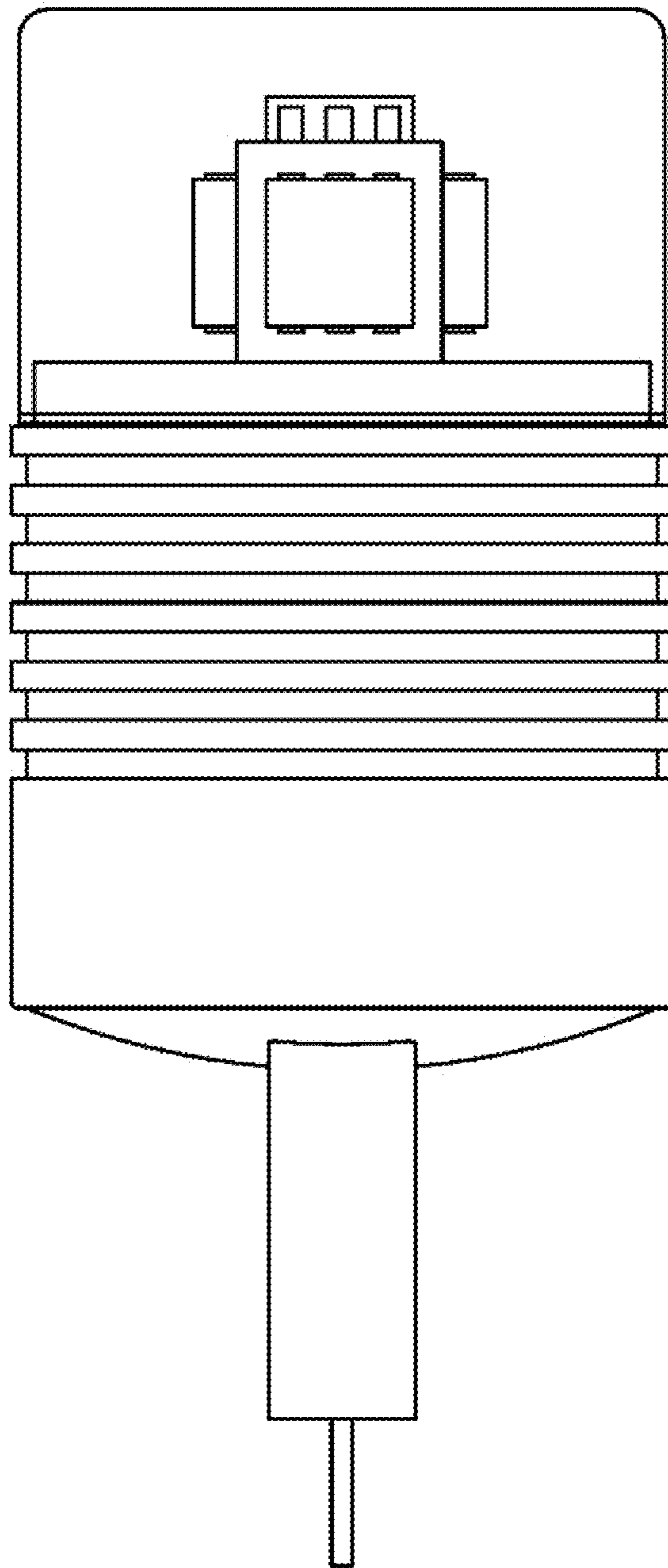


FIG. 3

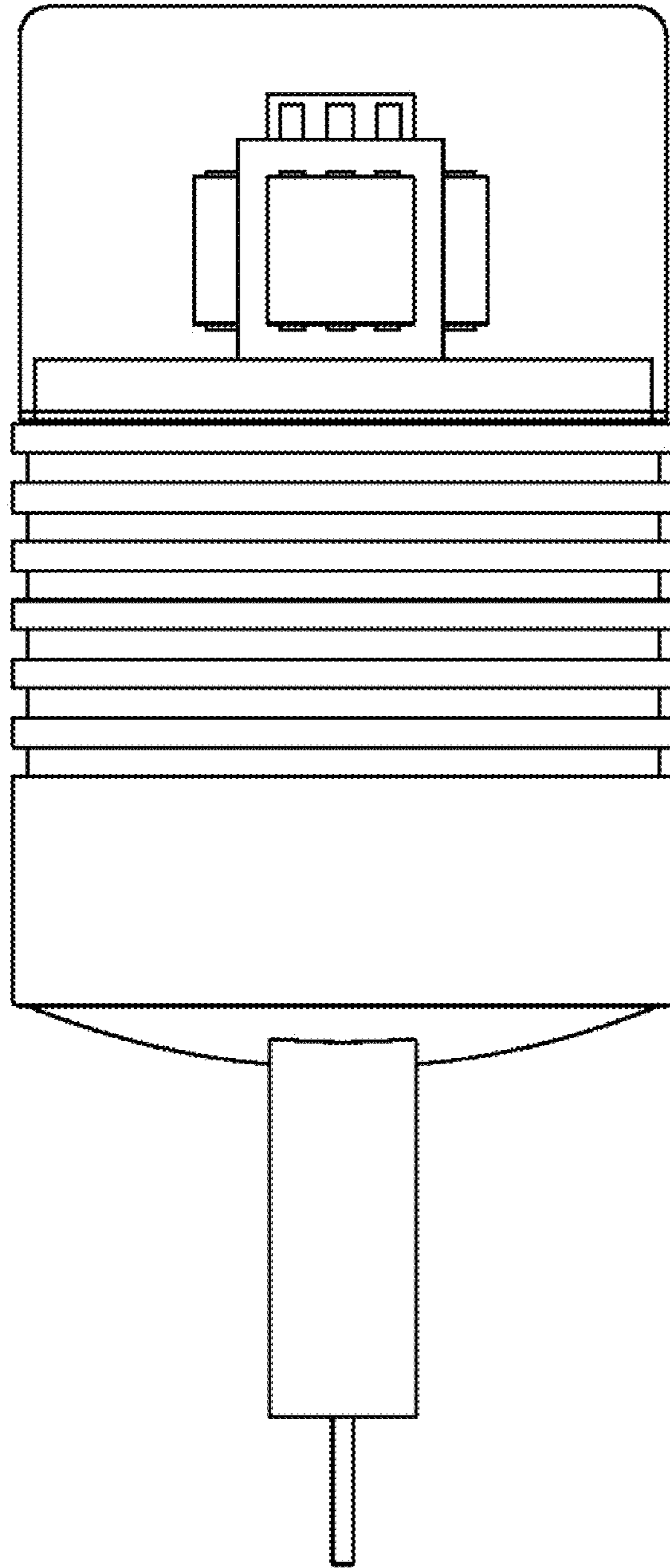


FIG. 4

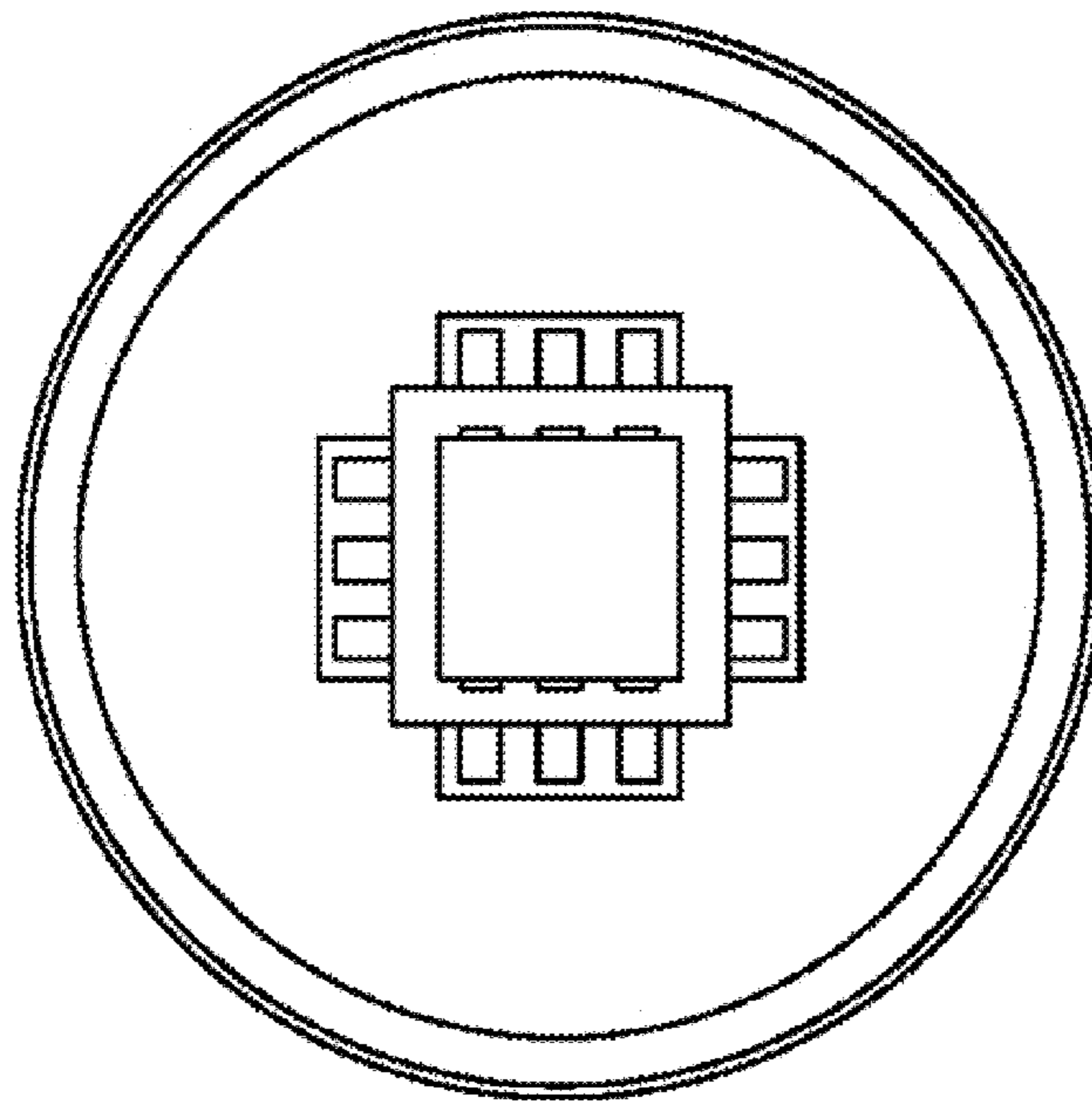


FIG. 5

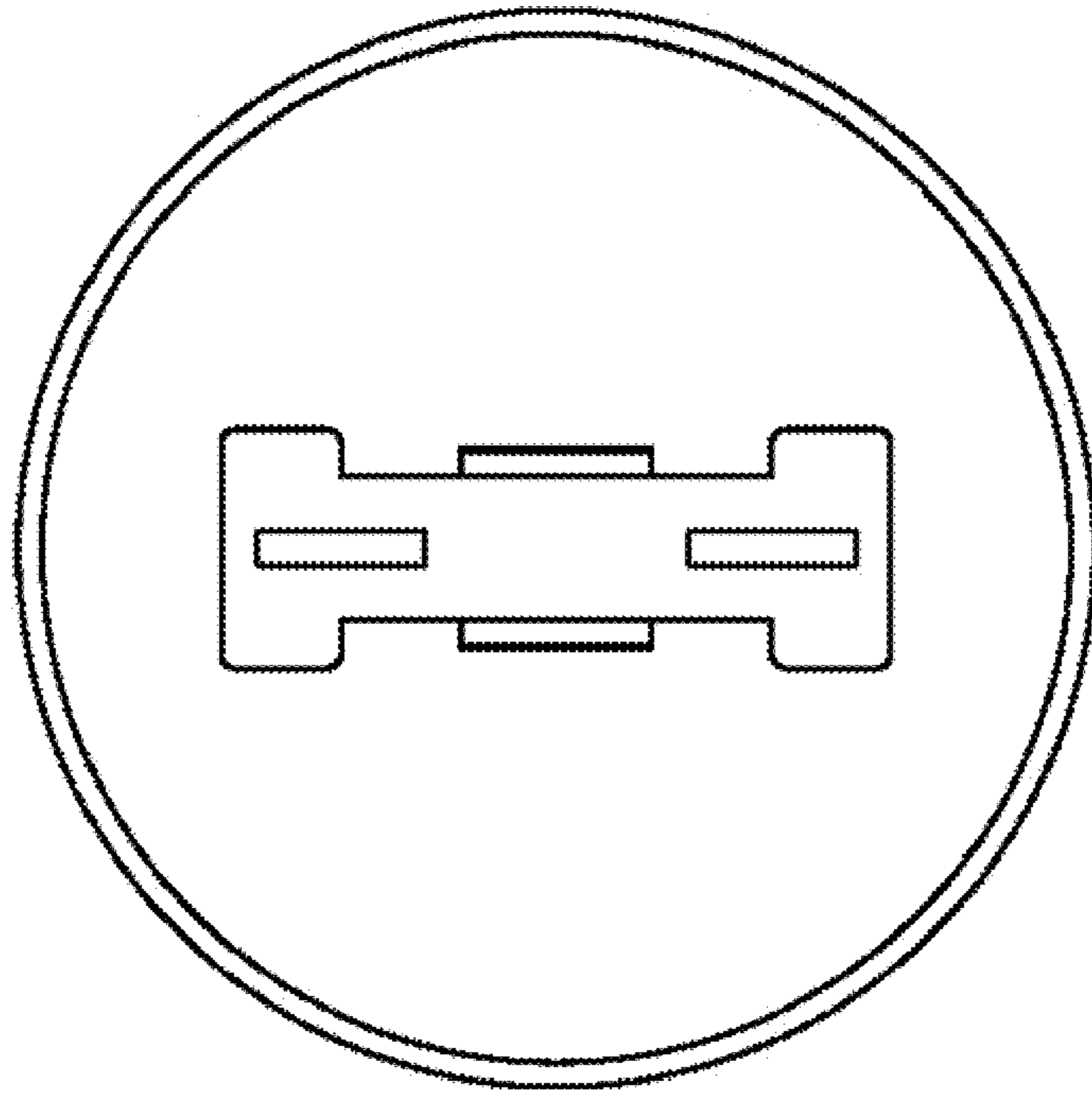


FIG. 6