

US00D625847S

(12) **United States Design Patent**  
**Maglica**

(10) **Patent No.:** **US D625,847 S**

(45) **Date of Patent:** **\*\* Oct. 19, 2010**

(54) **LED MODULE**

D578,672 S \* 10/2008 Takada et al. .... D26/1  
D600,836 S \* 9/2009 Hanley et al. .... D26/1

(75) Inventor: **Anthony Maglica**, Ontario, CA (US)

(73) Assignee: **Mag Instrument, Inc.**, Ontario, CA (US)

\* cited by examiner

*Primary Examiner*—Marcus A Jackson  
(74) *Attorney, Agent, or Firm*—Jones Day

(\*\*) Term: **14 Years**

(21) Appl. No.: **29/322,636**

(57) **CLAIM**

(22) Filed: **Aug. 7, 2008**

The ornamental design for an LED module, as shown and described.

(51) **LOC (9) Cl.** ..... **26-06**

(52) **U.S. Cl.** ..... **D26/1**

(58) **Field of Classification Search** ..... D26/1;  
313/313, 315, 316, 317, 318, 493; 315/52,  
315/53, 56, 57, 58

See application file for complete search history.

**DESCRIPTION**

FIG. 1 is a top perspective view of the light emitting diode (“LED”) module showing my new design;

FIG. 2 is a first side elevational view thereof;

FIG. 3 is a second side elevational view thereof; and,

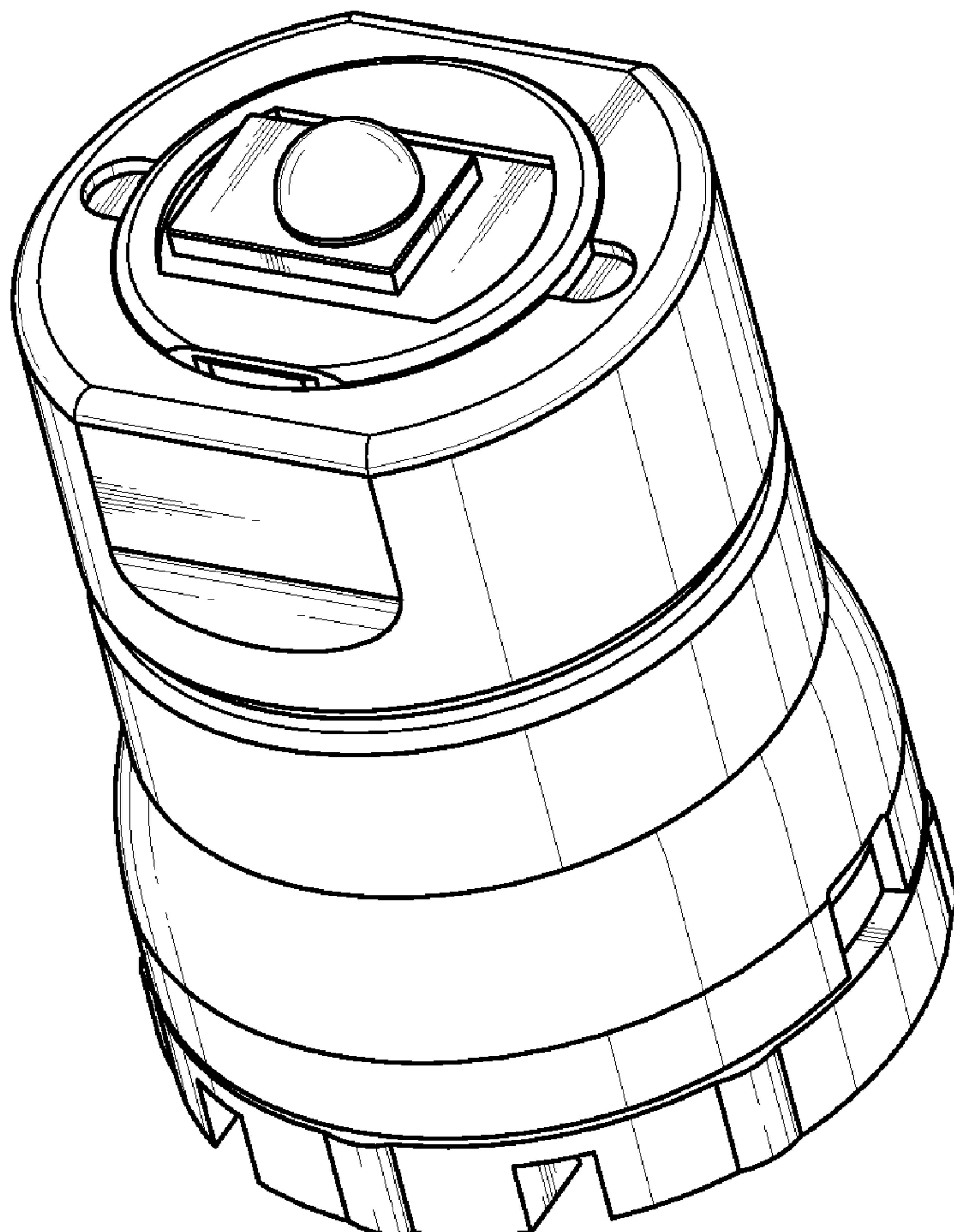
FIG. 4 is a top plan view thereof.

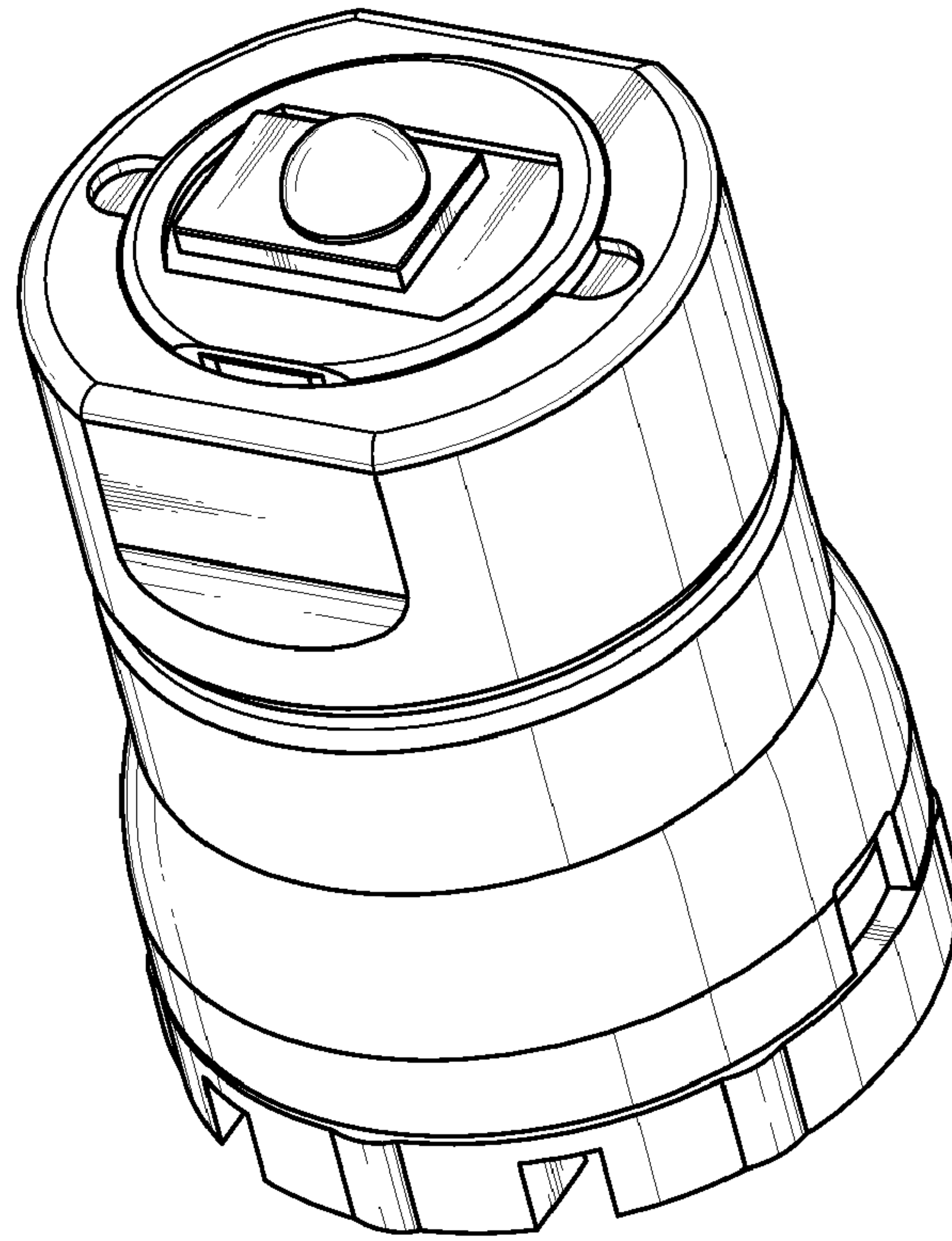
(56) **References Cited**

**U.S. PATENT DOCUMENTS**

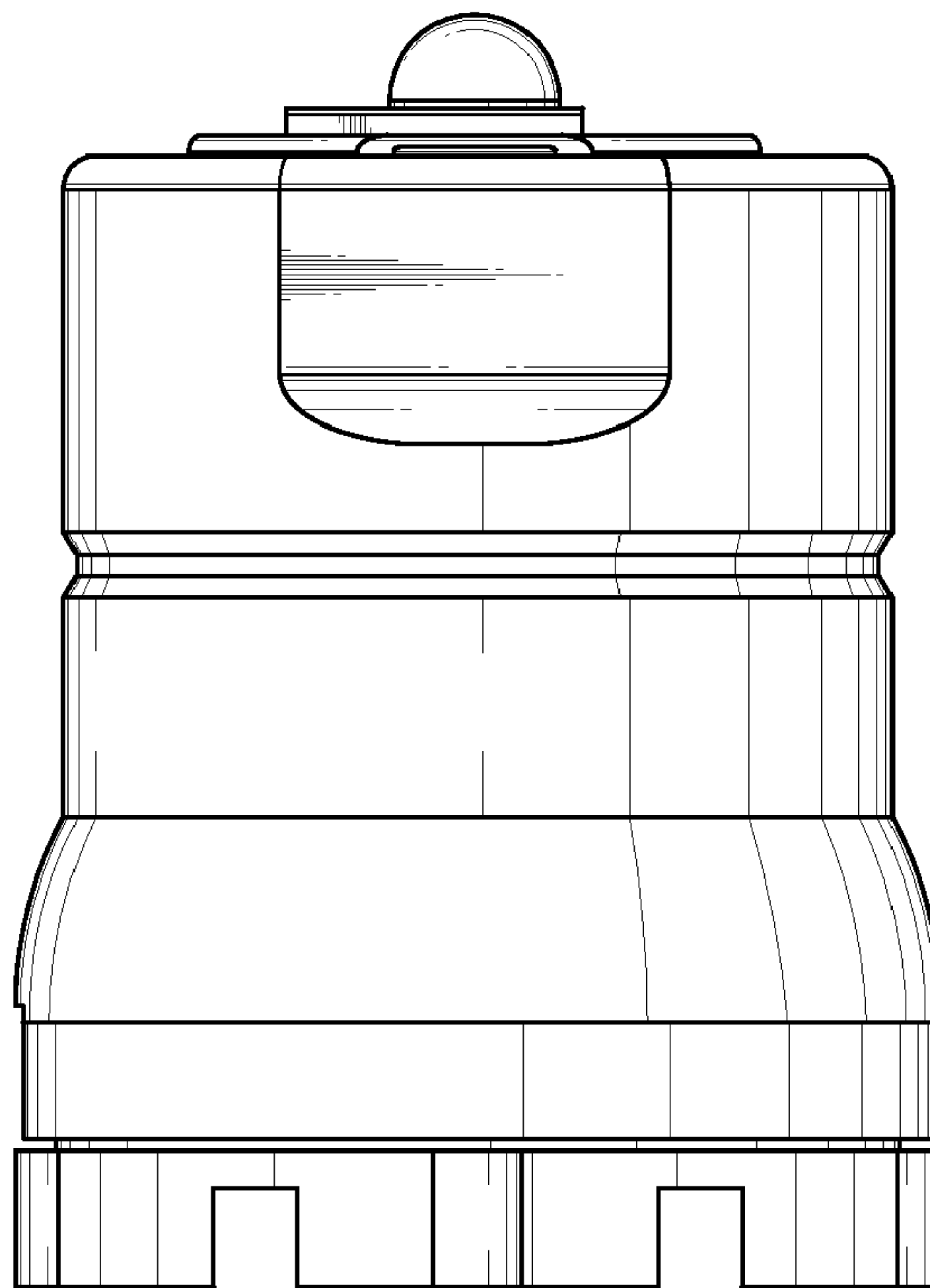
D508,291 S \* 8/2005 Janssen ..... D26/1

**1 Claim, 2 Drawing Sheets**

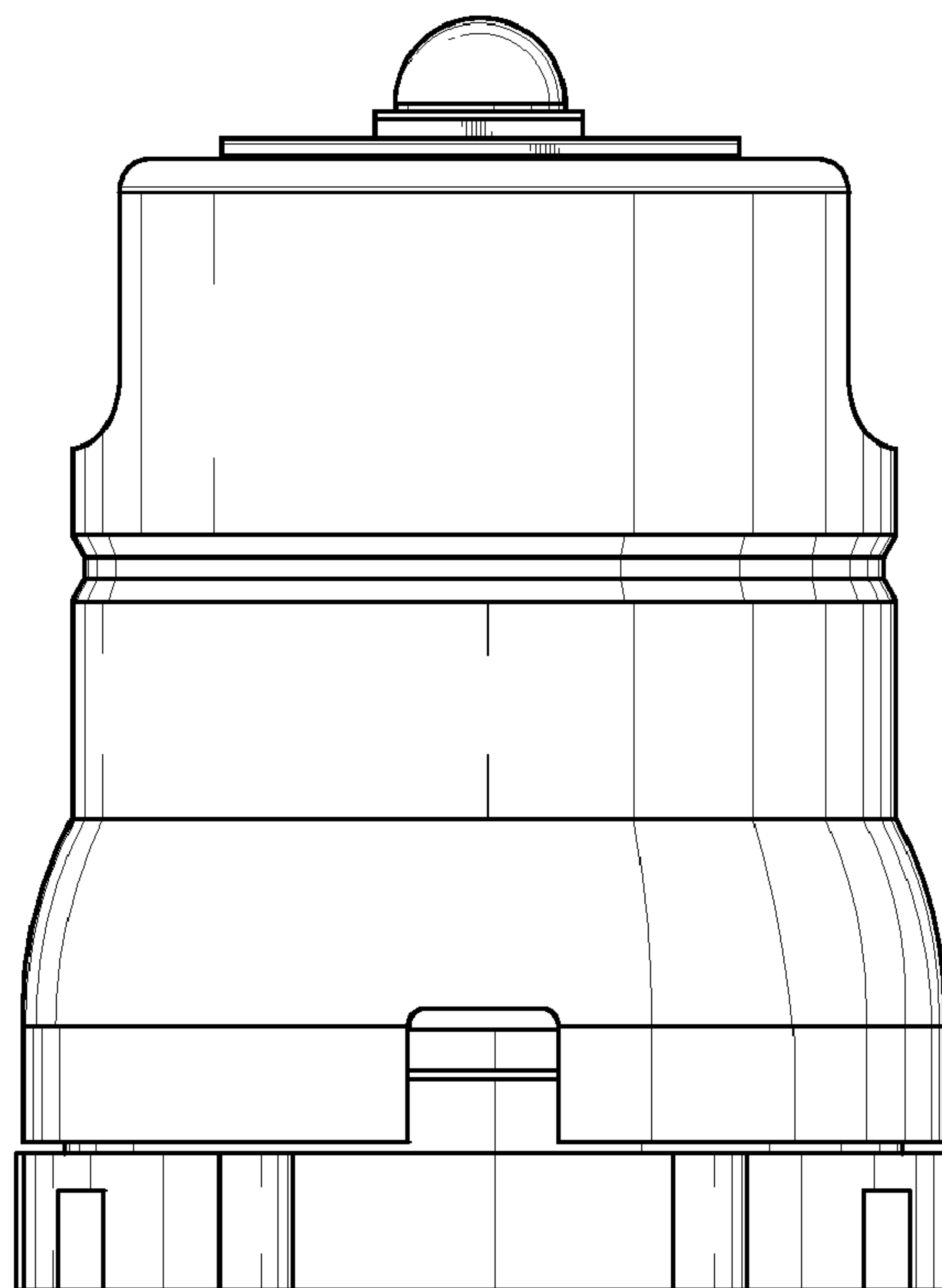




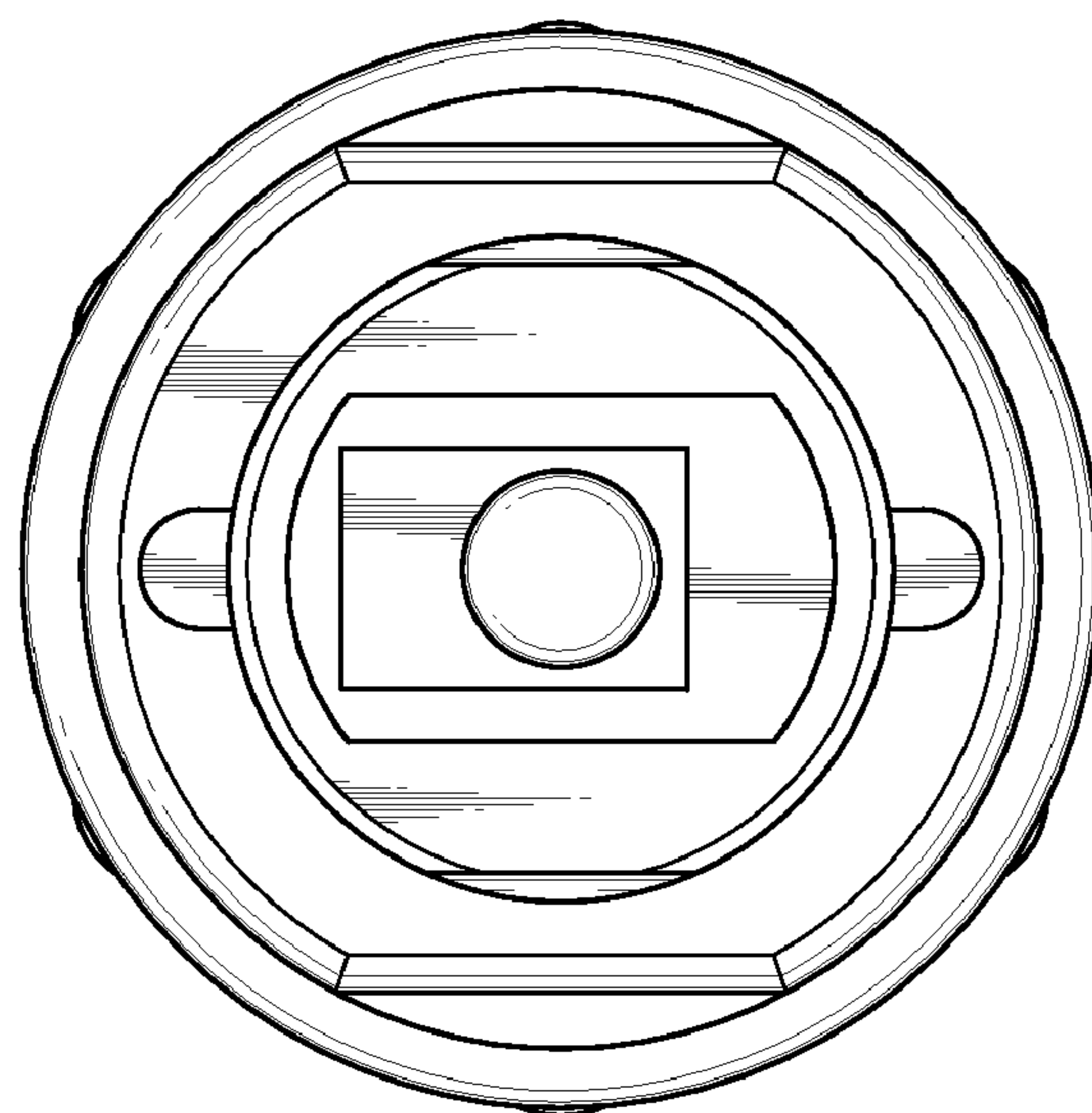
*FIG. 1*



*FIG. 2*



*FIG. 3*



*FIG. 4*