

US00D625845S

(12) **United States Design Patent**
Shanes et al.

(10) **Patent No.:** **US D625,845 S**
(45) **Date of Patent:** **** Oct. 19, 2010**

(54) **FRONT PORTION OF A HIP, RIDGE OR
RAKE ROOFING SHINGLE**

(75) Inventors: **Larry Wayne Shanes**, Wake Forest, NC
(US); **Thomas Kevin MacKinnon**,
Daniel Island, SC (US)

(73) Assignee: **CertainTeed Corporation**, Valley Forge,
PA (US)

(**) Term: **14 Years**

(21) Appl. No.: **29/358,107**

(22) Filed: **Mar. 23, 2010**

Related U.S. Application Data

(62) Division of application No. 29/324,897, filed on Sep.
23, 2008, now Pat. No. Des. 617,913.

(51) **LOC (9) Cl.** **25-99**

(52) **U.S. Cl.** **D25/139**

(58) **Field of Classification Search** D25/139,
D25/140, 150, 163, 141; 52/314, 518, 546-547,
52/557

See application file for complete search history.

(56) **References Cited**

U.S. PATENT DOCUMENTS

1,387,235	A *	8/1921	Burkhardt	52/276
2,259,962	A *	10/1941	Owen	52/276
4,015,374	A *	4/1977	Epstein et al.	52/57
4,187,650	A *	2/1980	Poplin	52/57
4,439,955	A *	4/1984	Freiborg	52/57
4,835,929	A *	6/1989	Bondoc et al.	52/518
4,907,499	A	3/1990	James		
4,924,761	A *	5/1990	MacLeod et al.	454/365

(Continued)

OTHER PUBLICATIONS

Tamko, Lamarite Slate Composite Shingles Applications Instruc-
tions and Limited Warranty, pp. 1-13, www.tamko.com, www.
lamarite.com, Joplin, Missouri, USA.

Primary Examiner—T. Chase Nelson
Assistant Examiner—Kathleen M Sims
(74) *Attorney, Agent, or Firm*—Paul & Paul

(57) **CLAIM**

The ornamental design for a front portion of a hip, ridge or
rake roofing shingle, as shown and described.

DESCRIPTION

FIG. 1 is a front, top and left side perspective view of a front
portion of a hip, ridge or rake roofing shingle showing our
new design;

FIG. 2 is a rear, top and right side perspective view thereof;

FIG. 3 is a right side elevational view thereof; the left side is
a mirror image thereof;

FIG. 4 is a front elevational view thereof;

FIG. 5 is a rear elevational view thereof;

FIG. 6 is a top view thereof;

FIG. 7 is a bottom view thereof; and

FIG. 8 is a front, top and left side perspective view of a
second embodiment of a front portion of a hip, ridge or rake
roofing shingle;

FIG. 9 is a rear, top and right side perspective view thereof;

FIG. 10 is right side elevational view thereof; the left side is a
mirror image thereof;

FIG. 11 a front elevational view thereof;

FIG. 12 is a rear elevational view thereof;

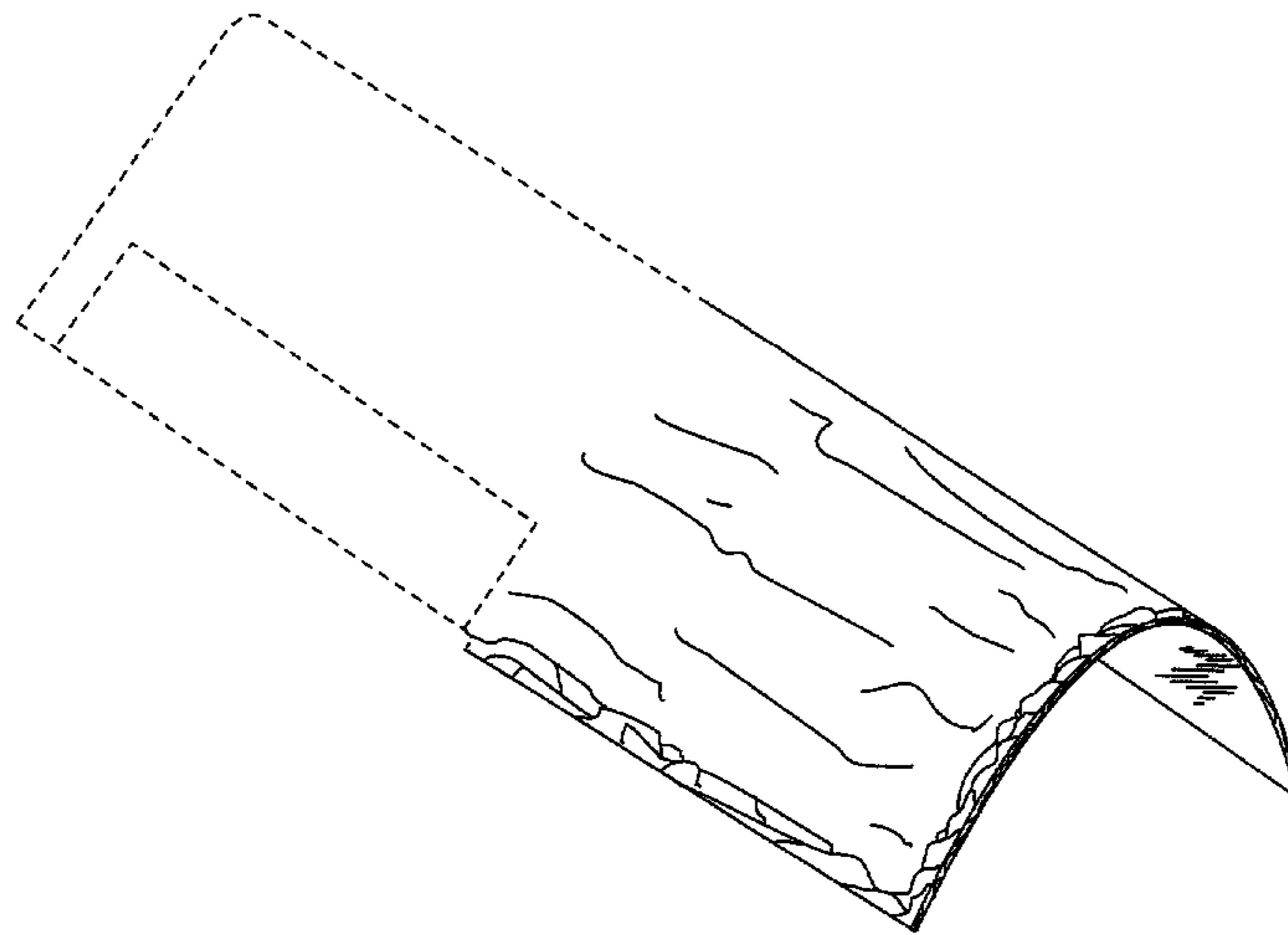
FIG. 13 is a top view thereof; and,

FIG. 14 is a bottom view thereof.

The broken lines depict environment only and do not form
any part of the claimed design.

The irregular lines on the top, right, left and edge surfaces are
to illustrate surface irregularities generally.

1 Claim, 12 Drawing Sheets



US D625,845 S

Page 2

U.S. PATENT DOCUMENTS

5,052,162	A	10/1991	Bush et al.	6,351,913	B1	3/2002	Freiborg et al.
5,095,810	A	3/1992	Robinson	6,361,434	B1 *	3/2002	Brandon 454/365
5,247,771	A	9/1993	Poplin	6,418,692	B1	7/2002	Freshwater et al.
5,271,201	A	12/1993	Noone et al.	6,470,642	B1	10/2002	Eads
5,295,340	A	3/1994	Collins	6,725,609	B2	4/2004	Freiborg et al.
5,365,711	A *	11/1994	Pressutti et al. 52/518	6,913,530	B2 *	7/2005	Morris et al. 454/365
5,375,388	A	12/1994	Poplin	7,024,829	B2 *	4/2006	Sharp et al. 52/199
5,471,801	A	12/1995	Kupczyk et al.	7,073,295	B2 *	7/2006	Pressutti et al. 52/57
D366,336	S	1/1996	Noone et al.	7,121,055	B2	10/2006	Penner
5,570,556	A	11/1996	Wagner	7,178,294	B2	2/2007	Jolitz
5,651,734	A *	7/1997	Morris 454/365	7,179,165	B2 *	2/2007	Cook 454/360
D383,223	S	9/1997	Sieling et al.	7,182,688	B2 *	2/2007	Coulton 454/365
5,711,126	A	1/1998	Wells	D562,469	S *	2/2008	Vandewater et al. D25/141
D400,268	S	10/1998	Sieling et al.	D586,007	S *	2/2009	Vandewater et al. D25/141
5,916,103	A	6/1999	Roberts	7,594,363	B2 *	9/2009	Polumbus et al. 52/199
5,951,809	A	9/1999	Jenkins et al.	D603,981	S *	11/2009	King D25/139
5,956,913	A	9/1999	Nicholson	2003/0077999	A1	4/2003	Mankowski
6,149,517	A *	11/2000	Hansen 454/365	2004/0221536	A1	11/2004	Kalkanoglu et al.
6,182,400	B1	2/2001	Freiborg et al.	2004/0237428	A1	12/2004	Headrick et al.
6,212,833	B1 *	4/2001	Henderson 52/198	2006/0292979	A1	12/2006	Stearns
6,237,288	B1	5/2001	Jenkins et al.	2008/0229695	A1	9/2008	Kalkanoglu

* cited by examiner

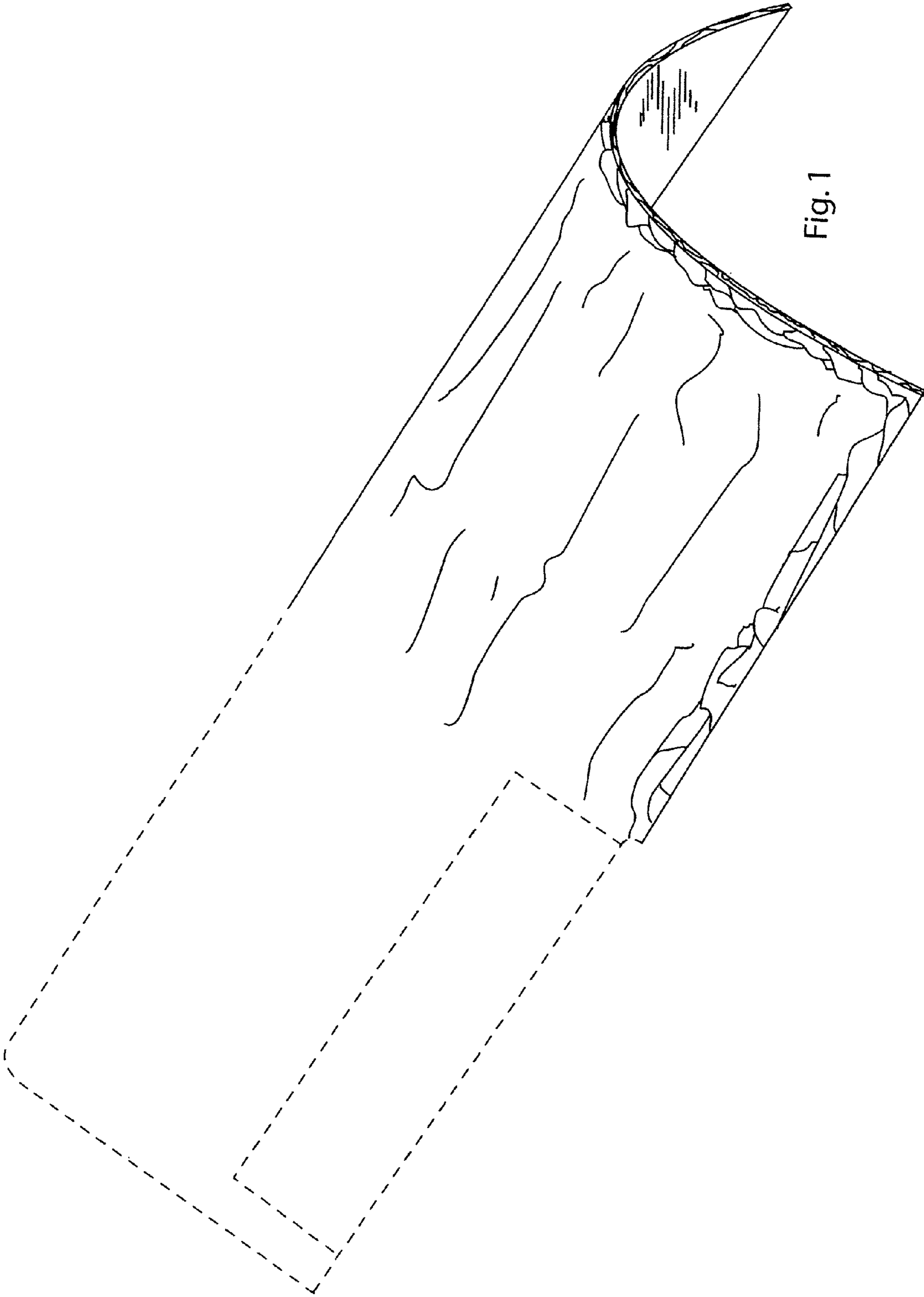


Fig. 1

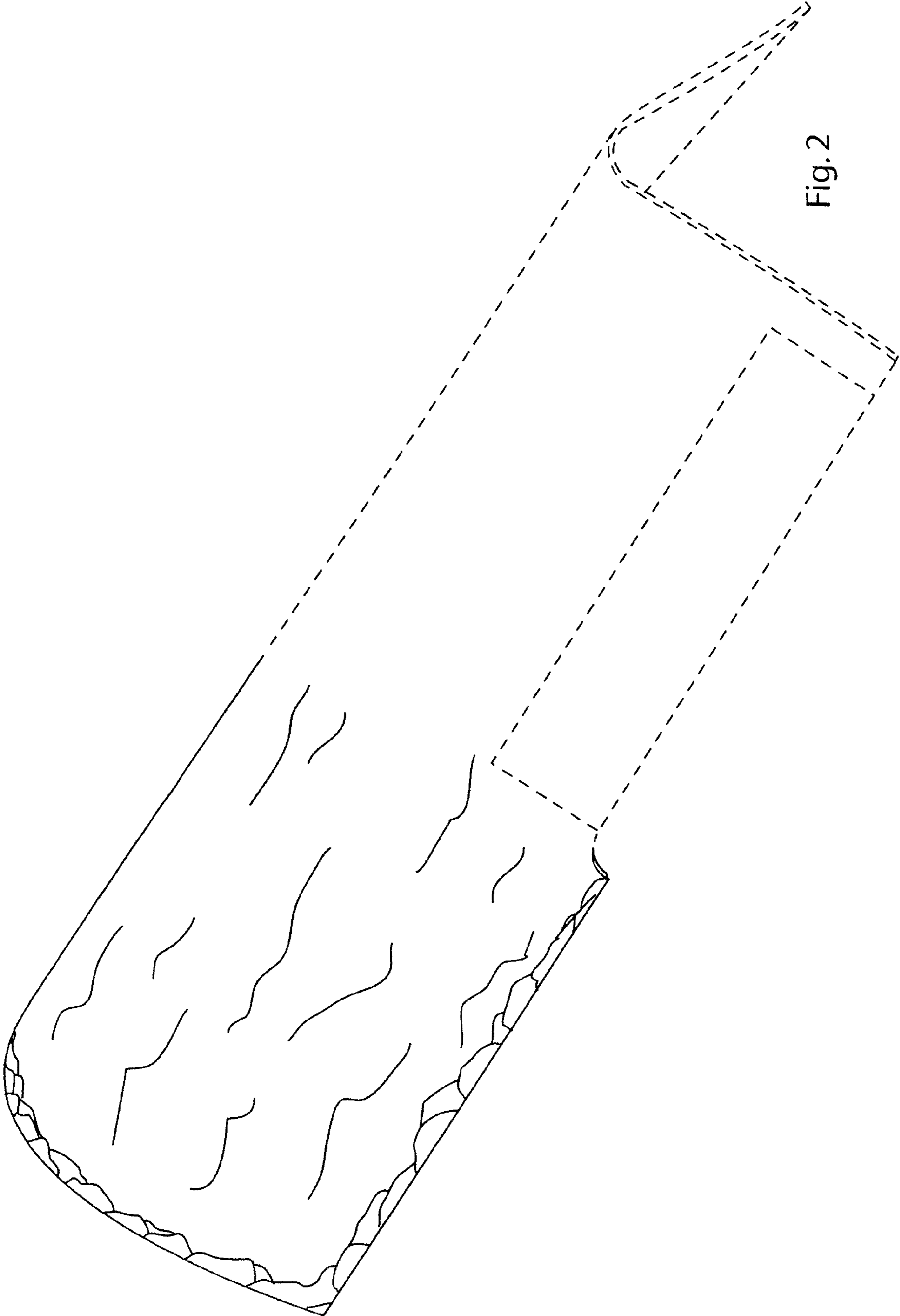


Fig. 2

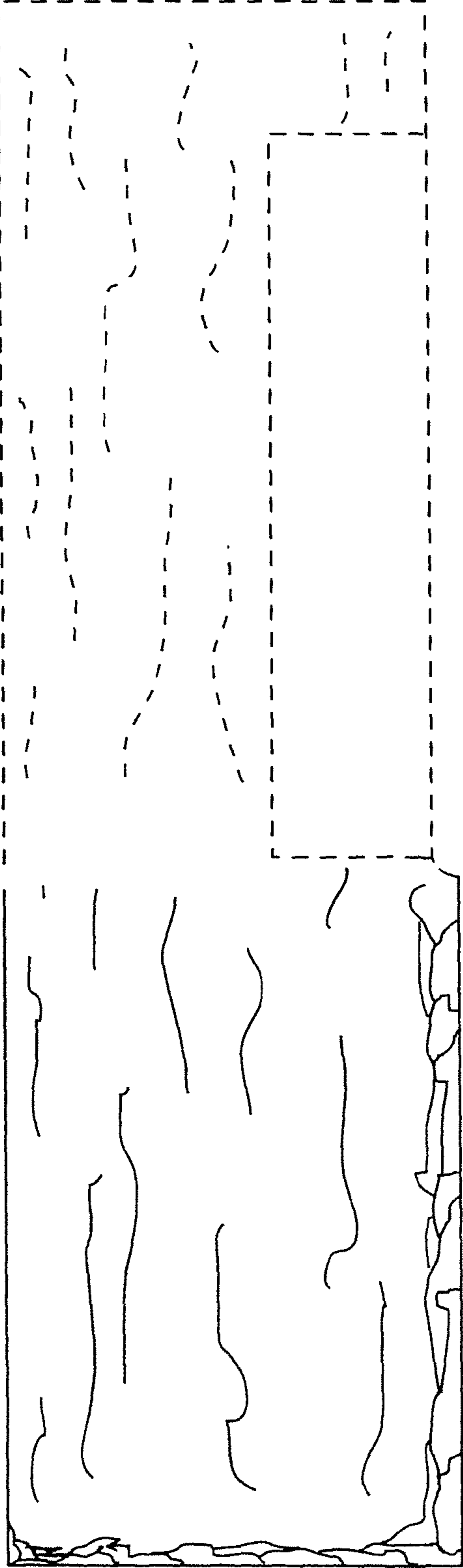


Fig. 3

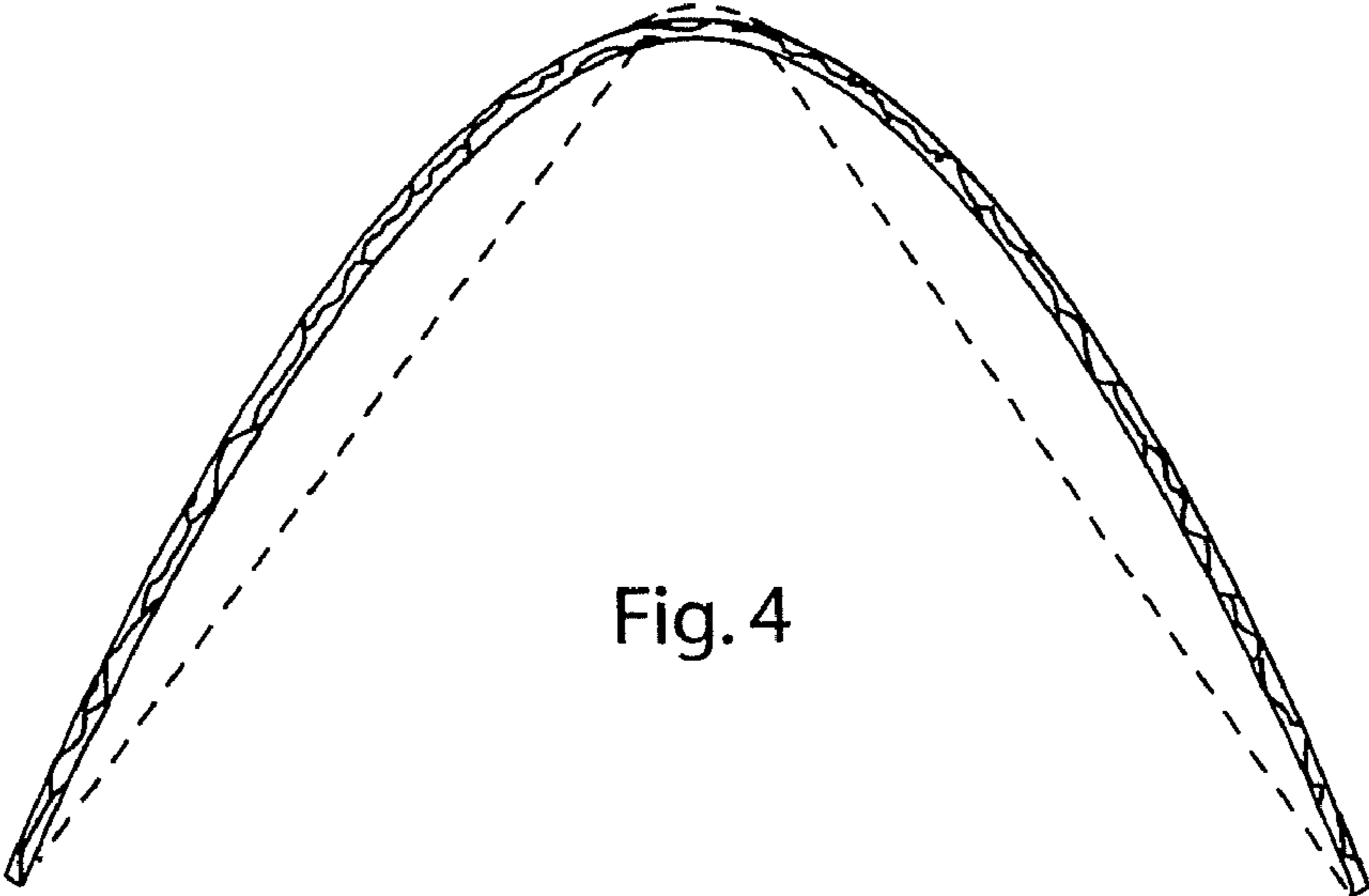


Fig. 4

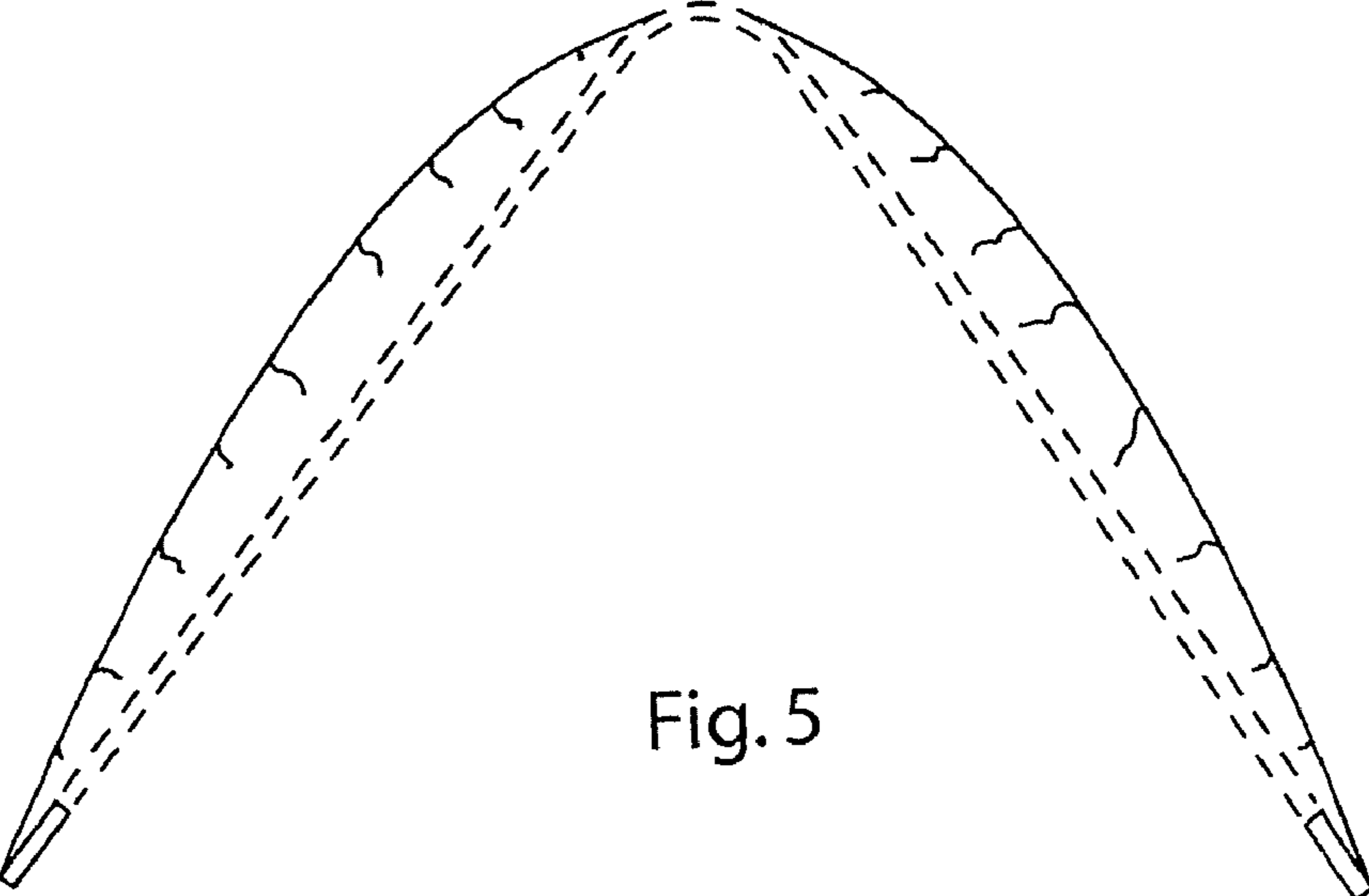


Fig. 5

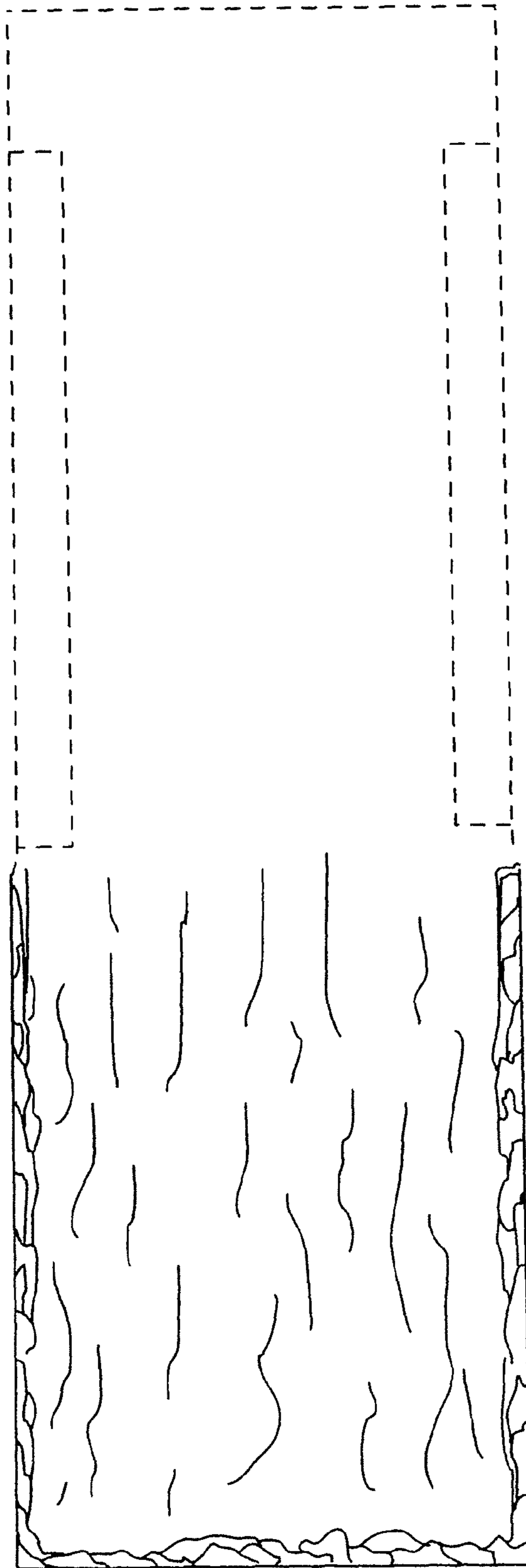


Fig. 6

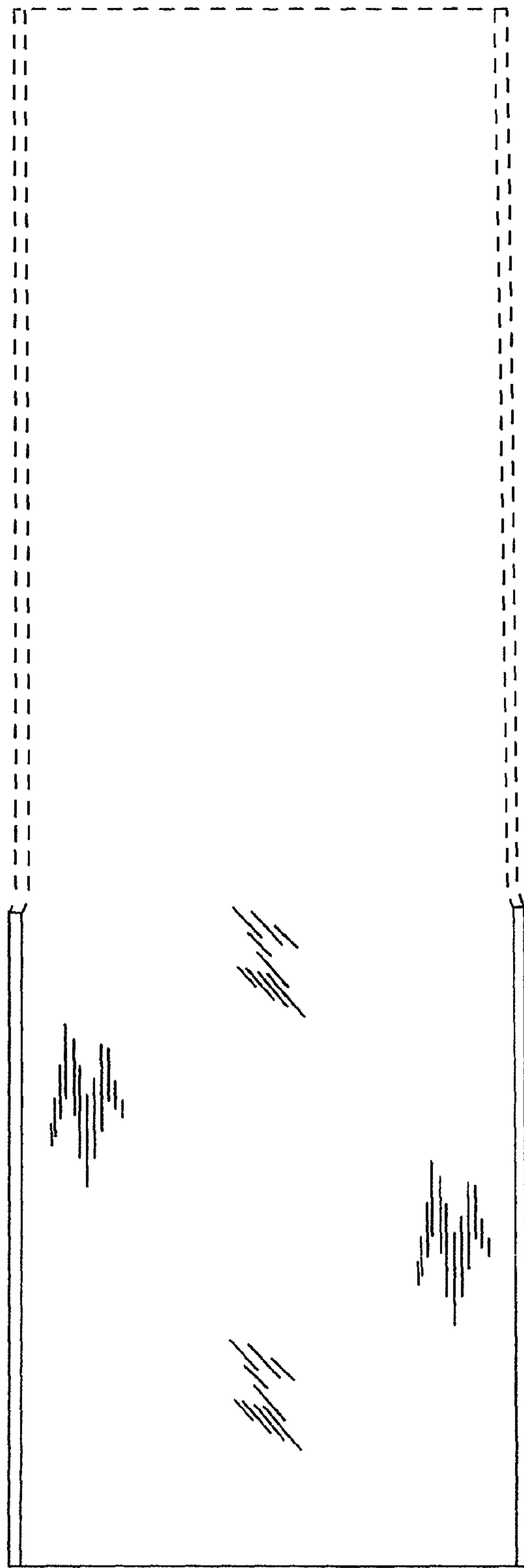


Fig. 7

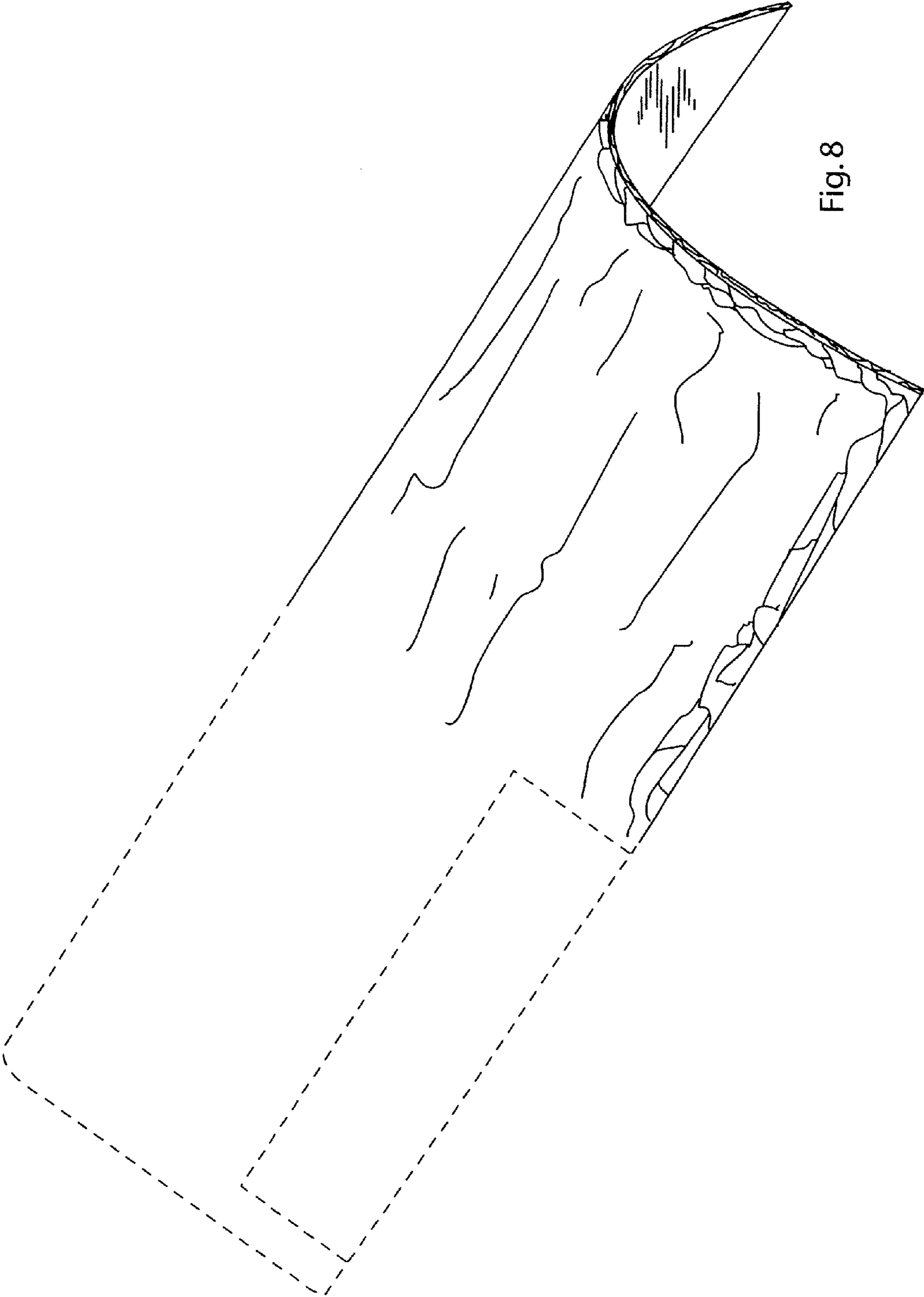


Fig. 8

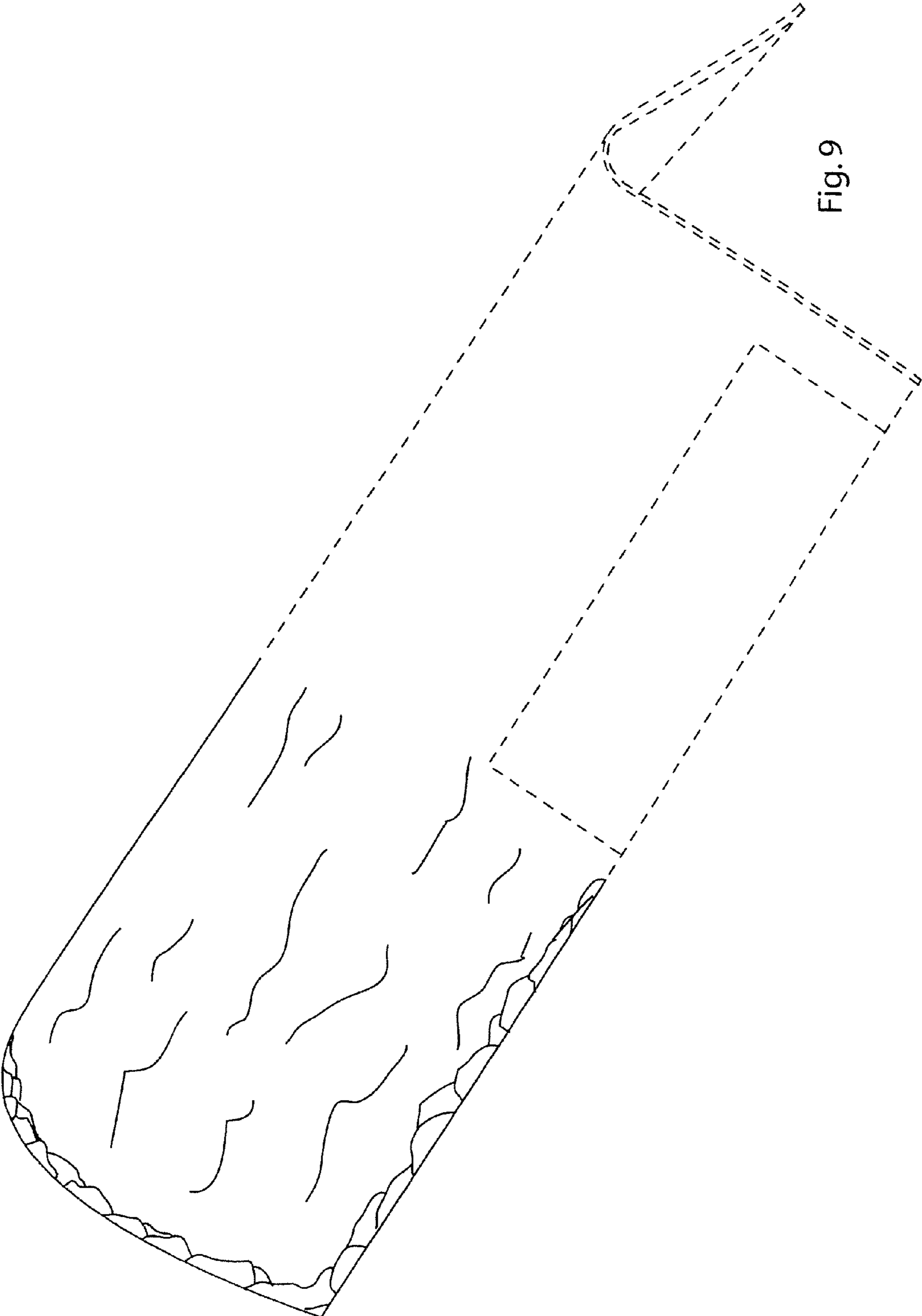


Fig. 9

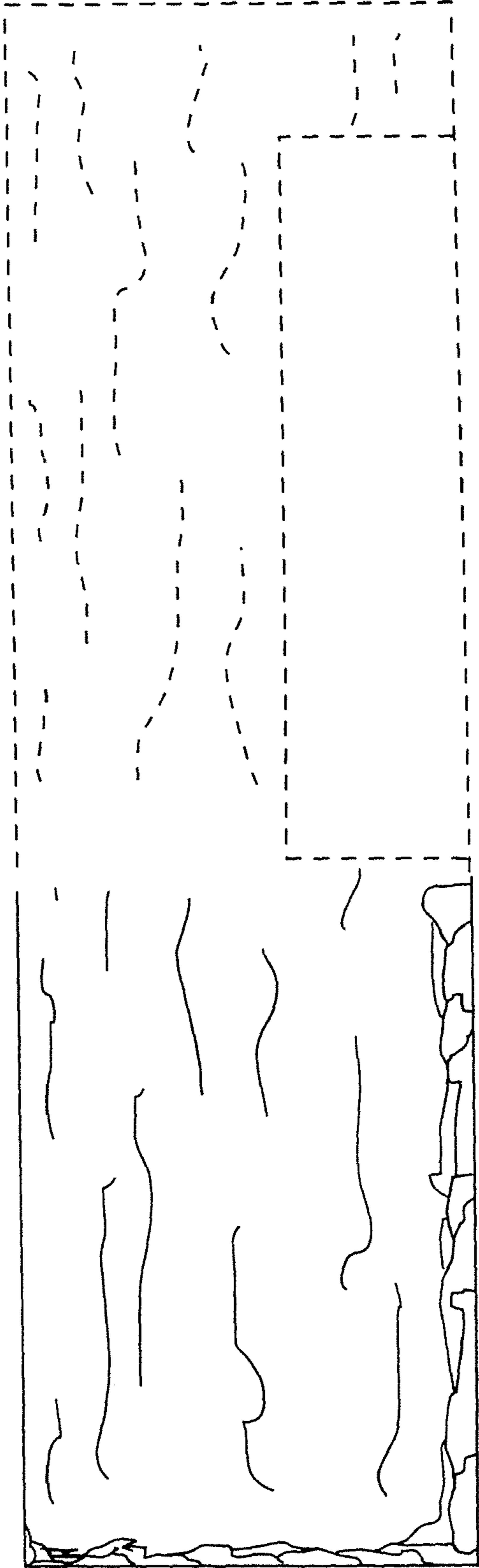


Fig. 10

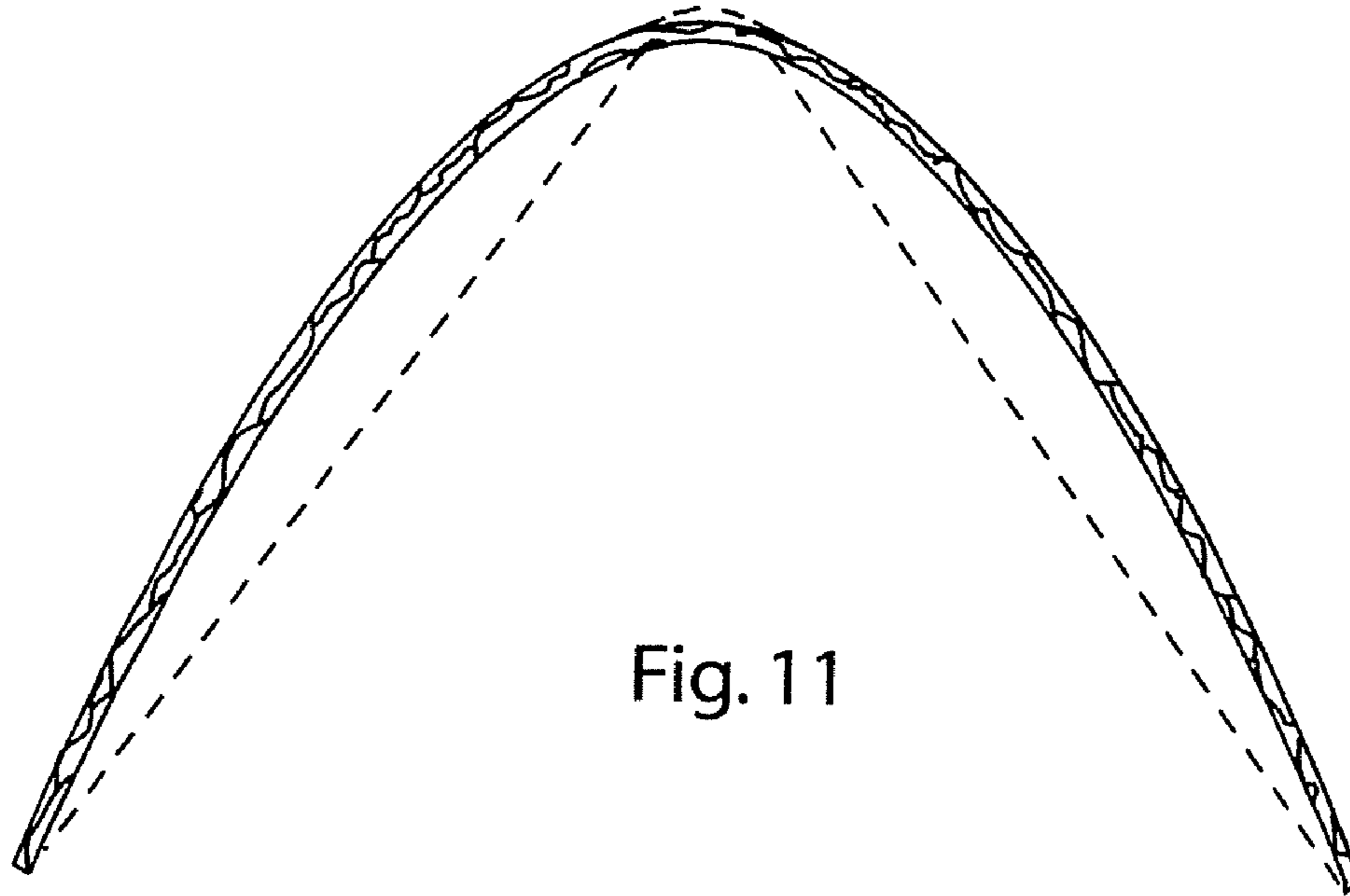


Fig. 11

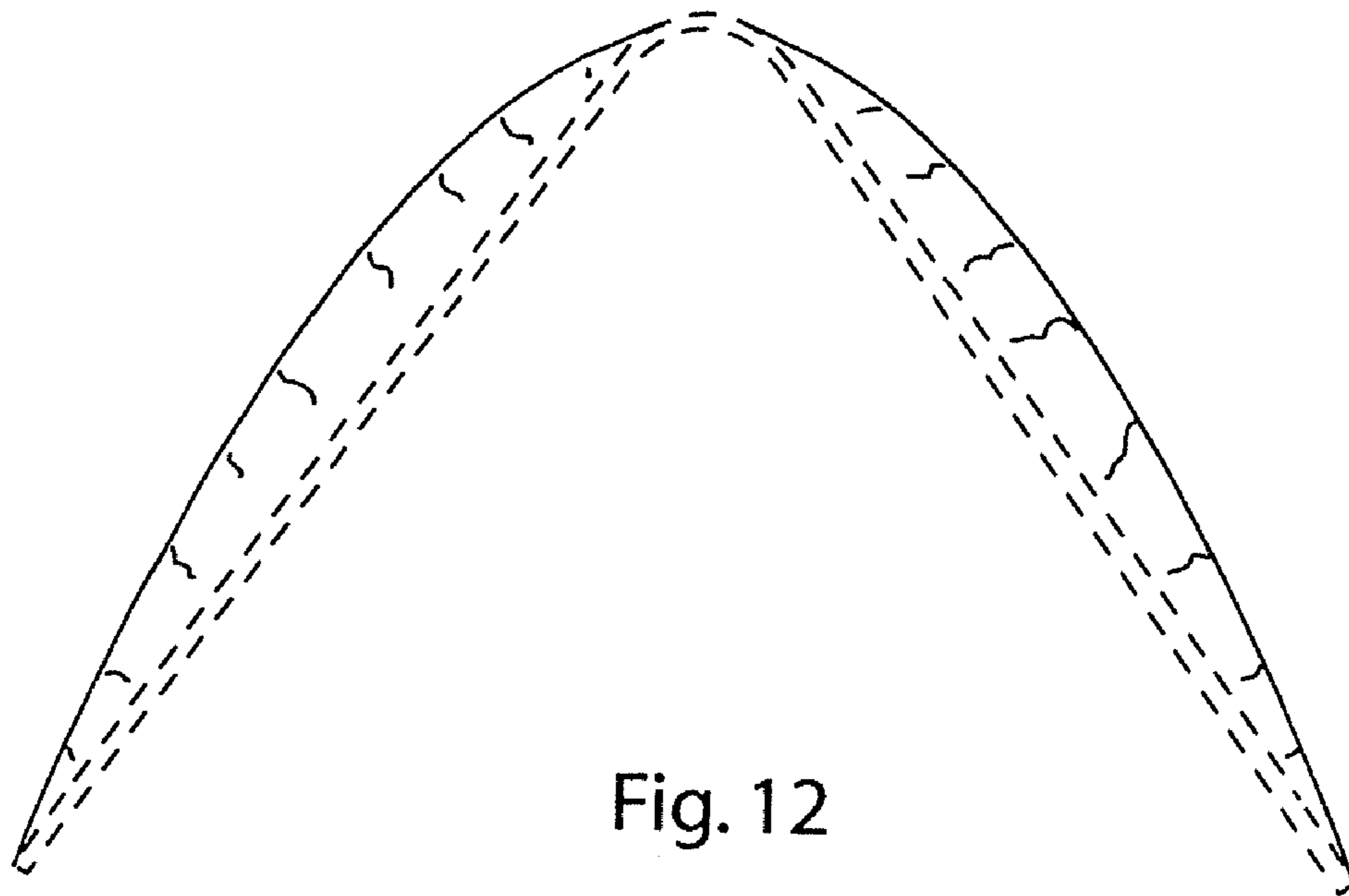


Fig. 12

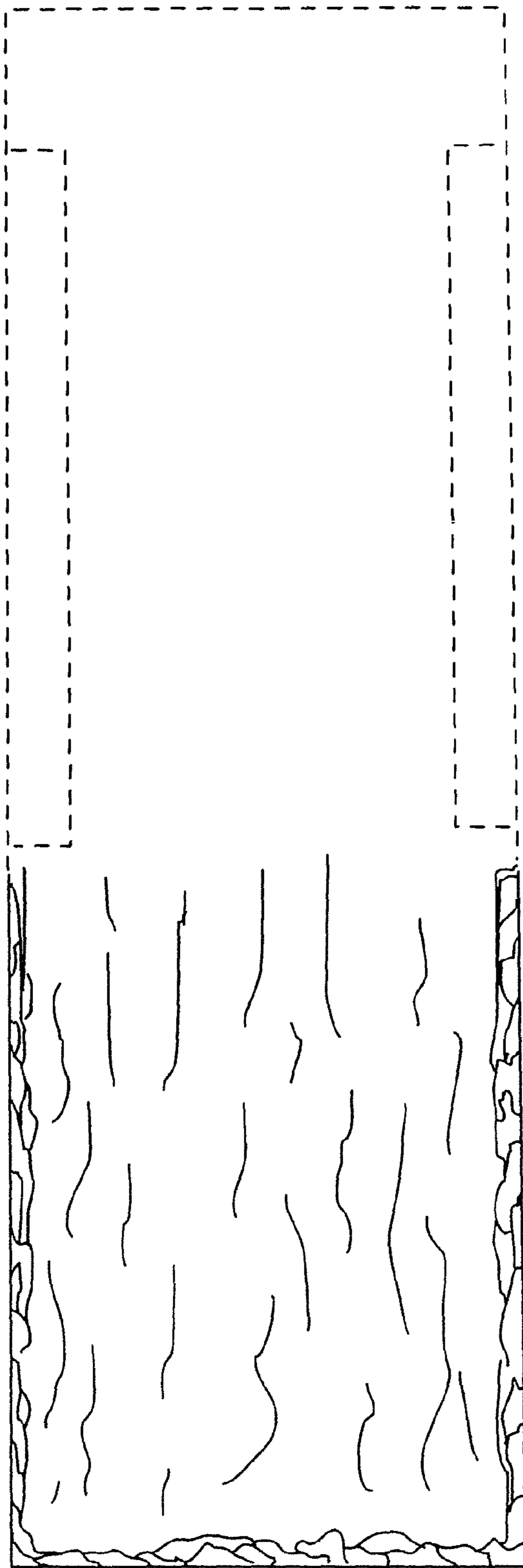


Fig. 13

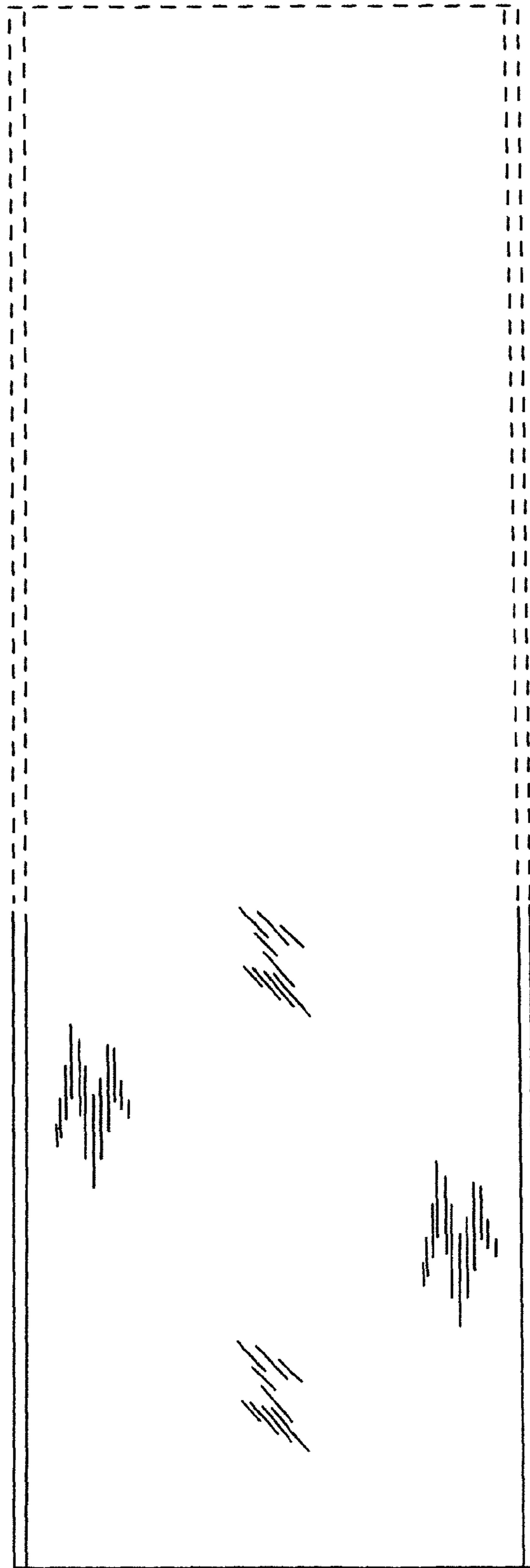


Fig. 14