



US00D625824S

(12) **United States Design Patent**
Brackett et al.

(10) **Patent No.:** **US D625,824 S**

(45) **Date of Patent:** **** *Oct. 19, 2010**

(54) **NON-PNEUMATIC TOURNIQUET DEVICE**

(75) Inventors: **Ted J. Brackett**, Manhattan Beach, CA (US); **William J. Green**, San Clemente, CA (US)

(73) Assignee: **Precision Medical Devices, LLC**, San Clemente, CA (US)

(*) Notice: This patent is subject to a terminal disclaimer.

(**) Term: **14 Years**

(21) Appl. No.: **29/317,784**

(22) Filed: **May 6, 2008**

Related U.S. Application Data

(63) Continuation of application No. 12/114,737, filed on May 2, 2008.

(51) **LOC (9) Cl.** **24-04**

(52) **U.S. Cl.** **D24/188**

(58) **Field of Classification Search** D24/143, D24/164, 169, 188-190, 192, 200, 206, 207; 601/15, 27-32, 148-149, 151-152; 602/3, 602/5, 6, 13, 23, 27, 40; 128/DIG. 15, DIG. 20; 607/104, 114; 606/57, 105; 604/380

See application file for complete search history.

(56) **References Cited**

U.S. PATENT DOCUMENTS

3,504,675 A * 4/1970 Bishop, Jr. 606/202
3,570,495 A * 3/1971 Wright 606/202

4,321,929 A * 3/1982 Lemelson et al. 600/301
D272,186 S * 1/1984 Peck D24/143
D322,854 S * 12/1991 Campbell D24/169
5,607,448 A * 3/1997 Stahl et al. 606/203
5,741,295 A * 4/1998 McEwen 606/202
6,189,538 B1 * 2/2001 Thorpe 128/898
6,605,103 B2 * 8/2003 Hovanes et al. 606/202
6,682,547 B2 * 1/2004 McEwen et al. 606/202

* cited by examiner

Primary Examiner—Holly H Baynham

Assistant Examiner—Michelle E Wilson

(74) *Attorney, Agent, or Firm*—Law Office of David Hong

(57) **CLAIM**

The ornamental design for a non-pneumatic tourniquet device, as shown and described.

DESCRIPTION

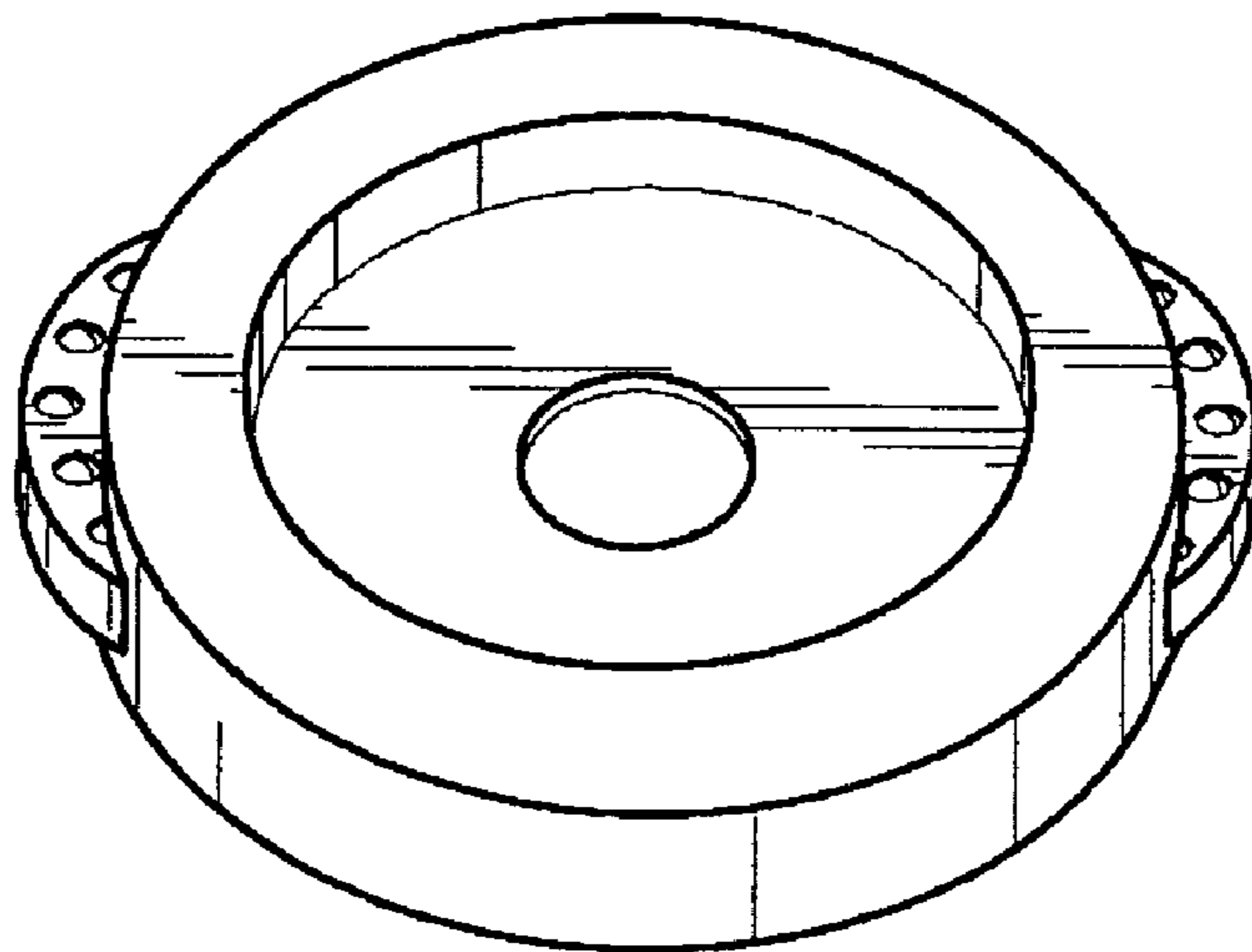
FIG. 1 is a perspective view of my new design for a non-pneumatic tourniquet device.

FIG. 2 is a top view of my new design for a non-pneumatic tourniquet device; the bottom view is not shown but is the mirror image of the top view shown.

FIG. 3 is a first side elevational view of my new design for a non-pneumatic tourniquet device; the second side or opposite side elevational view is not shown but is the mirror image of the first side view shown; and,

FIG. 4 a third side elevational view of my new design for a non-pneumatic tourniquet device; the fourth side or opposite side elevational view is not shown but is the mirror image of the third side view shown.

1 Claim, 1 Drawing Sheet



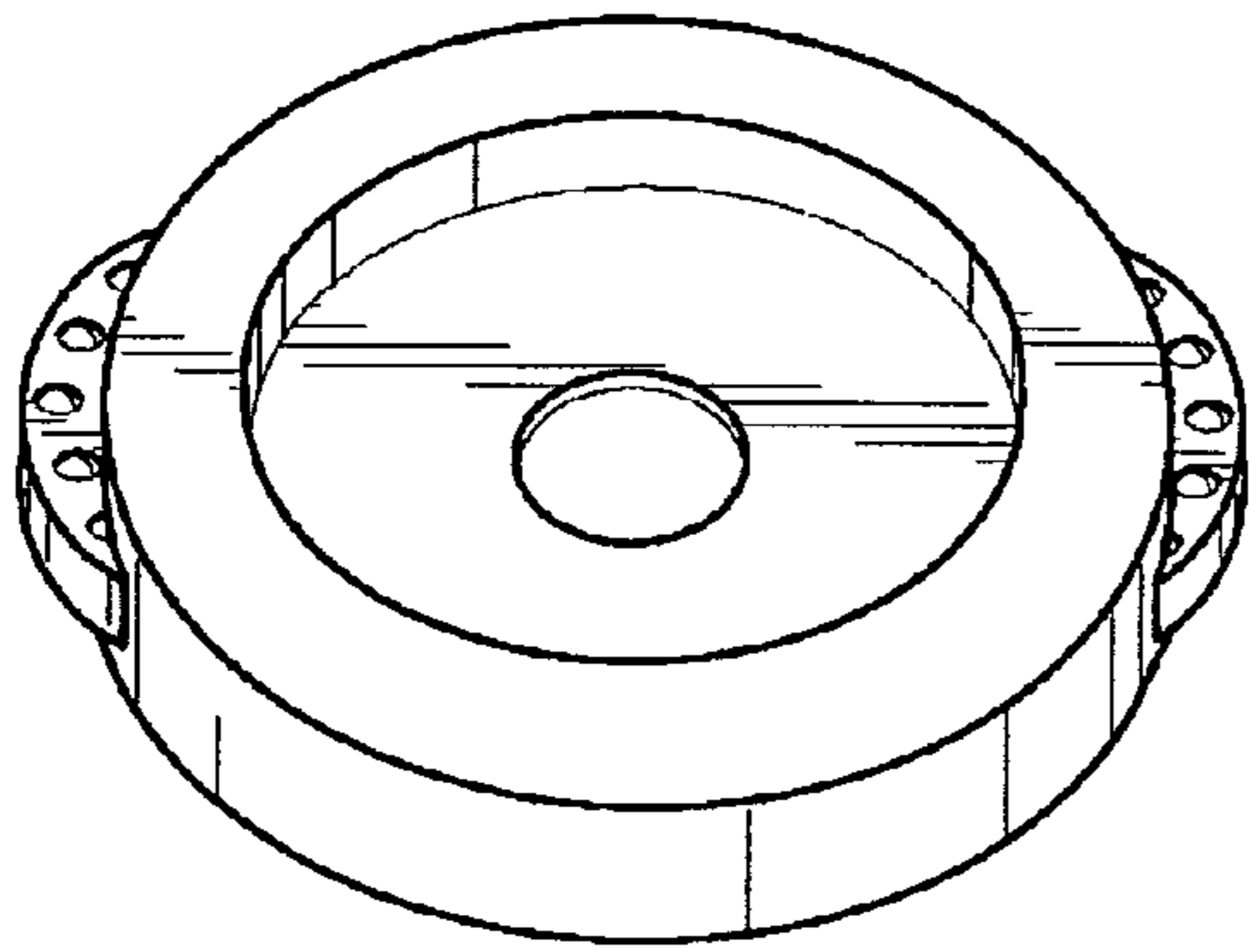


FIG. 1

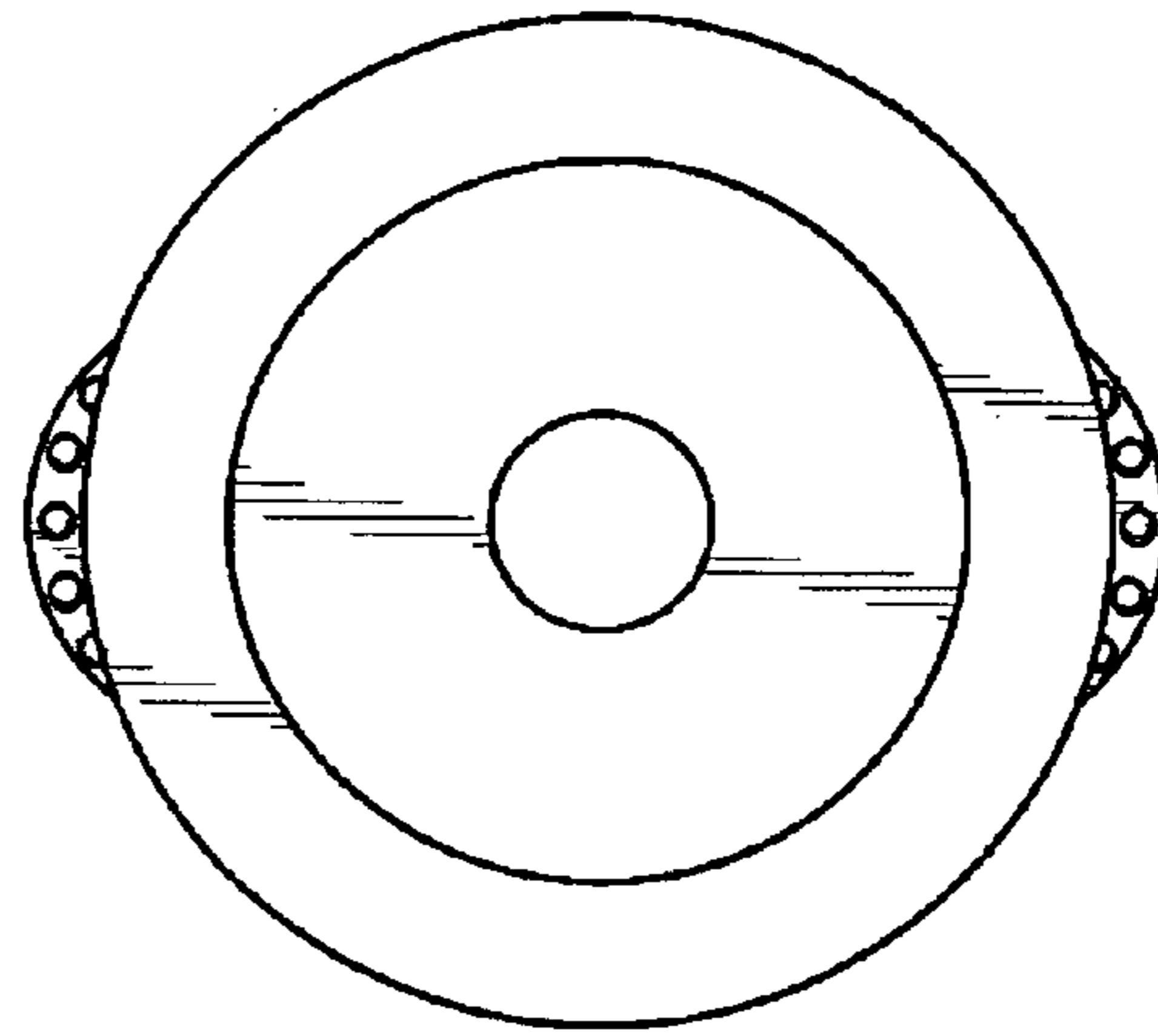


FIG. 2



FIG. 3

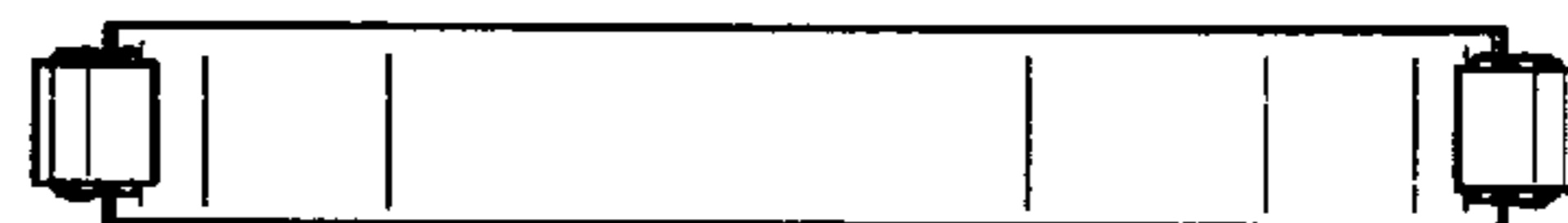


FIG. 4