



US00D625818S

(12) **United States Design Patent**  
**Khalil et al.**

(10) **Patent No.:** **US D625,818 S**  
(45) **Date of Patent:** **\*\* Oct. 19, 2010**

(54) **INTRAMEDULLARY MEDICAL DEVICE**

(75) Inventors: **Heidi F. Khalil**, Atlanta, GA (US);  
**Kenneth A. Gall**, Atlanta, GA (US);  
**James Kurt Jacobus**, Atlanta, GA (US)

(73) Assignee: **Medshape Solutions, Inc.**, Atlanta, GA (US)

(\*\*) Term: **14 Years**

(21) Appl. No.: **29/356,676**

(22) Filed: **Mar. 1, 2010**

**Related U.S. Application Data**

(63) Continuation of application No. 29/330,285, filed on Jan. 2, 2009.

(51) **LOC (9) Cl.** ..... **24-02**

(52) **U.S. Cl.** ..... **D24/146; D24/133**

(58) **Field of Classification Search** ..... **D24/133, D24/145-147, 155; 606/53, 60, 62, 64, 67, 606/95, 80, 170**

See application file for complete search history.

(56) **References Cited**

**U.S. PATENT DOCUMENTS**

3,433,220	A *	3/1969	Zickel	.....	606/67
5,034,013	A	7/1991	Kyle et al.	.....	606/62
5,112,333	A *	5/1992	Fixel	.....	606/62
5,489,284	A *	2/1996	James et al.	.....	606/62
5,505,734	A	4/1996	Canniggia et al.	.....	606/64
5,620,445	A *	4/1997	Brosnahan et al.	.....	606/62
D379,855	S	6/1997	Perry	.....	D24/145
5,653,709	A *	8/1997	Frigg	.....	606/64
5,658,287	A	8/1997	Hofmann et al.	.....	606/64
5,766,174	A	6/1998	Perry	.....	606/62
5,855,579	A	1/1999	James et al.	.....	606/62
5,928,235	A *	7/1999	Friedl	.....	606/64
6,123,708	A	9/2000	Kilpela et al.	.....	606/62
6,168,595	B1	1/2001	Durham et al.	.....	606/64

6,228,086	B1 *	5/2001	Wahl et al.	.....	606/67
6,261,290	B1	7/2001	Friedl	.....	606/64
6,488,684	B2	12/2002	Bramlet et al.	.....	606/62
6,783,529	B2 *	8/2004	Hover et al.	.....	606/62
6,786,908	B2 *	9/2004	Hover et al.	.....	606/62
6,808,527	B2	10/2004	Lower et al.	.....	606/62
6,921,400	B2	7/2005	Sohngen	.....	606/64
7,018,380	B2 *	3/2006	Cole	.....	606/80
7,232,443	B2 *	6/2007	Zander et al.	.....	606/62
D604,846	S	11/2009	Hintermann	.....	D24/146
D611,145	S *	3/2010	Khalil et al.	.....	D24/146
2008/0287949	A1	11/2008	Keith et al.	.....	606/62
2008/0300597	A1	12/2008	Morgan et al.	.....	606/62
2010/0010490	A1 *	1/2010	Brigido	.....	606/64

\* cited by examiner

*Primary Examiner*—Ian Simmons

*Assistant Examiner*—Wan Laymon

(74) *Attorney, Agent, or Firm*—Greenberg Traurig, LLP

(57) **CLAIM**

The ornamental design for an intramedullary medical device, as shown and described.

**DESCRIPTION**

FIG. 1 is a perspective view of an intramedullary medical device showing our new design;

FIG. 2 is an enlarged fragmentary perspective view of the proximal region taken from “FIG. 2” in FIG. 1 thereof;

FIG. 3 is a front side view thereof, the rear side view being identical;

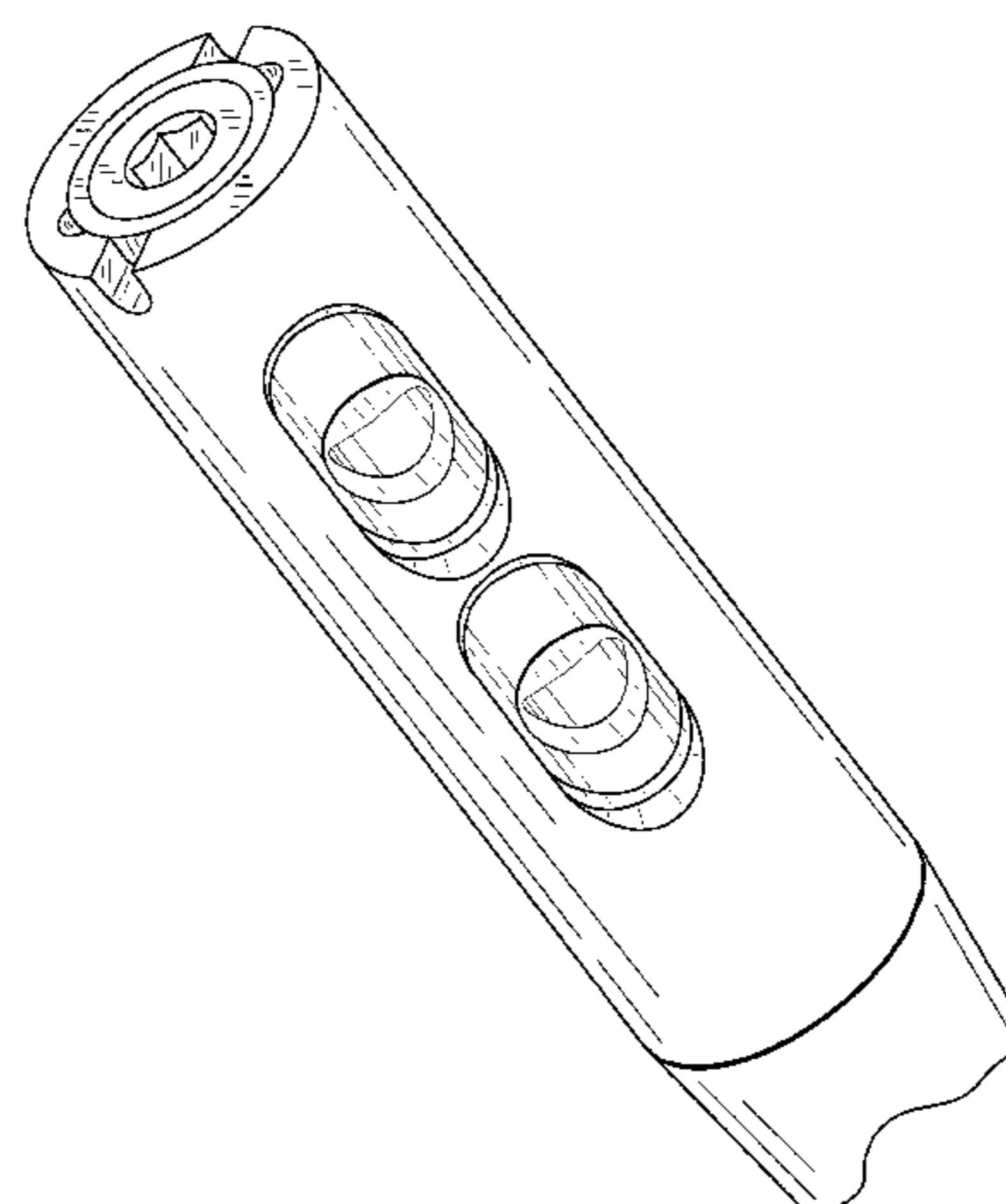
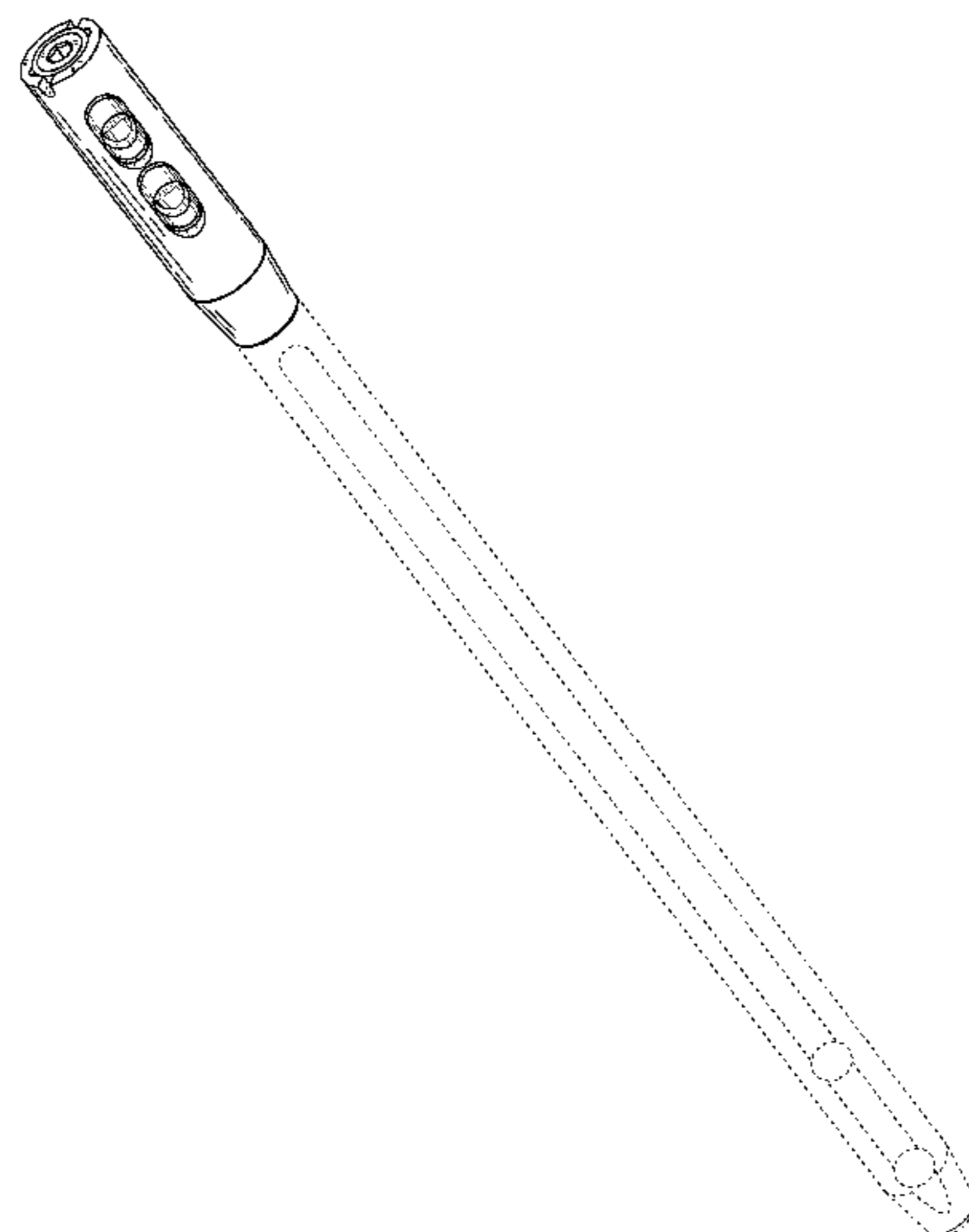
FIG. 4 is a right side view thereof, the left side view being identical

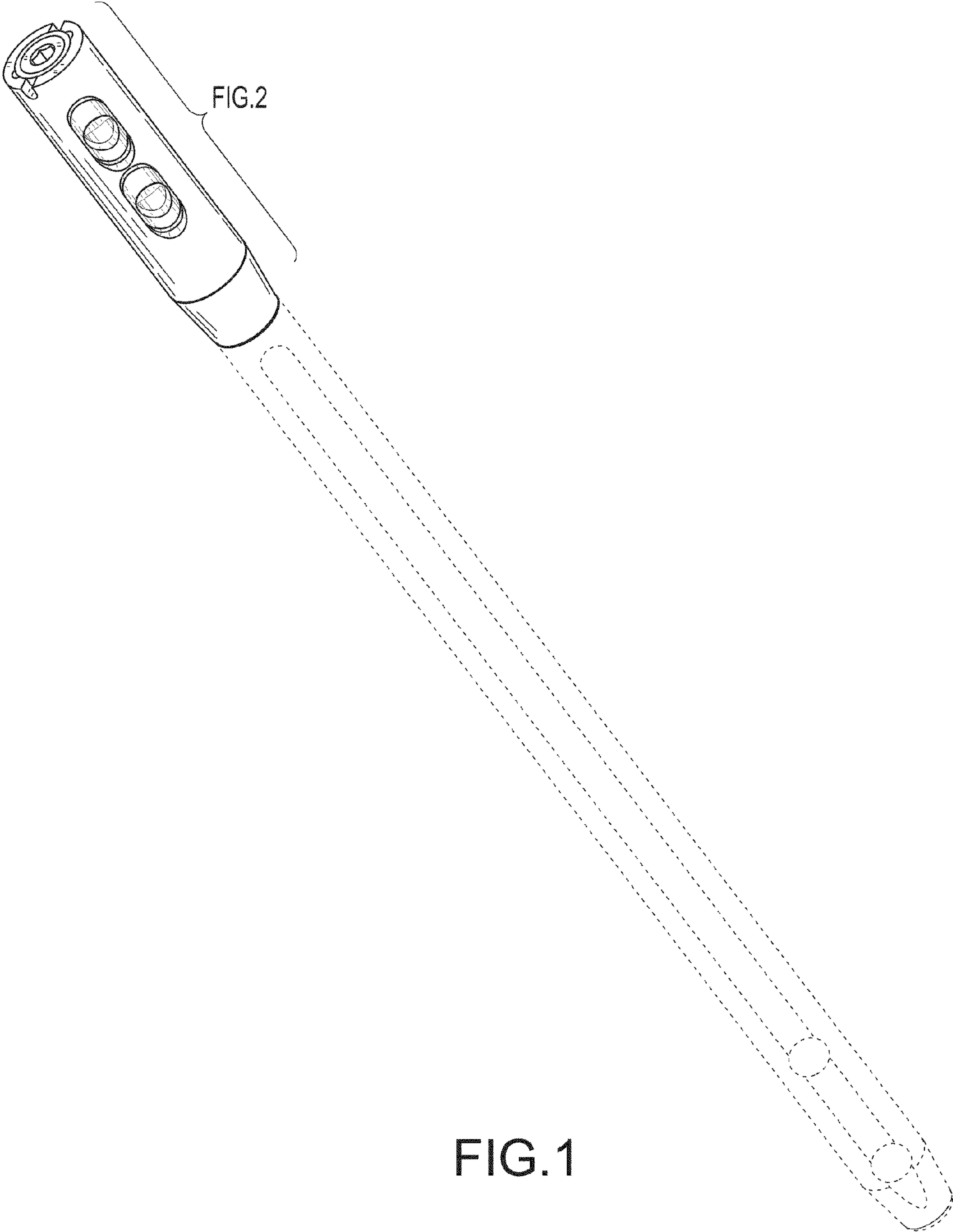
FIG. 5 is an enlarged bottom view thereof; and,

FIG. 6 is an enlarged top view thereof.

The broken line showing portion of the intramedullary medical device is included for illustrating environmental structure and forms no part of the claimed design.

**1 Claim, 4 Drawing Sheets**





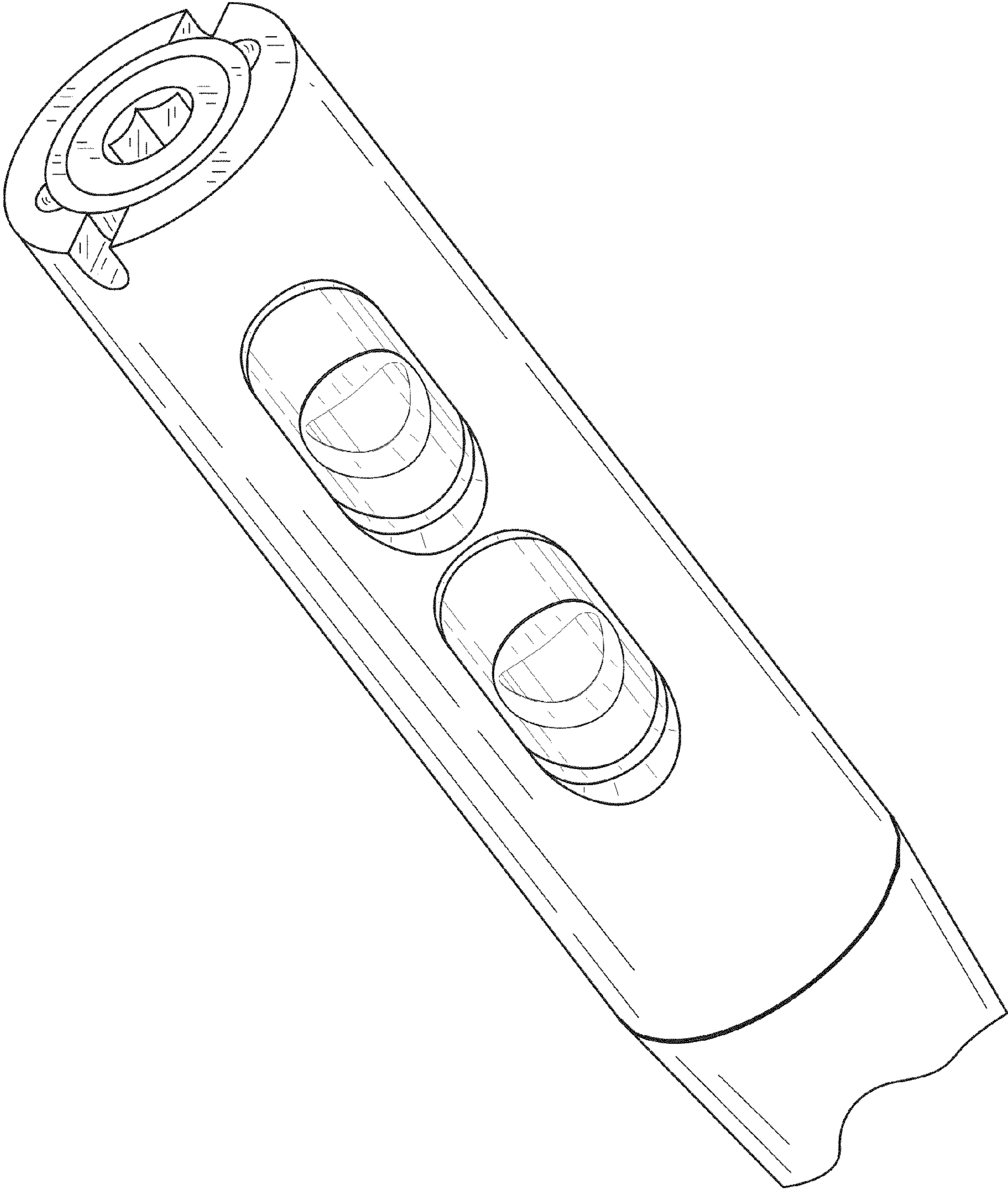


FIG.2

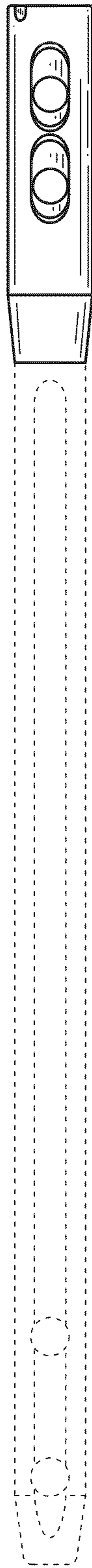


FIG.3

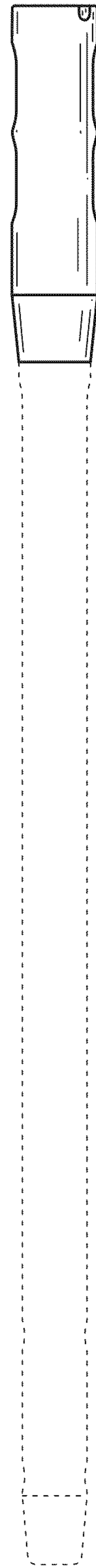


FIG.4

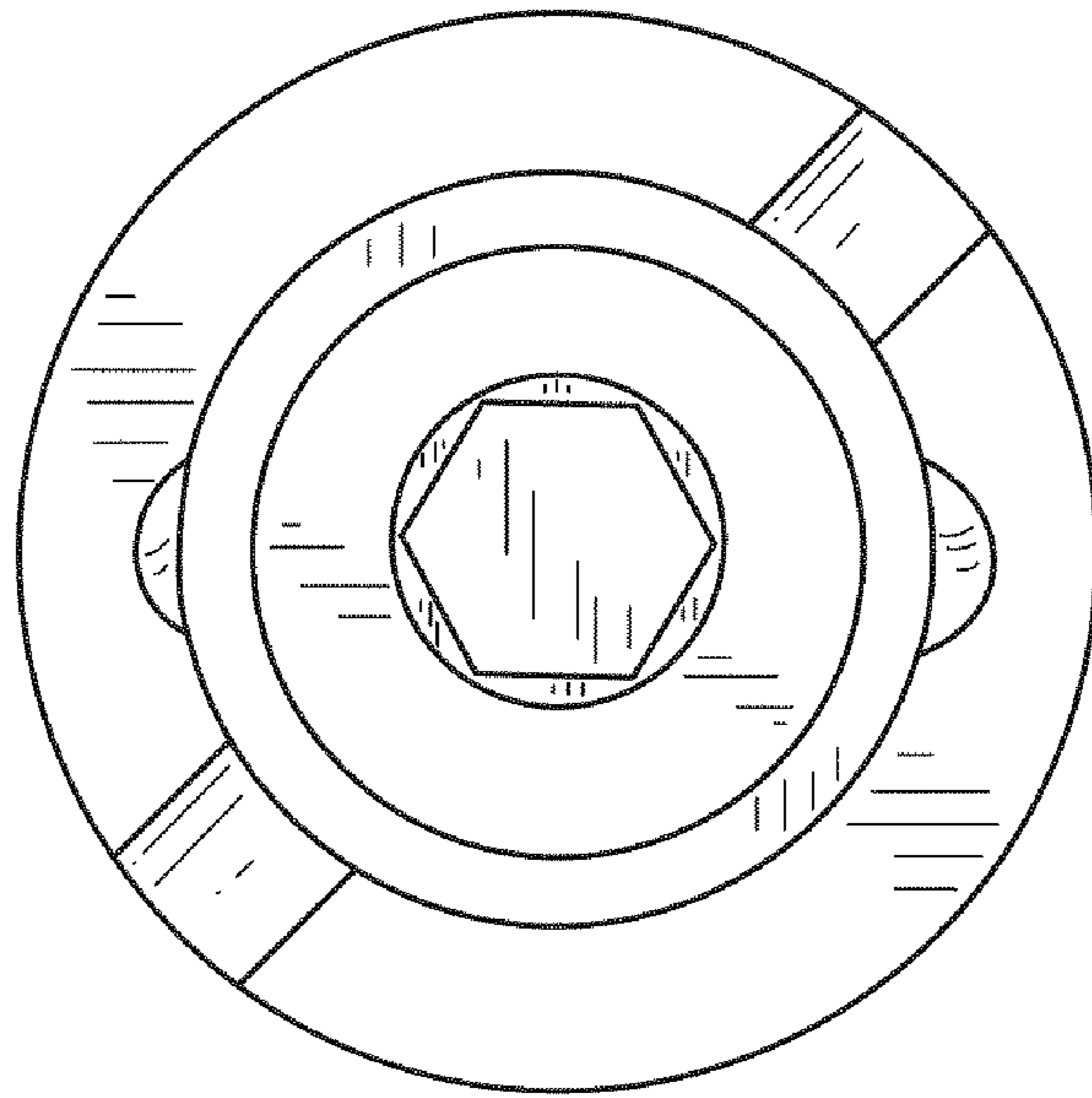


FIG. 5

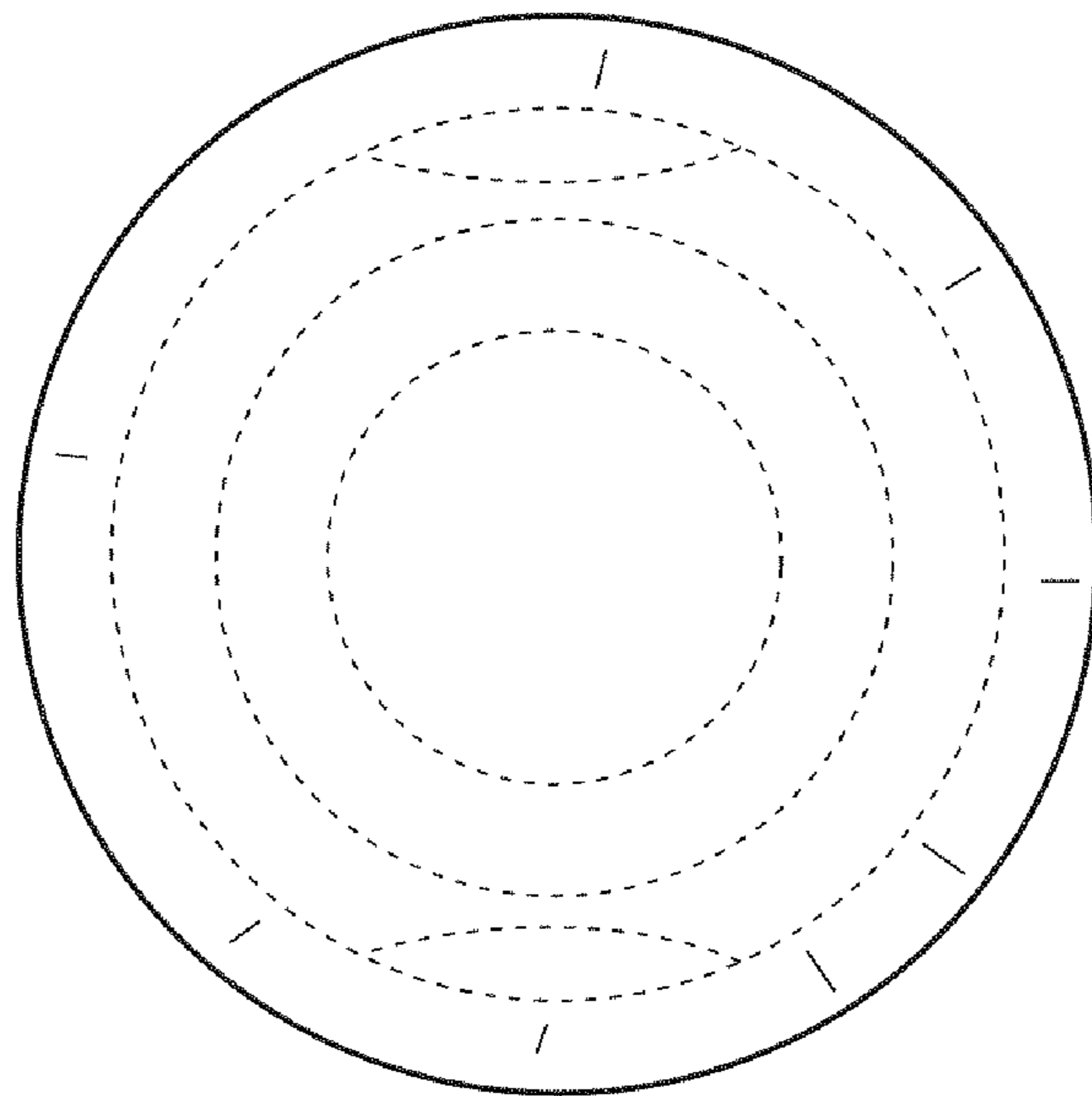


FIG. 6