



US00D625815S

(12) **United States Design Patent**
Griffis, III et al.

(10) **Patent No.:** **US D625,815 S**
(45) **Date of Patent:** **** Oct. 19, 2010**

(54) **INSTALLATION DEVICE FOR A SUTURE ANCHOR AND A SUTURE**

(75) Inventors: **Jack C. Griffis, III**, Decatur, GA (US);
Kenneth A. Gall, Atlanta, GA (US);
Christopher M. Yakacki, Atlanta, GA (US);
Maureen Carroll, Atlanta, GA (US);
Shane Byler, Mableton, GA (US)

(73) Assignee: **Medshape Solutions, Inc.**, Atlanta, GA (US)

(**) Term: **14 Years**

(21) Appl. No.: **29/351,481**

(22) Filed: **Dec. 7, 2009**

Related U.S. Application Data

(63) Continuation of application No. 29/331,875, filed on Feb. 3, 2009, now Pat. No. Des. 605,764.

(51) **LOC (9) Cl.** **24-02**

(52) **U.S. Cl.** **D24/145; D24/146; D24/147**

(58) **Field of Classification Search** D24/133, D24/140, 144-147; 606/60, 62, 74, 79, 147, 606/139, 144, 228, 232, 233, 304, 916, 104
See application file for complete search history.

(56) **References Cited**

U.S. PATENT DOCUMENTS

4,898,156 A * 2/1990 Gattorna et al. 606/139
5,725,557 A * 3/1998 Gattorna et al. 606/232

5,957,924 A * 9/1999 Tormala et al. 606/139
5,961,524 A * 10/1999 Crombie 606/104
5,993,459 A * 11/1999 Larsen et al. 606/104
6,183,479 B1 * 2/2001 Tormala et al. 606/104
6,916,323 B2 * 7/2005 Kitchens 606/104
D605,764 S * 12/2009 Griffis et al. D24/145
2009/0163963 A1 * 6/2009 Berrevoets 606/104

* cited by examiner

Primary Examiner—Ian Simmons

Assistant Examiner—Wan Laymon

(74) *Attorney, Agent, or Firm*—Greenberg Traurig, LLP

(57) **CLAIM**

The ornamental design for an installation device for a suture anchor and a suture, as shown and described.

DESCRIPTION

FIG. 1 is a perspective view of a new design for an installation device for a suture anchor and a suture;

FIG. 2 is a front side view thereof, the rear side view thereof being identical in appearance;

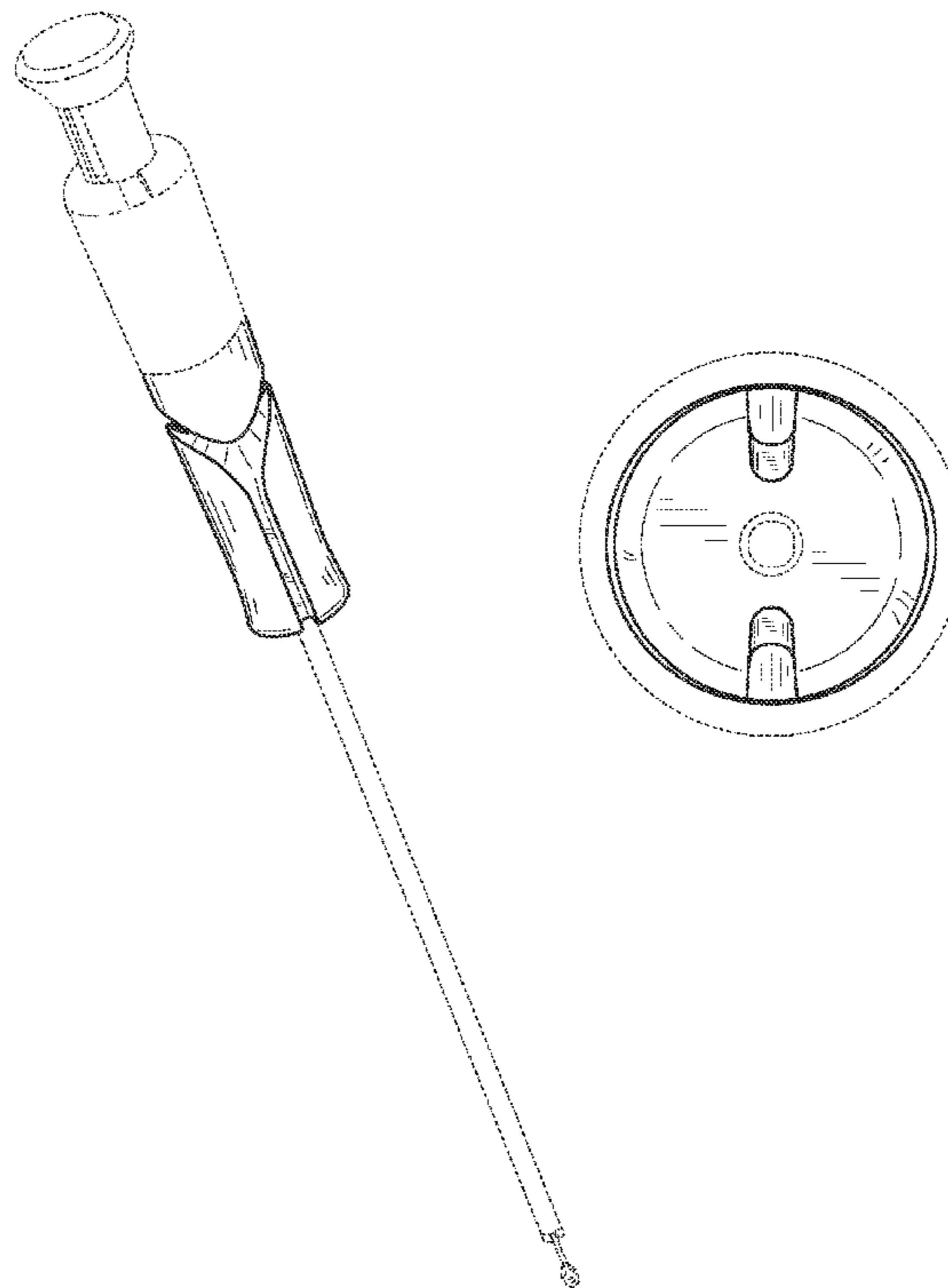
FIG. 3 is a right side view thereof, the left side view thereof being identical in appearance;

FIG. 4 is a top view thereof; and,

FIG. 5 is a bottom view thereof.

The broken line showing portion of an installation device for a suture anchor and a suture is included for illustrating environmental structure and forms no part of the claimed design.

1 Claim, 3 Drawing Sheets



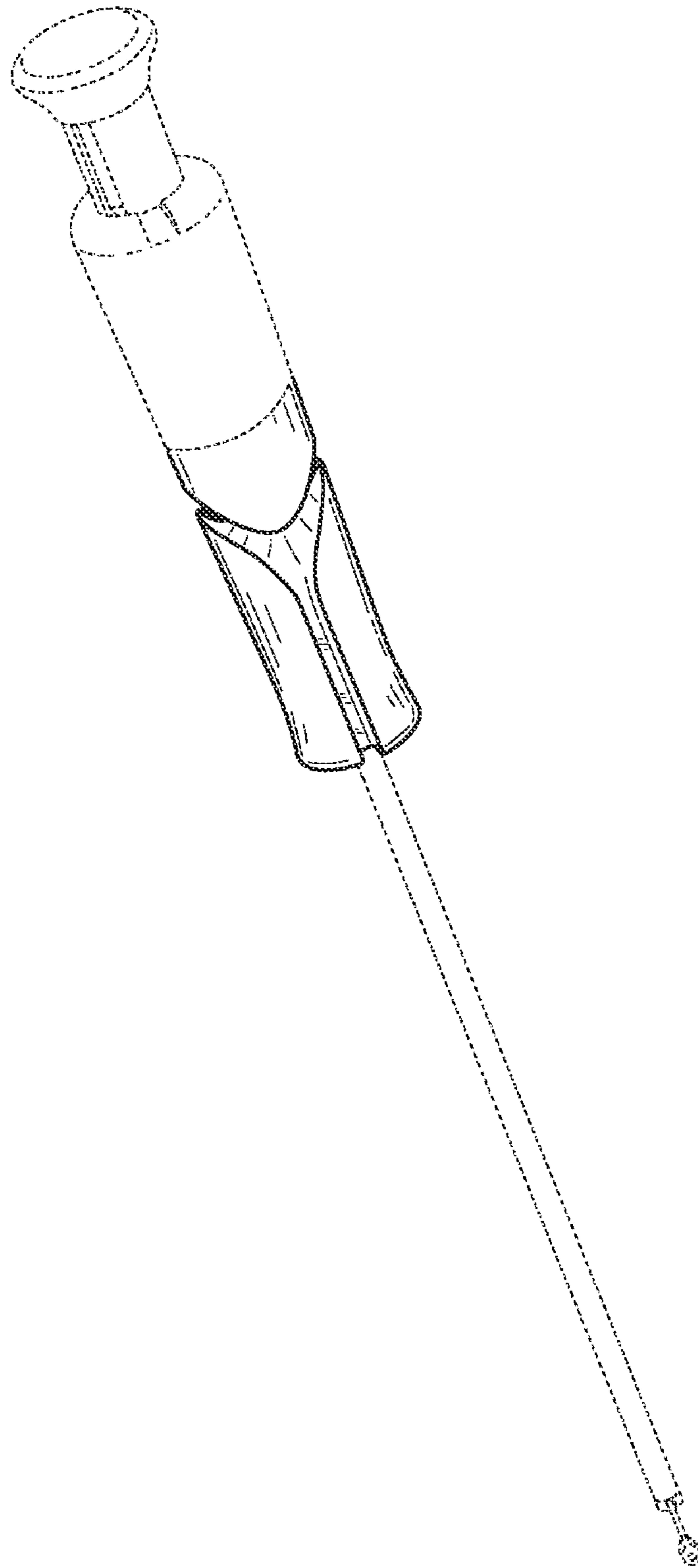


FIG. 1

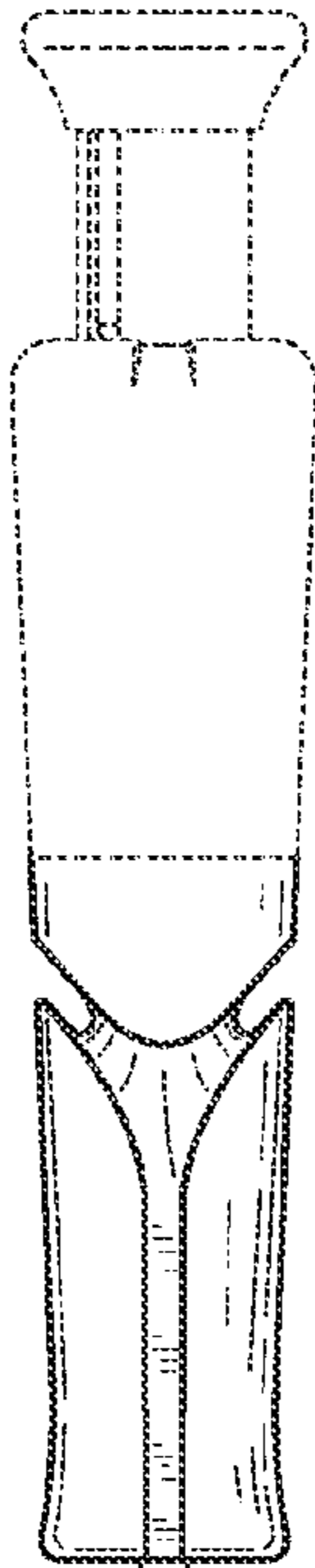


FIG. 2

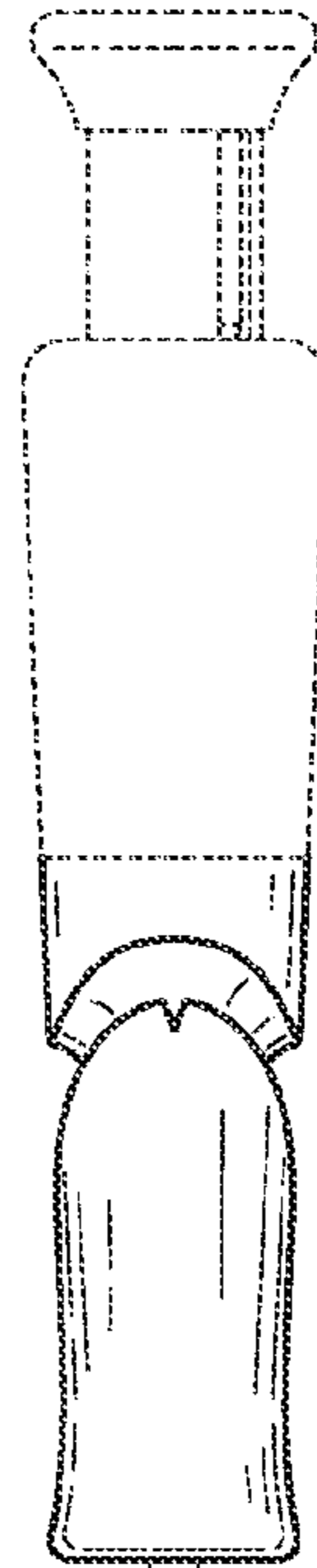


FIG. 3

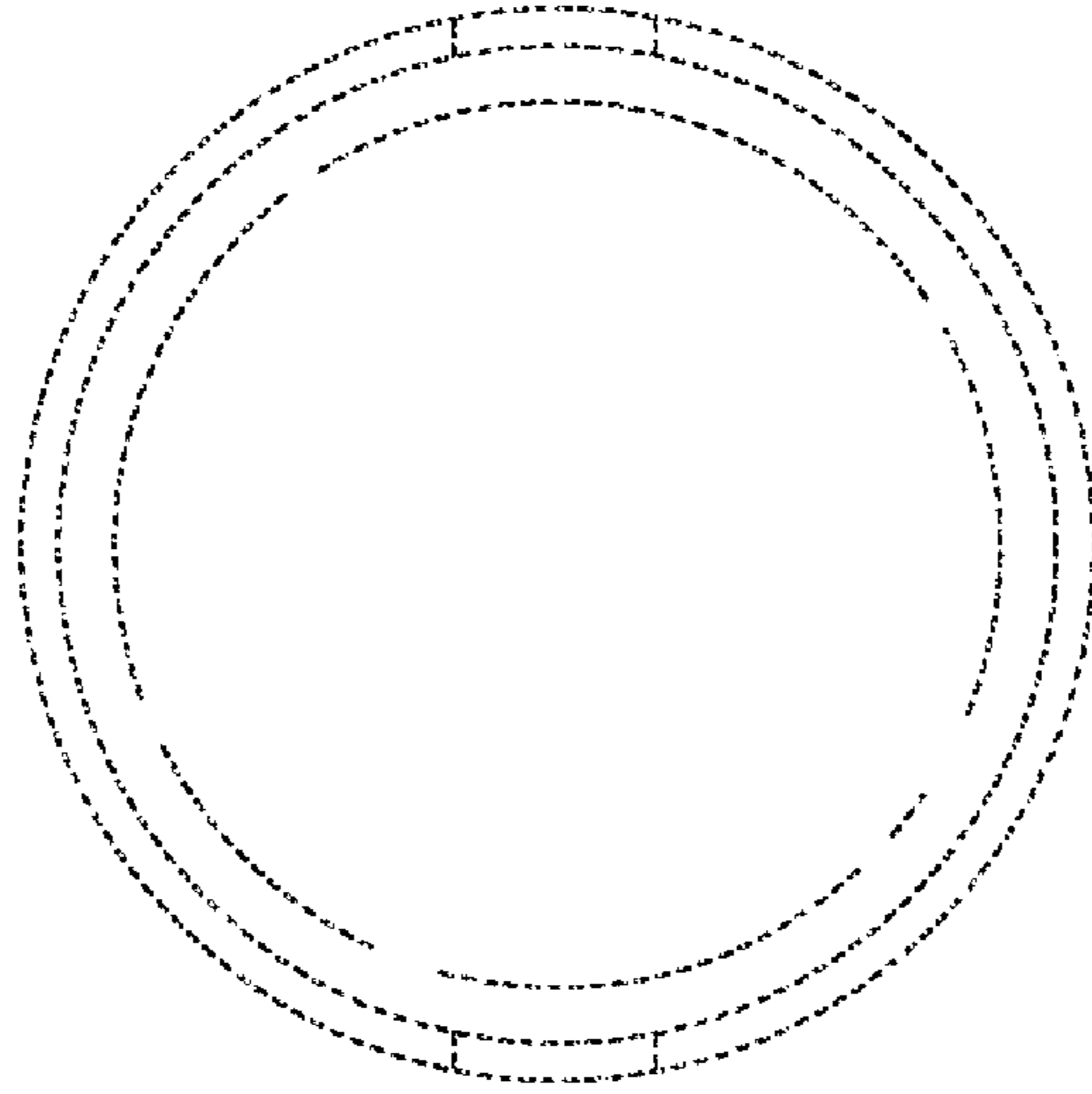


FIG. 4

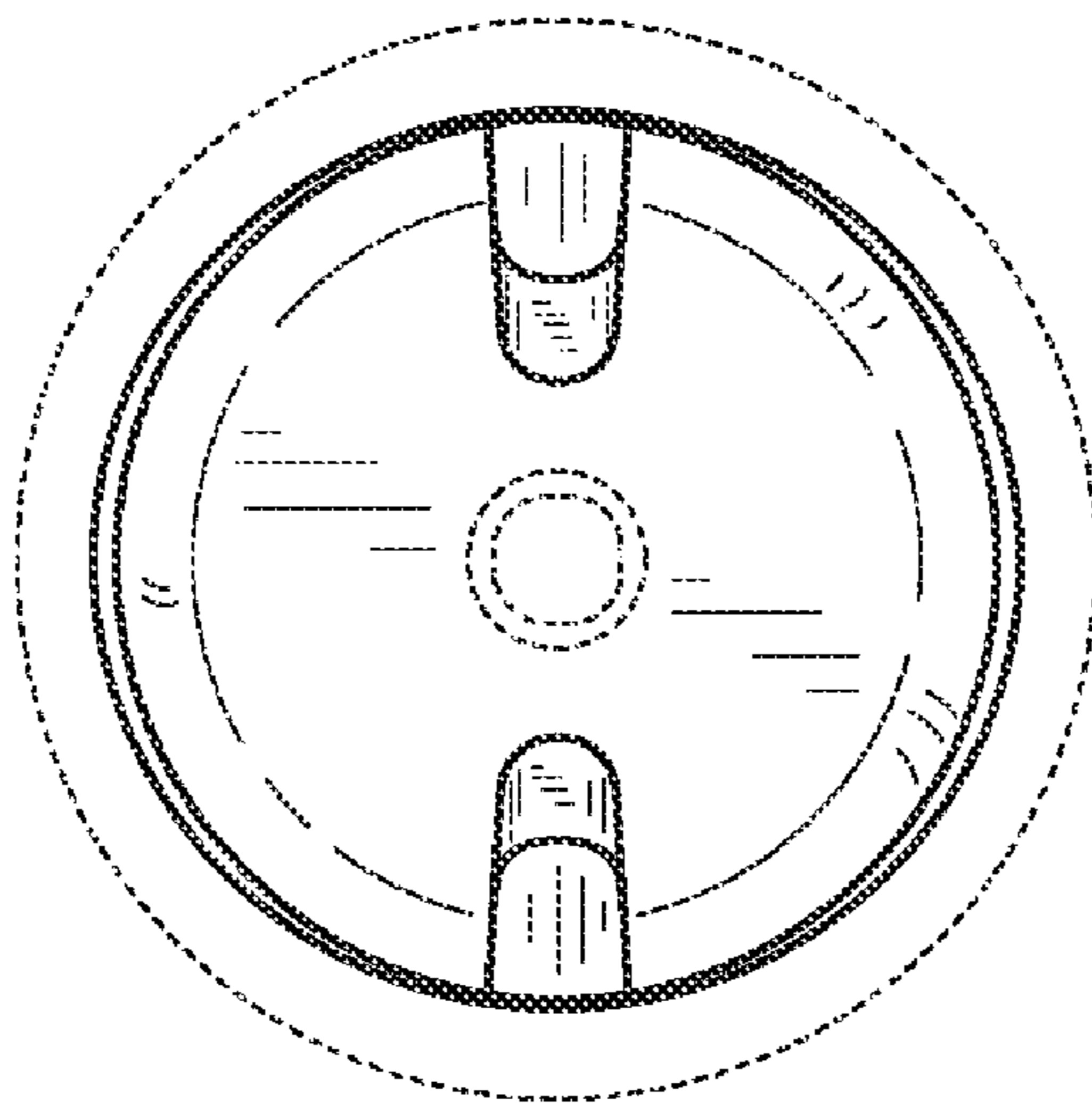


FIG. 5