



US00D625811S

(12) **United States Design Patent**  
**Cuschieri et al.**

(10) **Patent No.:** **US D625,811 S**

(45) **Date of Patent:** **\*\* Oct. 19, 2010**

(54) **SURGICAL INSTRUMENT FOR USE IN SINGLE-ACCESS SURGERY**

2010/0160940 A1\* 6/2010 Lutze et al. .... 606/170

\* cited by examiner

(75) Inventors: **Alfred Cuschieri**, St. Andrews Fife (GB); **Sebastian Wagner**, Bretten (DE)

*Primary Examiner*—Ian Simmons

*Assistant Examiner*—Wan Laymon

(73) Assignee: **Karl Storz GmbH & Co. KG** (DE)

(74) *Attorney, Agent, or Firm*—St. Onge Steward Johnston & Reens LLC

(\*\*) Term: **14 Years**

(57) **CLAIM**

(21) Appl. No.: **29/344,827**

The ornamental design for a surgical instrument for use in single-access surgery, as shown and described.

(22) Filed: **Oct. 5, 2009**

(30) **Foreign Application Priority Data**

**DESCRIPTION**

Apr. 3, 2009 (EM) ..... 001117782

FIG. 1 is a left side perspective view of an surgical instrument for use in single-access surgery in accordance with the new design;

(51) **LOC (9) Cl.** ..... **24-02**

FIG. 2 is a right side elevation view thereof;

(52) **U.S. Cl.** ..... **D24/143; D24/133**

FIG. 3 is a top plan view thereof;

(58) **Field of Classification Search** ..... D24/143,

FIG. 4 is a bottom plan view thereof;

D24/133, 146–147, 137–138, 148–149, 144–145; D8/53–55, 60; 600/197, 217, 218, 226; 606/205–207, 606/167, 170, 48, 51–52

FIG. 5 is a front elevation view thereof;

See application file for complete search history.

FIG. 6 is a rear elevation view thereof;

(56) **References Cited**

FIG. 7 is an enlarged perspective view of the area labeled “7” in FIG. 1; and,

**U.S. PATENT DOCUMENTS**

FIG. 8 is an enlarged perspective view of the area labeled “8” in FIG. 1.

D370,064 S \* 5/1996 Livneh ..... D24/146

The broken line showing portions of the instrument for use in single-access surgery represent an internal boundary of the design, with the lines themselves and the areas within, forming no part of the claimed.

D401,691 S \* 11/1998 Koros et al. .... D24/144

D509,297 S \* 9/2005 Wells ..... D24/145

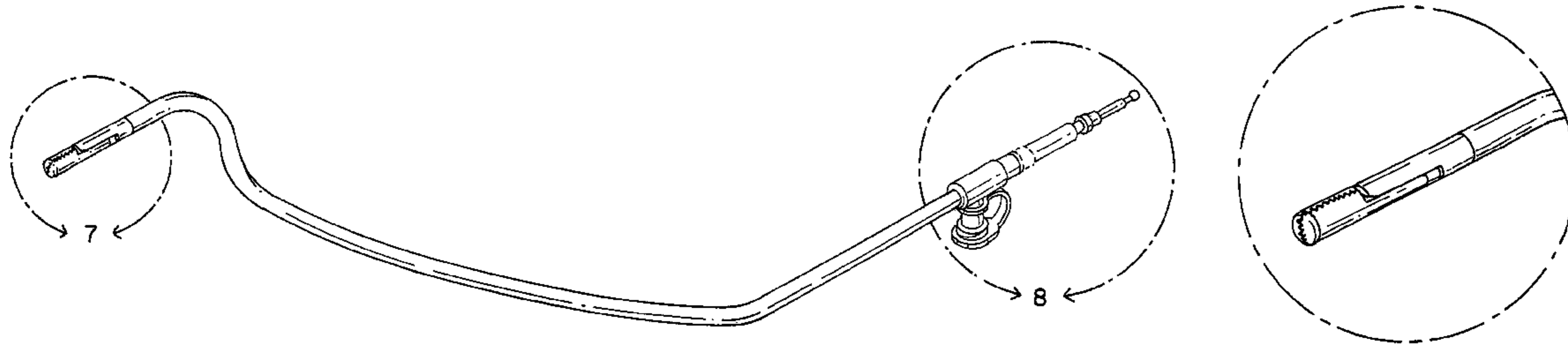
7,461,767 B2 \* 12/2008 Viola et al. .... 606/219

D601,251 S \* 9/2009 Horton et al. .... D24/133

7,666,206 B2 \* 2/2010 Taniguchi et al. .... 606/206

2008/0294191 A1 \* 11/2008 Lee ..... 606/205

**1 Claim, 5 Drawing Sheets**



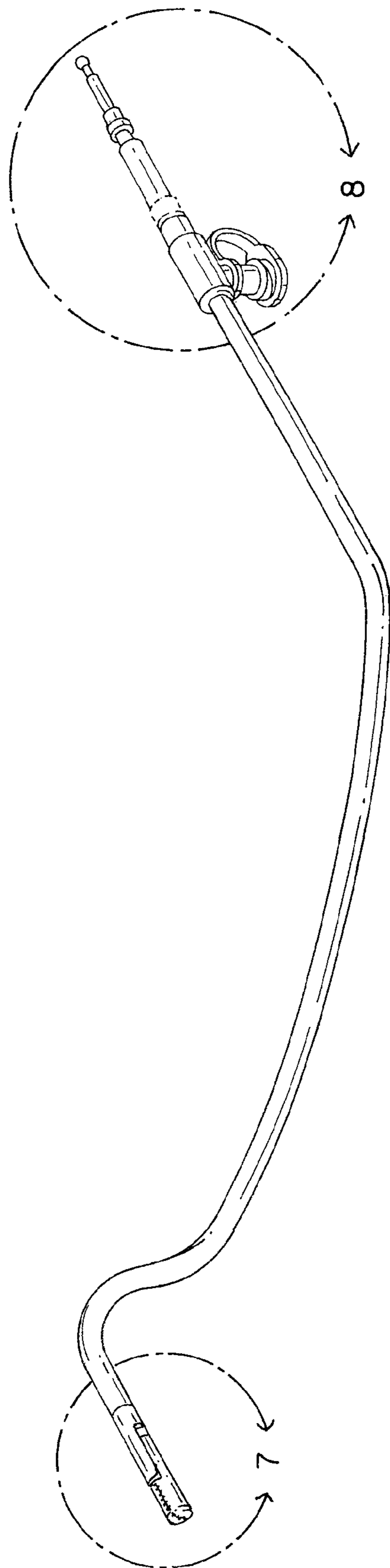


FIG. 1

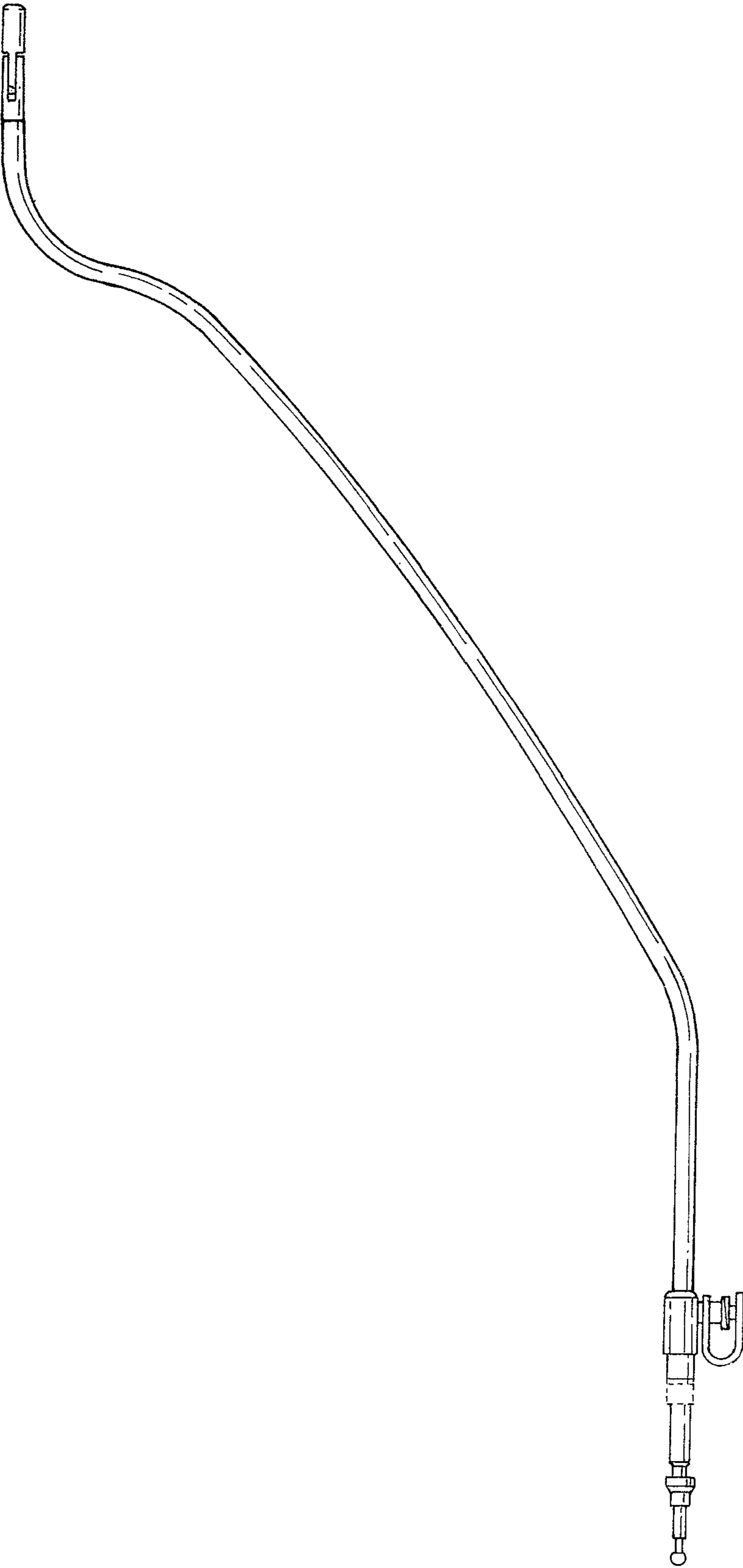
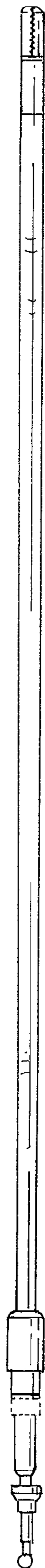
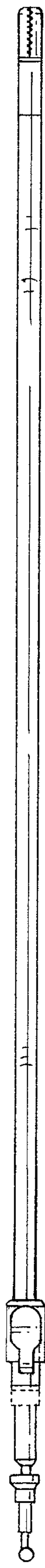


FIG. 2



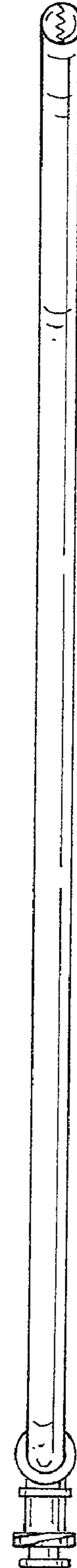
*FIG. 3*



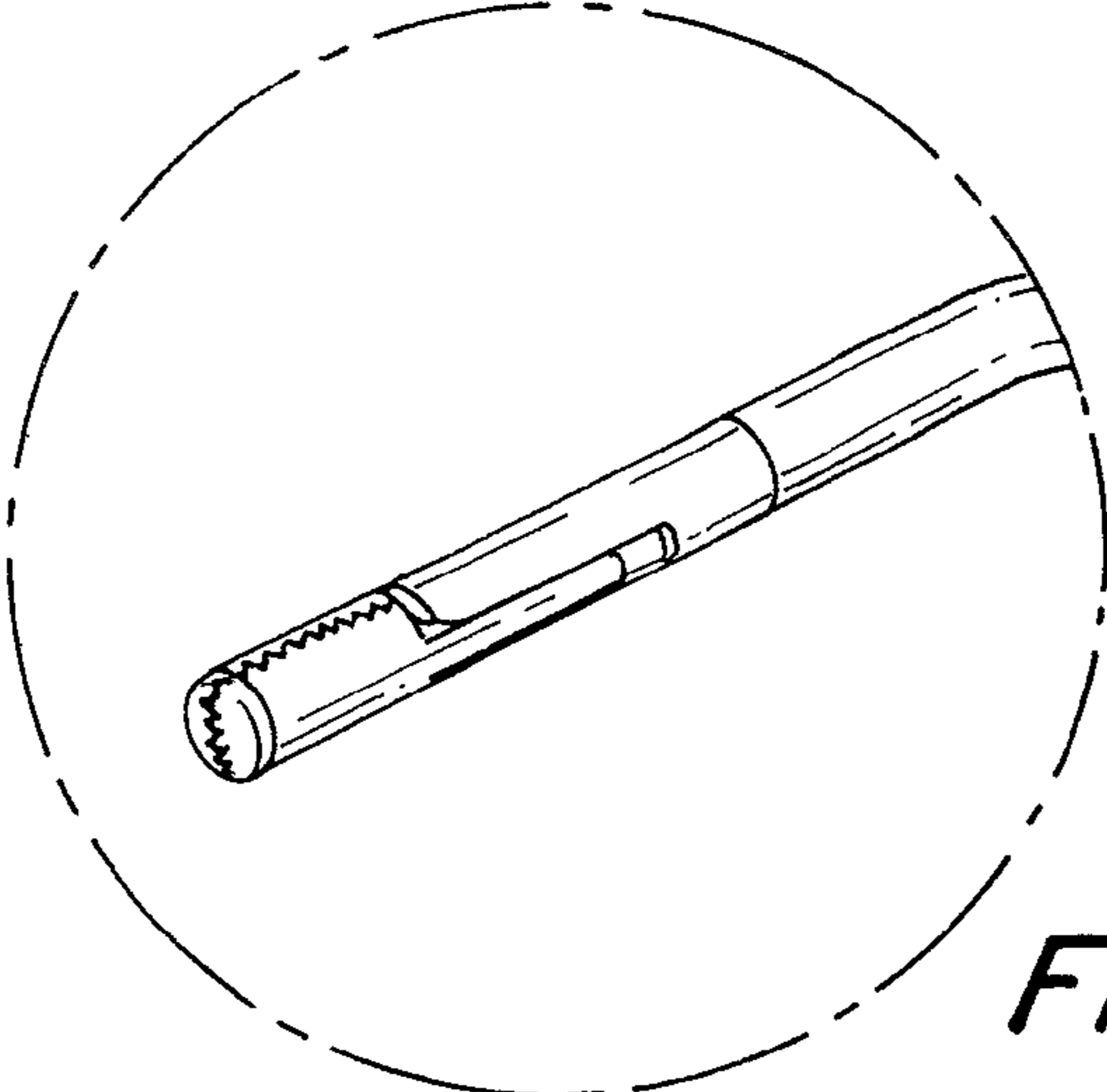
*FIG. 4*



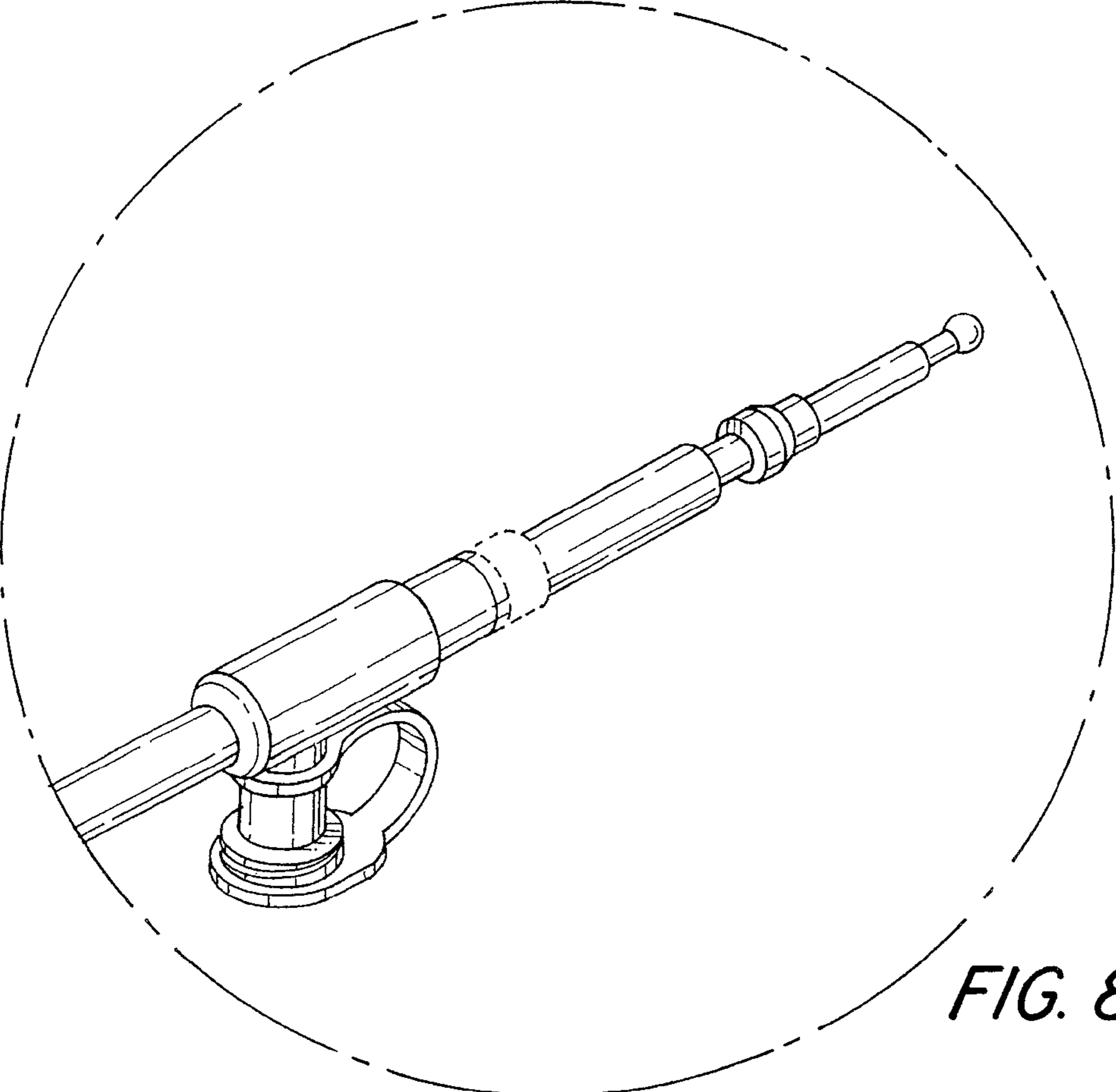
*FIG. 6*



*FIG. 5*



*FIG. 7*



*FIG. 8*