



US00D625805S

(12) **United States Design Patent**  
**Hereford**

(10) **Patent No.:** **US D625,805 S**

(45) **Date of Patent:** **\*\* Oct. 19, 2010**

(54) **NEEDLE GUIDE**

(76) **Inventor:** **Robert Hereford**, 218 A E Eau Gallie Blvd #21, Indian Harbour Beach, FL (US) 32937

(\*\*) **Term:** **14 Years**

(21) **Appl. No.:** **29/346,132**

(22) **Filed:** **Oct. 27, 2009**

(51) **LOC (9) Cl.** ..... **24-02**

(52) **U.S. Cl.** ..... **D24/140; D24/108; D24/129; D24/130; D24/133**

(58) **Field of Classification Search** ..... D24/140, D24/114, 127-128, 130, 133, 108, 129; 604/210, 604/232, 263, 403, 407, 411, 414-415, 198; 141/330, 370, 375

See application file for complete search history.

(56) **References Cited**

**U.S. PATENT DOCUMENTS**

|           |      |         |                  |         |
|-----------|------|---------|------------------|---------|
| 3,610,241 | A *  | 10/1971 | LeMarie          | 604/407 |
| 3,853,158 | A *  | 12/1974 | Whitty           | 141/330 |
| D248,314  | S *  | 6/1978  | Romero et al.    | D24/130 |
| D280,018  | S *  | 8/1985  | Scott            | D24/130 |
| 4,636,201 | A *  | 1/1987  | Ambrose et al.   | 604/263 |
| 5,167,640 | A *  | 12/1992 | Balding          | 604/263 |
| D397,217  | S *  | 8/1998  | Brookfield       | D24/130 |
| 5,894,870 | A *  | 4/1999  | Maxwell          | 604/411 |
| D447,229  | S *  | 8/2001  | Falk             | D24/108 |
| D454,194  | S *  | 3/2002  | Bar-Or           | D24/108 |
| 6,497,697 | B1 * | 12/2002 | Cohn             | 604/414 |
| 6,581,648 | B1 * | 6/2003  | Zolentoff et al. | 604/414 |
| 6,941,983 | B2 * | 9/2005  | Garukyan         | 141/366 |
| 7,041,086 | B2 * | 5/2006  | Yang             | 604/198 |
| 7,201,736 | B2 * | 4/2007  | Hauri            | 604/263 |

\* cited by examiner

*Primary Examiner*—Ian Simmons

*Assistant Examiner*—Wan Laymon

(74) *Attorney, Agent, or Firm*—Mark R. Malek, Esq.; Zies Widerman & Malek, P.L.

(57) **CLAIM**

The ornamental design for a needle guide, as shown and described.

**DESCRIPTION**

FIG. 1 is a rear and left side perspective view of a needle guide according to the present invention.

FIG. 2 is a left side elevation view of a needle guide according to the present invention.

FIG. 3 is a rear elevation view of a needle guide according to the present invention.

FIG. 4 is a bottom plan view of a needle guide according to the present invention.

FIG. 5 is a top plan view of a needle guide according to the present invention.

FIG. 6 is a front elevation view of a needle guide according to the present invention.

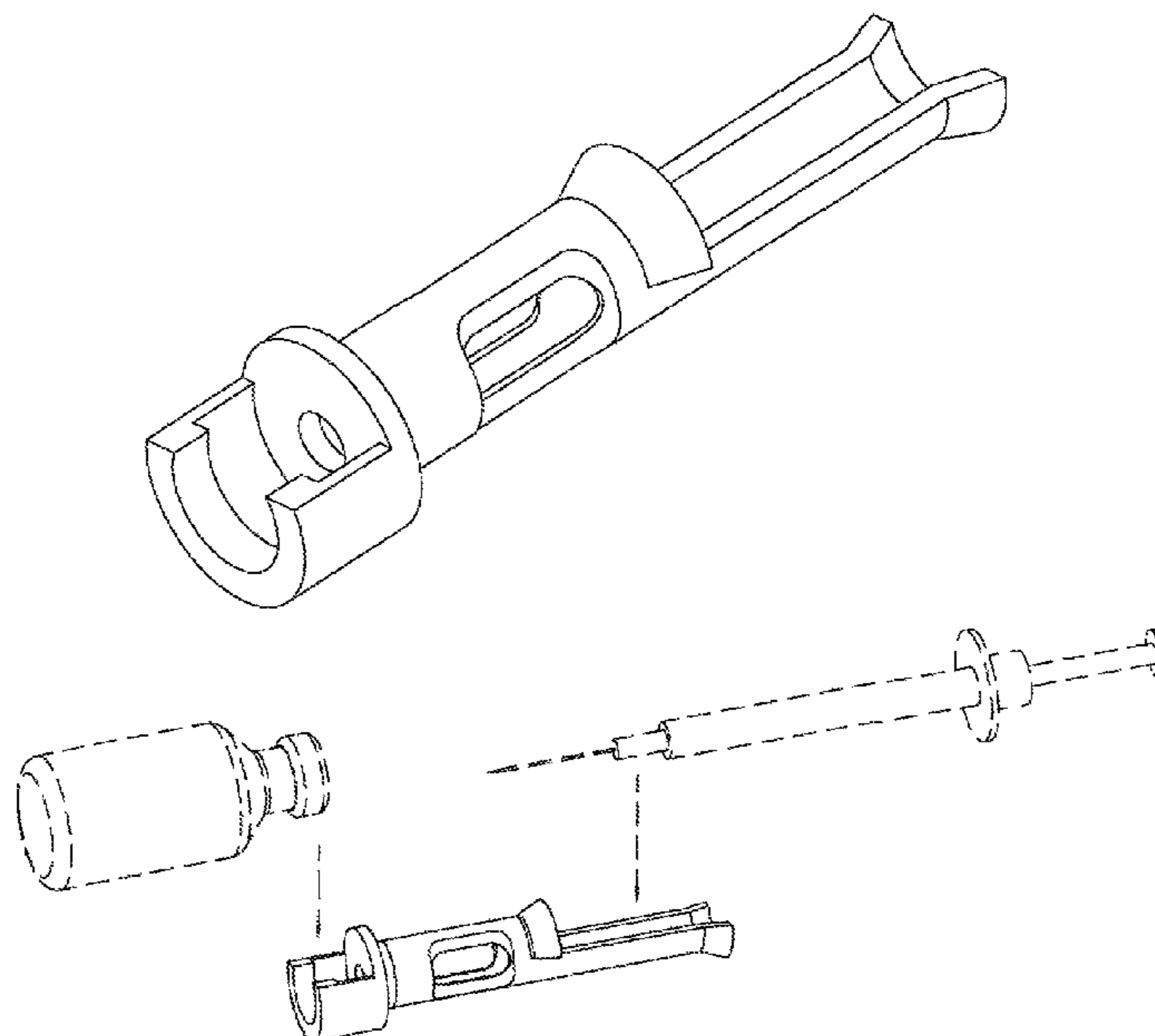
FIG. 7 is a right side elevation view of a needle guide according to the present invention.

FIG. 8 is another perspective view of a needled guide according to the present invention; and,

FIG. 9 is another perspective view of a needled guide according to the present invention.

The broken lines showing the vial and a syringe of the needle guide in FIGS. 8 and 9 are included for the purpose of illustrating environmental structure and form no part of the claimed design.

**1 Claim, 4 Drawing Sheets**



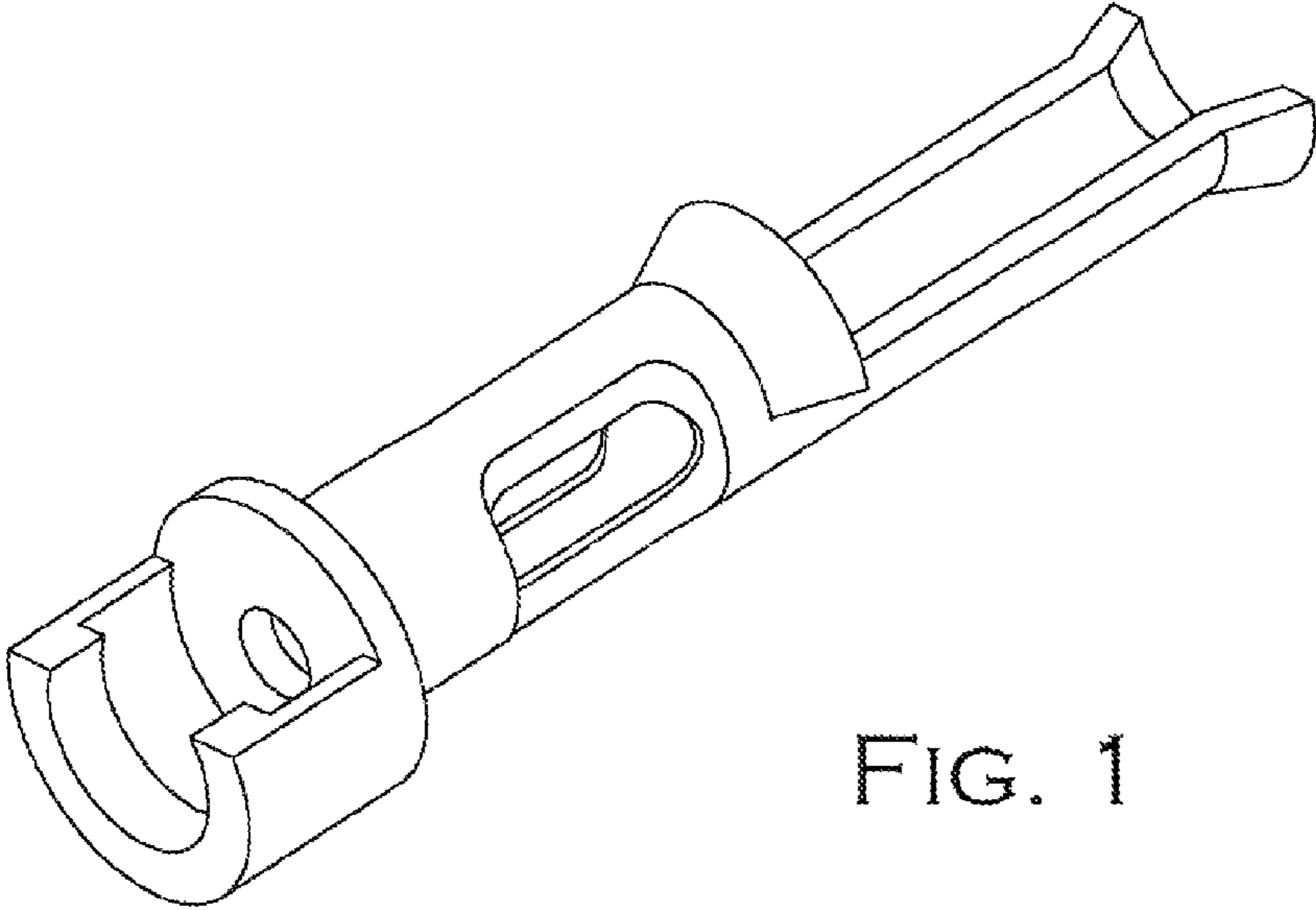


FIG. 1

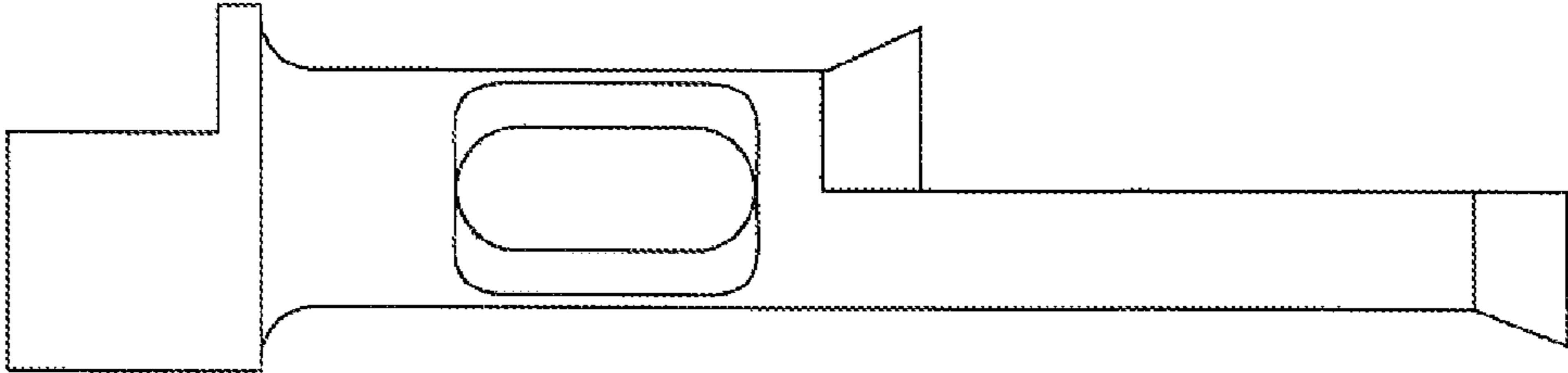


FIG. 2

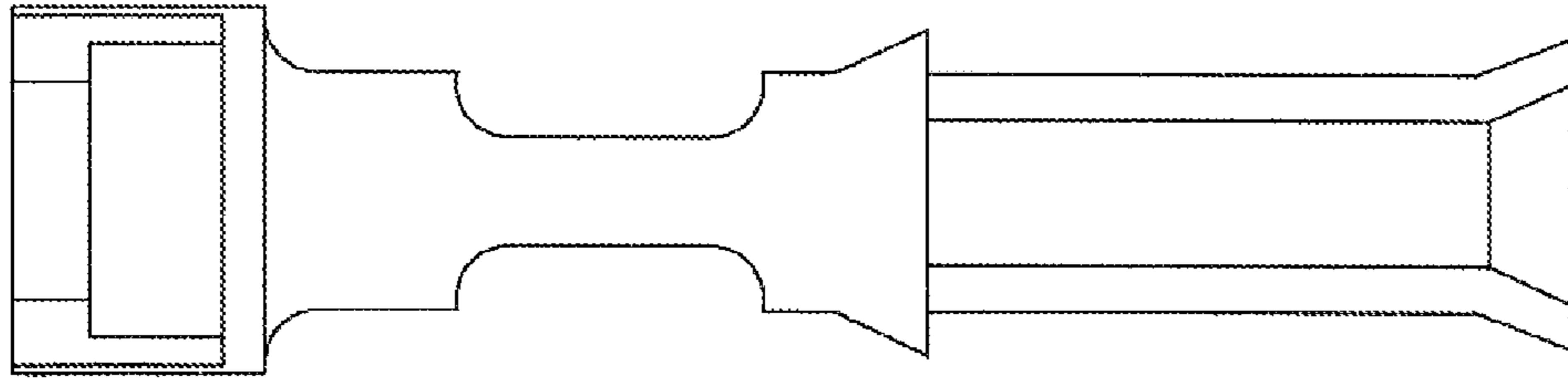


FIG. 3

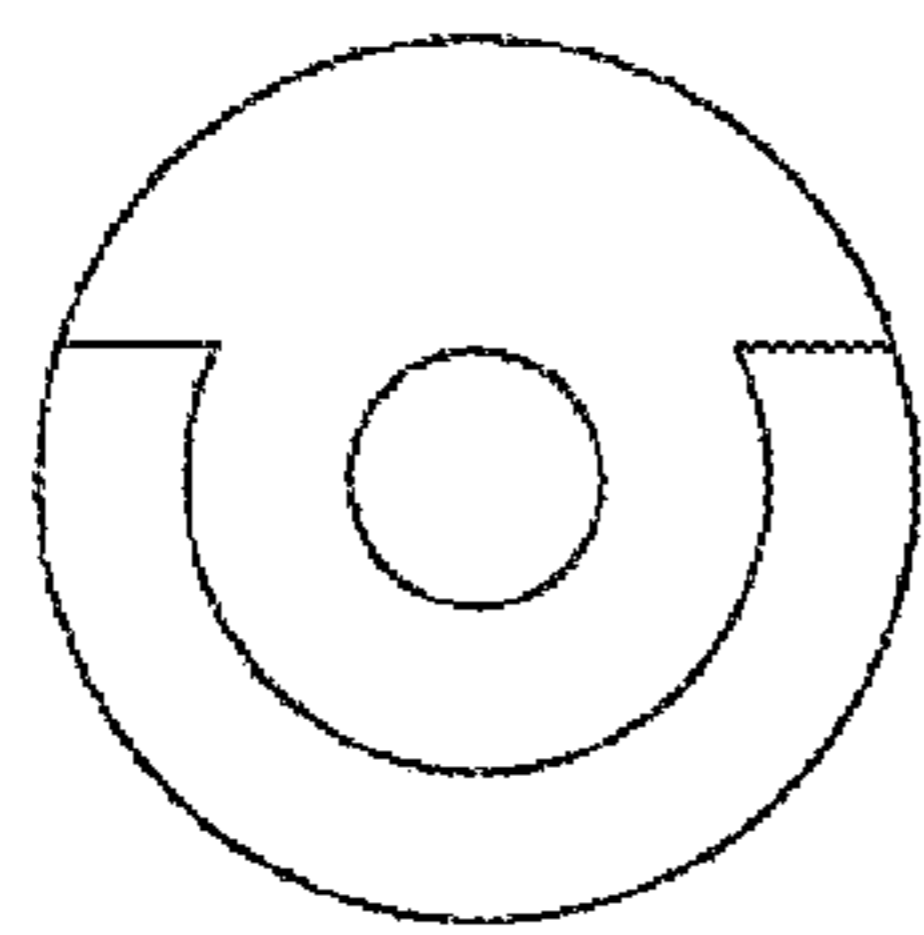


FIG. 4

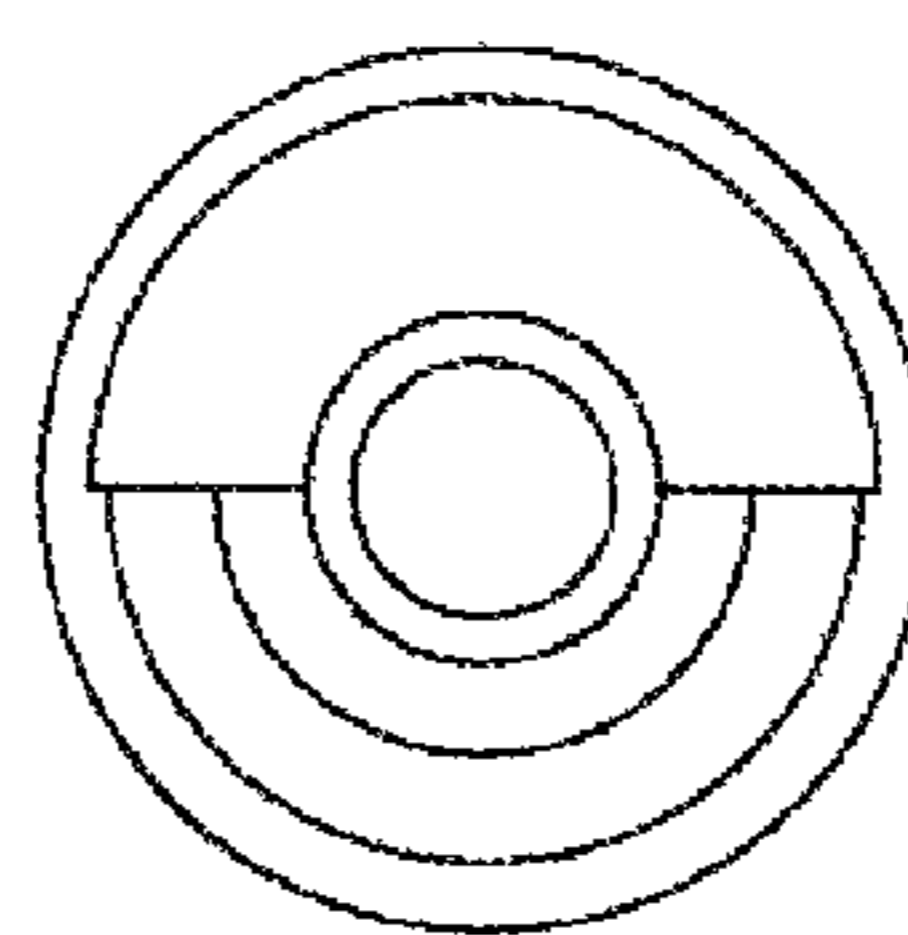


FIG. 5

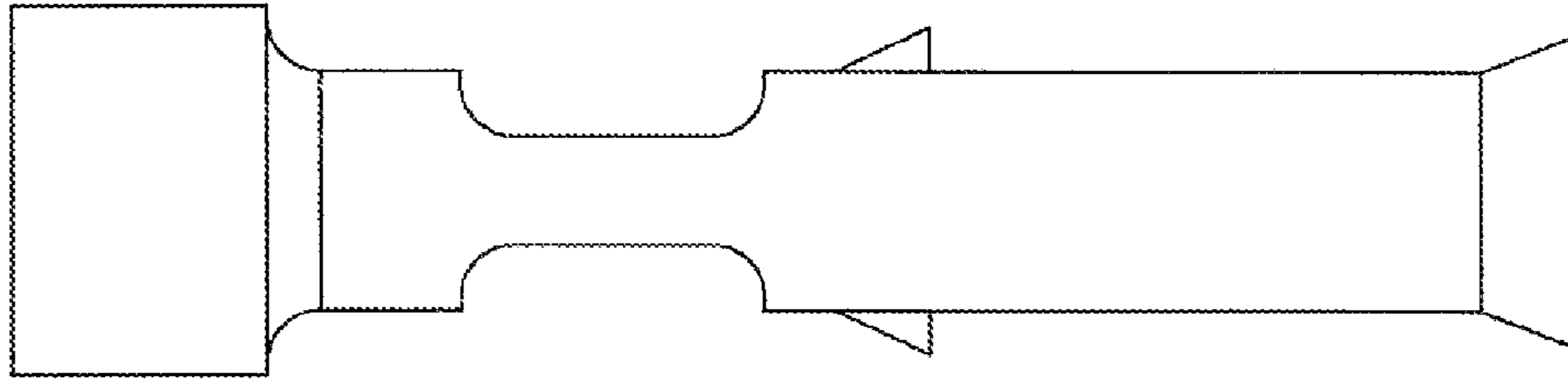


FIG. 6

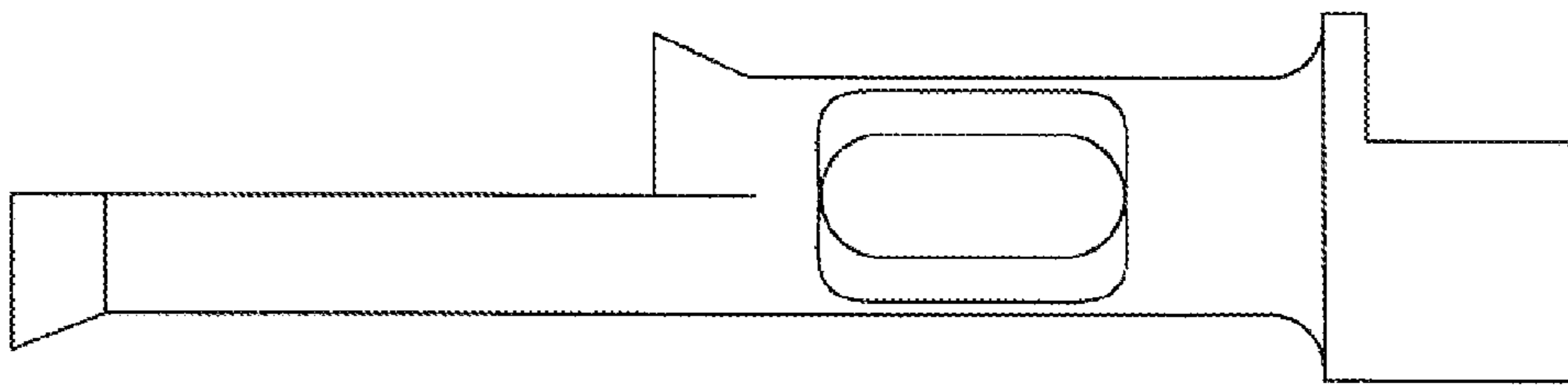


FIG. 7

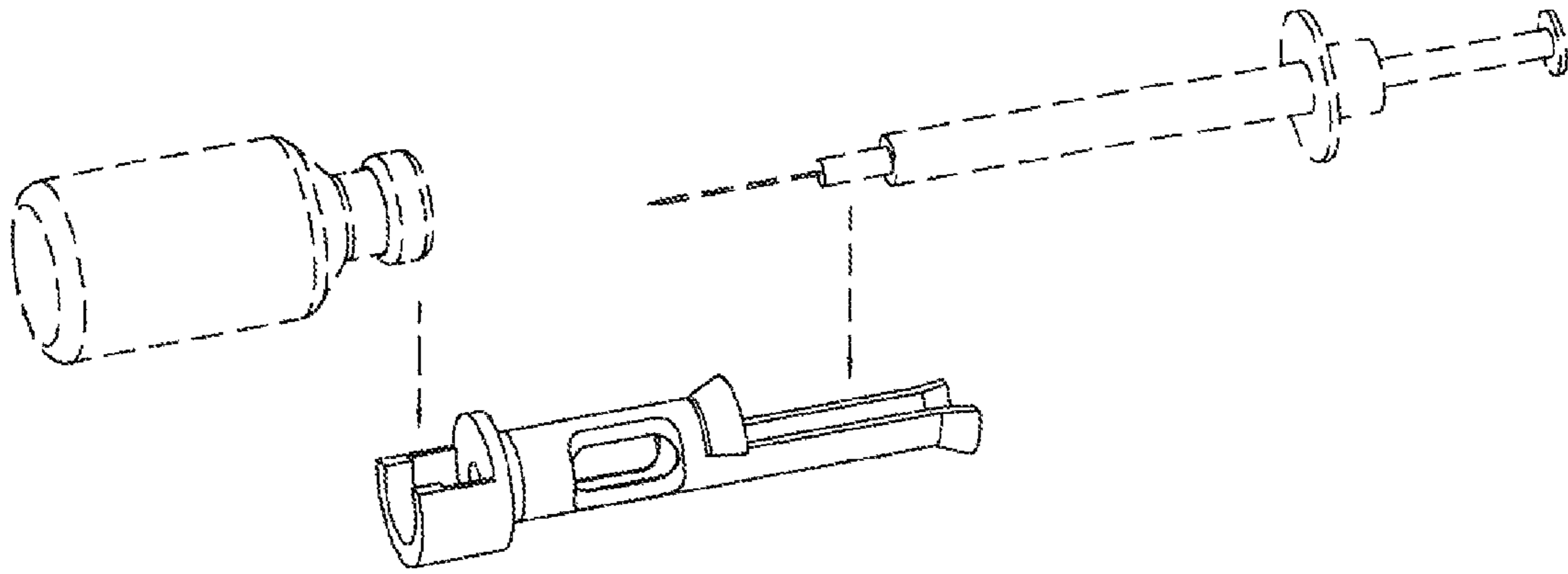


FIG. 8

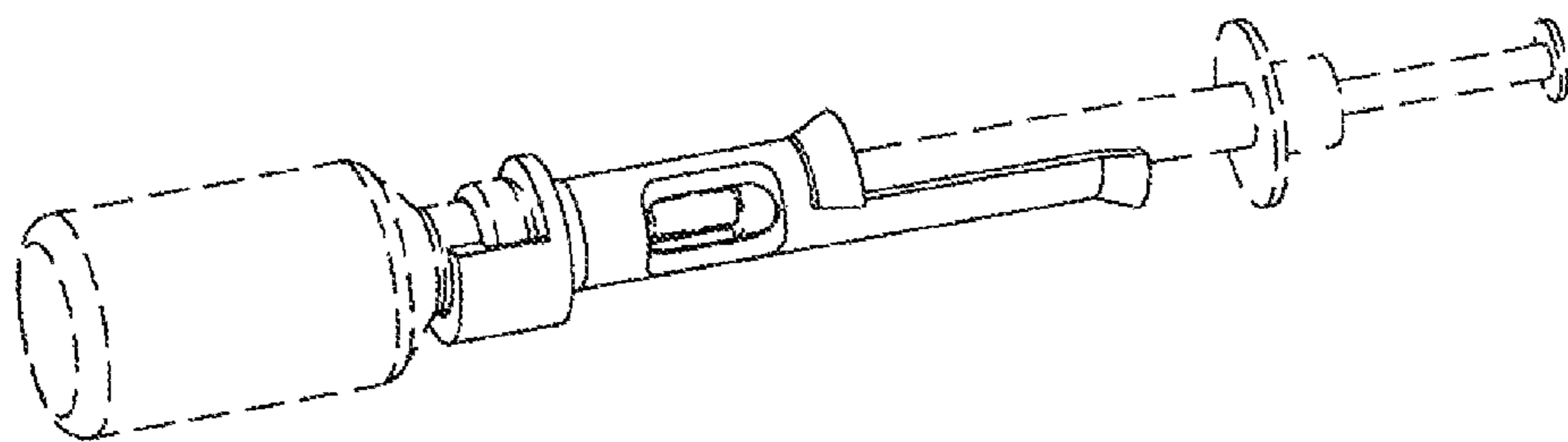


FIG. 9