



US00D625804S

(12) **United States Design Patent**  
**Sternberger**

(10) **Patent No.:** **US D625,804 S**  
(45) **Date of Patent:** **\*\* Oct. 19, 2010**

- (54) **STETHOSCOPE CHEST PIECE**
- (75) Inventor: **Seth Sternberger**, Simi, CA (US)
- (73) Assignee: **Rashman Corporation**, Northridge, CA (US)
- (\*\*) Term: **14 Years**
- (21) Appl. No.: **29/350,462**
- (22) Filed: **Nov. 17, 2009**

5,949,032	A *	9/1999	Wurzburger	.....	181/131
6,279,677	B1 *	8/2001	Sanchez-Zambrano	.....	181/131
6,523,639	B1 *	2/2003	Shieh	.....	181/131
D583,940	S *	12/2008	Wong	.....	D24/134
D589,144	S *	3/2009	Bagha et al.	.....	D24/134
2004/0226771	A1 *	11/2004	Werblud	.....	181/131
2006/0098825	A1 *	5/2006	Katz	.....	381/67

\* cited by examiner

*Primary Examiner*—Bridget L Eland  
(74) *Attorney, Agent, or Firm*—Blakely, Sokoloff, Taylor & Zafman

- (51) **LOC (9) Cl.** ..... **24-02**
- (52) **U.S. Cl.** ..... **D24/134**
- (58) **Field of Classification Search** ..... D24/133, D24/134, 135, 136, 137, 138, 139, 140, 141, D24/142, 143, 146, 150, 152, 144, 145, 147, D24/148, 149, 151, 153, 154, 127, 128, 129, D24/130, 106–108, 112, 111, 200; D23/233, D23/235; D8/40, 47, 57, 60, 67, 68, 69, D8/80, 82, 83, 84, 93, 94, 97, 107; 600/184, 600/201–203, 210–218, 220–223, 224, 225–227; 606/7, 86 A, 86 B, 119; 181/131, 132, 133, 181/137

See application file for complete search history.

(56) **References Cited**

**U.S. PATENT DOCUMENTS**

D213,257	S *	1/1969	Littmann	.....	D24/134
D214,002	S *	4/1969	Machlup et al.	.....	D24/134
3,867,925	A *	2/1975	Ersek	.....	600/528
4,212,368	A *	7/1980	Allen	.....	181/131
D353,196	S *	12/1994	Savage et al.	.....	D24/134
D361,840	S *	8/1995	Savage et al.	.....	D24/134

(57) **CLAIM**

The ornamental design for stethoscope chest piece, as shown and described.

**DESCRIPTION**

FIG. 1 is a top plan view of the invented stethoscope chest piece design;

FIG. 2 is a front elevation view thereof;

FIG. 3 is a bottom plan view thereof;

FIG. 4 is a rear elevation view thereof;

FIG. 5 is a side elevation view thereof;

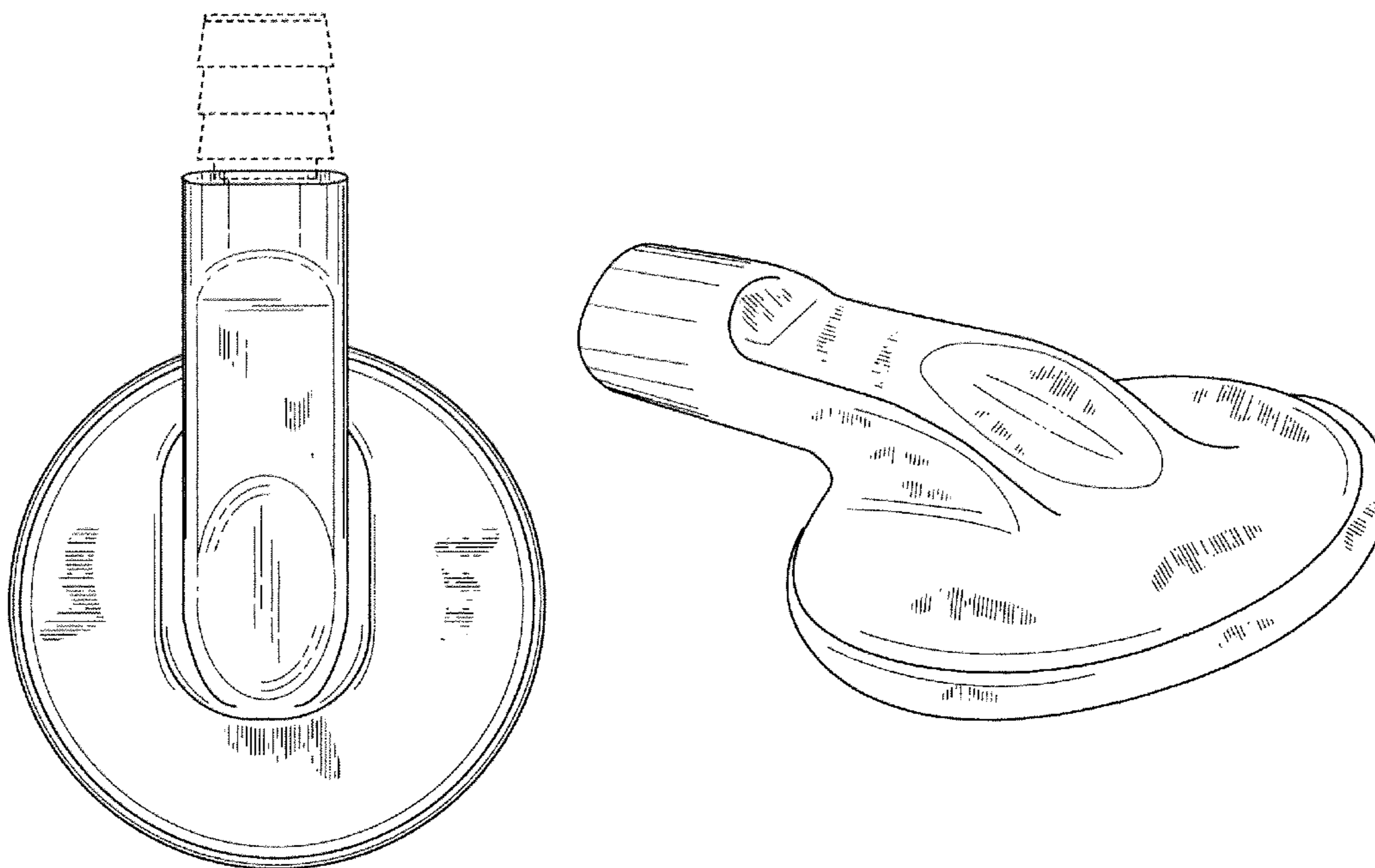
FIG. 6 is a side elevation on the other side thereof;

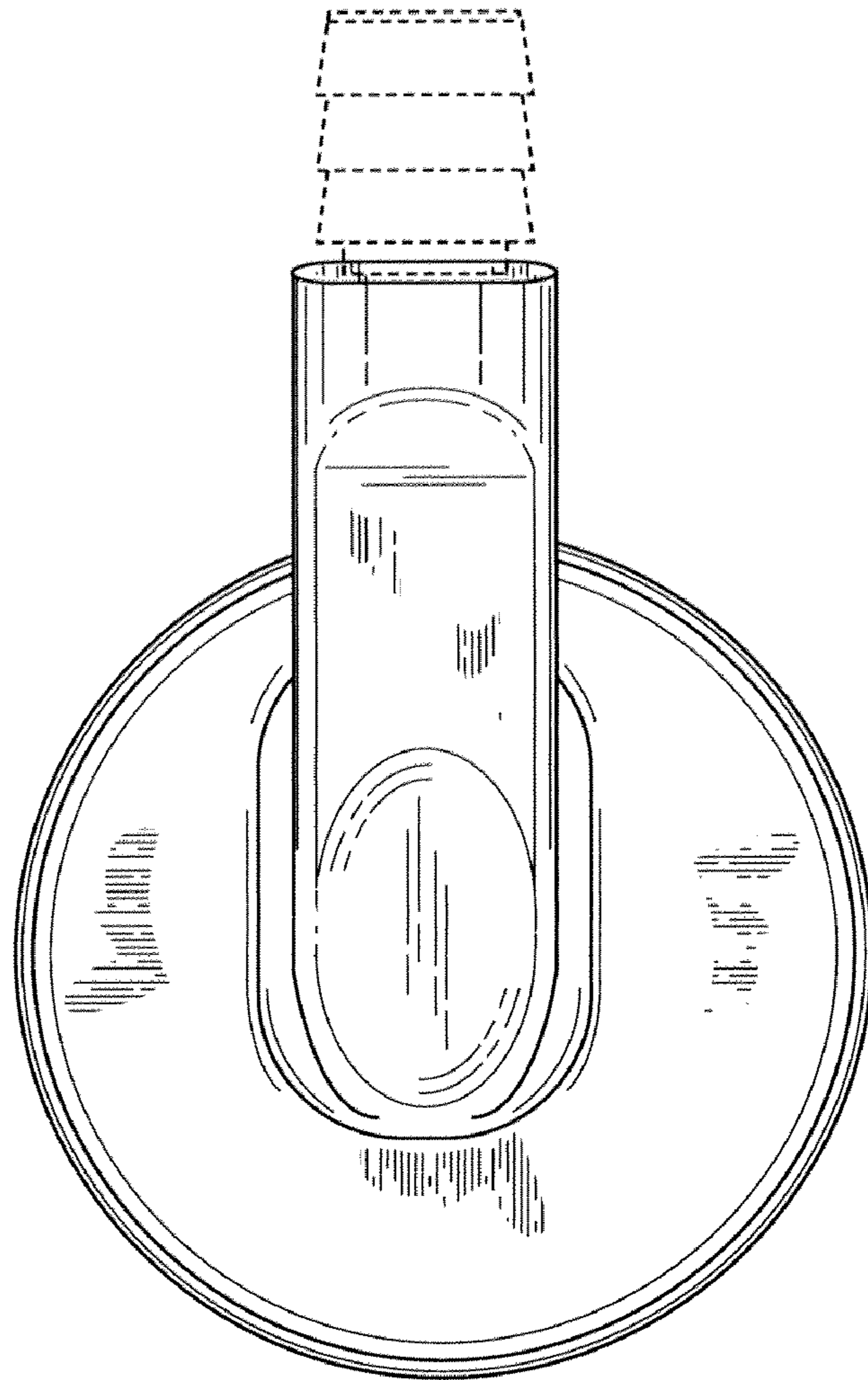
FIG. 7 is a top, side perspective view thereof; and,

FIG. 8 is a perspective view thereof showing the environment in which the stethoscope chest piece design is utilized.

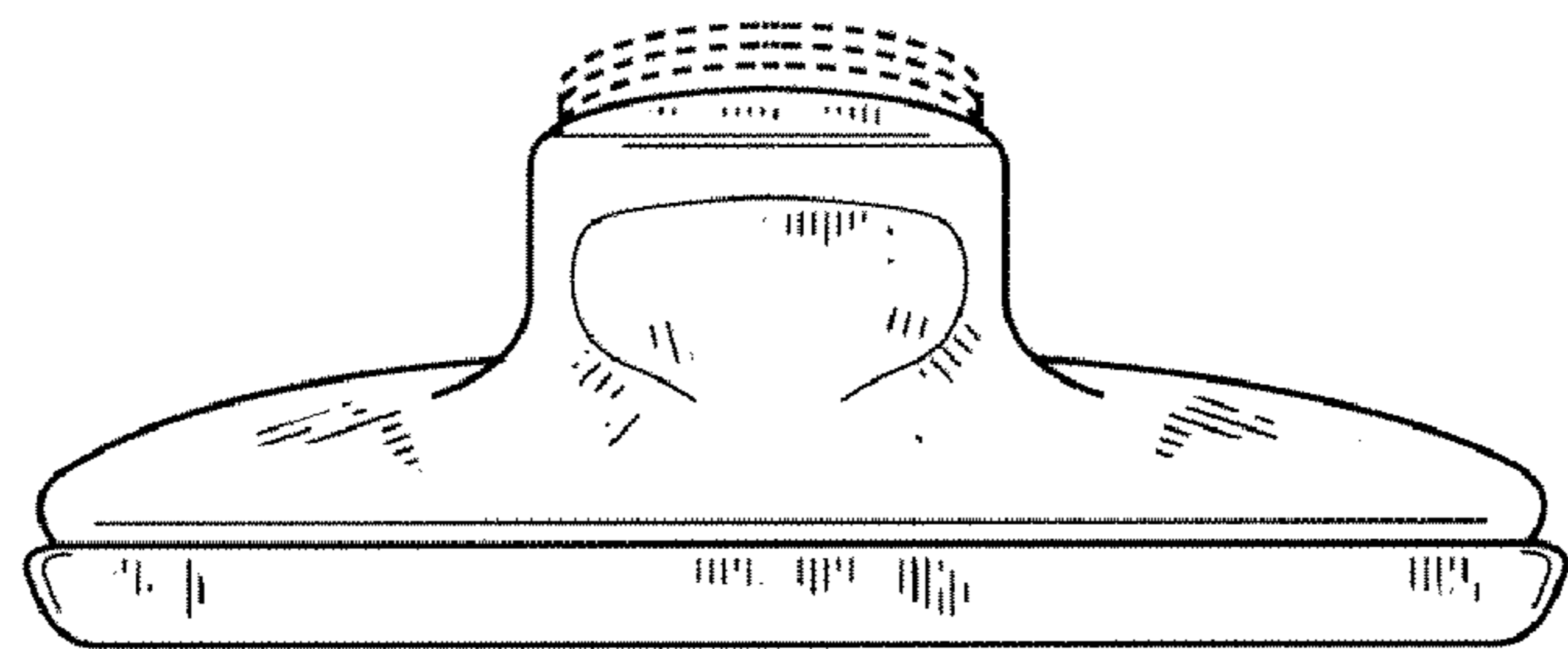
The portions of the figures shown in dotted lines are to show environment, and do not form part of the claimed design.

**1 Claim, 5 Drawing Sheets**

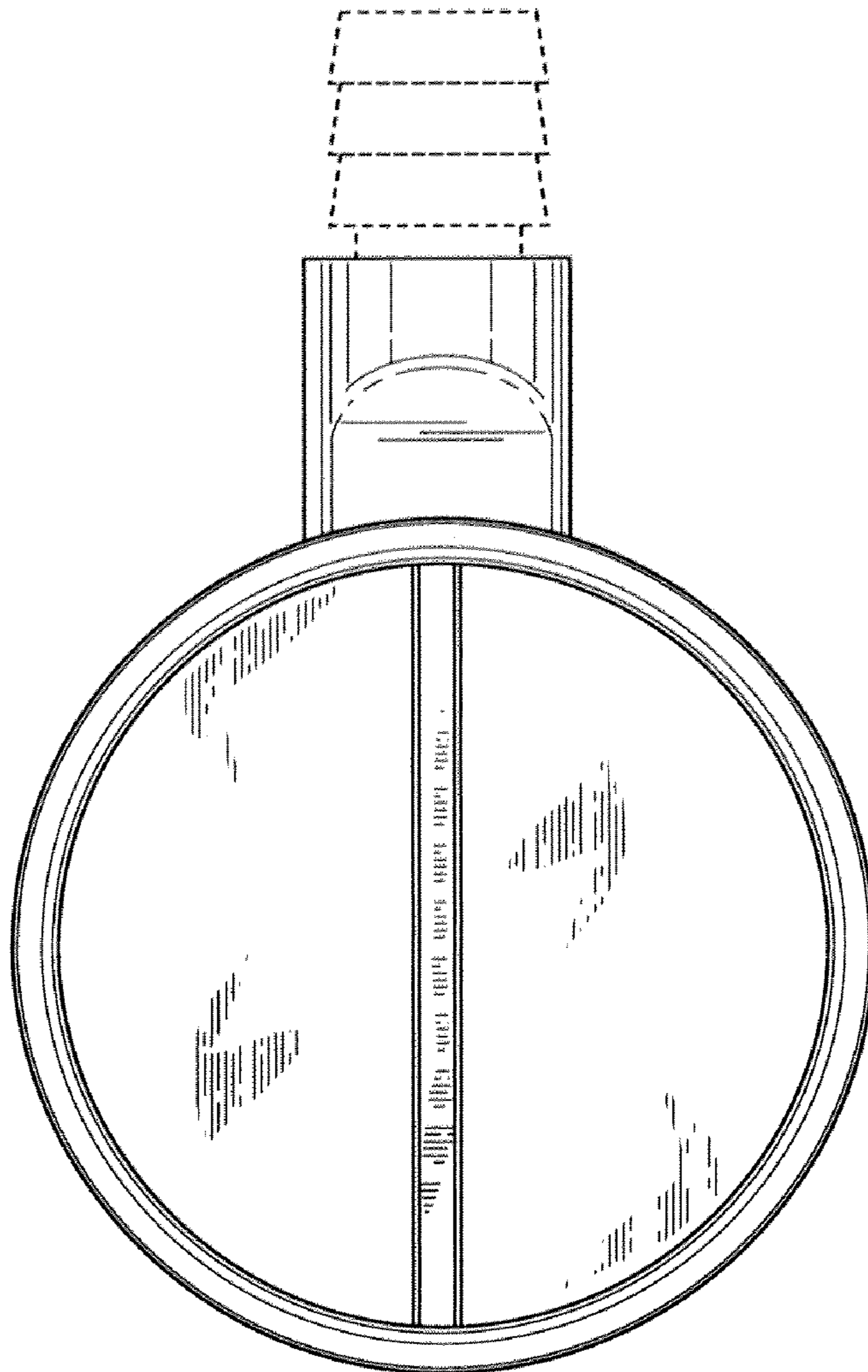




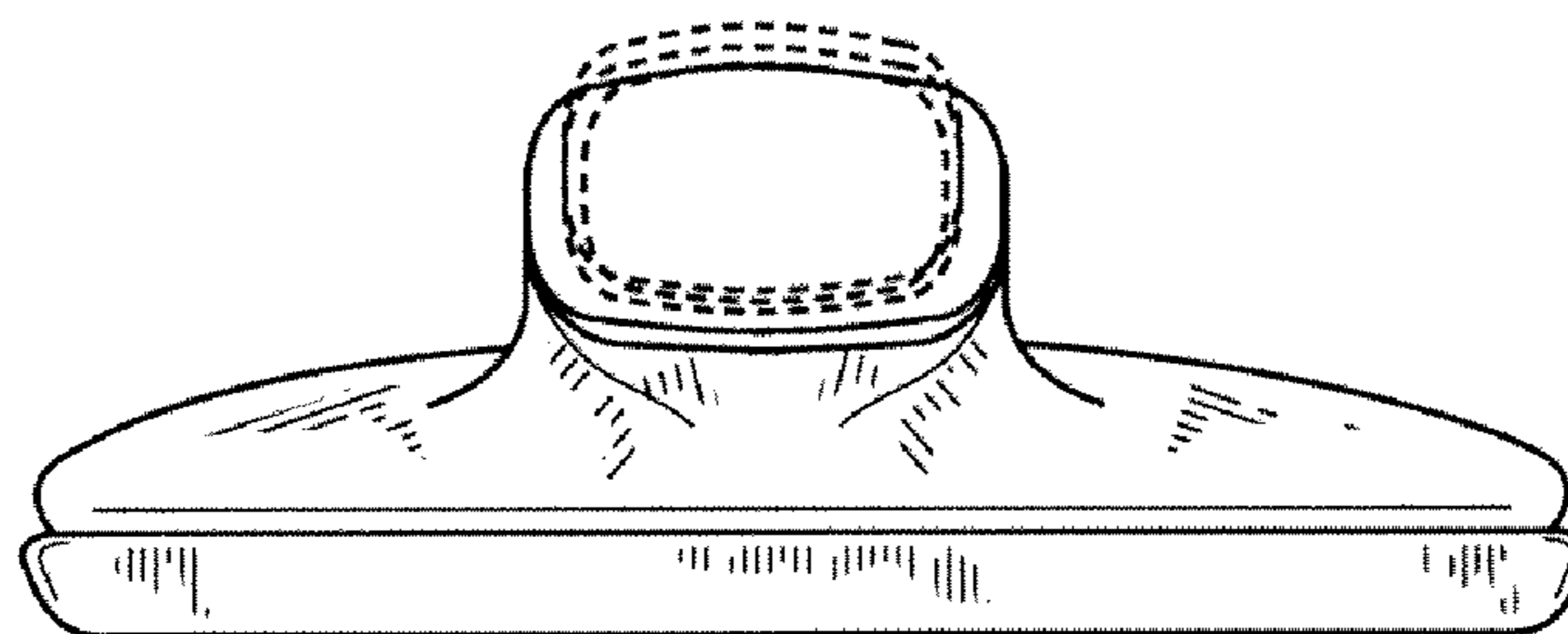
**FIG. 1**



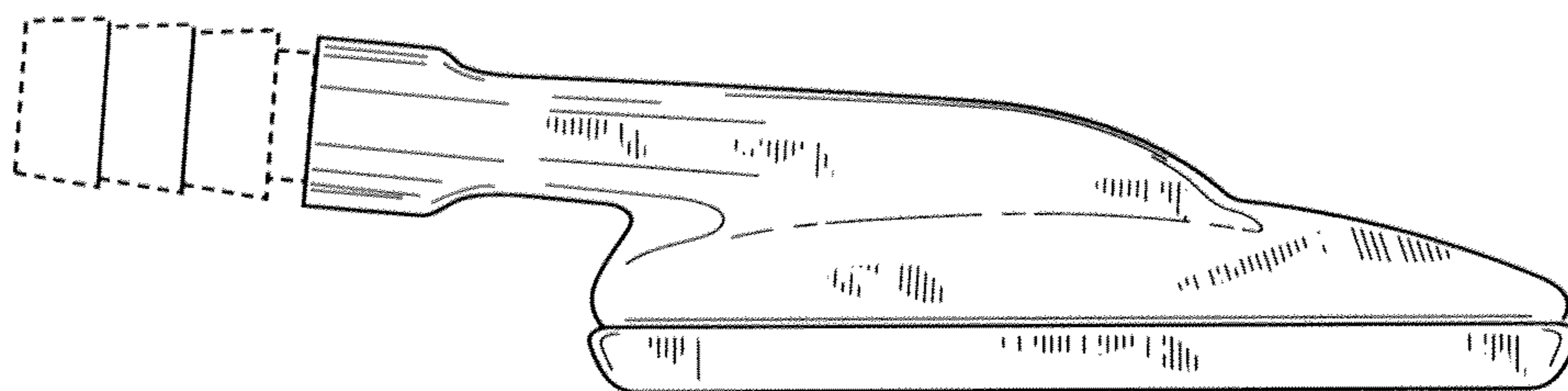
**FIG. 2**



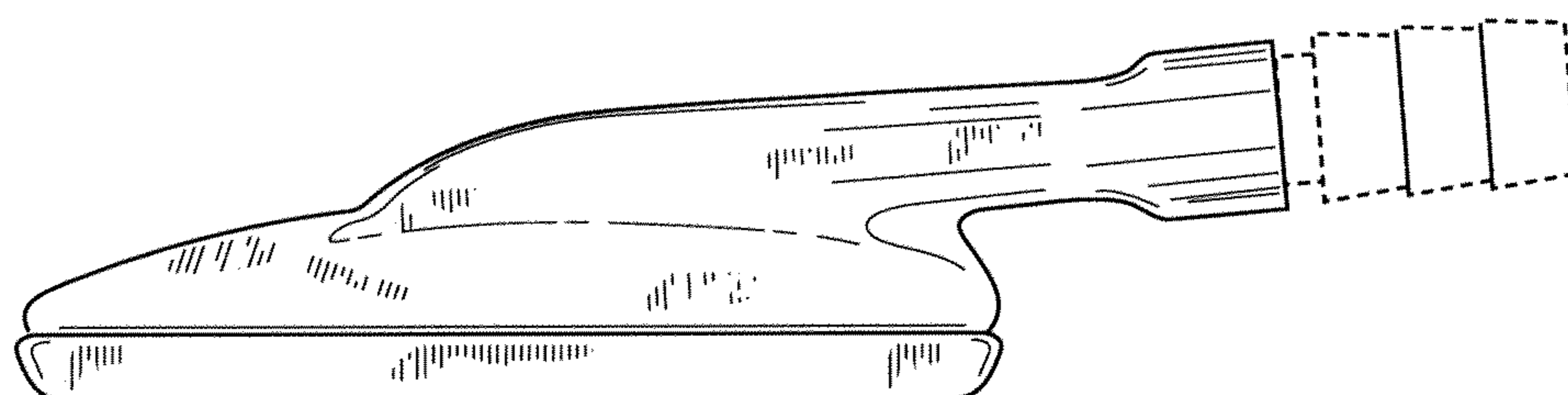
**FIG. 3**



**FIG. 4**



**FIG. 5**



**FIG. 6**



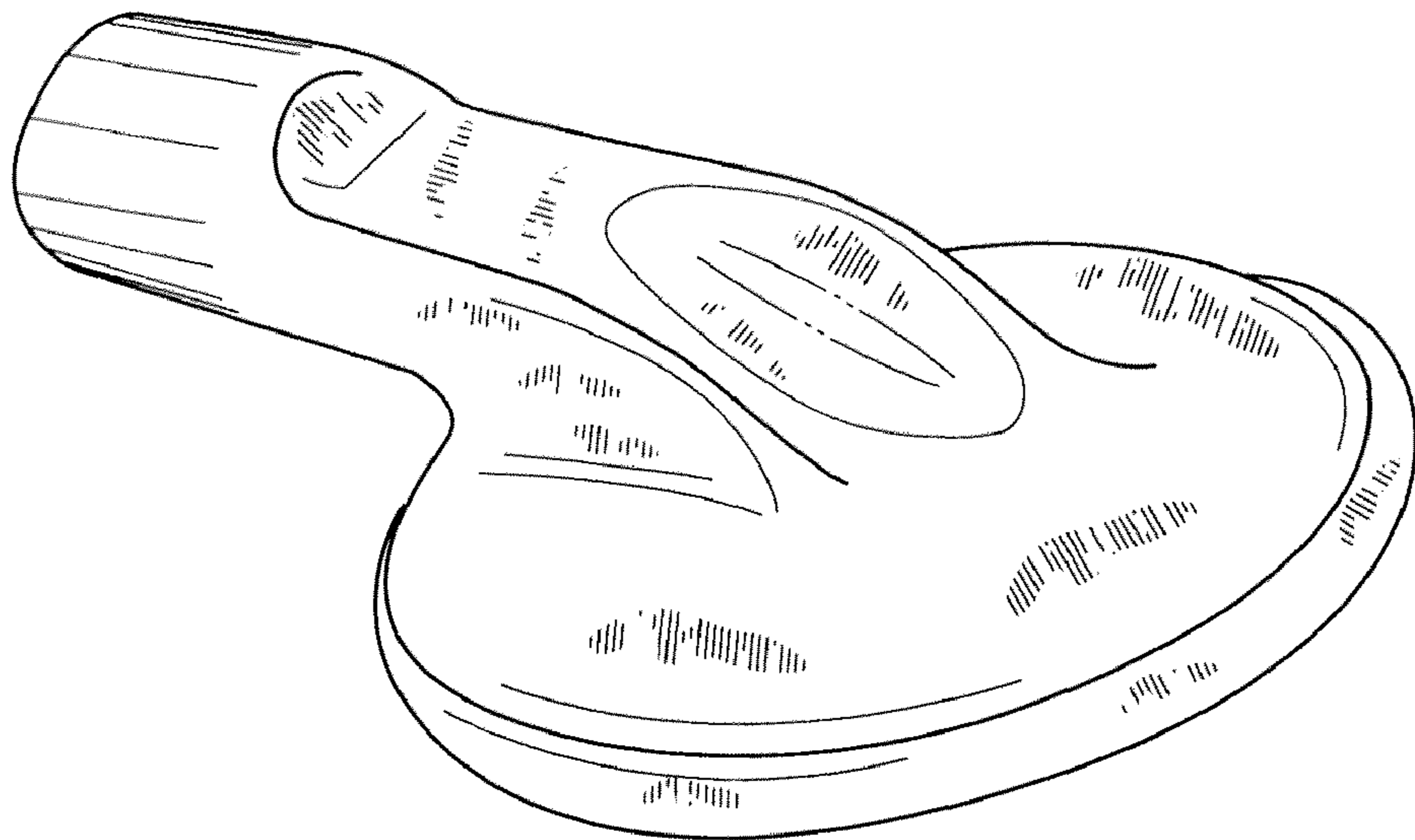


FIG. 7

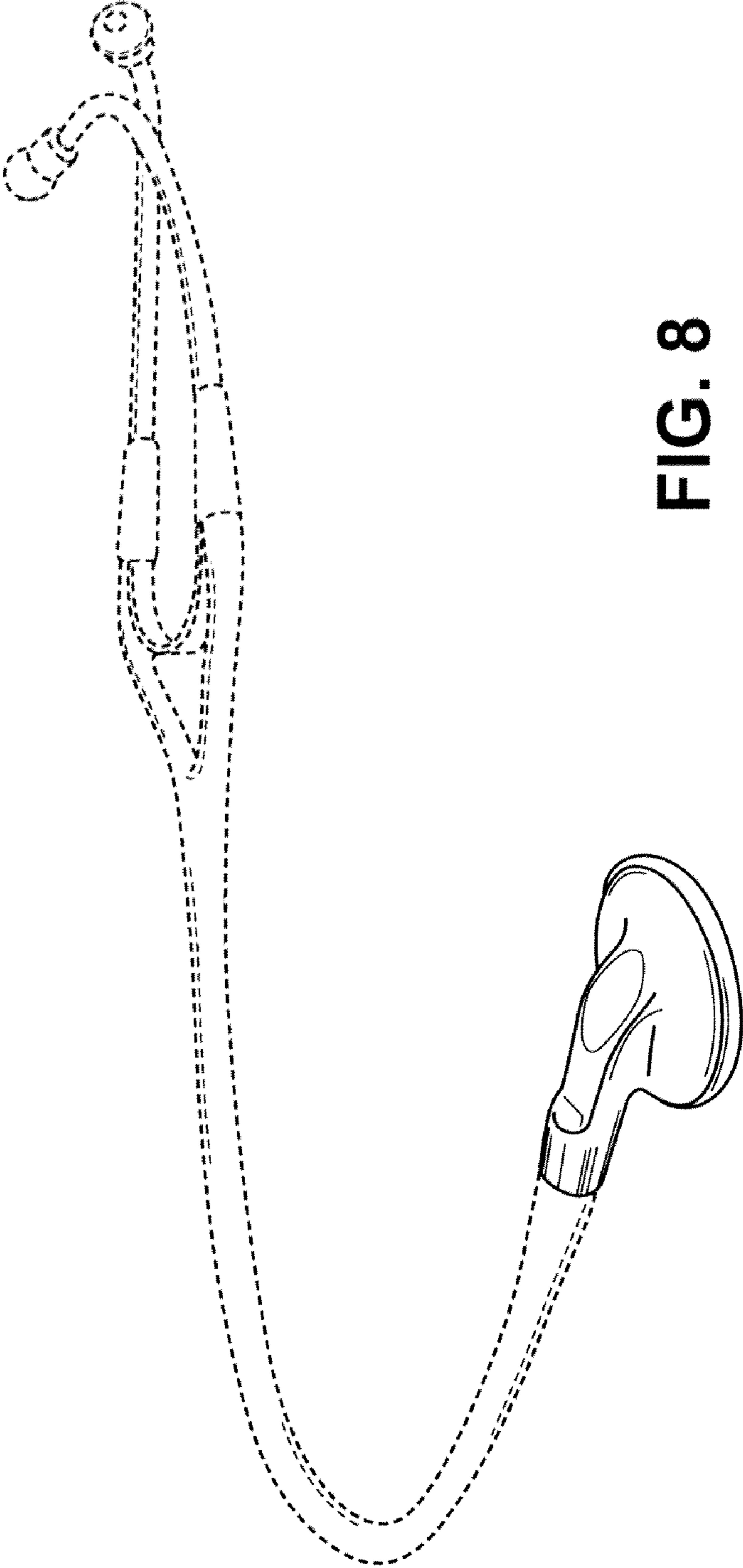


FIG. 8