



US00D625802S

(12) **United States Design Patent**
Choi et al.

(10) **Patent No.:** **US D625,802 S**

(45) **Date of Patent:** **** Oct. 19, 2010**

(54) **AIDING TOOL FOR SELF-INJECTION**

TW D124306 9/1996

(75) Inventors: **Sungsook Choi**, Tokyo (JP); **Toshihiro Funaki**, Tokyo (JP); **Hiroshi Okada**, Kamisu (JP); **Kiyohisa Endo**, Tokyo (JP)

* cited by examiner

Primary Examiner—Lisa P Lichtenstein
(74) *Attorney, Agent, or Firm*—Drinker Biddle & Reath LLP

(73) Assignee: **Wyeth**, Madison, NJ (US)

(57) **CLAIM**

(**) Term: **14 Years**

The ornamental design for an aiding tool for self-injection, as shown and described.

(21) Appl. No.: **29/327,149**

(22) Filed: **Oct. 31, 2008**

DESCRIPTION

(30) **Foreign Application Priority Data**

May 2, 2008 (JP) 2008-011264

(51) **LOC (9) Cl.** **24-02**

(52) **U.S. Cl.** **D24/133**

(58) **Field of Classification Search** D24/108,
D24/141, 133, 140; 604/181, 57, 215, 59,
604/11; 600/114

FIG. 1 is a front elevational view of an aiding tool for self-injection showing our new design;

FIG. 2 is a top plan view thereof;

FIG. 3 is a bottom plan view thereof;

FIG. 4 is a rear elevational view thereof;

FIG. 5 is a right side elevational view thereof;

FIG. 6 is a left side elevational view thereof;

FIG. 7 is a perspective view thereof;

FIG. 8 is a perspective view thereof when the cover of the body slides;

FIG. 9 is a perspective view thereof when the cover is opened;

FIG. 10 is a reference view thereof how a syringe is attached;

FIG. 11 is a reference view thereof when a syringe is attached;

FIG. 12 is a reference view thereof when the cover of the body is closed after a syringe is attached;

FIG. 13 is a reference view thereof when a cap of a syringe is removed;

FIG. 14 is a reference view No. 1 thereof showing the article is used by a patient; and,

FIG. 15 is a reference view No. 2 thereof showing the article is used by a patient.

The broken line showing of portions of the syringe and the patient is included for the purpose of illustrating environmental structure and forms no part of the claimed design.

See application file for complete search history.

(56) **References Cited**

U.S. PATENT DOCUMENTS

6,585,685 B2 * 7/2003 Staylor et al. 604/68
D504,512 S * 4/2005 Fournier D24/141

FOREIGN PATENT DOCUMENTS

JP	D1082435	8/2000
JP	D1274587	6/2006
JP	D1288170	12/2006
JP	D1332073	6/2008
KR	30-0289753	1/2002
KR	30-0451541	6/2007
TW	464342	11/1989
TW	537840	10/1990
TW	559533	11/1991
TW	D114434	1/1995
TW	D124305	9/1996

1 Claim, 6 Drawing Sheets

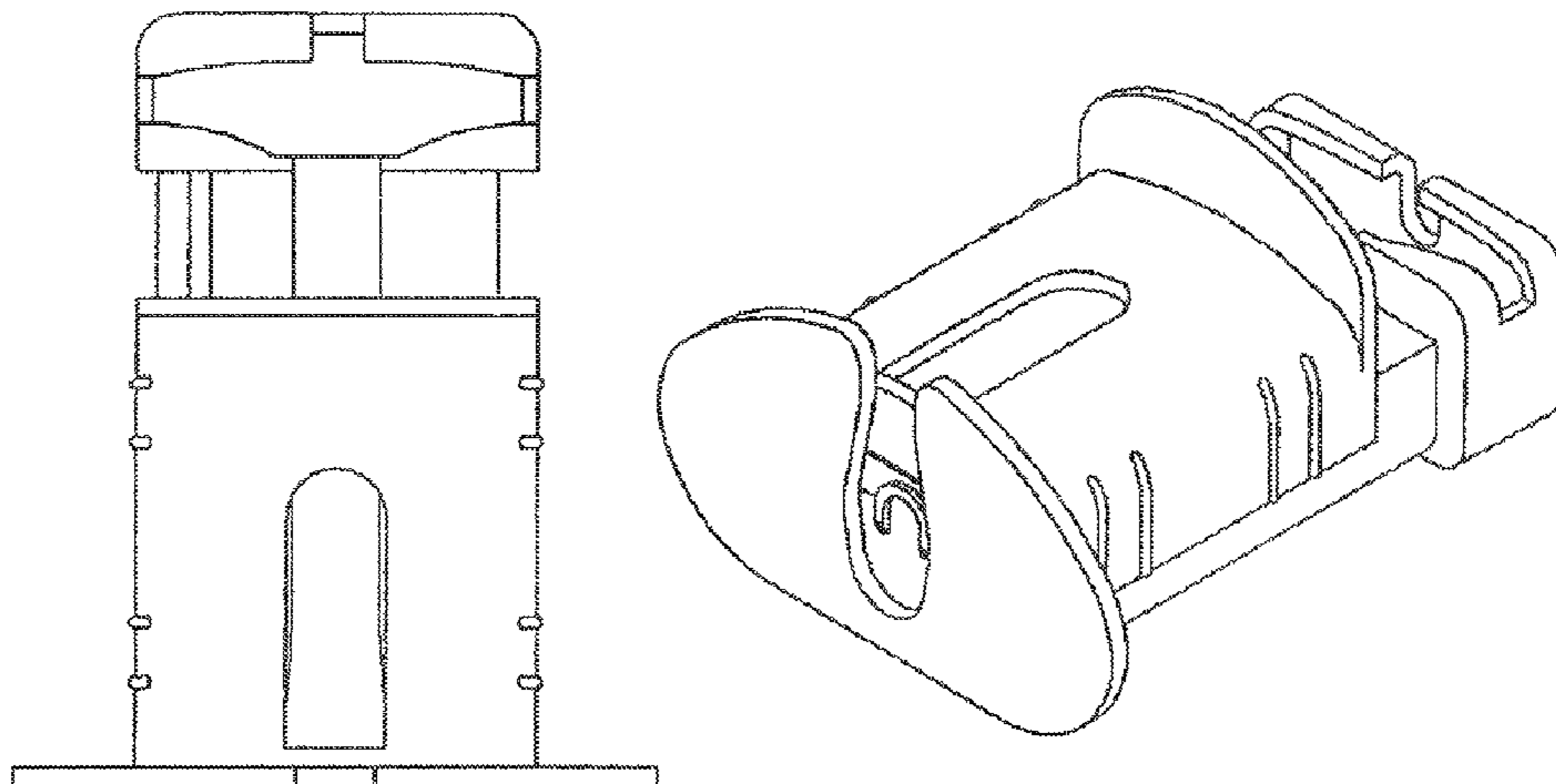


Fig. 1

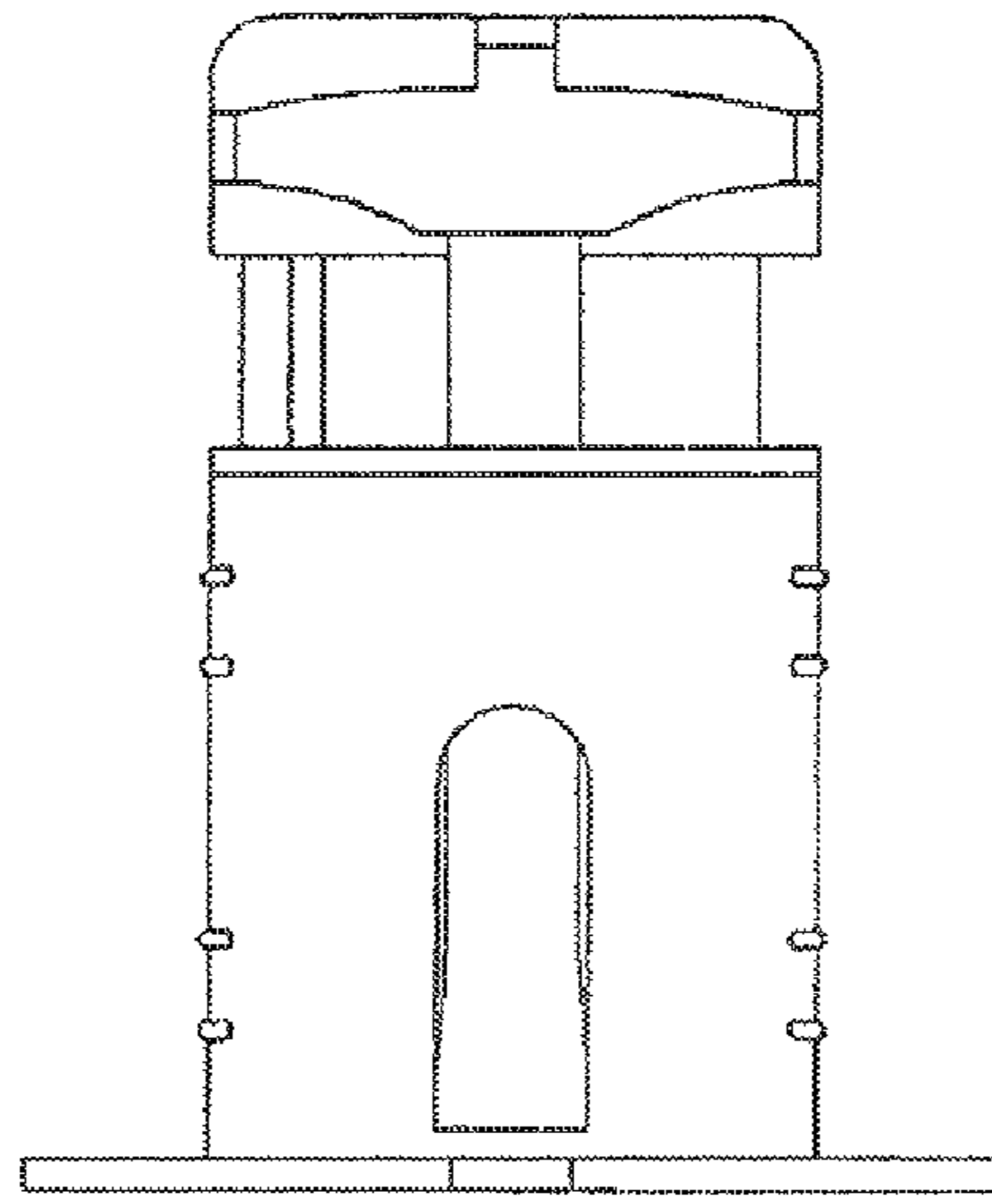


Fig. 2

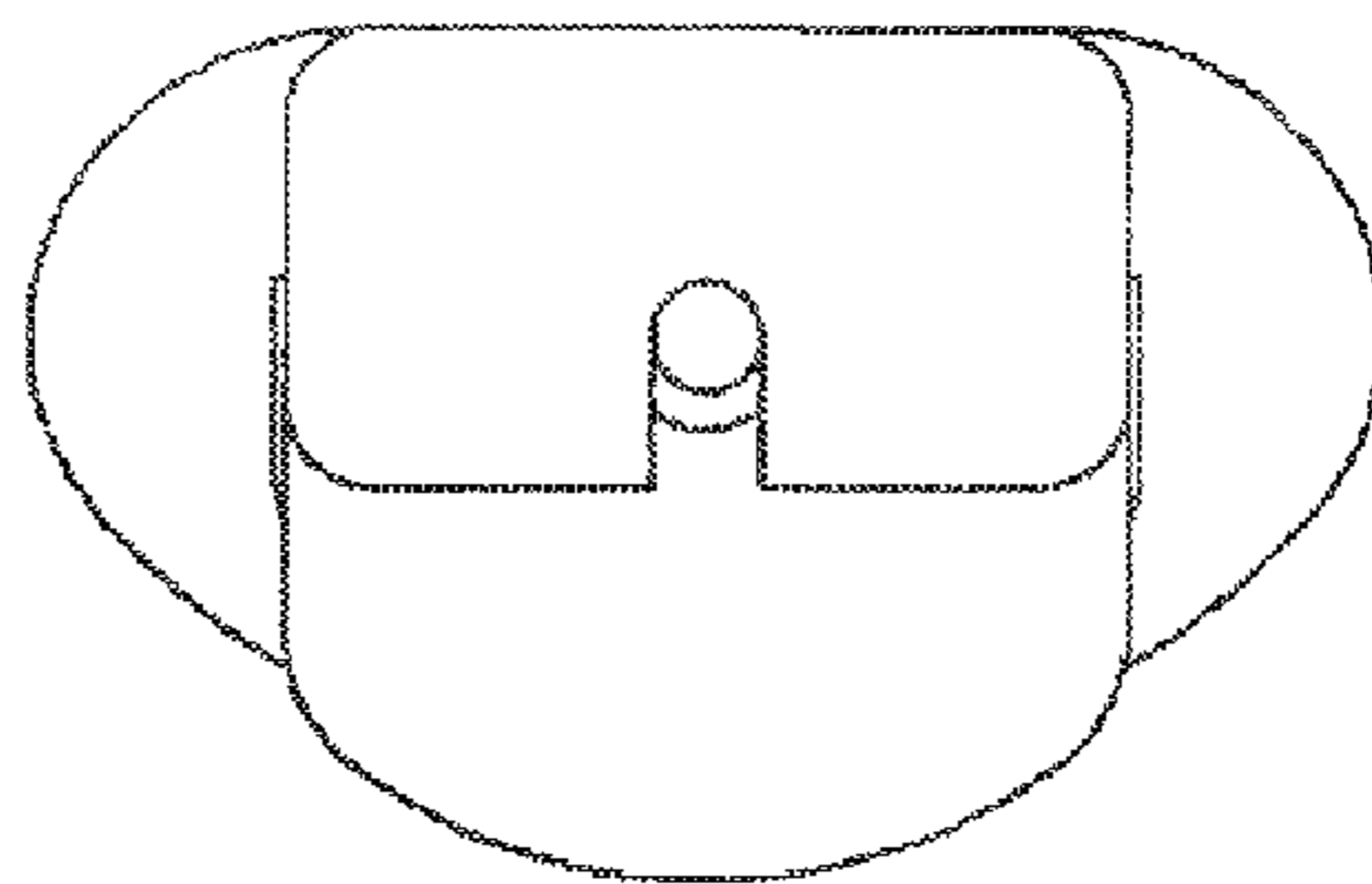


Fig. 3

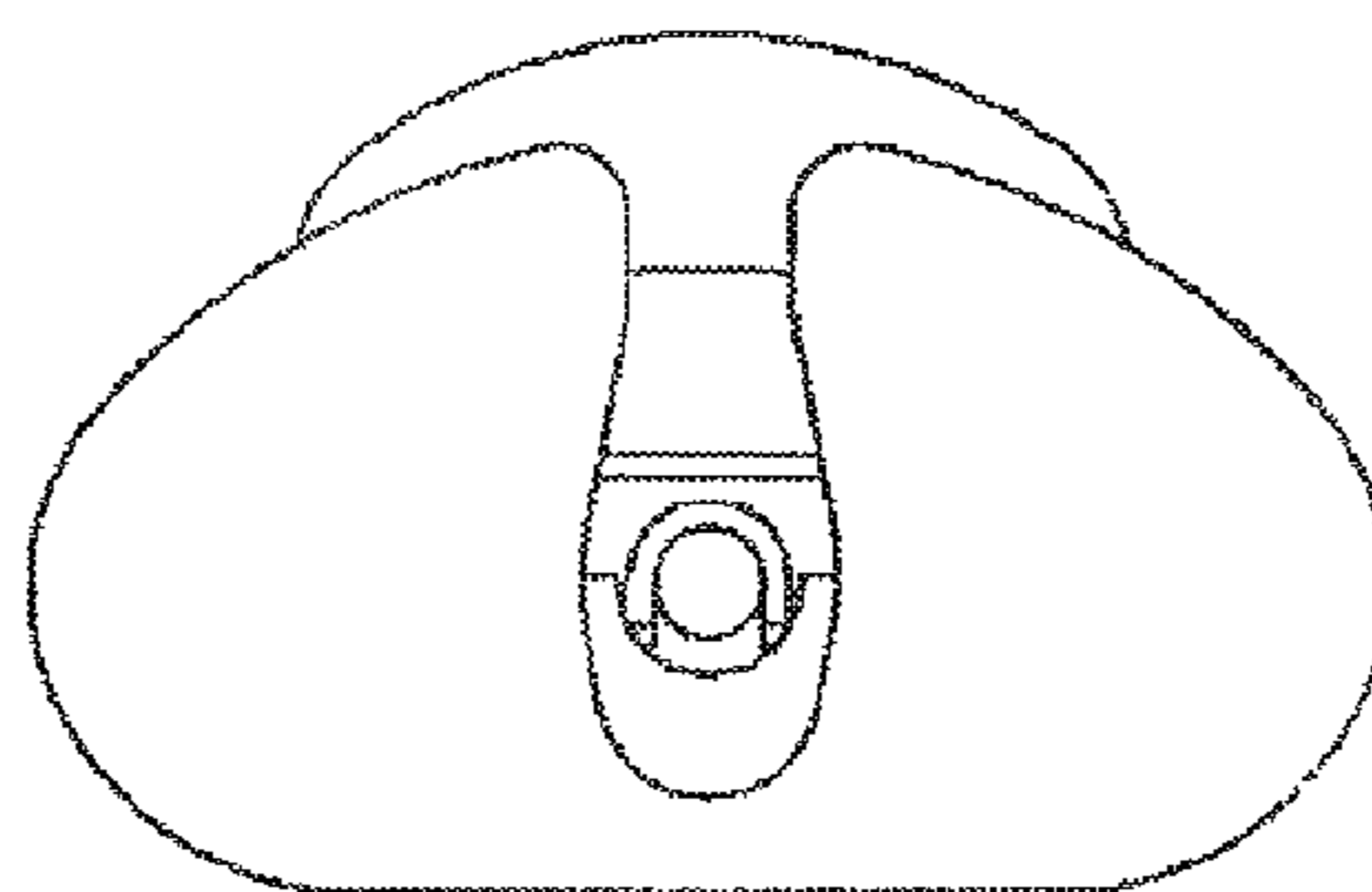


Fig. 4

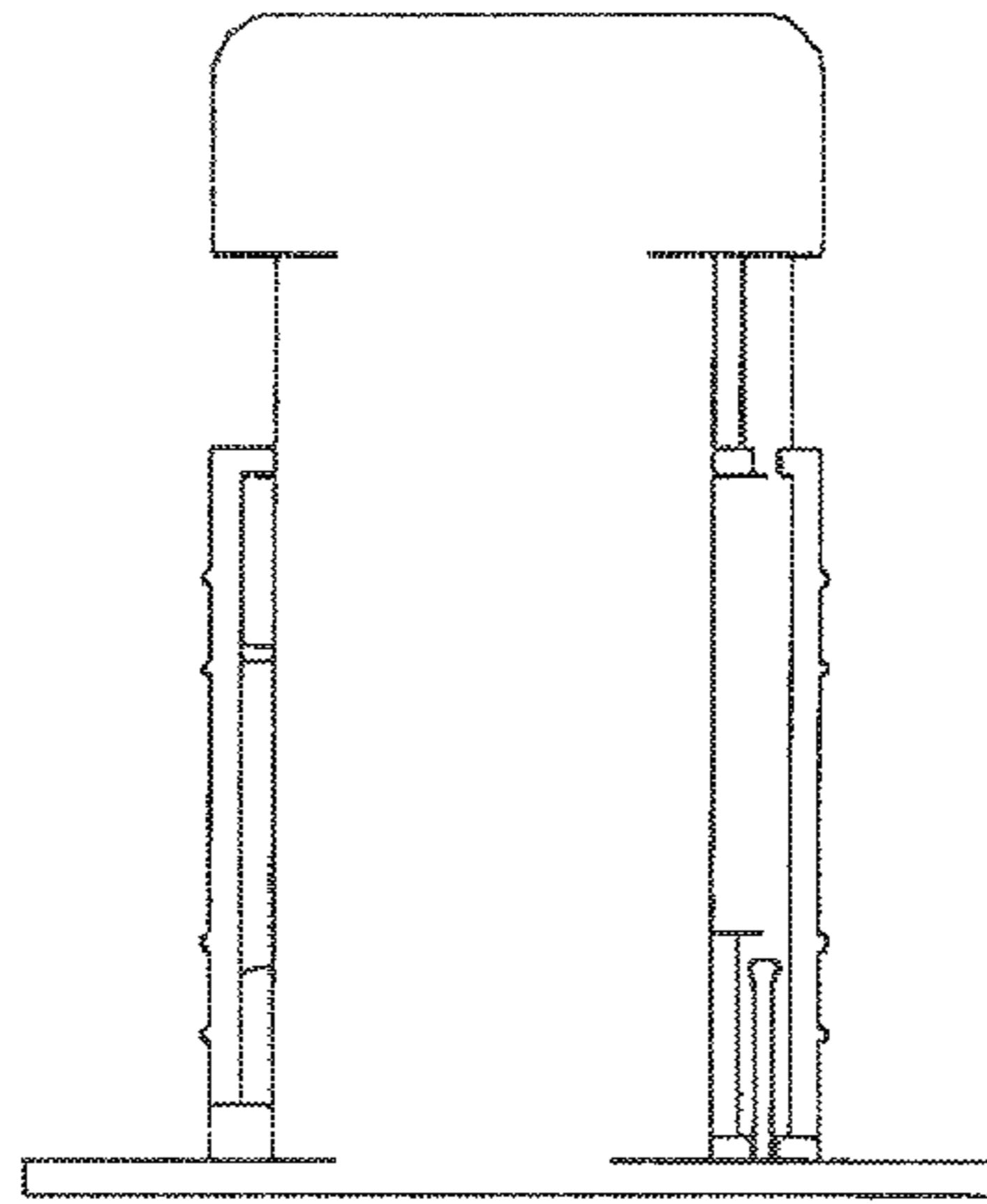


Fig. 5

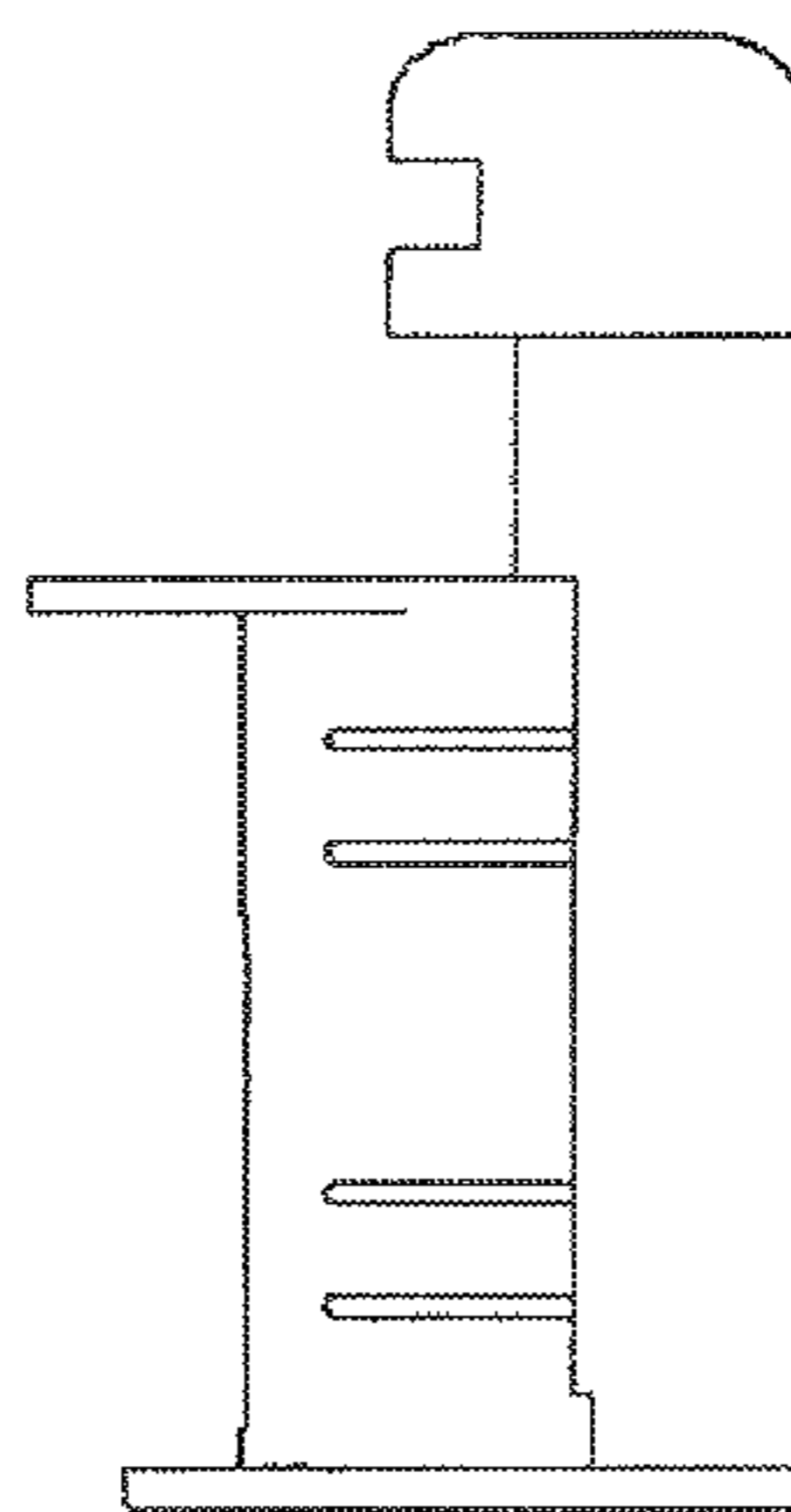


Fig. 6

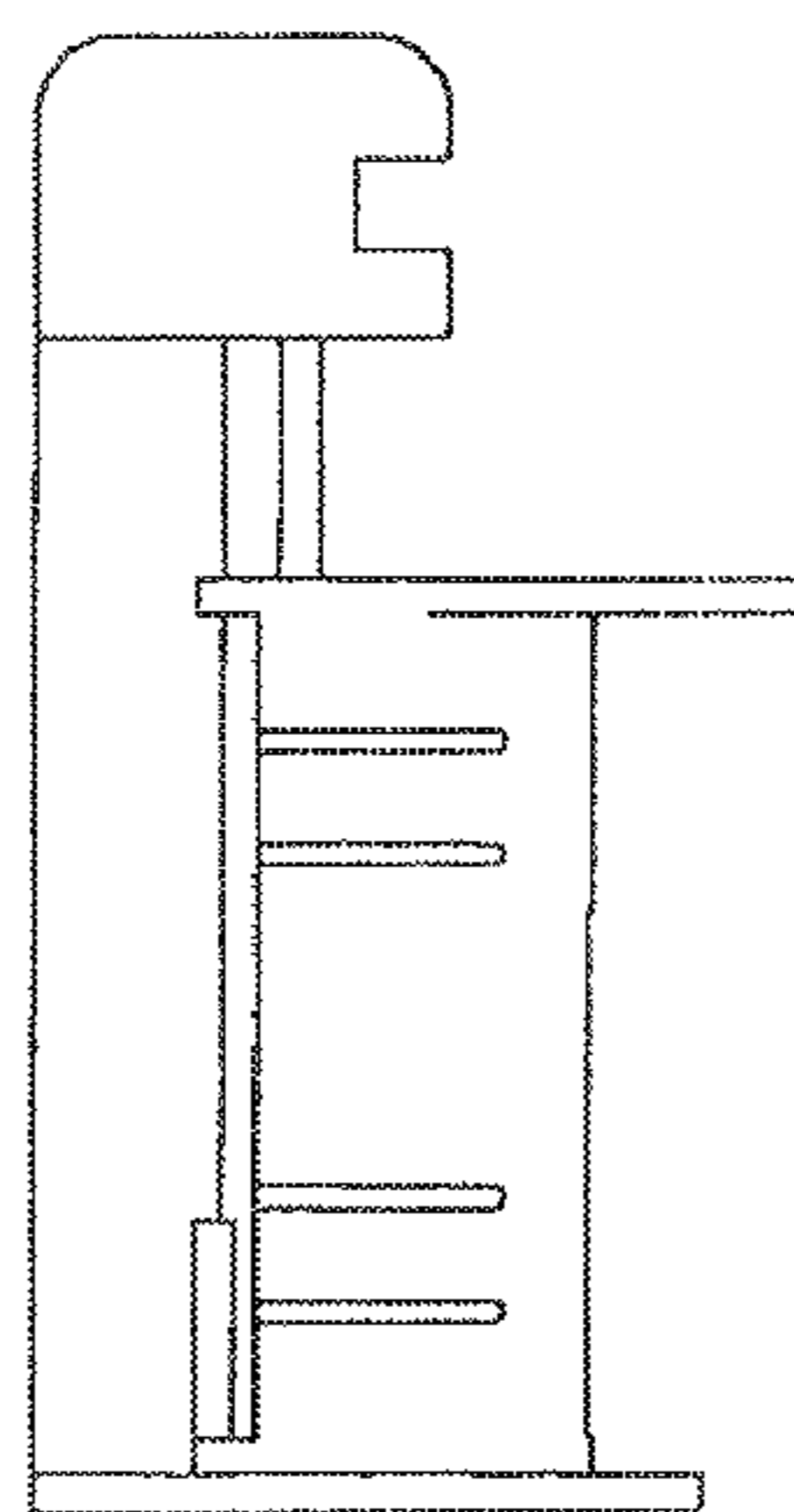


Fig. 7

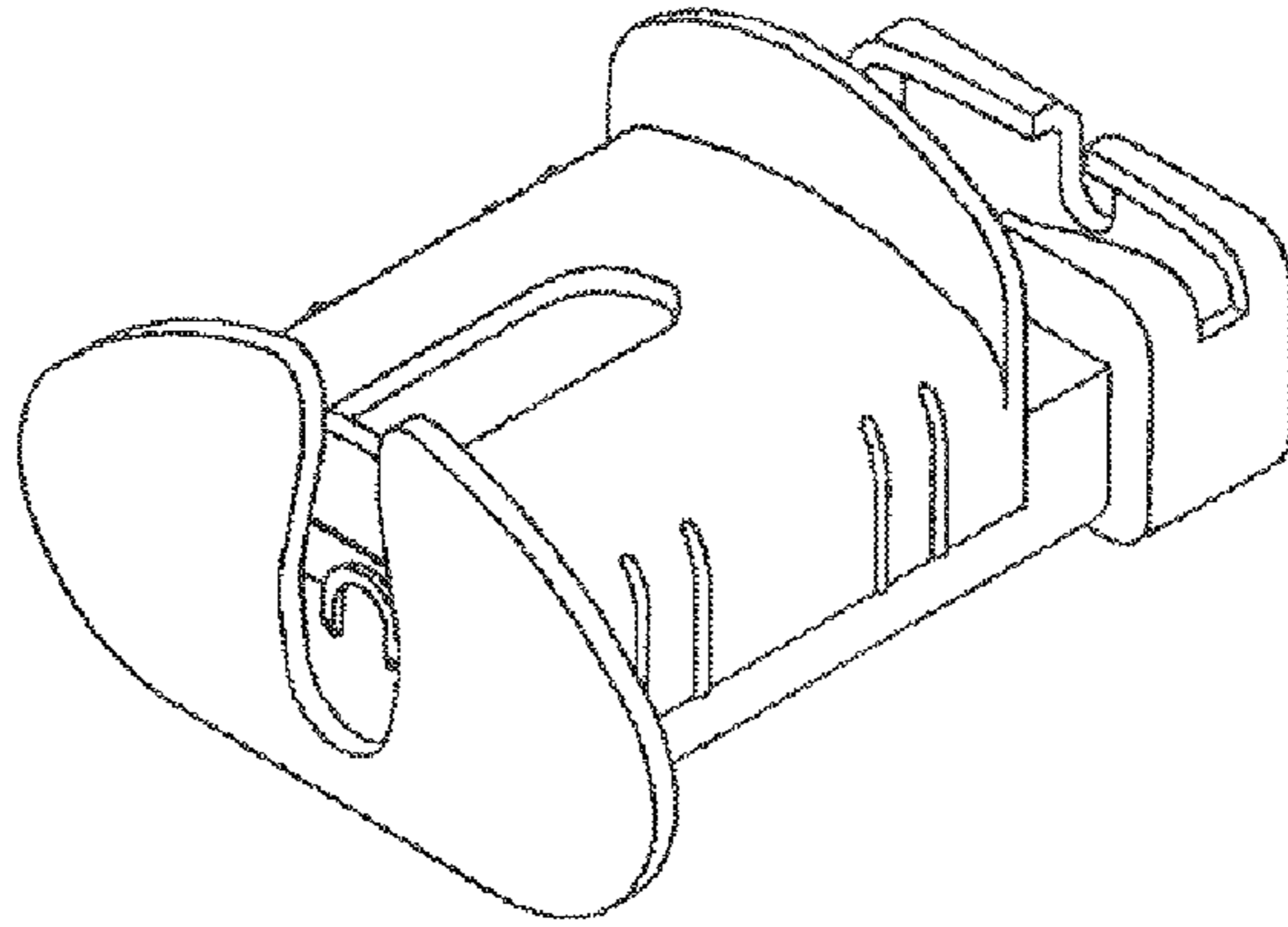


Fig. 8

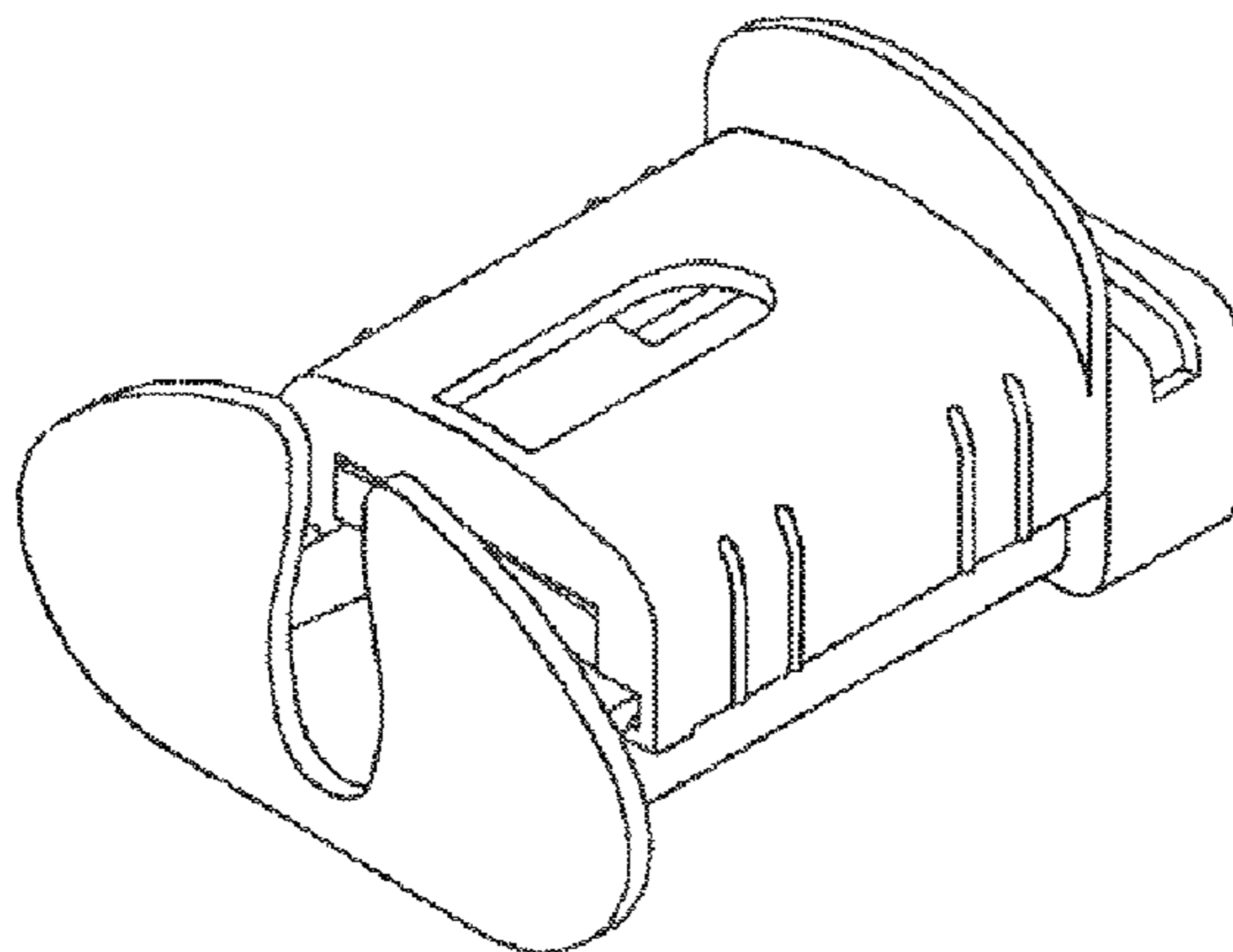


Fig. 9

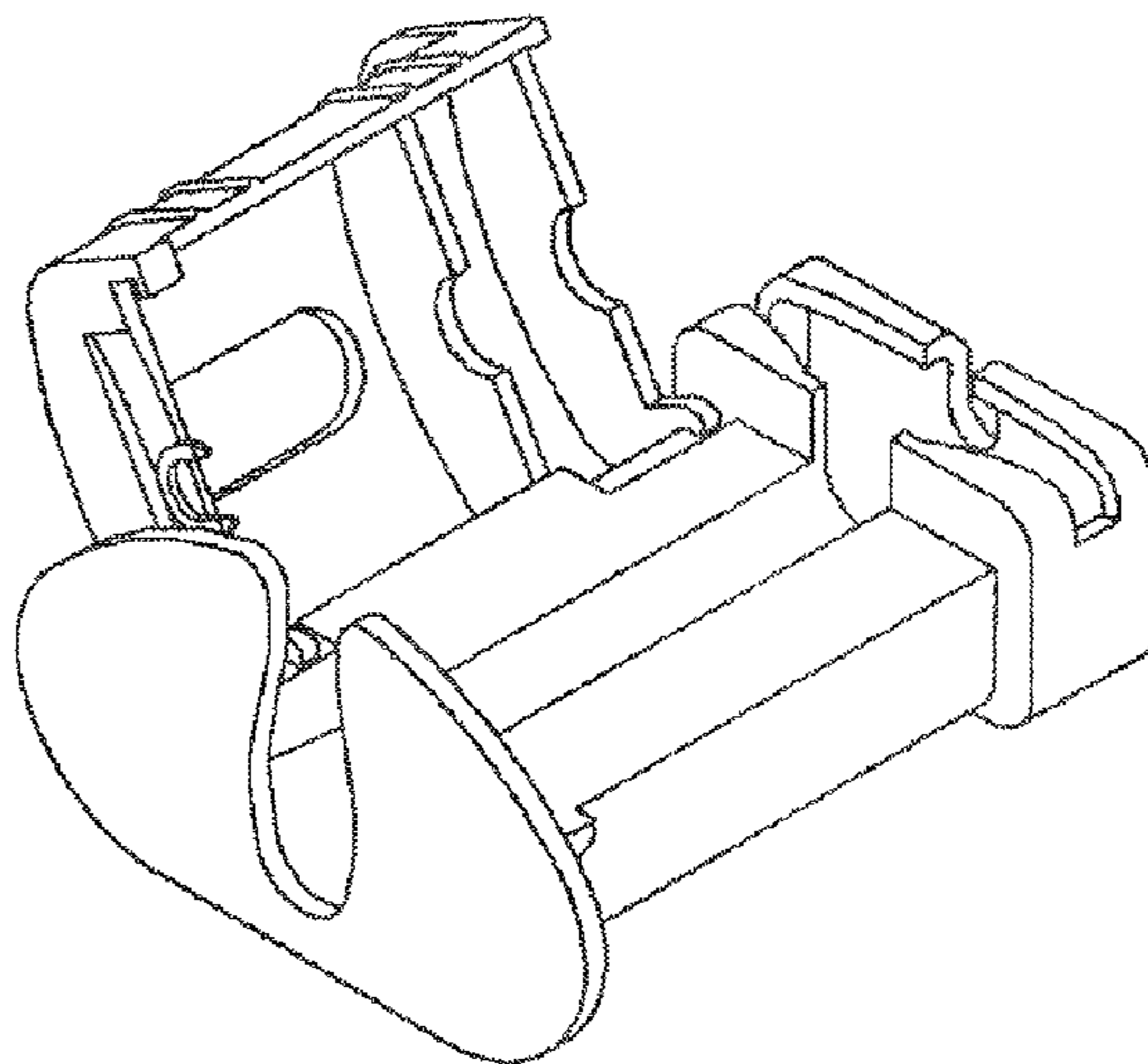


Fig. 10

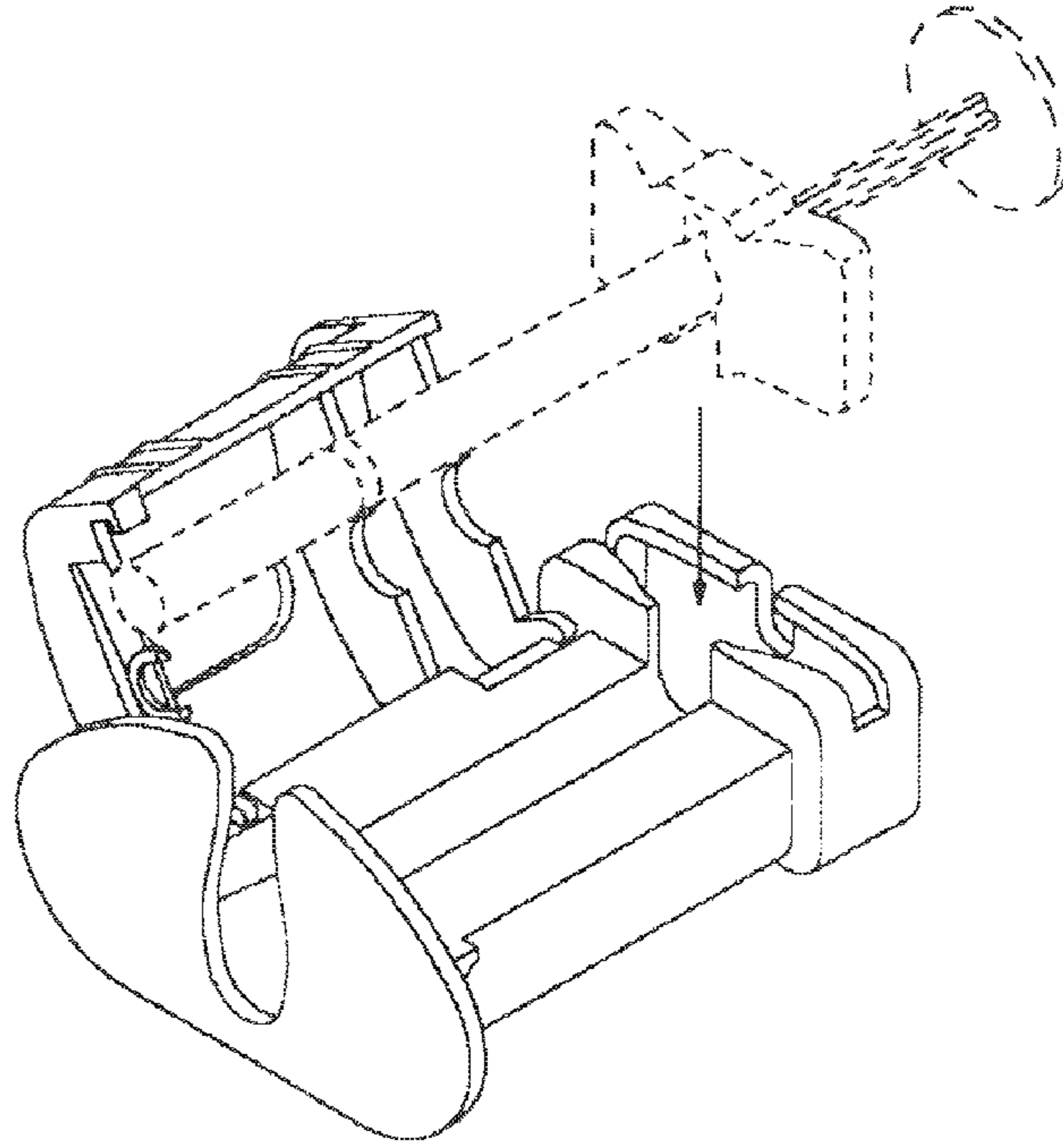


Fig. 11

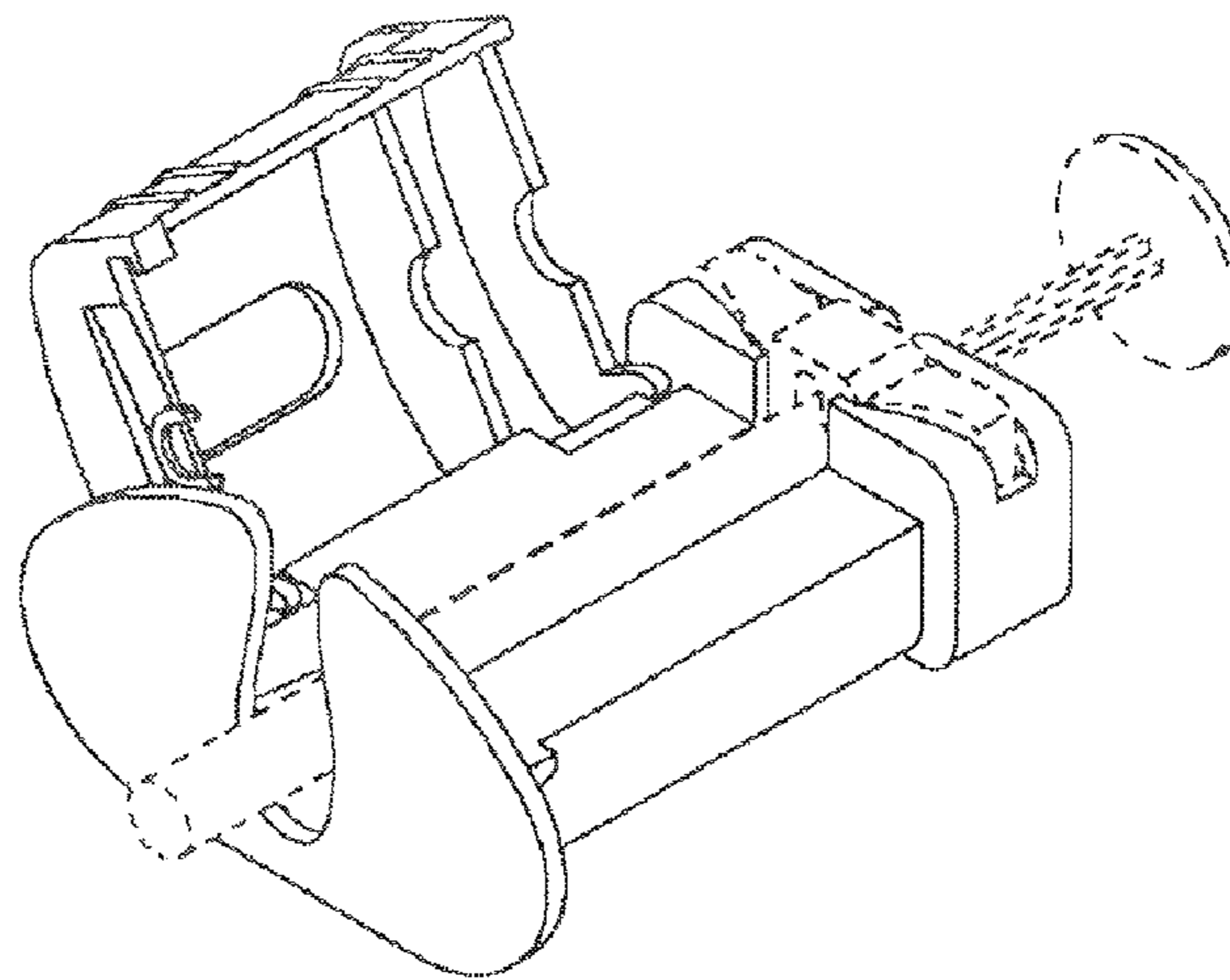


Fig. 12

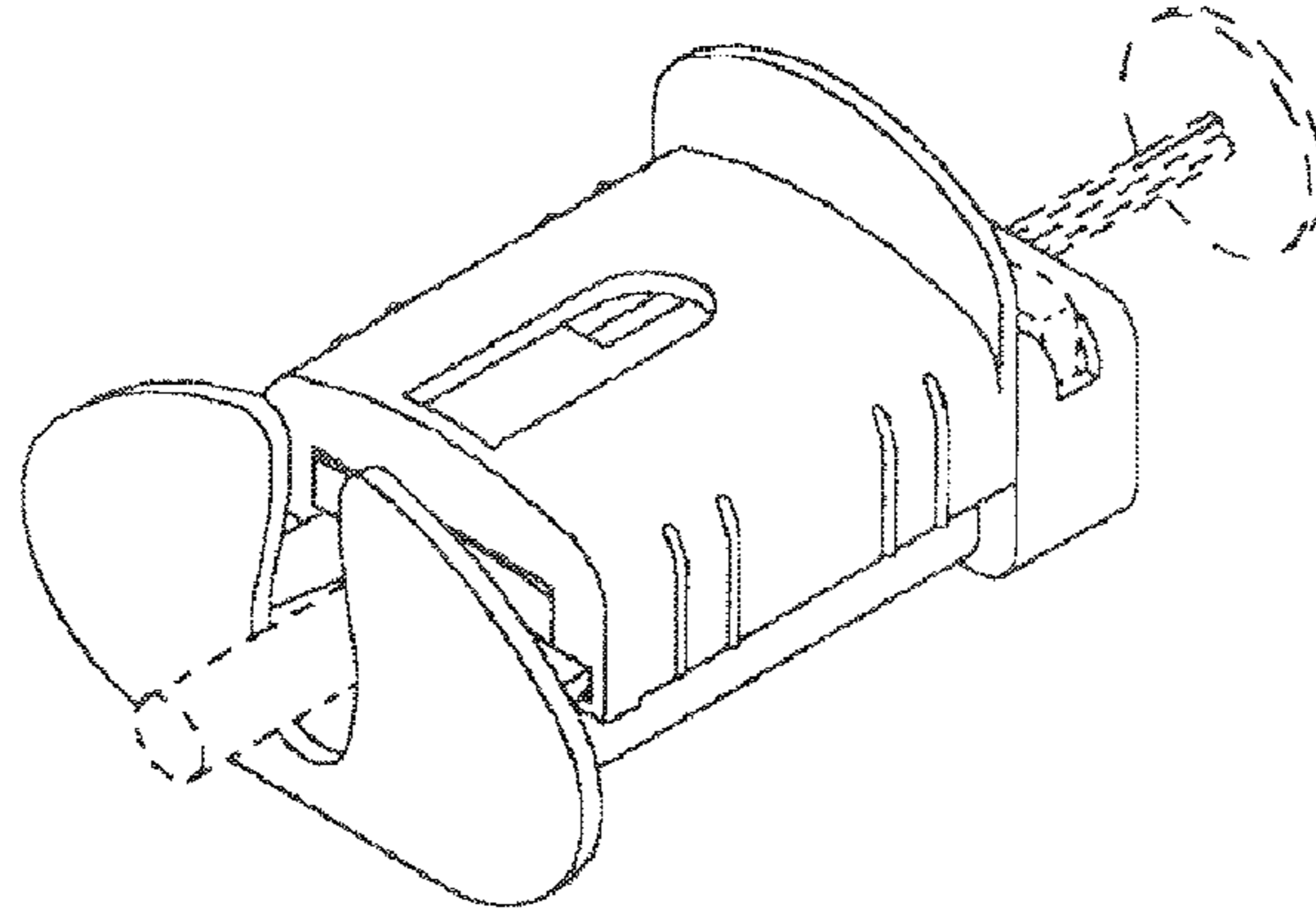


Fig. 13

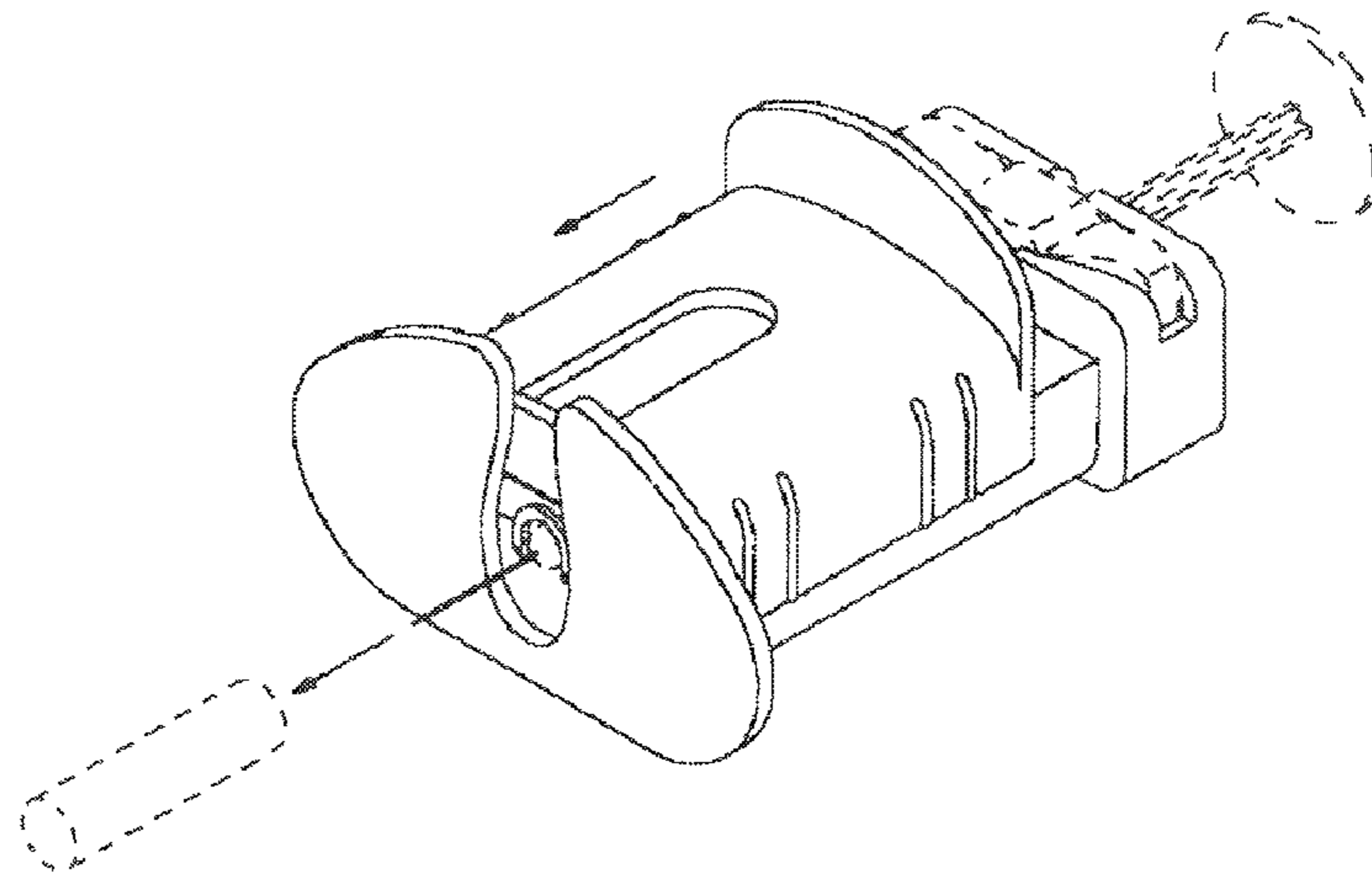


Fig. 14

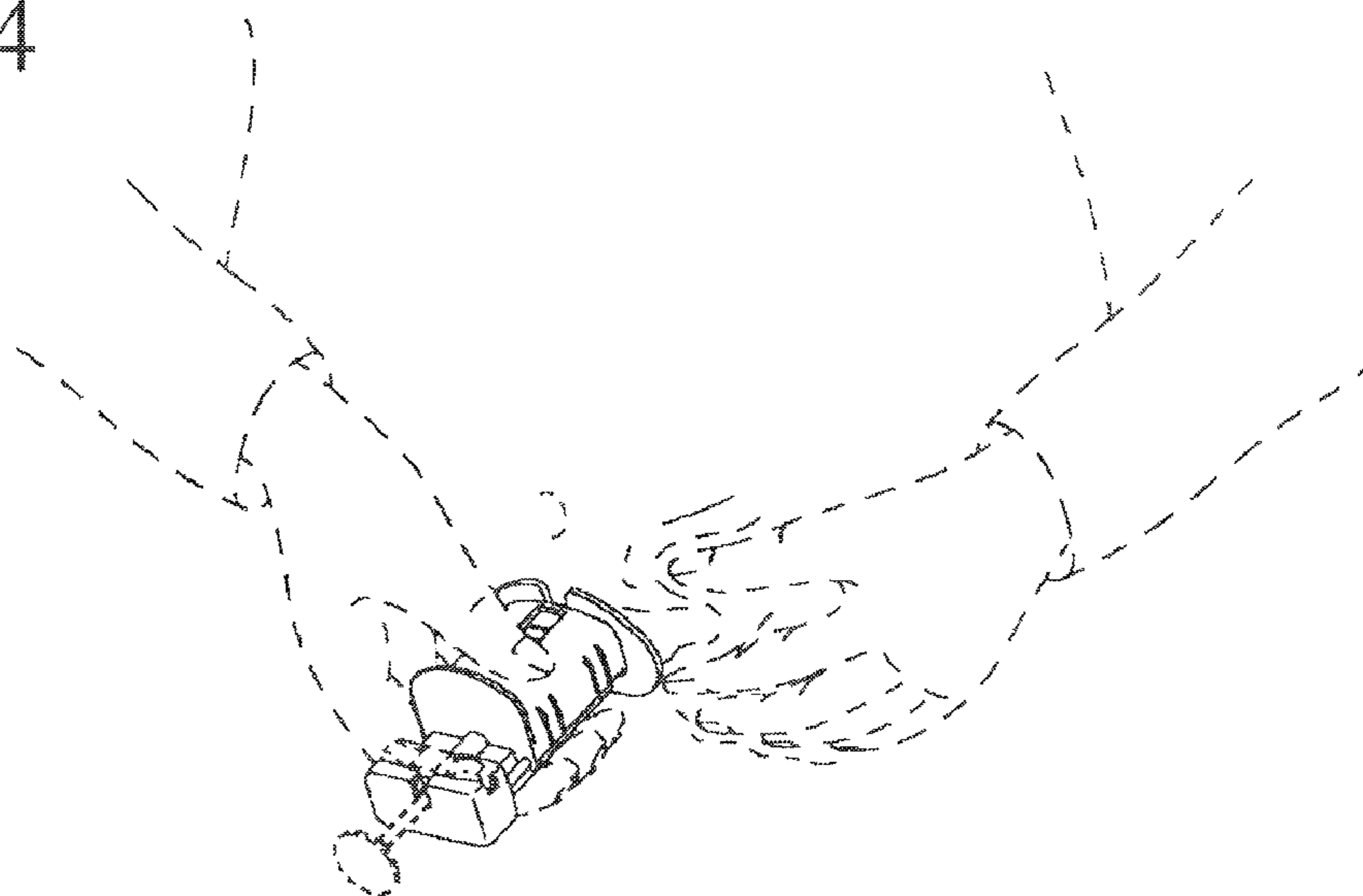


Fig. 15

