

US00D625801S

(12) **United States Design Patent**  
**Pidgeon et al.**

(10) **Patent No.:** **US D625,801 S**  
(45) **Date of Patent:** **\*\* Oct. 19, 2010**

(54) **DEVICE FOR APPLYING NEGATIVE PRESSURE TO A WOUND**

D475,132 S \* 5/2003 Randolph ..... D24/108  
D481,459 S 10/2003 Nahm  
6,755,807 B2 6/2004 Risk, Jr. et al.  
D504,953 S 5/2005 Ryan  
D522,657 S 6/2006 Murphy et al.  
D537,944 S 3/2007 Eda et al.  
D544,092 S 6/2007 Lewis  
D548,347 S 8/2007 Ichino et al.

(75) Inventors: **Andy Duncan Pidgeon**, Cambs (GB);  
**Richard Mann**, Cambridge (GB)

(73) Assignee: **Smith & Nephew PLC**, London,  
England (GB)

(\*\*) Term: **14 Years**

(Continued)

(21) Appl. No.: **29/343,584**

OTHER PUBLICATIONS

(22) Filed: **Sep. 15, 2009**

U.S. Appl. No. 29/343,582, filed Sep. 15, 2009, Pidgeon et al.

(Continued)

**Related U.S. Application Data**

(63) Continuation of application No. 29/294,224, filed on  
Dec. 28, 2007, now Pat. No. Des. 602,583.

*Primary Examiner*—Ian Simmons  
*Assistant Examiner*—Wan Laymon

(30) **Foreign Application Priority Data**

Jul. 2, 2007 (EM) ..... 000750187-001

(74) *Attorney, Agent, or Firm*—Knobbe Martens Olson &  
Bear LLP

(51) **LOC (9) Cl.** ..... **24-01**

(52) **U.S. Cl.** ..... **D24/108; D24/107; D24/111**

(58) **Field of Classification Search** ..... D24/158,  
D24/165, 186, 200, 232, 208, 169; 601/9–10,  
601/15; 600/1–2, 9–10, 13, 573; 607/61,  
607/63, 52, 100, 103, 115; 604/313–315,  
604/317, 327–543, 541, 318–319, 35, 119,  
604/322

(57) **CLAIM**

We claim the ornamental design for a device for applying  
negative pressure to a wound, as shown and described.

See application file for complete search history.

**DESCRIPTION**

(56) **References Cited**

U.S. PATENT DOCUMENTS

D352,463 S 11/1994 Kubo  
D400,249 S 10/1998 Holubar et al.  
D406,899 S 3/1999 Cottle  
6,010,527 A 1/2000 Augustine et al.  
D434,150 S 11/2000 Tumey et al.  
D439,341 S 3/2001 Tumey et al.  
D449,891 S 10/2001 Moro  
D456,514 S 4/2002 Brown et al.  
6,468,199 B1 10/2002 Satou et al.

FIG. 1 is a front, top and left side perspective view of a device  
for applying negative pressure to a wound.

FIG. 2 is a top plan view thereof.

FIG. 3 is a front elevation view thereof.

FIG. 4 is a rear elevation view thereof.

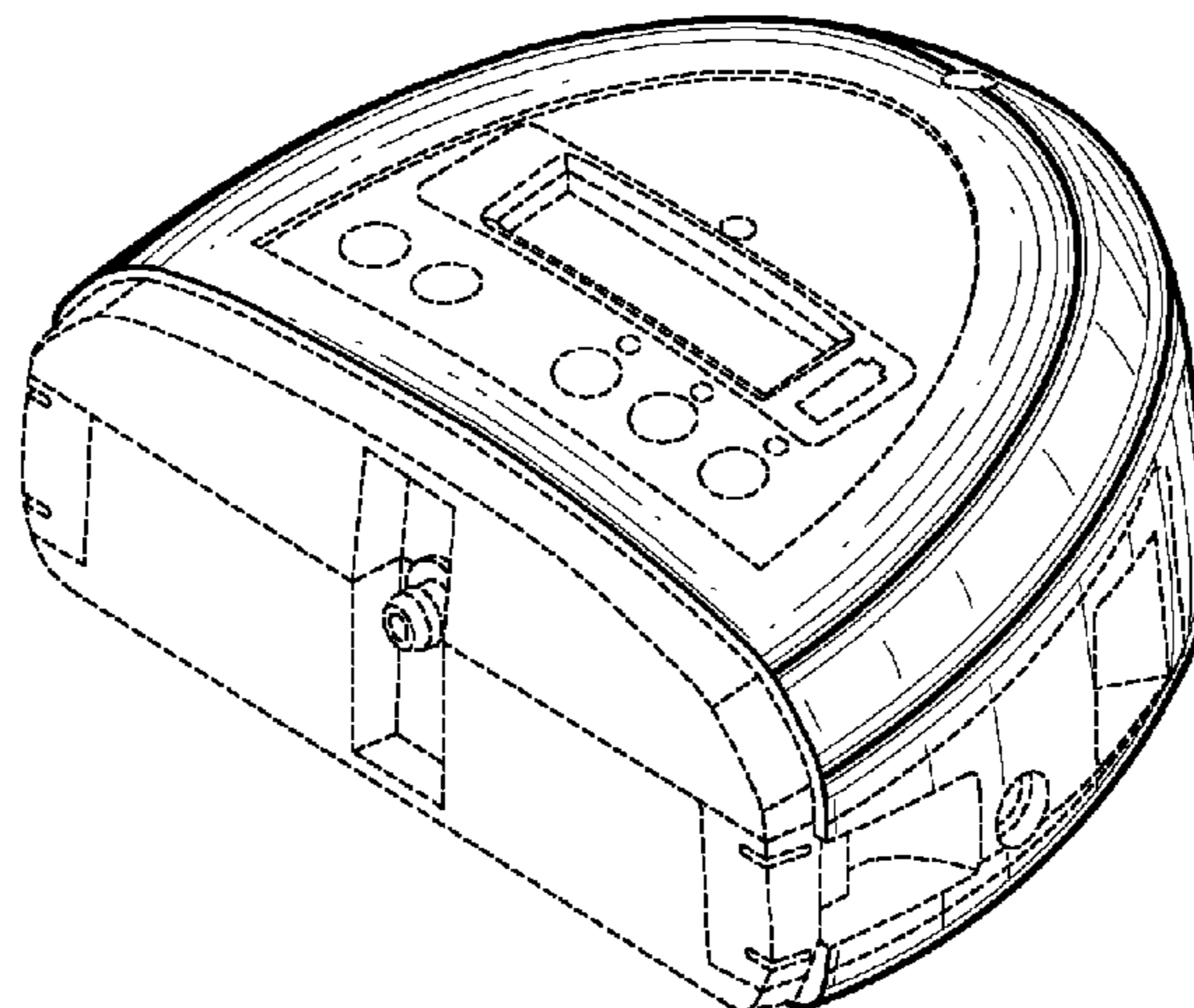
FIG. 5 is a right side view thereof.

FIG. 6 is a left side view thereof; and,

FIG. 7 is a bottom view thereof.

The broken lines in the drawings that are immediately adja-  
cent to the shaded areas represent an unclaimed boundary of  
the claimed design. The broken lines showing the remainder  
of the device are for illustrative purposes only and form no  
part of the claimed design.

**1 Claim, 2 Drawing Sheets**



# US D625,801 S

Page 2

---

## U.S. PATENT DOCUMENTS

D585,137 S \* 1/2009 Onoda et al. .... D24/169  
D587,901 S 3/2009 Pidgeon et al.  
D594,114 S 6/2009 Locke et al.  
D602,582 S 10/2009 Pidgeon et al.  
D602,583 S \* 10/2009 Pidgeon et al. .... D24/108  
D602,584 S 10/2009 Pidgeon et al.  
D607,202 S 1/2010 Pidgeon et al.  
2008/0033400 A1 2/2008 Holper et al.

2009/0299306 A1\* 12/2009 Buan ..... 604/319

## OTHER PUBLICATIONS

U.S. Appl. No. 29/343,583, filed Sep. 15, 2009, Pidgeon et al.  
U.S. Appl. No. 29/343,582, filed Sep. 15, 2009, Pidgeon et al.  
U.S. Appl. No. 29/343,583, filed Sep. 15, 2009, Pidgeon et al.  
U.S. Appl. No. 29/351,416, filed Dec. 4, 2009, Mario Gonzalez.  
U.S. Appl. No. 29/351,522, filed Dec. 7, 2009, Pidgeon et al.

\* cited by examiner

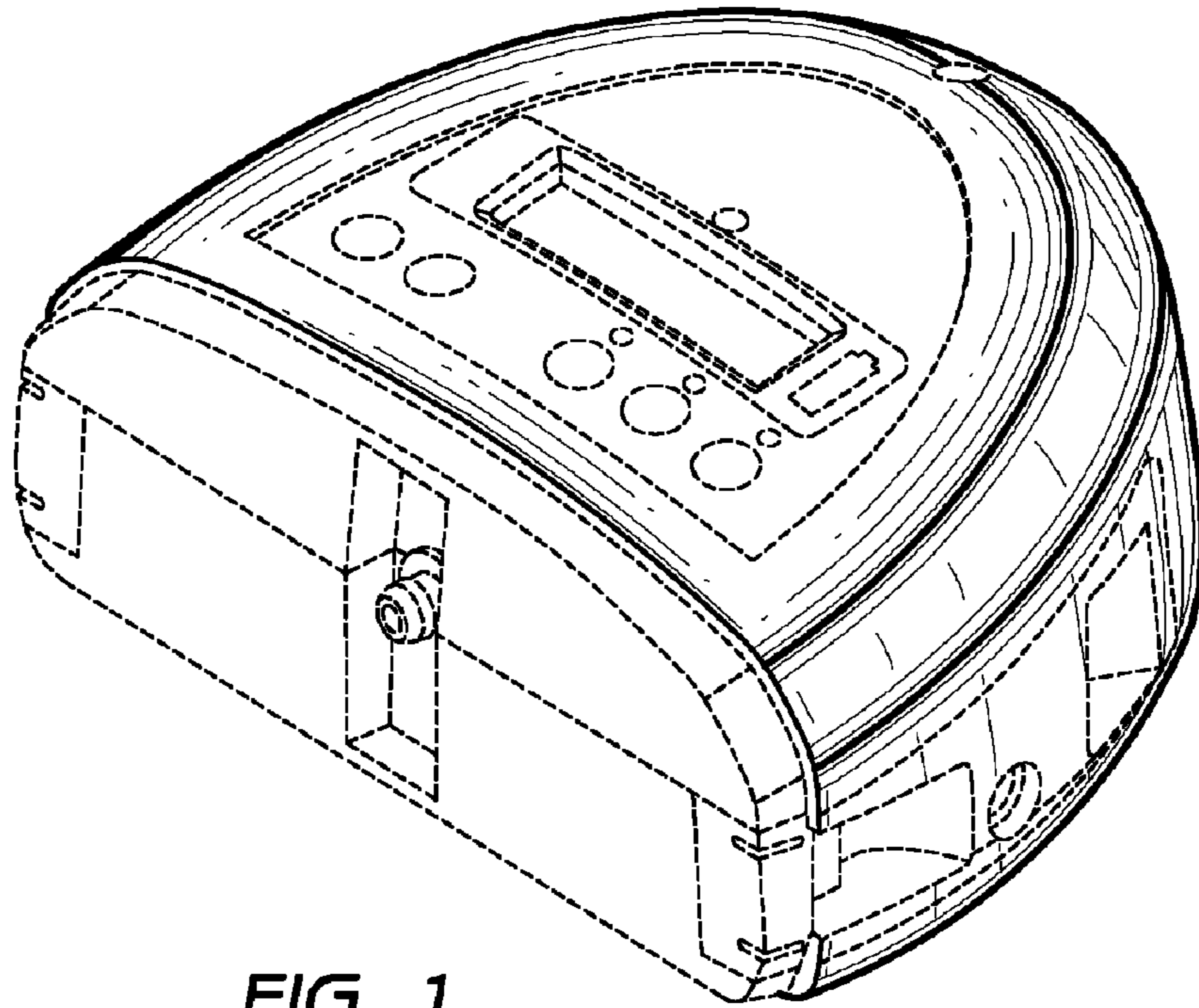


FIG. 1

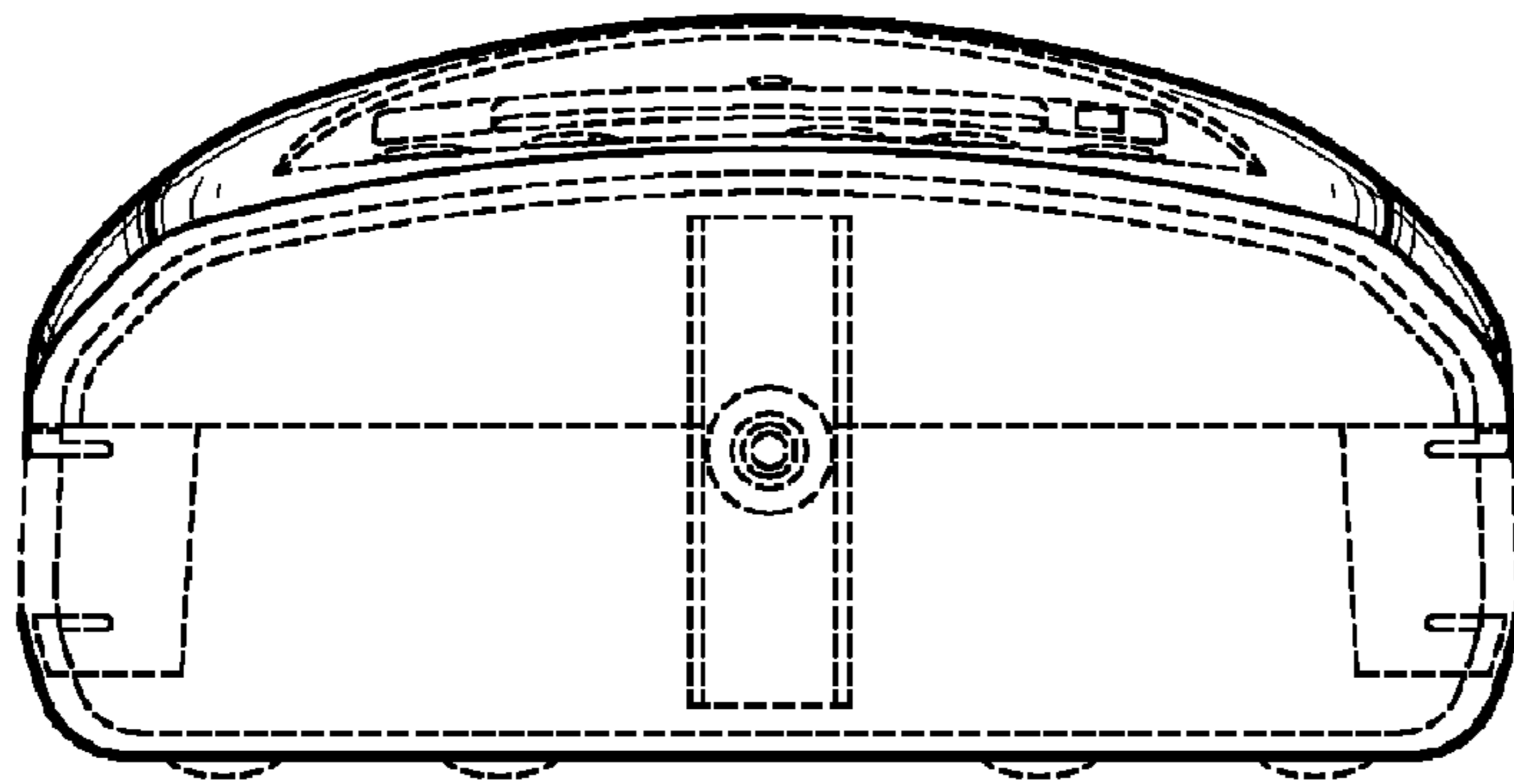


FIG. 3

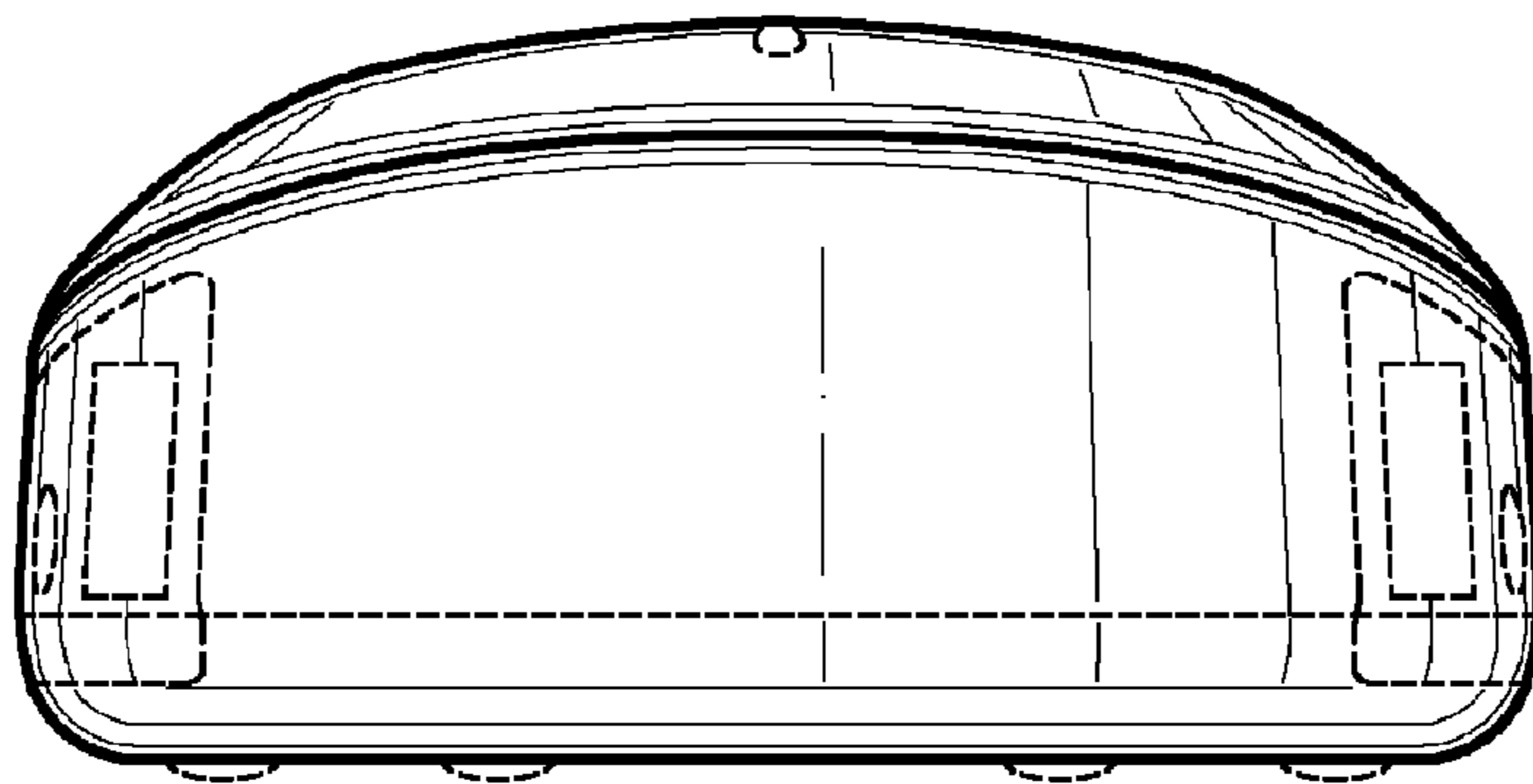


FIG. 4



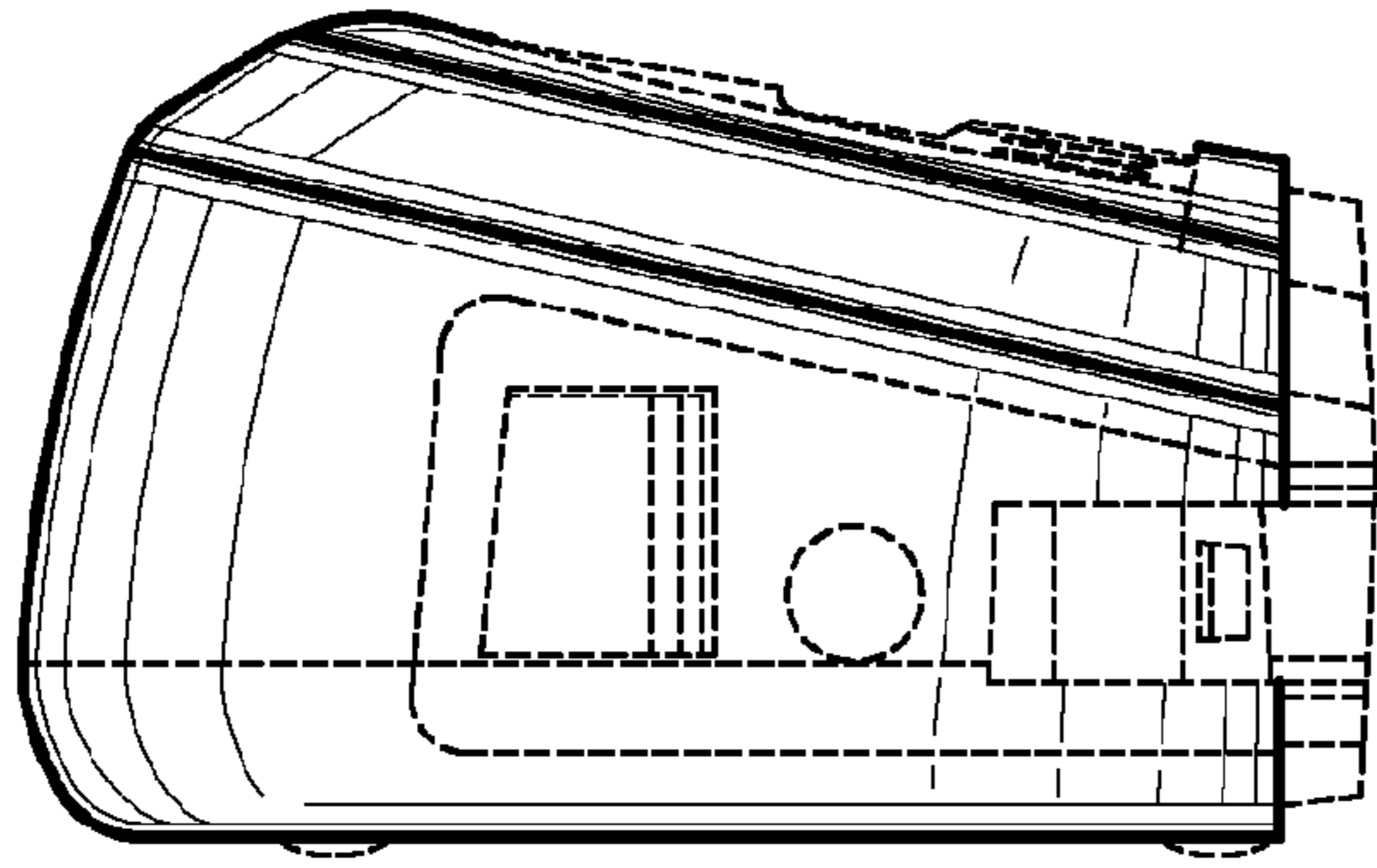


FIG. 5

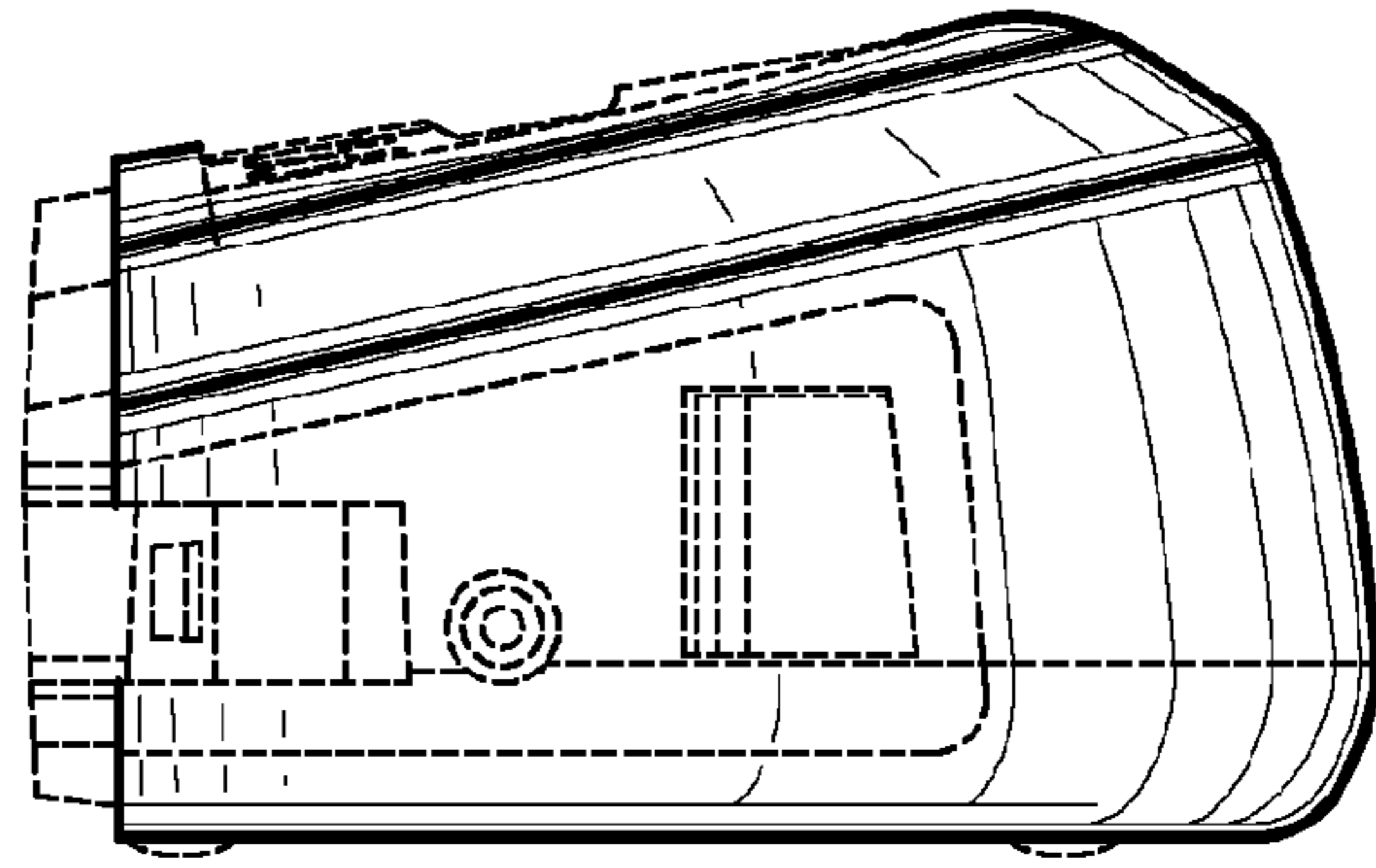


FIG. 6

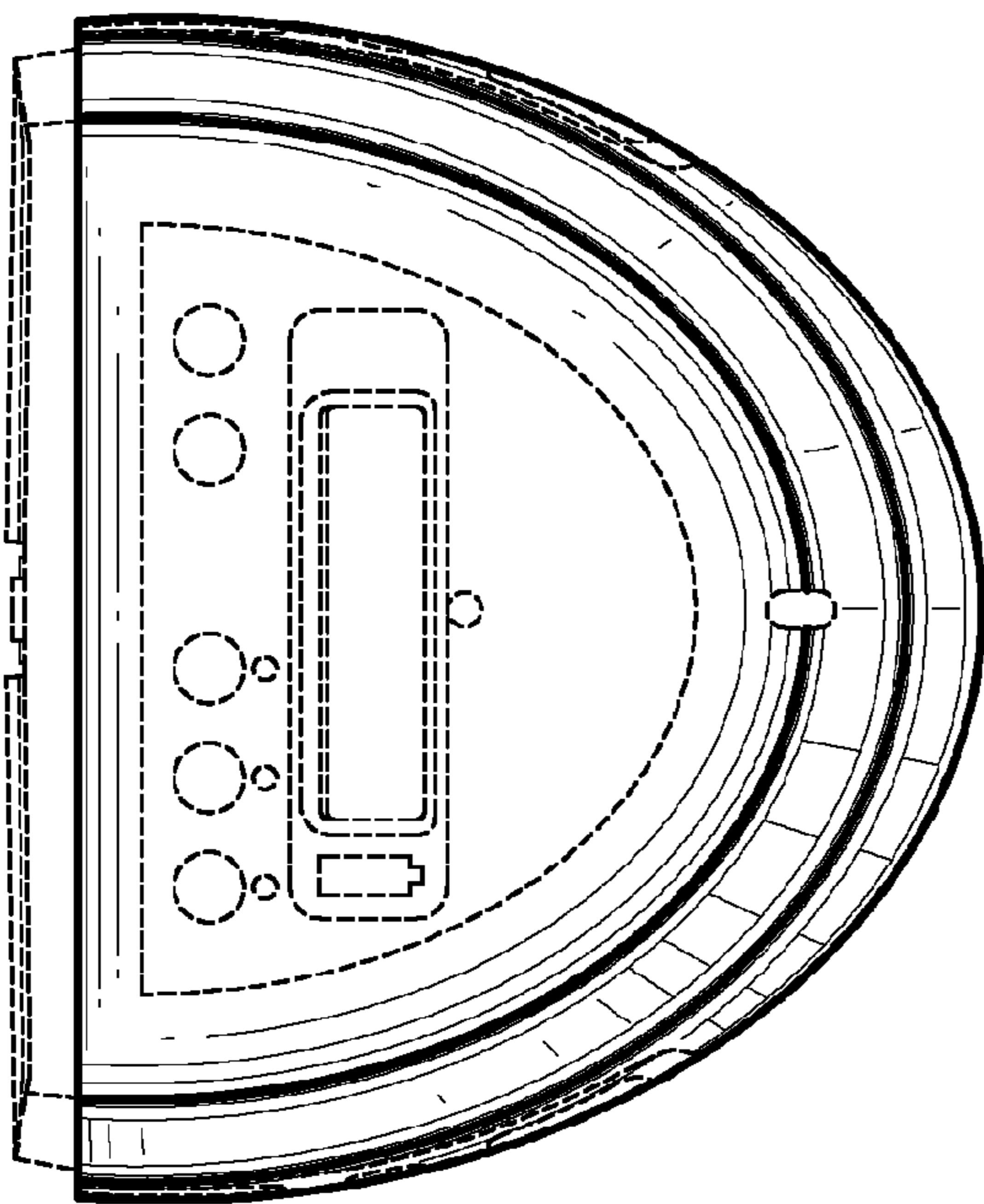


FIG. 2

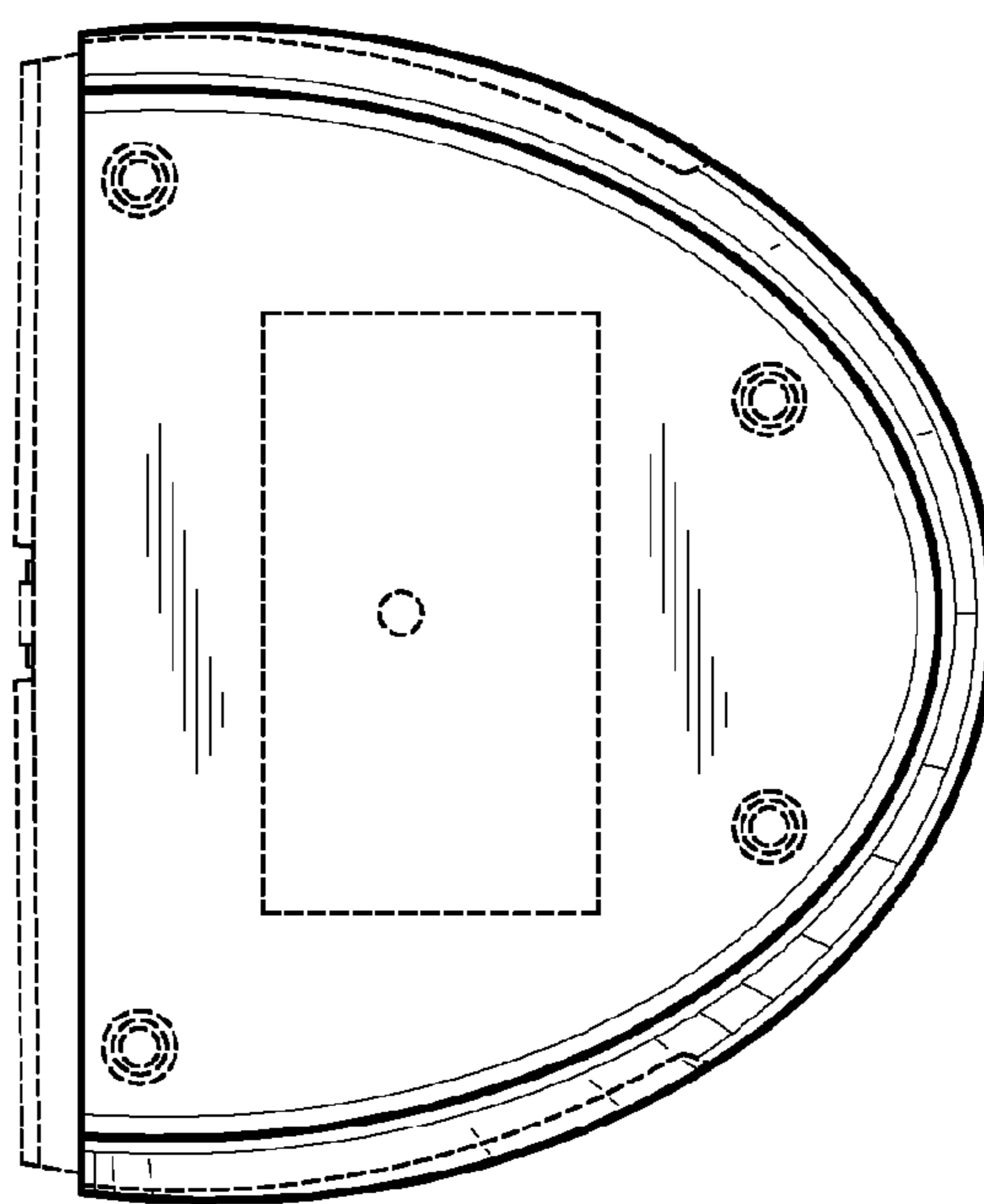


FIG. 7