



US00D625799S

(12) **United States Design Patent**
Salisbury et al.

(10) **Patent No.:** **US D625,799 S**

(45) **Date of Patent:** **** Oct. 19, 2010**

(54) **FAN HOUSING**

(75) Inventors: **Thomas R. Salisbury**, Columbia, SC (US); **Vance M. Patterson**, Morganton, NC (US); **Bruce Nemeec**, Madison, WI (US); **Ryan Crist**, Jefferson, WI (US)

(73) Assignee: **Patterson Fan Company**, Blythewood, SC (US)

(**) Term: **14 Years**

(21) Appl. No.: **29/353,483**

(22) Filed: **Jan. 8, 2010**

(51) **LOC (9) Cl.** **23-04**

(52) **U.S. Cl.** **D23/370**

(58) **Field of Classification Search** D23/370,
D23/383; 415/206, 208.1

See application file for complete search history.

(56) **References Cited**

U.S. PATENT DOCUMENTS

D291,488 S *	8/1987	Delmas	D23/383
6,116,856 A	9/2000	Karadgy et al.		
6,692,229 B2	2/2004	Metz		
6,890,149 B2	5/2005	Metz		
D557,398 S	12/2007	Moore et al.		
D561,324 S *	2/2008	Shirahama et al.	D23/370
D594,548 S	6/2009	Salisbury et al.		
2003/0131985 A1	7/2003	Patterson et al.		

OTHER PUBLICATIONS

U.S. Appl. No. 61/143,604, filed Jan. 9, 2009 with the U.S. Patent and Trademark Office.

DL Manufacturing, Aerotec Manual & Instructions for Models 700 & 750 (115vac), Jun. 2, 2006.

DL Manufacturing, Aerotec Brochure, available at least as early as Jan. 8, 2010.

DL Manufacturing, Aerotec Information, Mar. 23, 2010.

DL Manufacturing, Aerotec Information, Nov. 13, 2002.

Patterson Fan Company, Inc., High Velocity Truck Cooler Information, Feb. 1, 2008.

Patterson Fan Company, Inc., High Velocity Truck Cooler Assembly Instructions, Apr. 15, 2008.

* cited by examiner

Primary Examiner—Lisa P Lichtenstein

(74) *Attorney, Agent, or Firm*—Nelson Mullins Riley & Scarborough LLP

(57) **CLAIM**

The ornamental design of a fan housing, substantially as shown and described.

DESCRIPTION

FIG. 1 is a perspective view of a fan housing in accordance with an embodiment of the present invention;

FIG. 2 is a right side elevation view of the fan housing of FIG. 1;

FIG. 3 is a left side elevation view of the fan housing of FIG. 1;

FIG. 4 is a front plan view of the fan housing of FIG. 1;

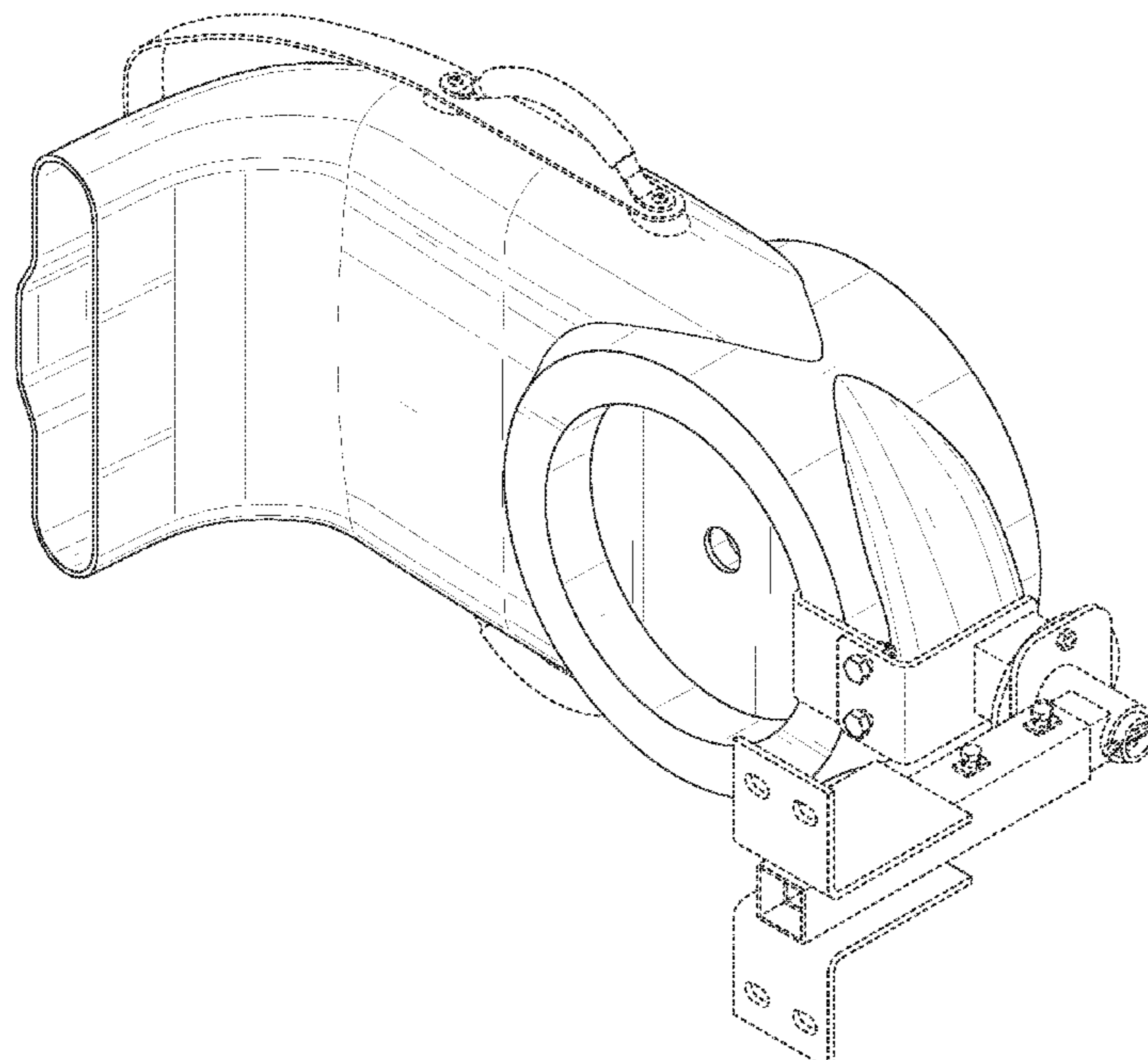
FIG. 5 is a rear plan view of the fan housing of FIG. 1;

FIG. 6 is a top plan view of the fan housing of FIG. 1; and,

FIG. 7 is a bottom plan view of the fan housing of FIG. 1.

Broken lines are for illustrative purposes and form no part of the claim.

1 Claim, 7 Drawing Sheets



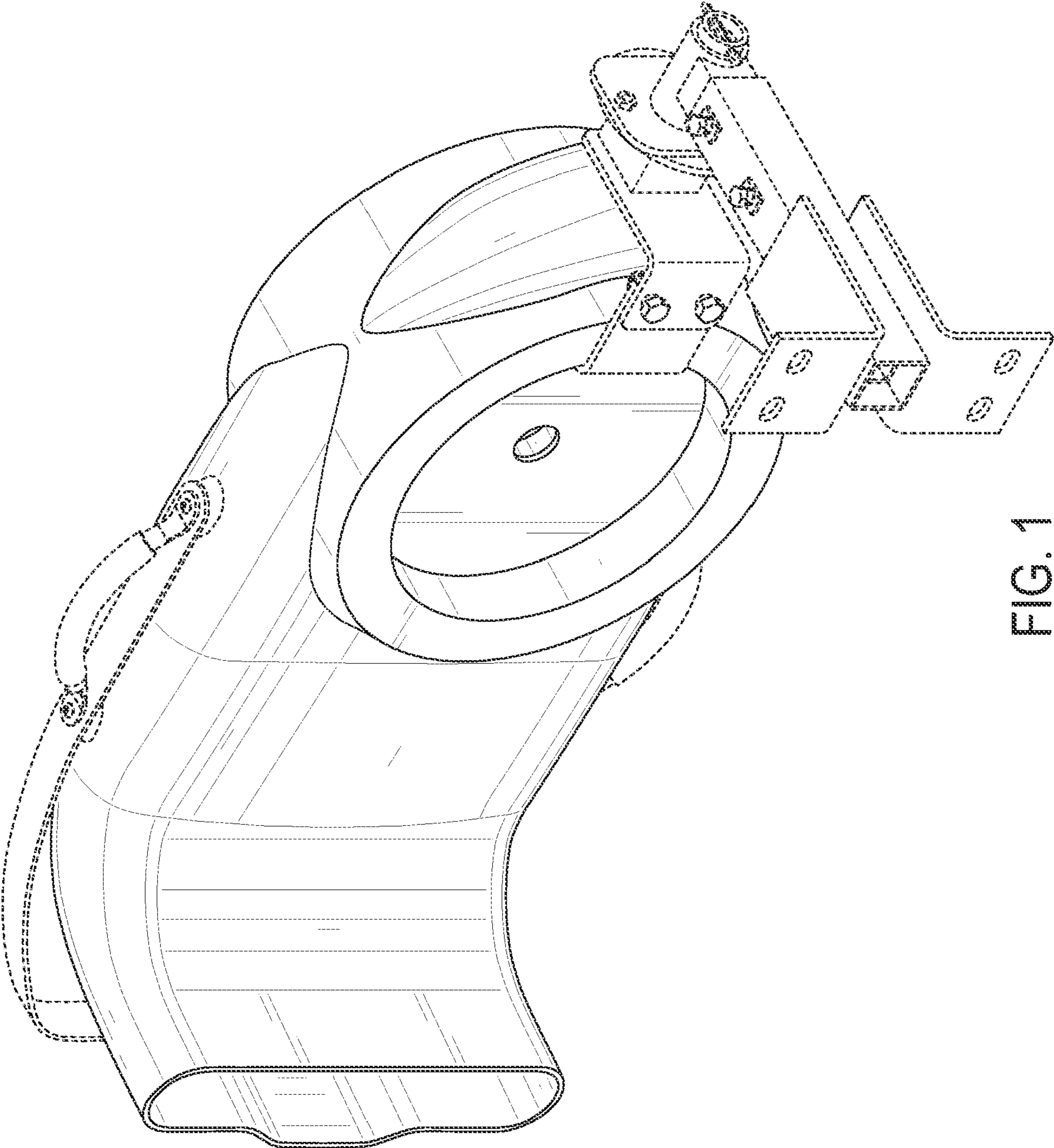


FIG. 1

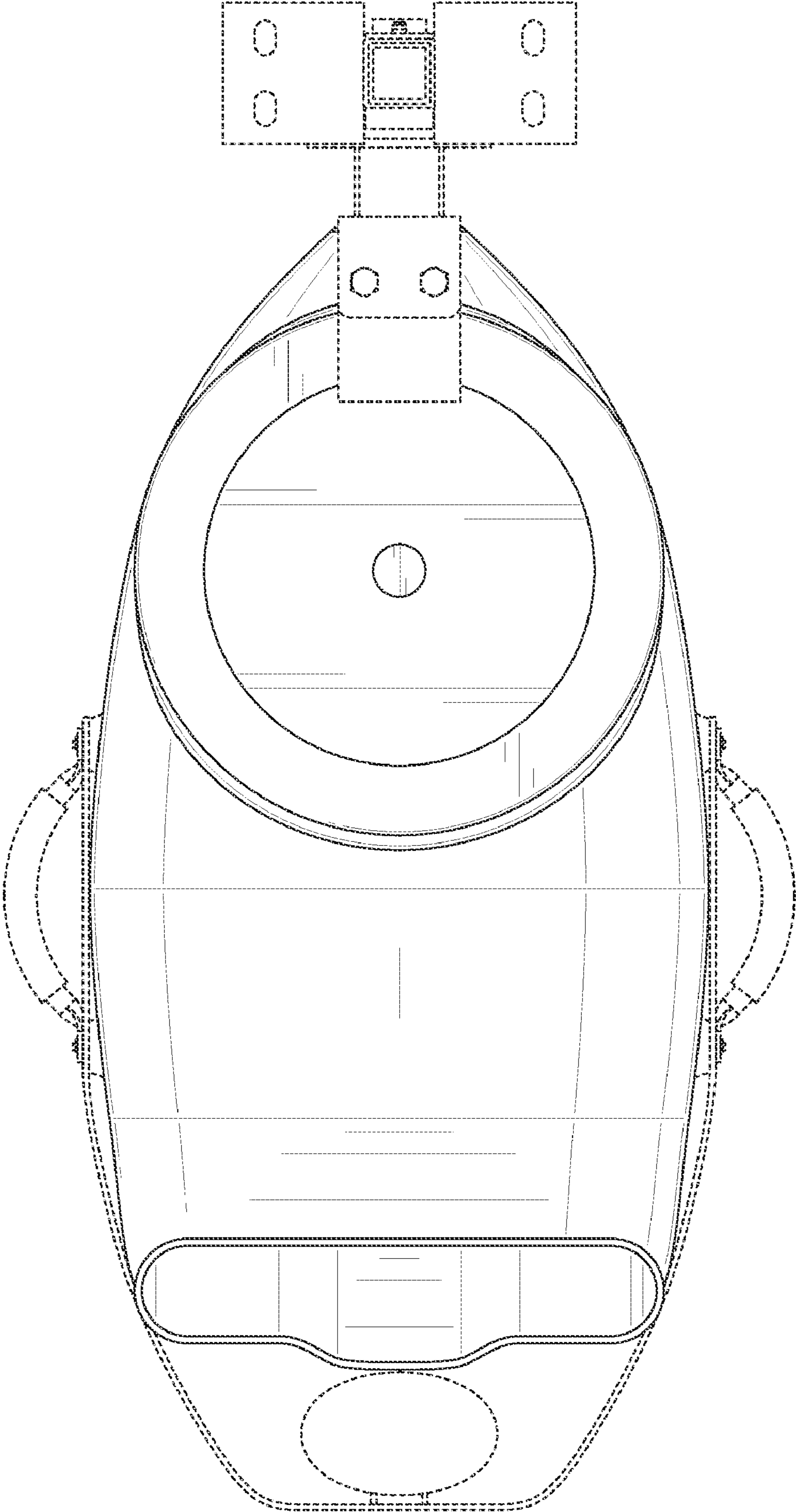


FIG. 2

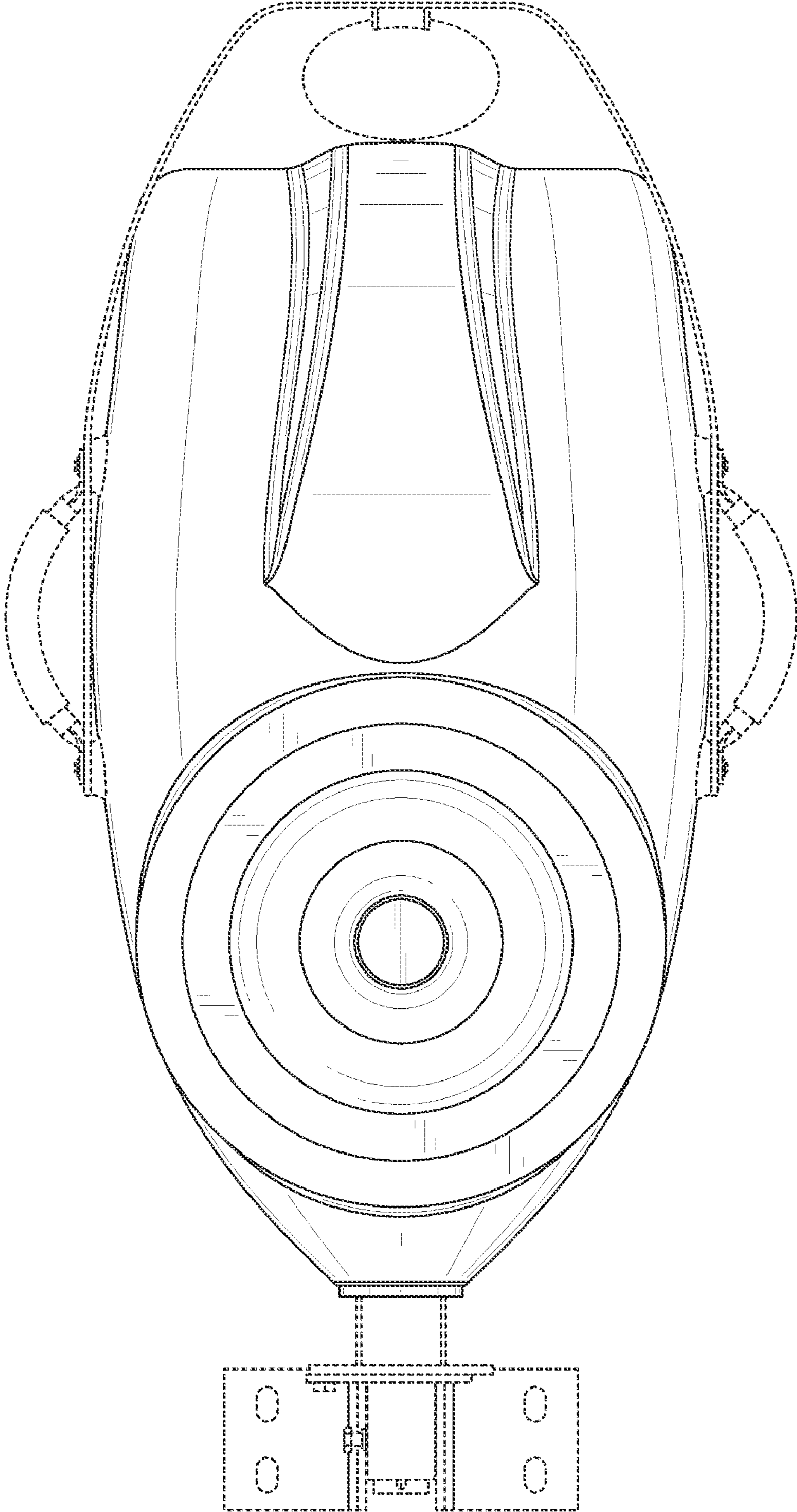


FIG. 3

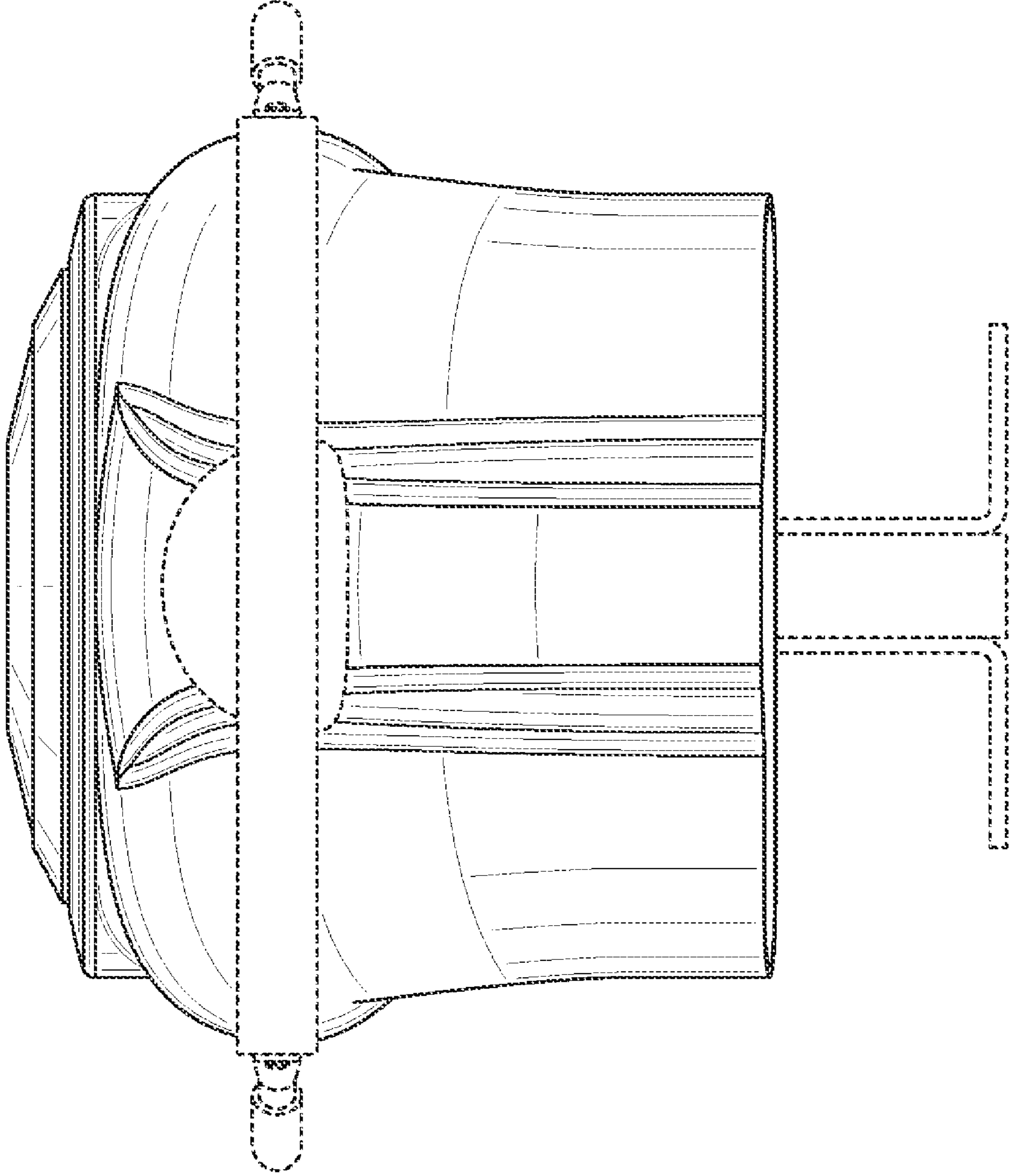


FIG. 4

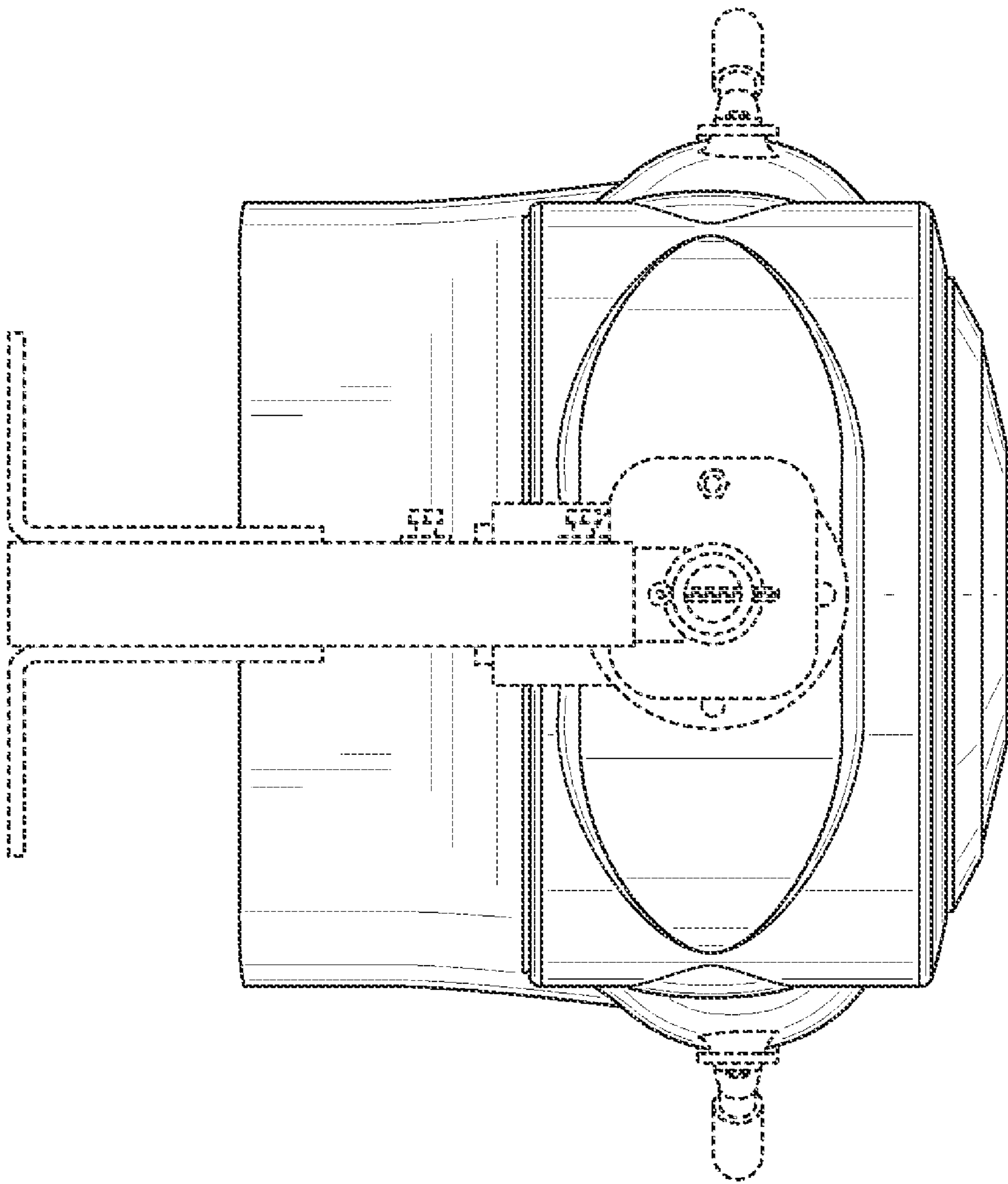


FIG. 5

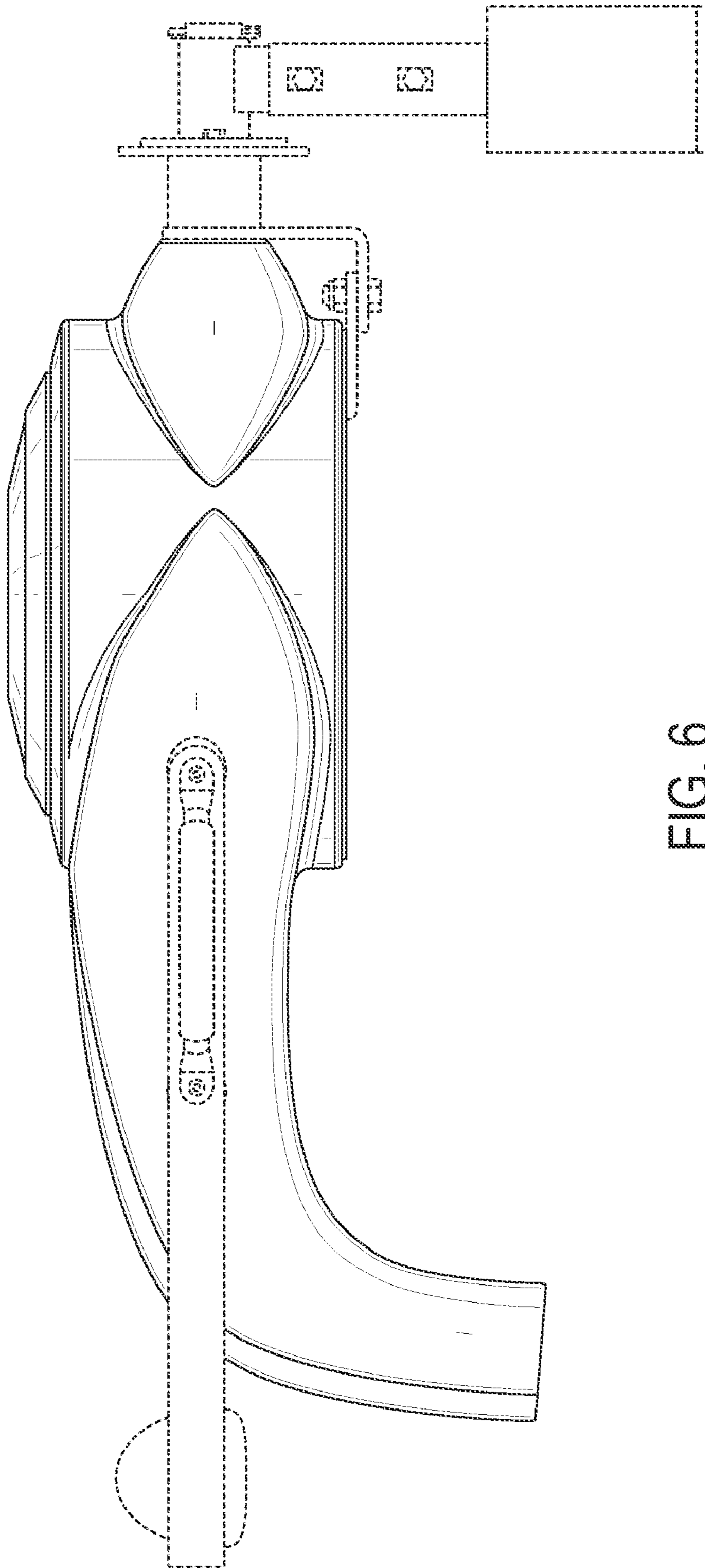


FIG. 6

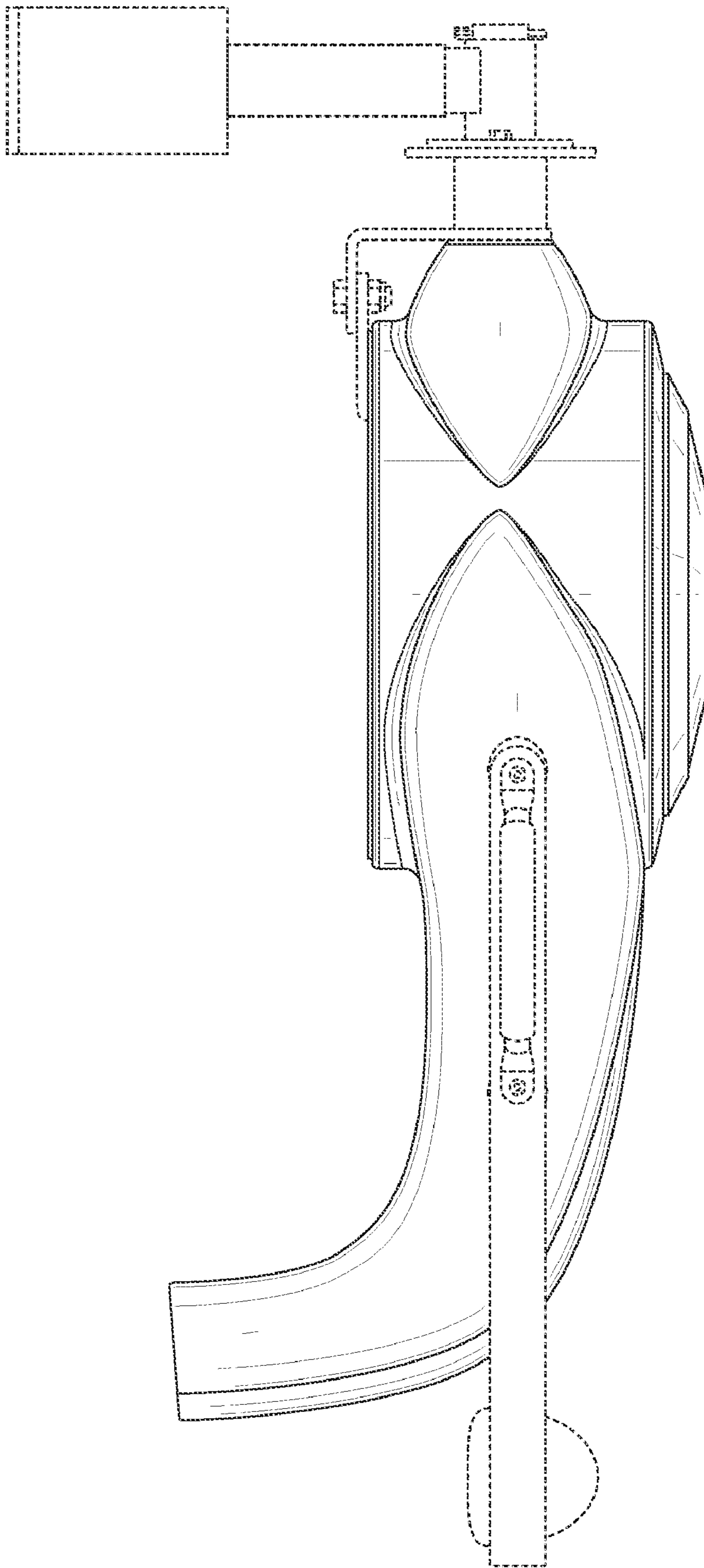


FIG. 7