

US00D625798S

(12) **United States Design Patent**
Hami et al.

(10) **Patent No.:** **US D625,798 S**
(45) **Date of Patent:** **** Oct. 19, 2010**

(54) **DEODORANT HOLDER**

(76) Inventors: **Hossein Hami**, Via S. Francesco, 9,
Sovizzo (VI) (IT) 36050; **Davide**
Barragato, Via Fratelli Stuparich, 28,
Vicenza (IT) 36100

(**) Term: **14 Years**

(21) Appl. No.: **29/333,932**

(22) Filed: **Mar. 17, 2009**

(51) **LOC (9) Cl.** **28-99**

(52) **U.S. Cl.** **D23/367**

(58) **Field of Classification Search** D23/355-369;
D28/5, 6; 261/DIG. 17, DIG. 42, DIG. 65,
261/DIG. 88, DIG. 89; 392/386, 390, 391,
392/392, 394, 395, 389, 393; 239/34, 35,
239/43-45, 53, 56, 57, 60, 326, 42, 50, 55
See application file for complete search history.

(56) **References Cited**

U.S. PATENT DOCUMENTS

5,193,445 A * 3/1993 Ferguson 99/482
6,264,887 B1 * 7/2001 Farmer 422/5
D483,396 S * 12/2003 Shah D18/7

D483,768 S * 12/2003 Shah D14/454
D488,473 S * 4/2004 Milinazzo et al. D14/403
D507,341 S * 7/2005 Taylor D23/368
D512,137 S * 11/2005 Chen D23/367
D532,188 S * 11/2006 McClaskie D2/952
D544,182 S * 6/2007 McClaskie D2/952
D594,954 S * 6/2009 Wheatley D23/366

* cited by examiner

Primary Examiner—Sandra Snapp
(74) *Attorney, Agent, or Firm*—Themis Law

(57) **CLAIM**

The ornamental design for a deodorant holder, as shown and described.

DESCRIPTION

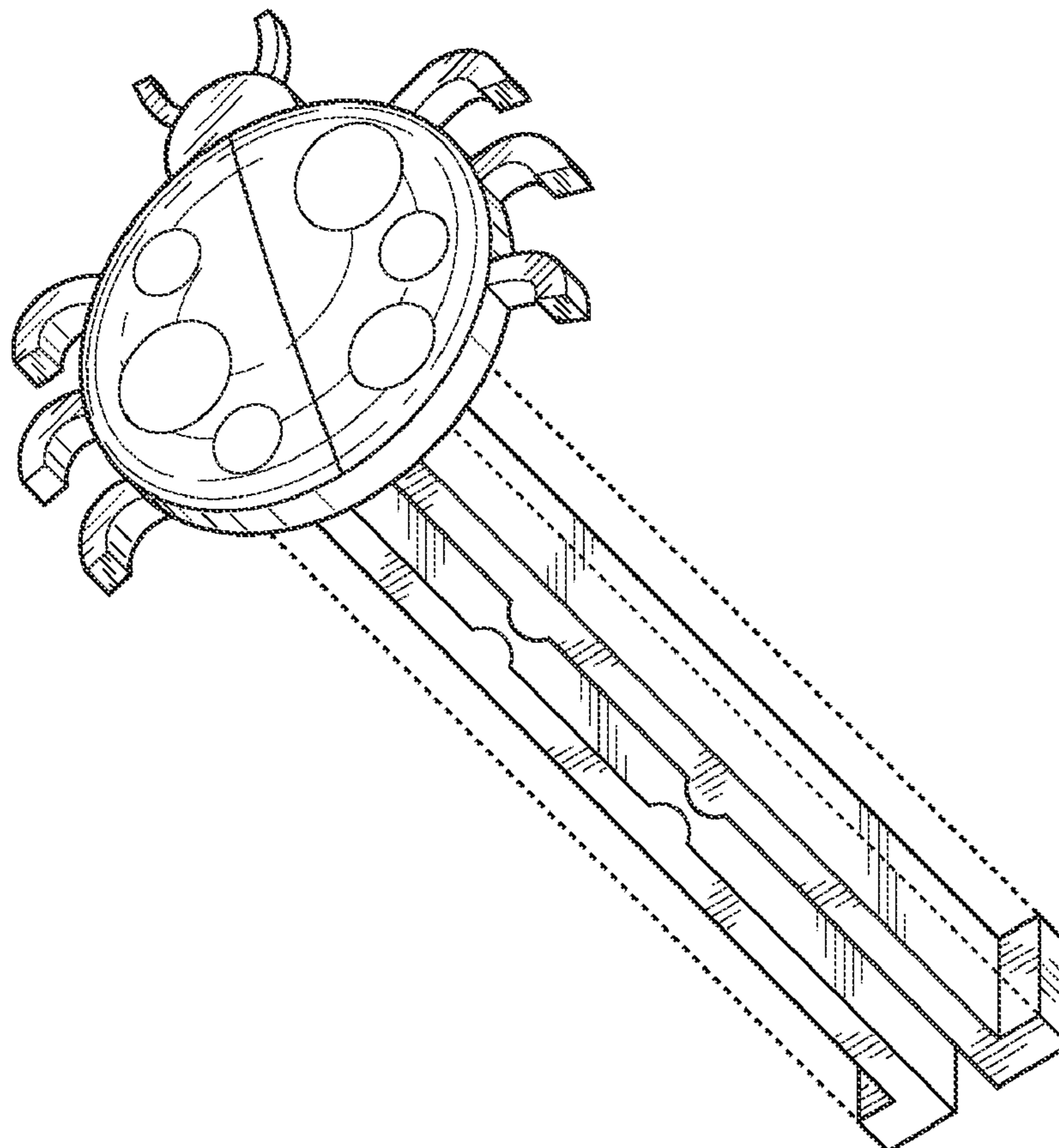
FIG. 1 is a front perspective view of a deodorant holder showing our new design;

FIG. 2 is a front elevational view thereof; and,

FIG. 3 is a top view thereof.

Deodorant sticks are shown in dashed lines and do not form part of the claimed design.

1 Claim, 3 Drawing Sheets



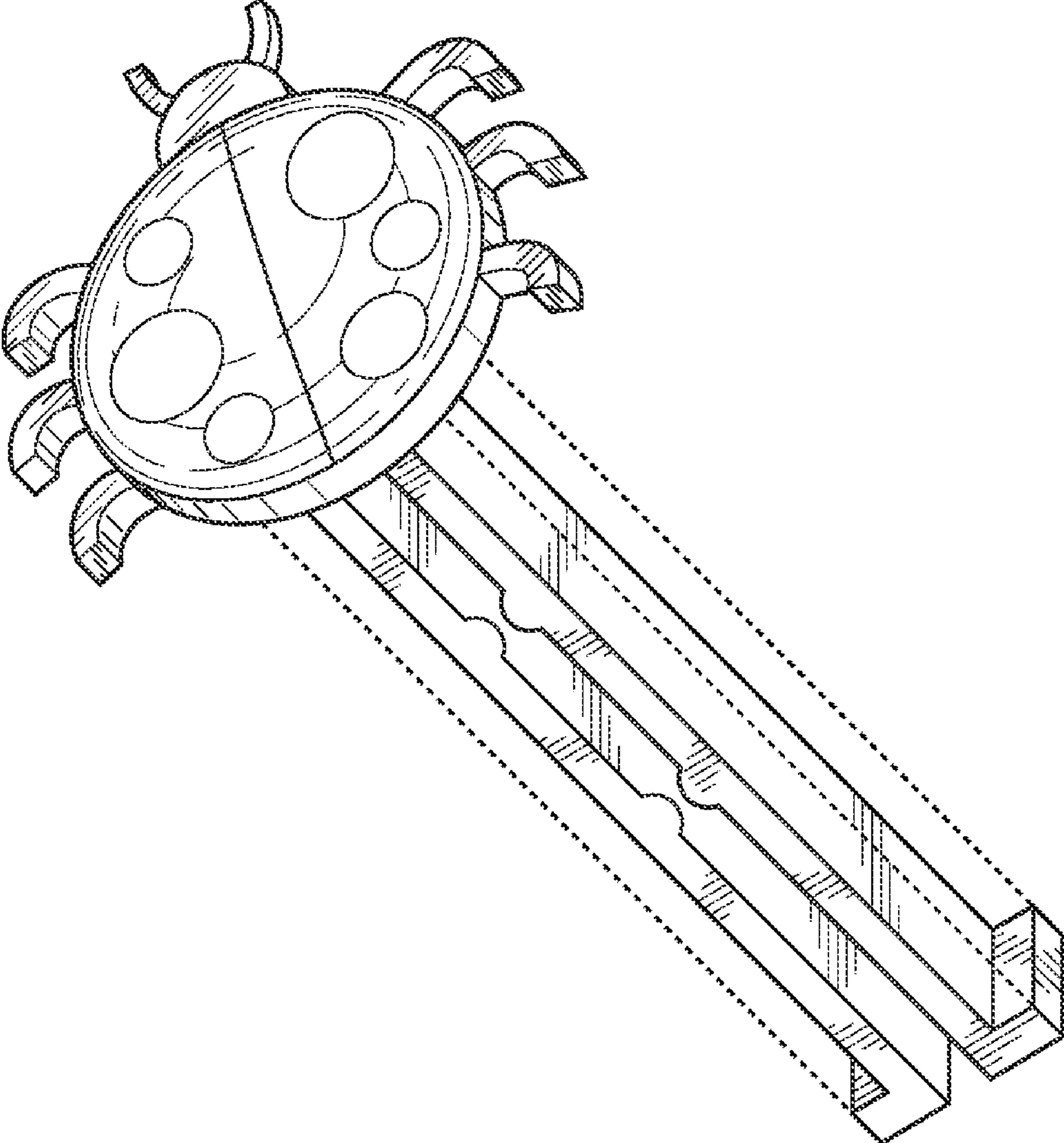


FIG. 1

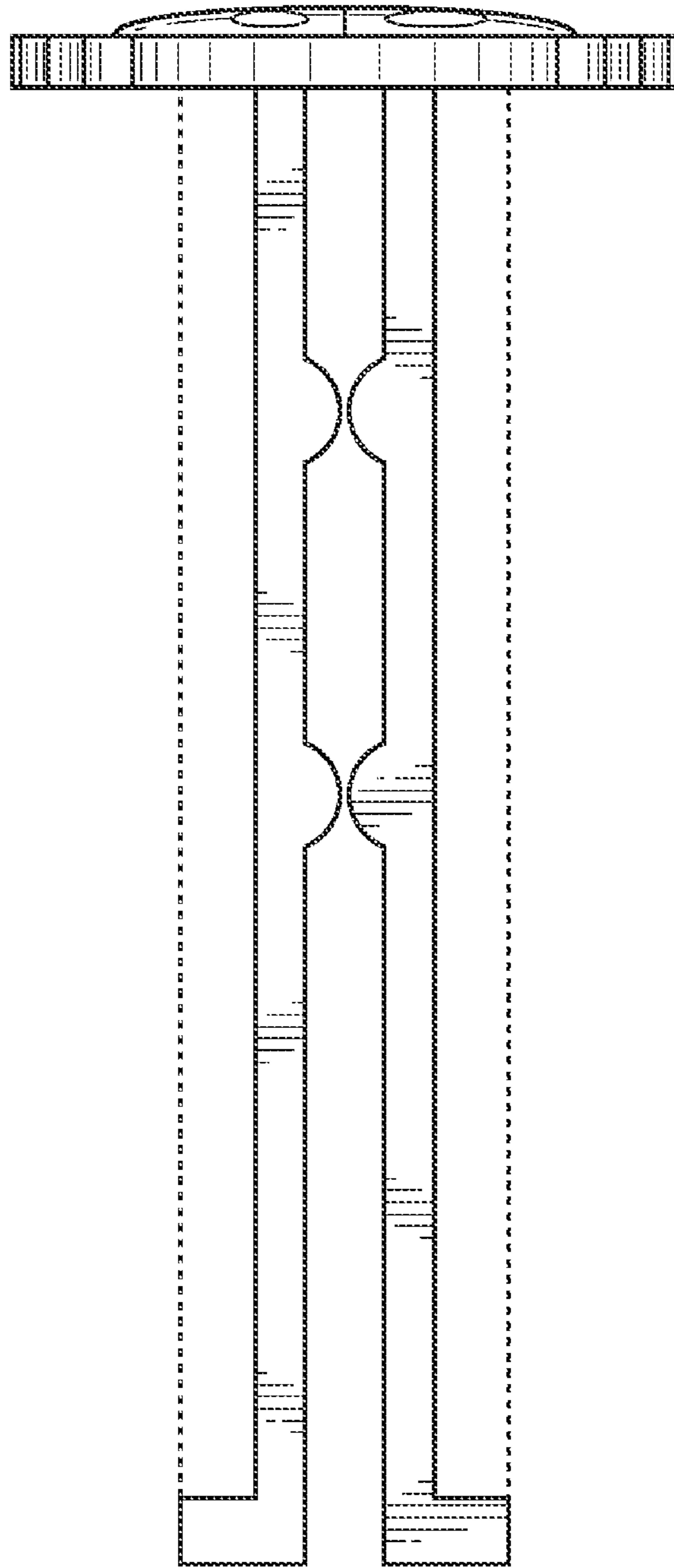


FIG. 2

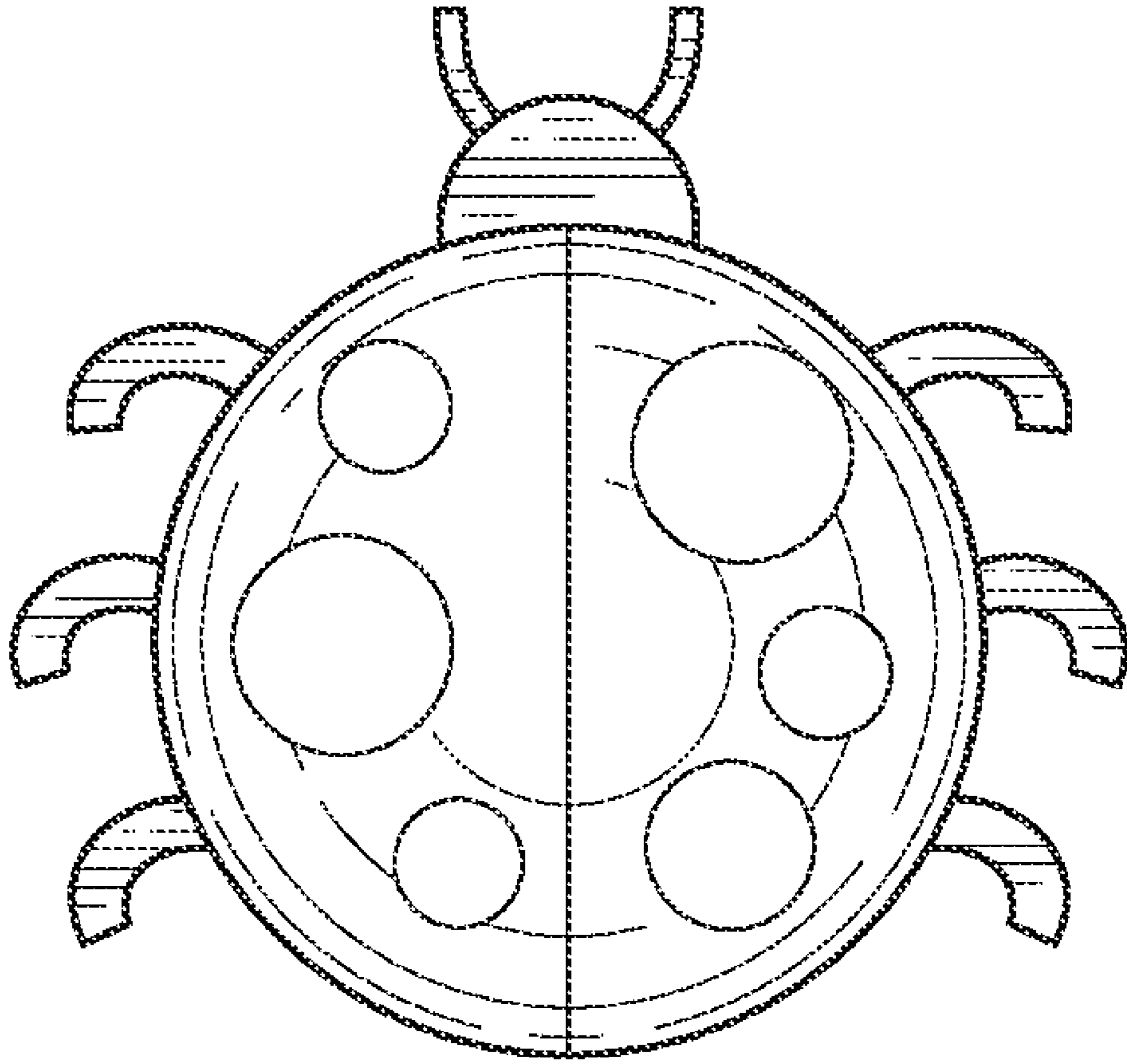


FIG. 3