



US00D625794S

(12) **United States Design Patent**
Mehta

(10) **Patent No.:** **US D625,794 S**
(45) **Date of Patent:** **** Oct. 19, 2010**

(54) **TOILET ROLL CABINET AND FLUSHABLE FUNNELS**

(76) Inventor: **Mahendra Nagindas Mehta**, 6921
Spring Valley Way, Fort Worth, TX (US)
76132

(**) Term: **14 Years**

(21) Appl. No.: **29/365,531**

(22) Filed: **Jul. 9, 2010**

Related U.S. Application Data

(63) Continuation of application No. 12/544,913, filed on
Aug. 20, 2009.

(51) **LOC (9) Cl.** **23-01**

(52) **U.S. Cl.** **D23/309**

(58) **Field of Classification Search** D6/515,
D6/518, 520; D23/270, 271, 295, 302, 303,
D23/309; 4/300.3, 661, 301

See application file for complete search history.

(56) **References Cited**

U.S. PATENT DOCUMENTS

- 4,881,660 A 11/1989 Suttles
- 5,345,619 A * 9/1994 Harrington 4/301
- 5,390,374 A * 2/1995 Hubrig et al. 4/301
- 5,566,400 A 10/1996 Jonc
- 5,819,331 A * 10/1998 Miuccio 4/301

- 6,038,708 A 3/2000 Schreck
- 6,305,034 B1 10/2001 Urrutia
- 6,499,155 B1 12/2002 Barrios
- 7,412,732 B1 8/2008 Leonard
- 7,516,923 B2 4/2009 Rossini
- D617,895 S * 6/2010 Aguila D23/309
- D619,229 S * 7/2010 Kwak D23/309

* cited by examiner

Primary Examiner—Brian N Vinson

(57) **CLAIM**

The ornamental design for a toilet roll cabinet and flushable funnels, as shown and described.

DESCRIPTION

FIG. 1 is a top, front, and left side perspective view of a toilet roll cabinet and flushable funnels showing my new design, the broken-line disclosure of a toilet being for illustrative purposes only and forming no part of the claimed design;

FIG. 2 is a top, front, and right side perspective view thereof;

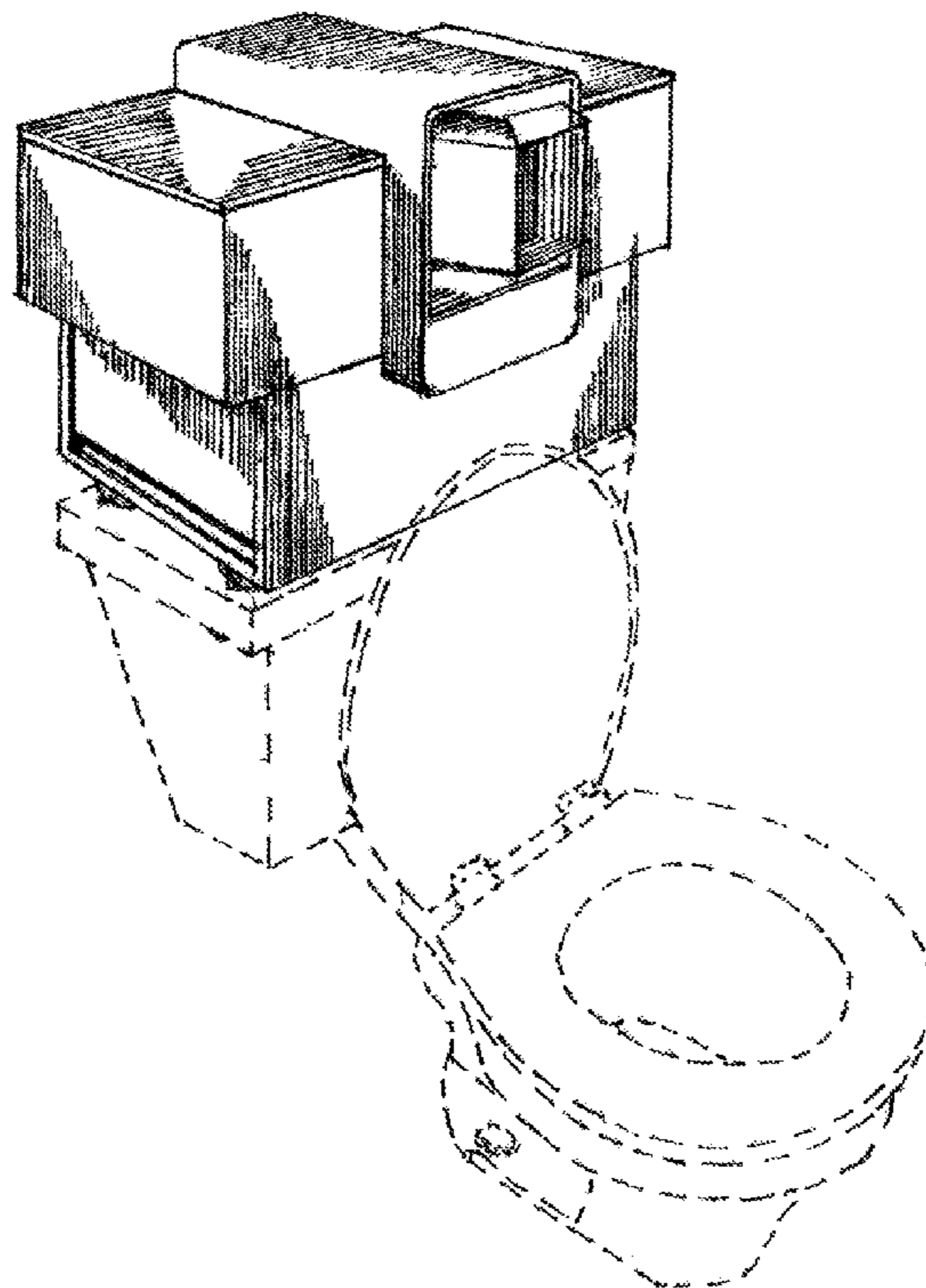
FIG. 3 is a bottom plan view thereof;

FIG. 4 is a rear elevational view thereof;

FIG. 5 is an enlarged, fragmentary top, front, left side perspective view of the drawer portion thereof, shown in a partially extended position; and,

FIG. 6 is a vertical cross-sectional view thereof, taken along line 6—6 of FIG. 2 thereof.

1 Claim, 1 Drawing Sheet



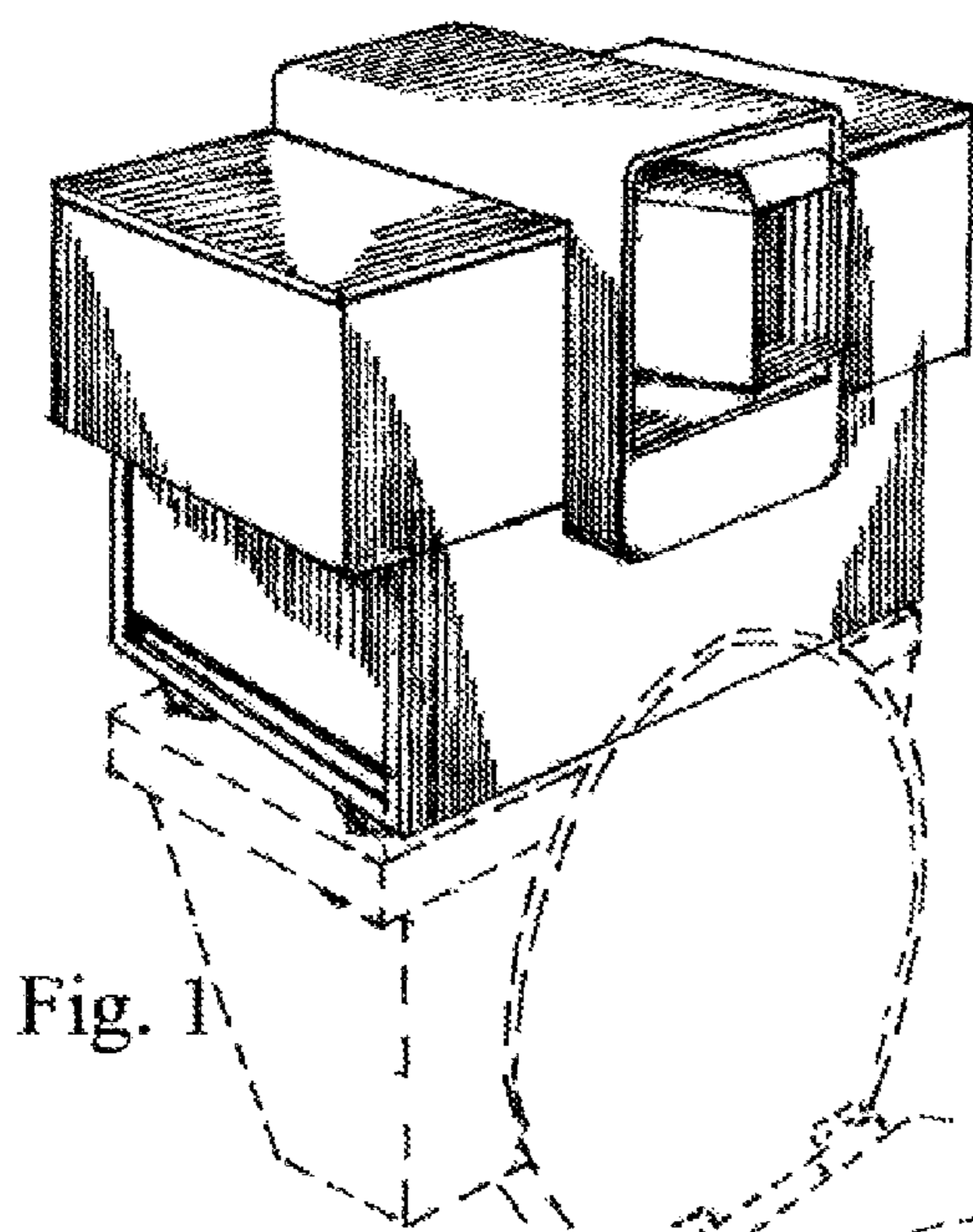


Fig. 1

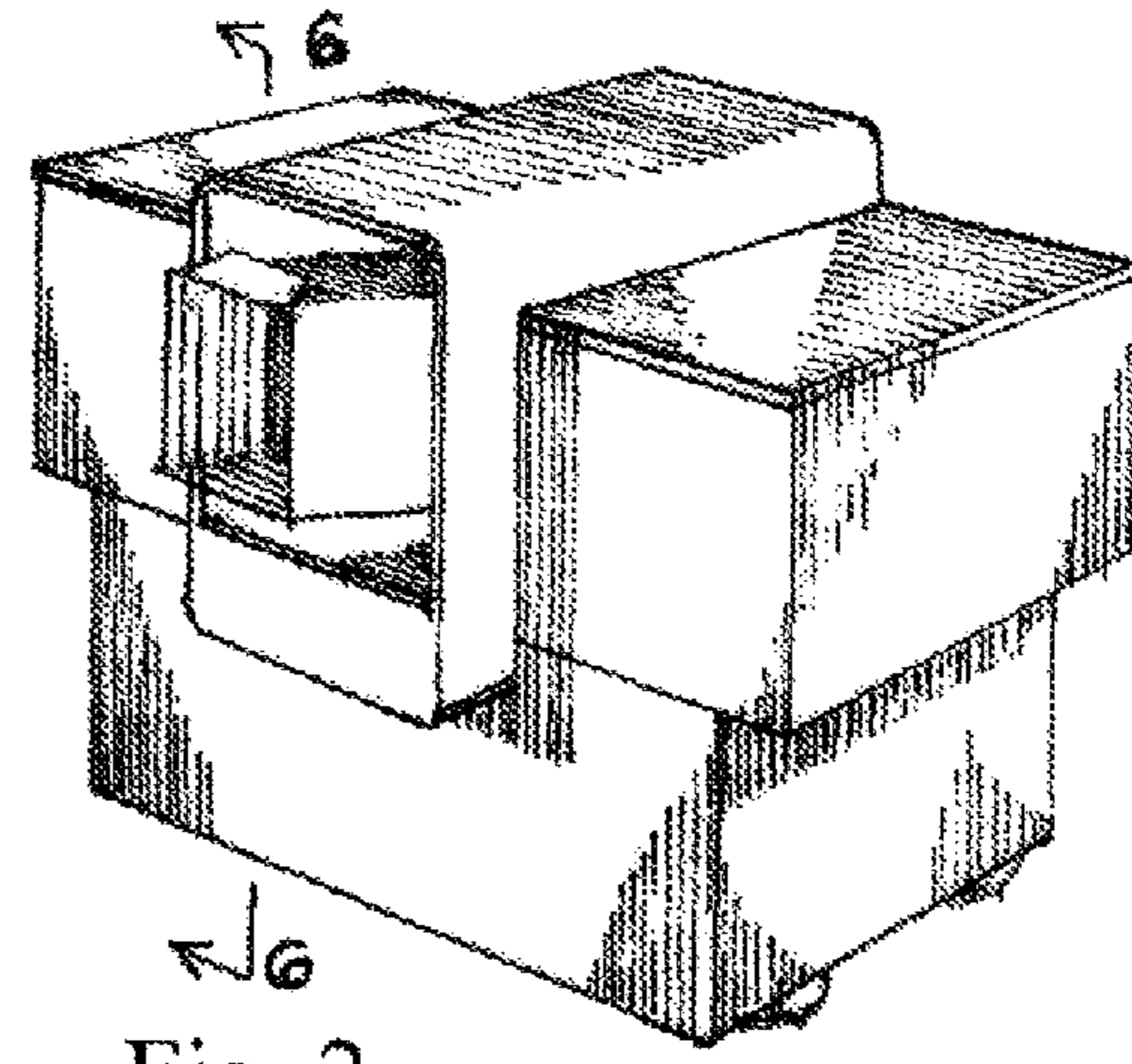


Fig. 2

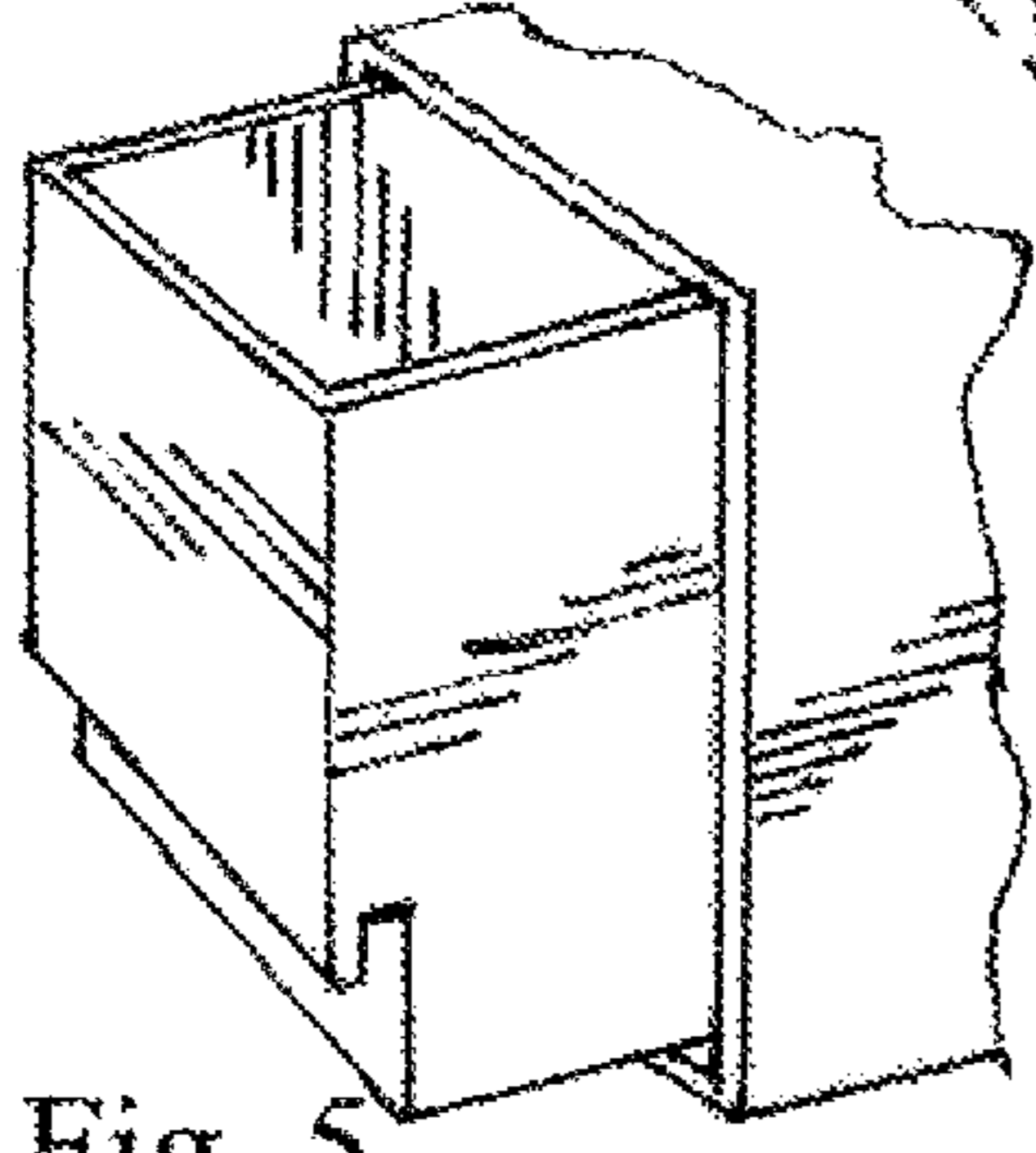


Fig. 5

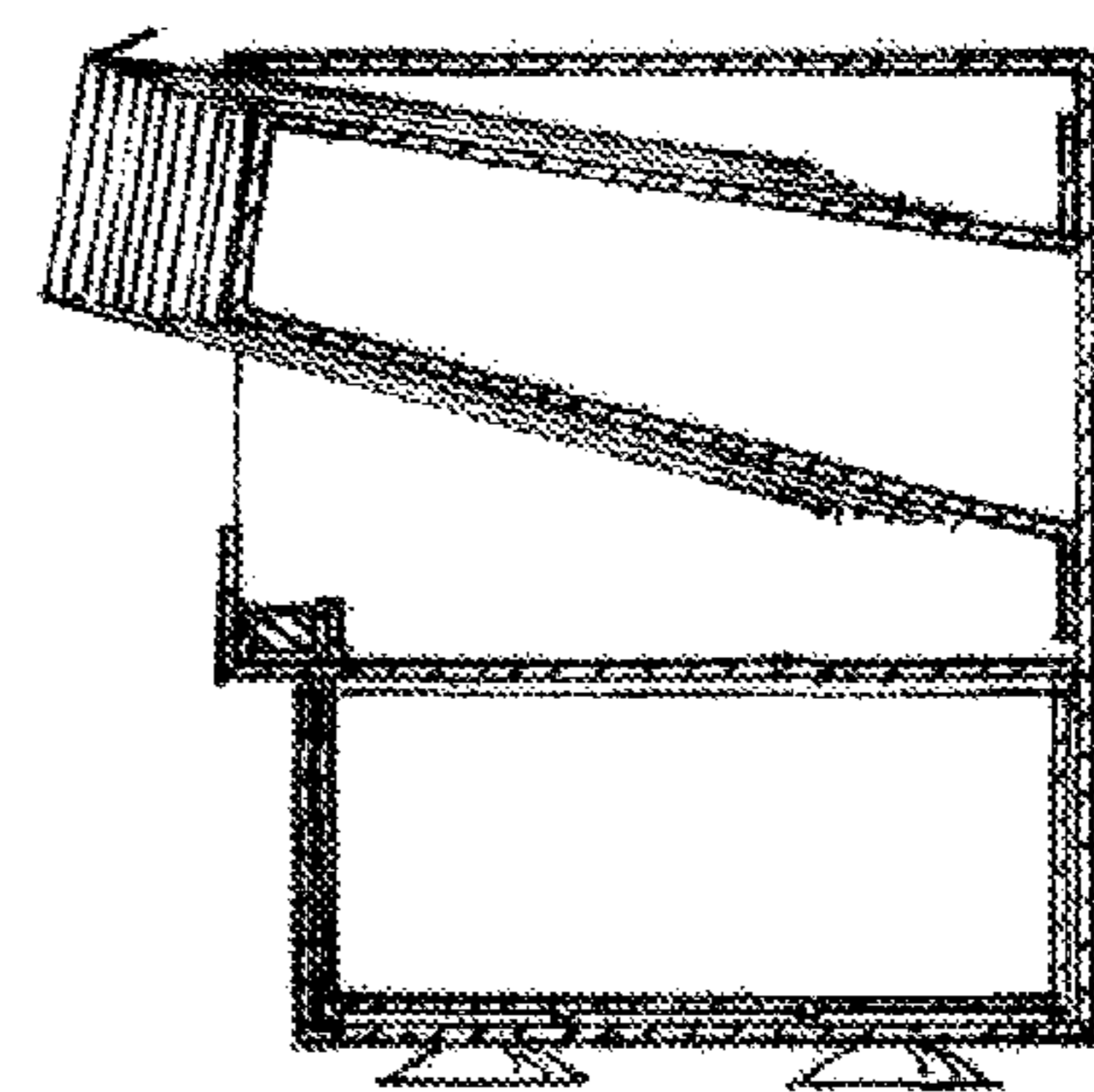


Fig. 6

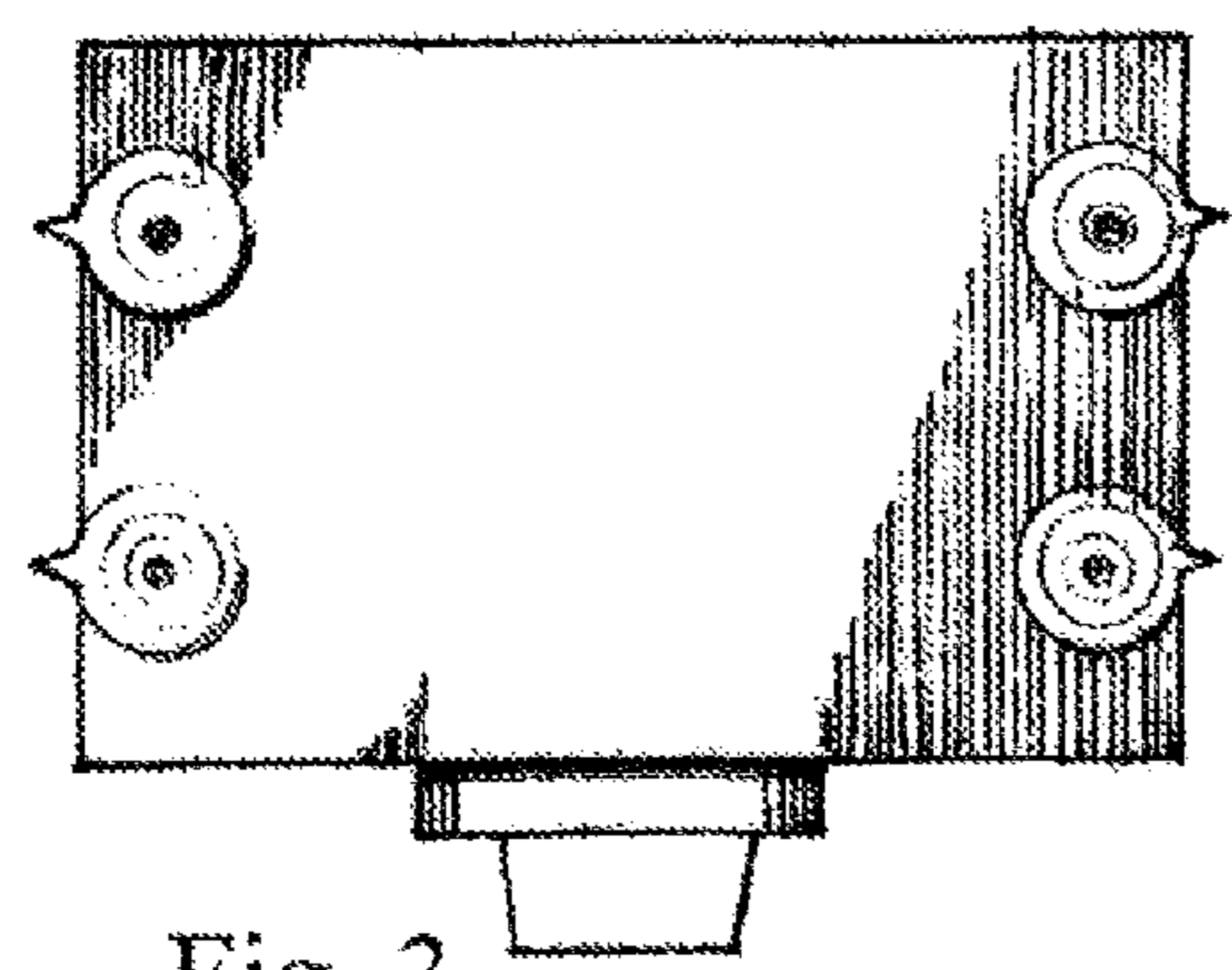


Fig. 3

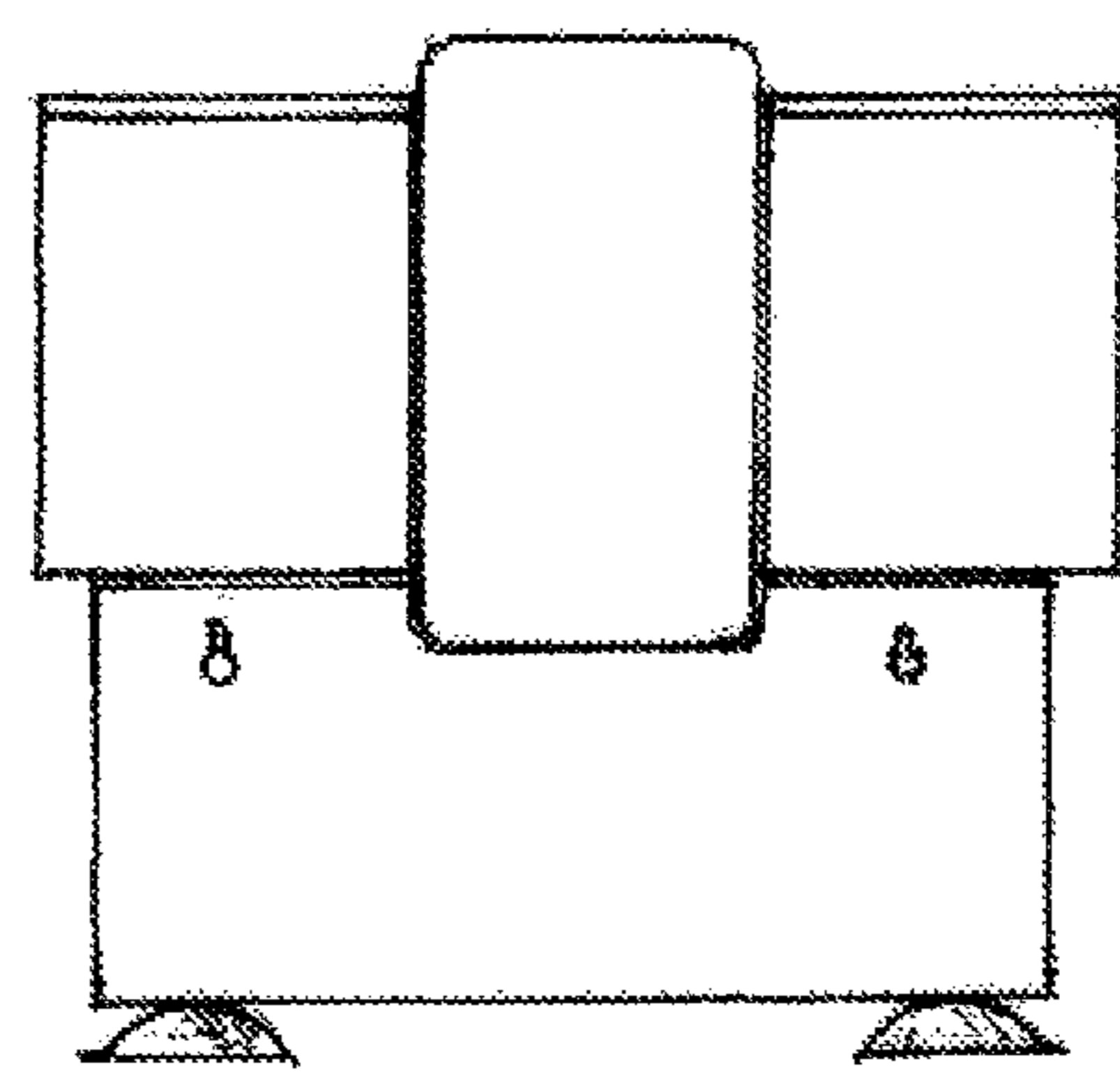


Fig. 4