



US00D625793S

(12) **United States Design Patent**  
**Pereira Del Arroyo**

(10) **Patent No.:** **US D625,793 S**  
(45) **Date of Patent:** **\*\* Oct. 19, 2010**

(54) **SUPPORT ACCESSORY FOR TOILETS**

(76) Inventor: **Antonio Flavio Pereira Del Arroyo**,  
Rua Frederico Linck 55, Apt. 41, Barrio  
Independencia, Porto Alegre (BR)  
CEP-90035-010

(\*\*) Term: **14 Years**

(21) Appl. No.: **29/327,082**

(22) Filed: **Oct. 30, 2008**

(30) **Foreign Application Priority Data**

Jun. 17, 2008 (EM) ..... 000953534-0001  
Jun. 17, 2008 (EM) ..... 000953534-0002  
Jun. 17, 2008 (EM) ..... 000953534-0003

(51) **LOC (9) Cl.** ..... **23-02**

(52) **U.S. Cl.** ..... **D23/309; D6/379**

(58) **Field of Classification Search** ..... D23/299,  
D23/303-304, 309; D6/379-380; 297/445.1,  
297/446.1; 4/312, 465  
See application file for complete search history.

(56) **References Cited**

**U.S. PATENT DOCUMENTS**

D149,957 S \* 6/1948 Leslie et al. .... D23/299  
3,047,884 A \* 8/1962 Grondona ..... 4/254  
D257,879 S \* 1/1981 Hicks ..... D23/309  
D295,240 S \* 4/1988 Stubblefield ..... D6/379  
D317,381 S \* 6/1991 Fulcheri ..... D6/379  
D333,576 S \* 3/1993 Burdick et al. .... D6/379  
D333,739 S \* 3/1993 Yeh ..... D6/380  
D333,750 S \* 3/1993 Hess ..... D6/379

D338,348 S \* 8/1993 Zacky ..... D6/379  
D395,764 S \* 7/1998 Dozsa-Farkas ..... D6/372  
D396,360 S \* 7/1998 Zimmermann ..... D6/379  
D396,966 S \* 8/1998 Good ..... D6/379  
D409,409 S \* 5/1999 Muller ..... D6/380  
D423,807 S \* 5/2000 Bartlmae ..... D6/380  
D498,602 S \* 11/2004 Goodman ..... D6/379  
D581,180 S \* 11/2008 Chi ..... D6/380

\* cited by examiner

*Primary Examiner*—Robert A Delehanty

(74) *Attorney, Agent, or Firm*—Leason Ellis LLP

(57) **CLAIM**

The ornamental design for a support accessory for toilets, as shown and described.

**DESCRIPTION**

FIG. 1 is a perspective view including front, top and right sides showing my new design for a support accessory for toilets;

FIG. 2 is another perspective view including front, top and right sides thereof with a lid of the toilet in an up position;

FIG. 3 is a left side view thereof of which the right side is a mirror image;

FIG. 4 is a front view thereof;

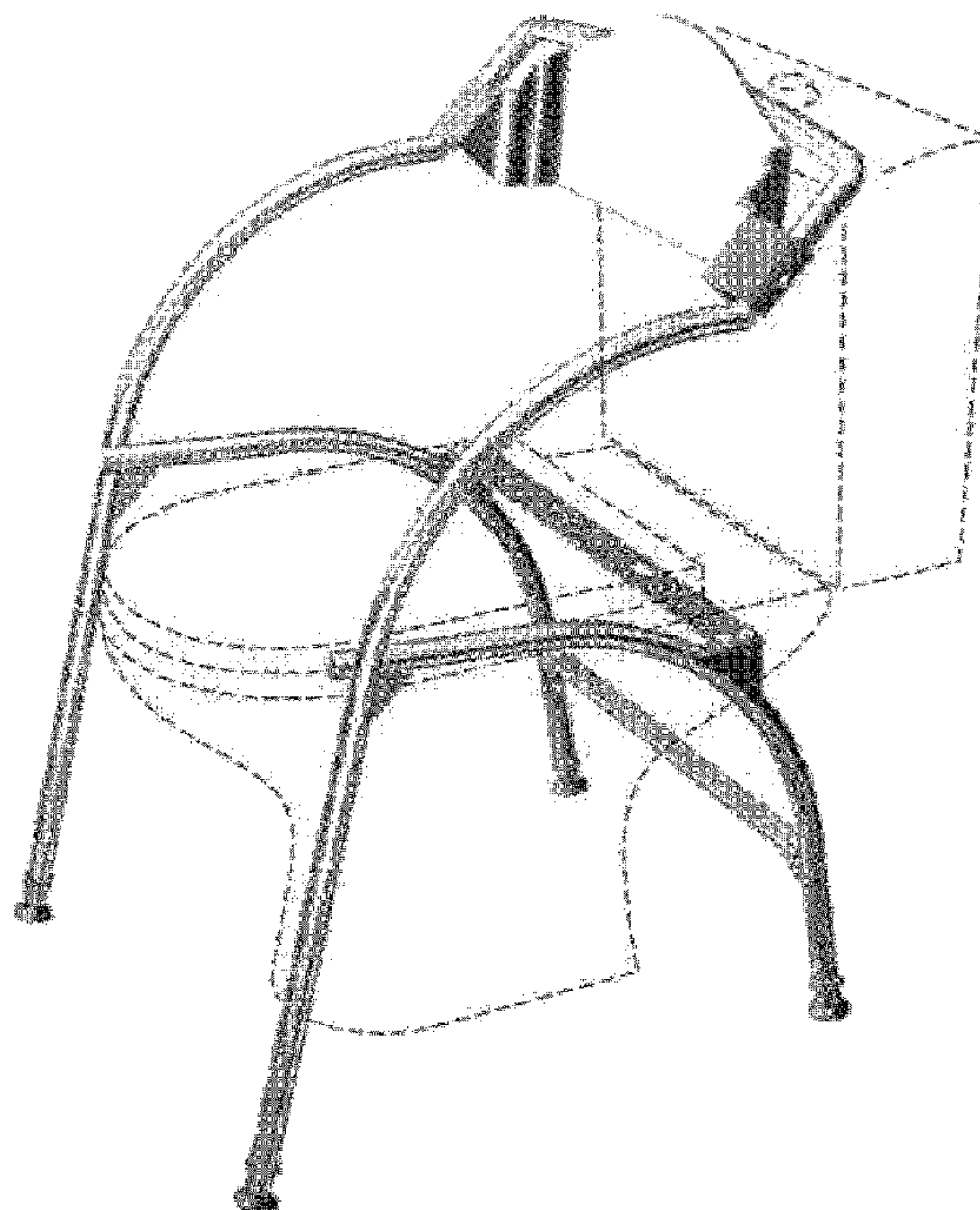
FIG. 5 is a rear view thereof;

FIG. 6 is a top view thereof; and,

FIG. 7 is a bottom view thereof.

The broken line showing of a toilet is included for illustration and forms no part of the claimed design.

**1 Claim, 7 Drawing Sheets**



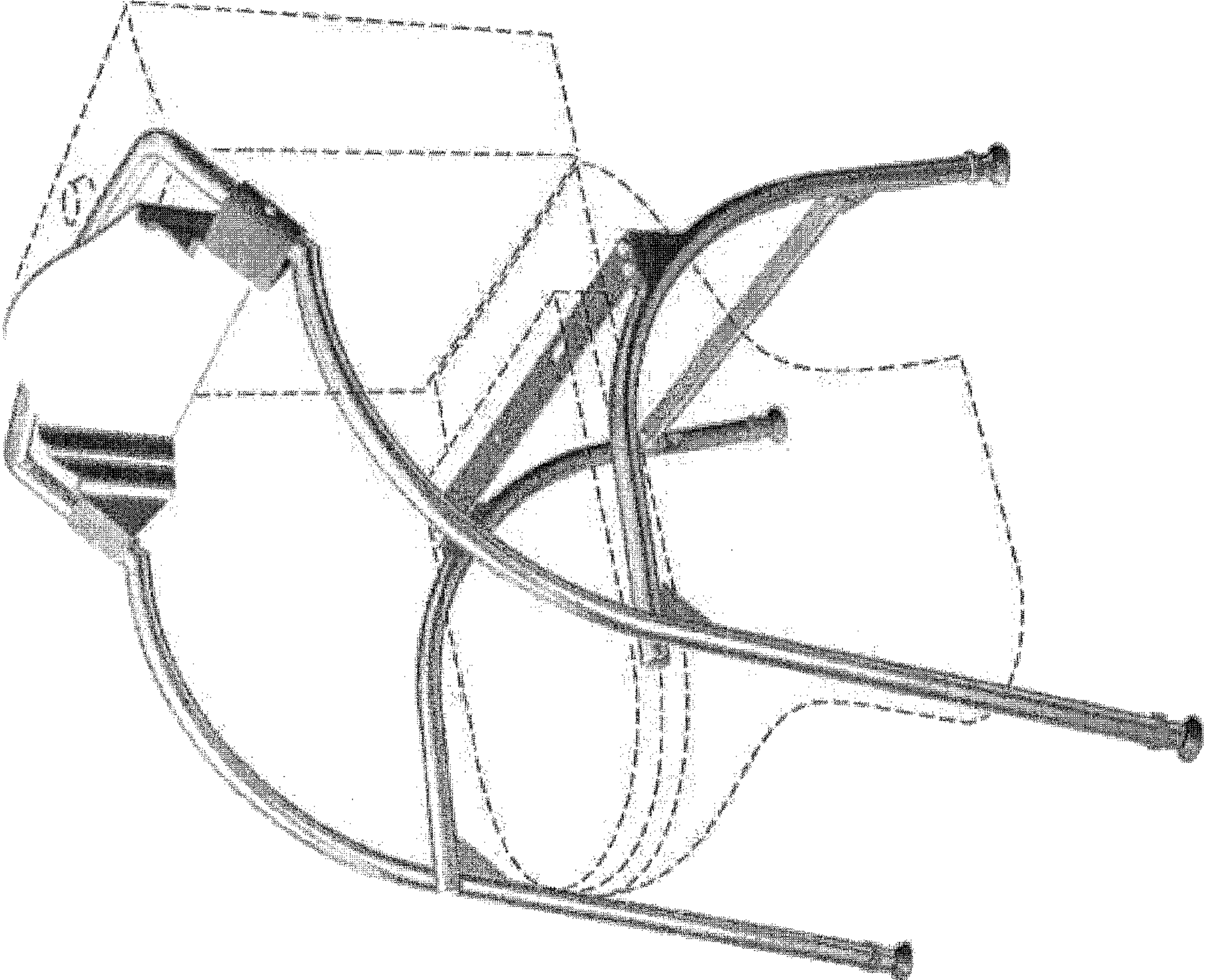


Figure 1



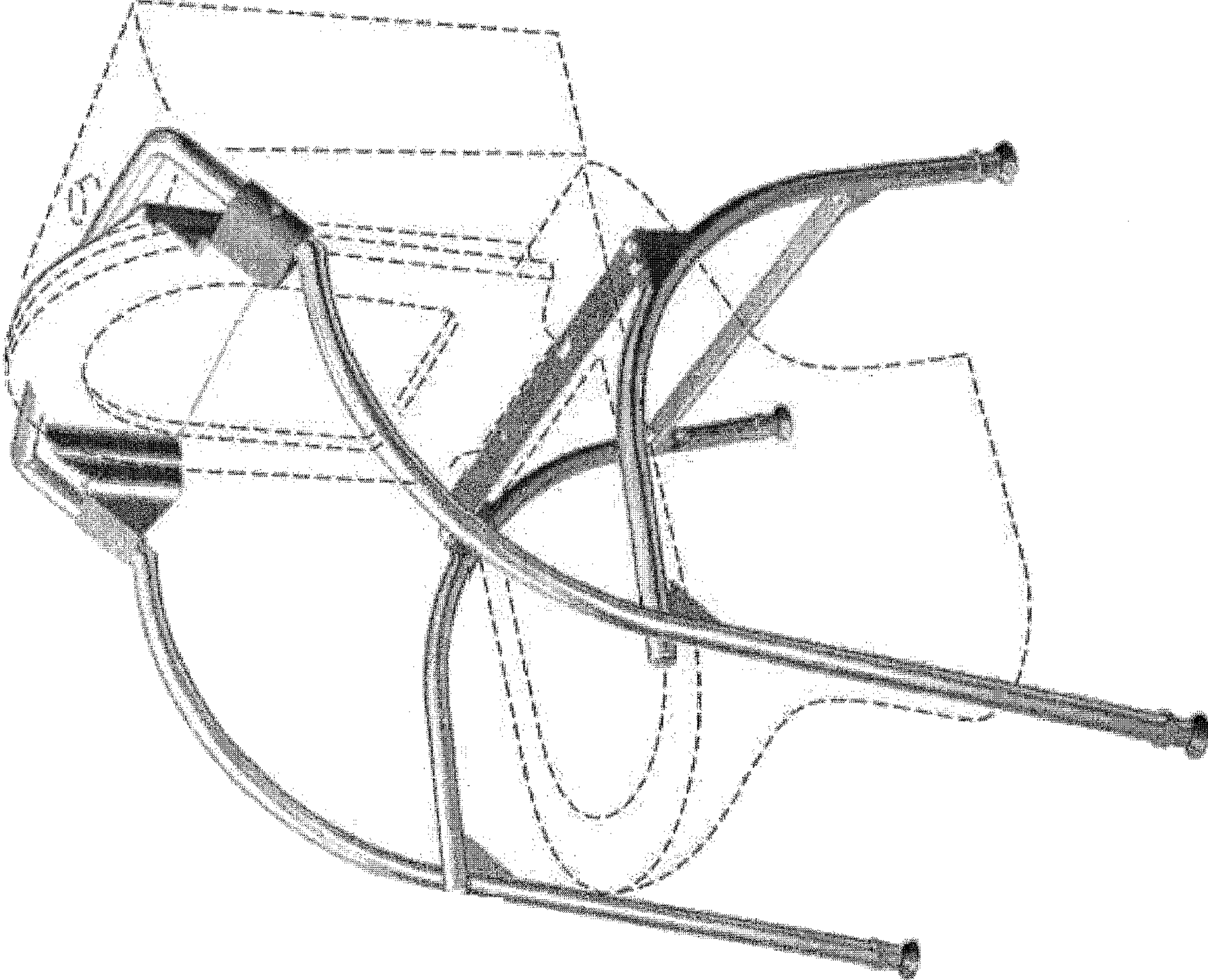


Figure 2

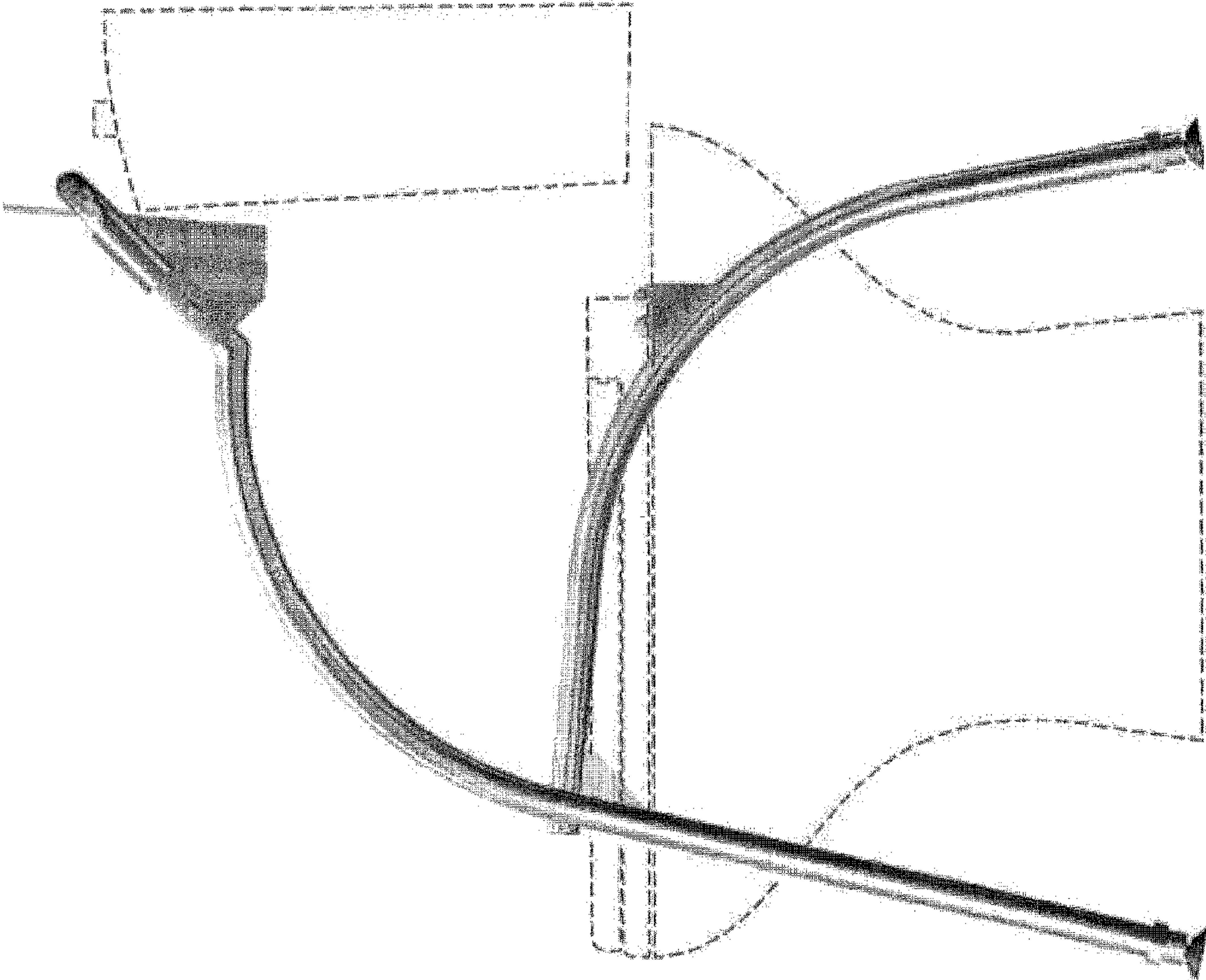


Figure 3



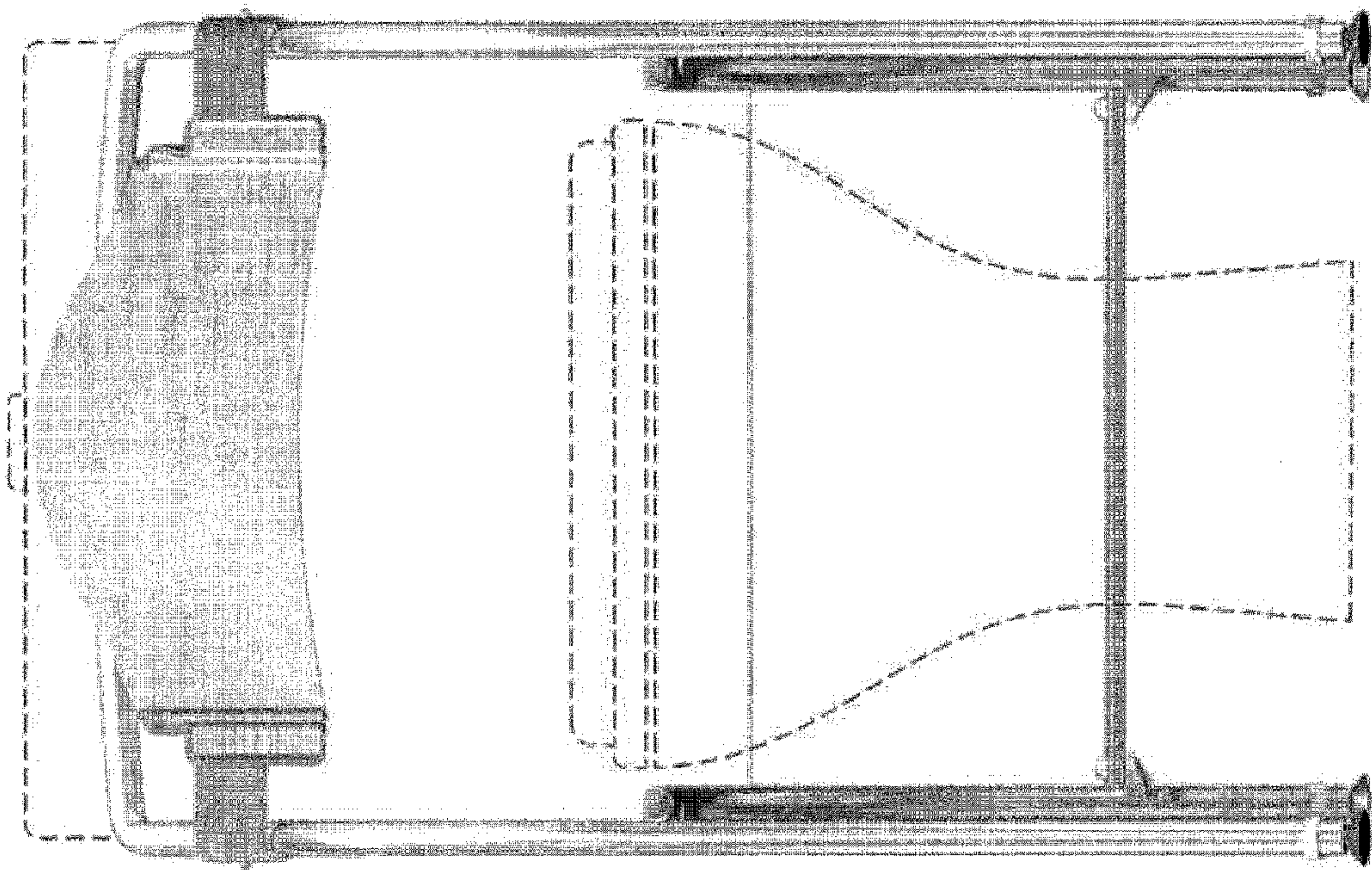


Figure 4

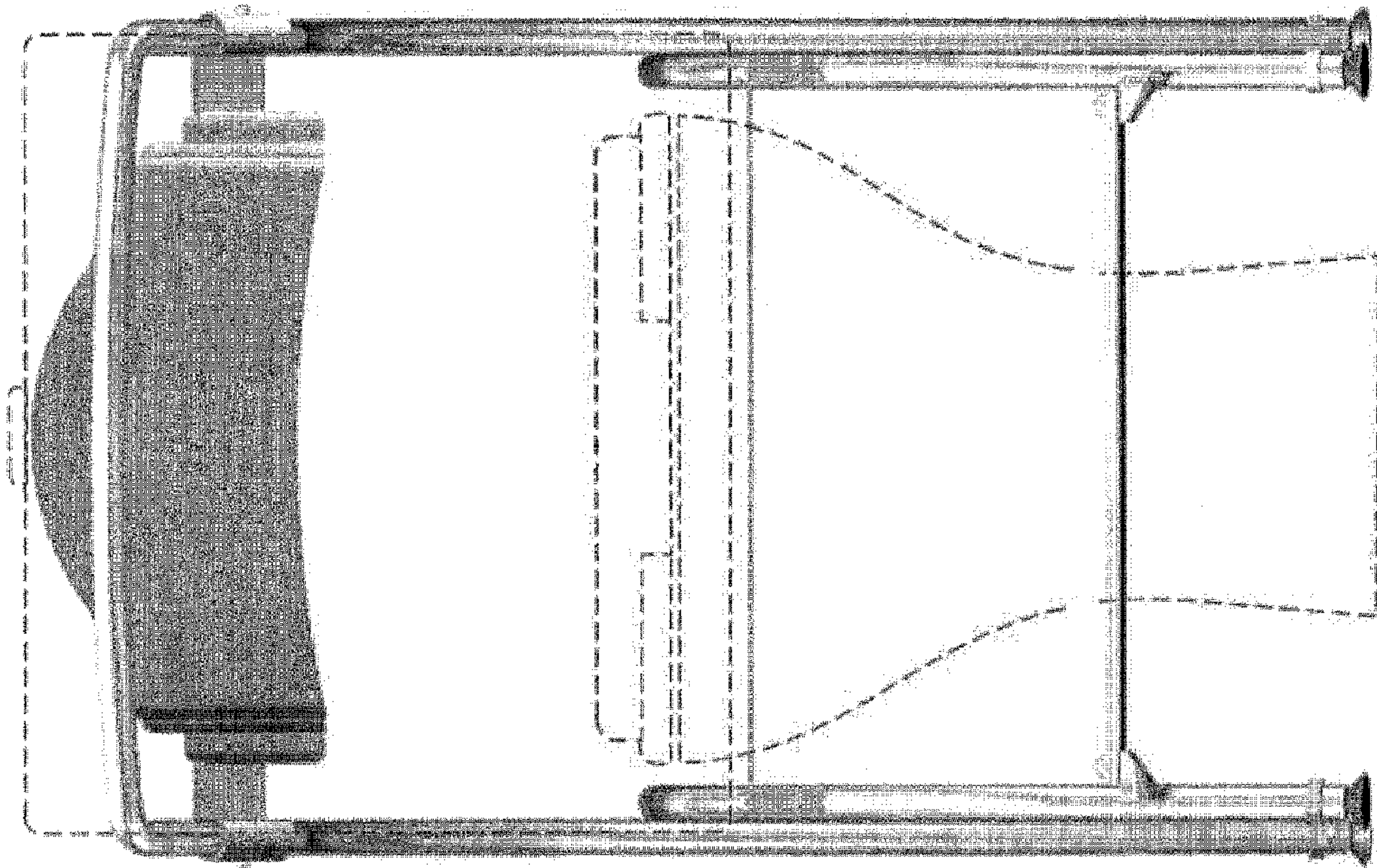


Figure 5



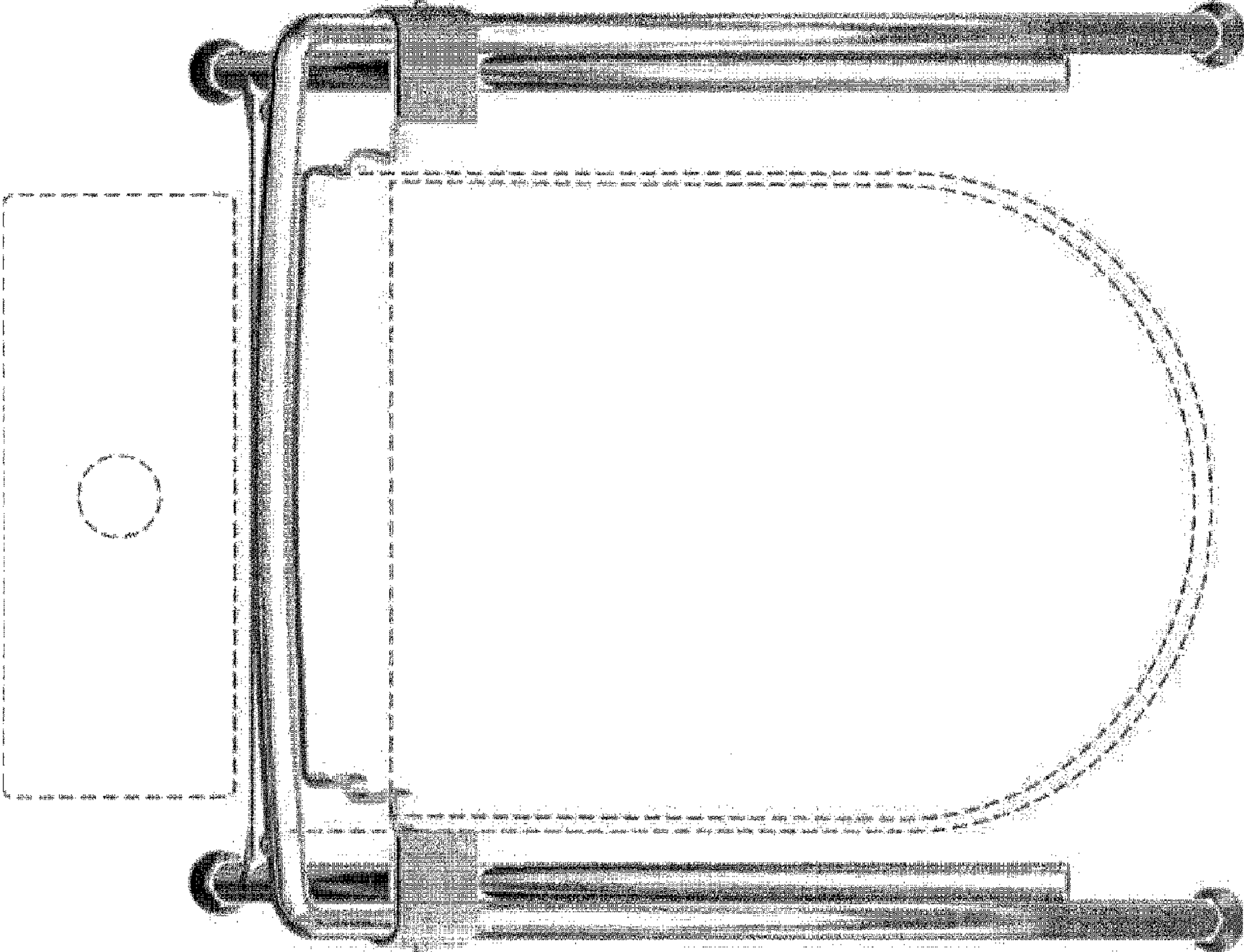


Figure 6

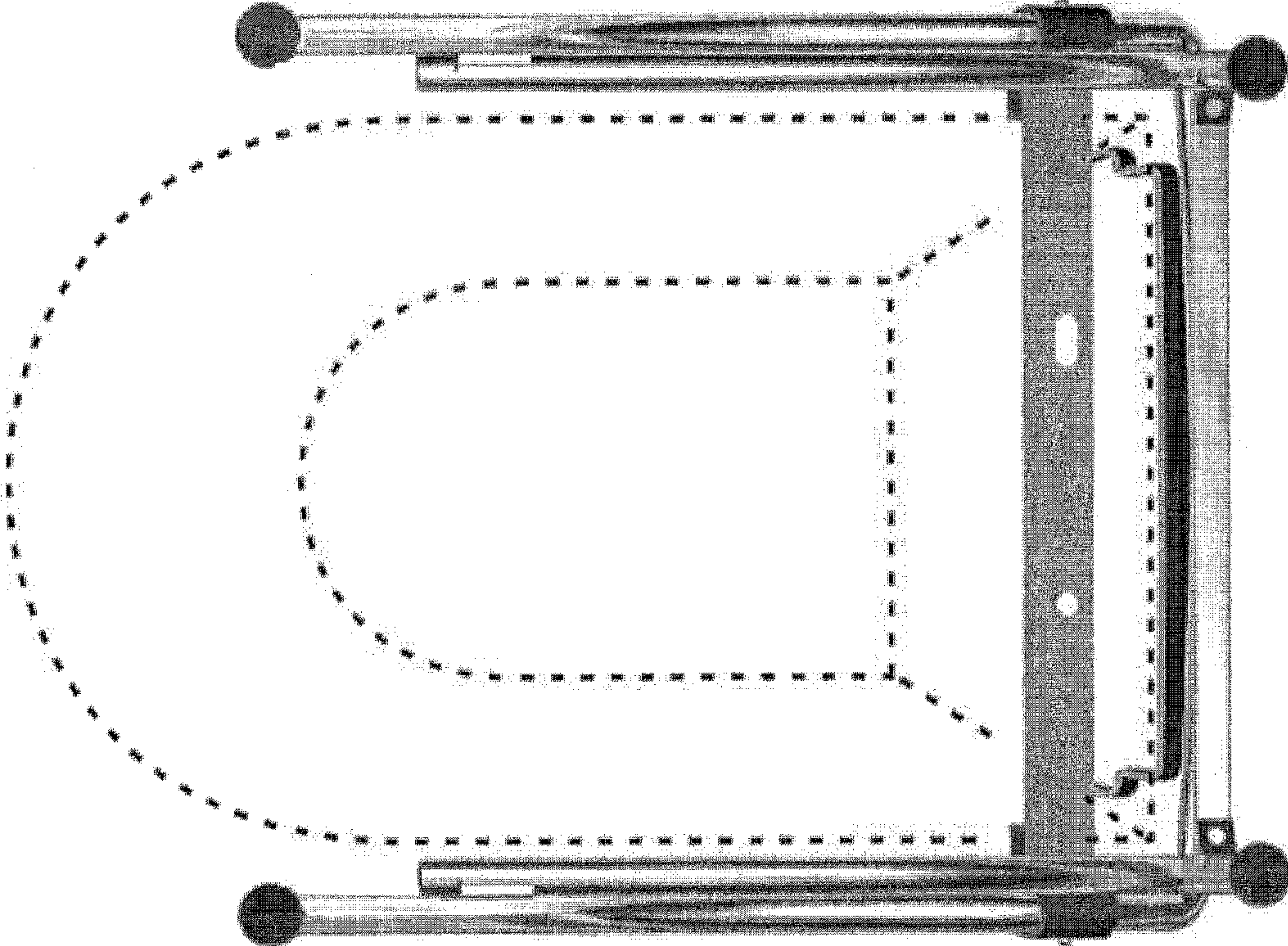


Figure 7