



US00D625791S

(12) **United States Design Patent**
Cusimano

(10) **Patent No.:** **US D625,791 S**
(45) **Date of Patent:** **** Oct. 19, 2010**

(54) **INTEGRAL UNDERMOUNT STONE
COMPOSITE SINK**

(76) Inventor: **Chad Michael Cusimano**, 95 Saginaw
Dr., Rochester, NY (US) 14623

(**) Term: **14 Years**

(21) Appl. No.: **29/331,821**

(22) Filed: **Feb. 2, 2009**

(51) **LOC (9) Cl.** **23-02**

(52) **U.S. Cl.** **D23/308; 4/660**

(58) **Field of Classification Search** D23/284–285,
D23/293.1, 308; 4/619, 631, 650, 660
See application file for complete search history.

(56) **References Cited**

U.S. PATENT DOCUMENTS

3,778,884	A *	12/1973	Bene	4/650
4,175,292	A *	11/1979	Morrison	4/660
5,458,769	A *	10/1995	Johannessen	4/650
6,108,831	A *	8/2000	Lombreglia, Jr.	4/631
6,154,895	A *	12/2000	Pisklak	4/660
6,349,429	B1 *	2/2002	Zurba et al.	4/661
7,478,443	B2 *	1/2009	Schneider et al.	4/633

OTHER PUBLICATIONS

Author Unknown. Undermount Kitchen Sink & Faucet Guide. Catalog. 2008. pp. 1, 8, and 96. Master Distribution Center—Trumbull Industries. USA.

Author Unknown. Lansen Quartz Sinks. Catalog. Year unknown. 2 pages. Karran. USA.

Author Unknown. www.lansensinks.com. Website. Jan. 15, 2010. 3 pages entitled "Model Selection".

(Continued)

Primary Examiner—Robert A Delehanty

(74) *Attorney, Agent, or Firm*—Robert D. Gunderman, Jr.;
Patent Technologies, LLC

(57) **CLAIM**

The ornamental design for an integral undermount stone composite sink, as shown and described.

DESCRIPTION

FIG. 1 is a top left front perspective view of a first embodiment of the integral undermount stone composite sink showing the new design;

FIG. 2 is a top right front perspective view of a first embodiment of the integral undermount stone composite sink shown in FIG. 1;

FIG. 3 is a bottom left rear perspective view of a first embodiment of the integral undermount stone composite sink shown in FIG. 1;

FIG. 4 is a bottom right rear perspective view of a first embodiment of the integral undermount stone composite sink shown in FIG. 1;

FIG. 5 is a top plan view of a first embodiment of the integral undermount stone composite sink shown in FIG. 1;

FIG. 6 is a top perspective view of a second embodiment of the integral undermount stone composite sink shown in FIG. 1, the only difference being the addition of a partition;

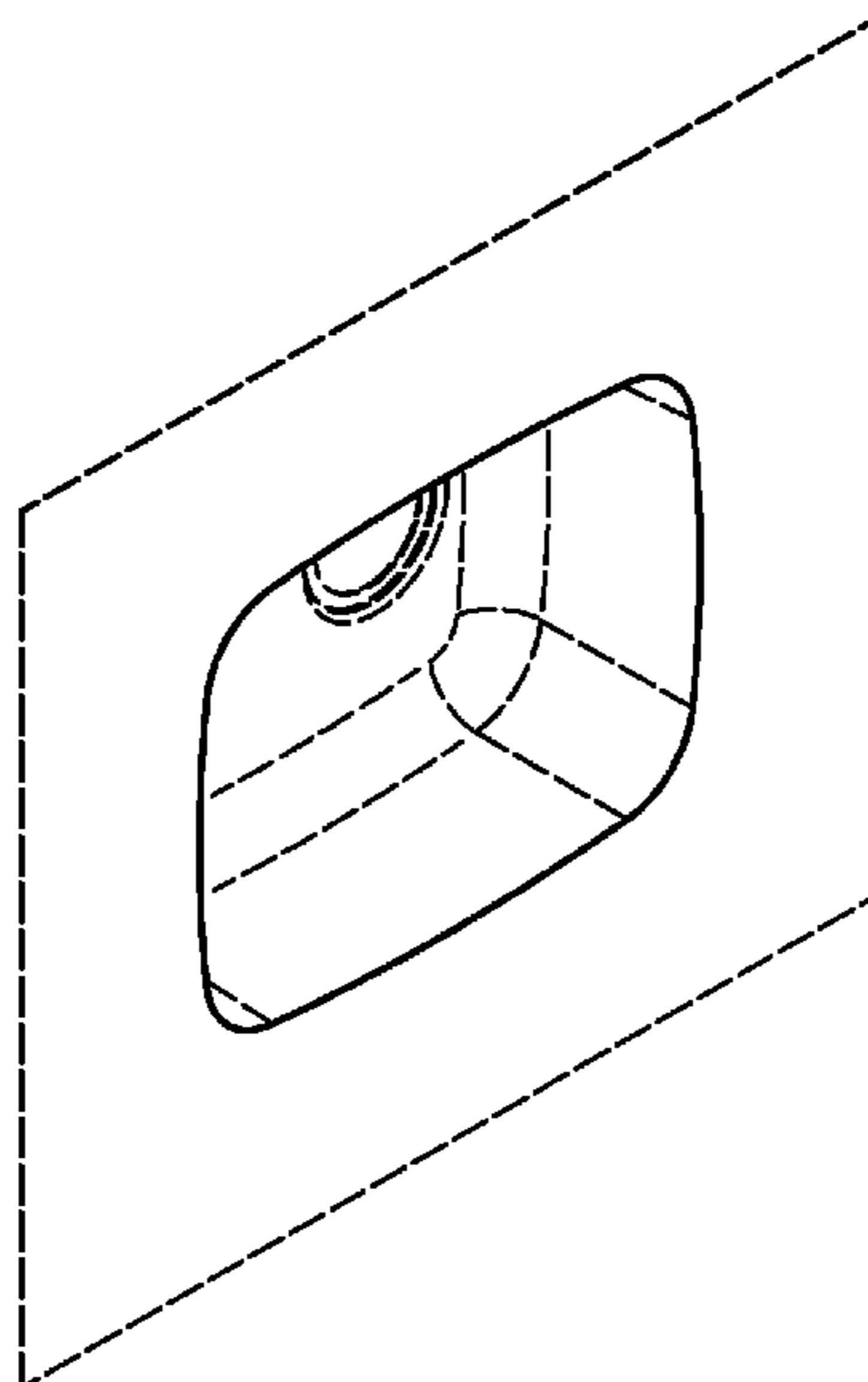
FIG. 7 is a top plan view of the second embodiment shown in FIG. 6; and,

FIG. 8 is a close up partially broken away view of the edge detail of the integral undermount stone composite sink showing the junction of the sink to the countertop.

Any broken line illustration of environmental structure in the drawings is for illustrative purposes only and forms no part of the claimed design.

The characteristic feature of the design resides in an edge where the undermount stone composite sink integrates with and meets the countertop surface, as more clearly depicted in FIG. 8.

1 Claim, 8 Drawing Sheets



OTHER PUBLICATIONS

Author Unknown. Blanco Form, Finish, and Fine Craftsmanship 2009 Showroom Guide. Catalog. 2009. pp. 62-67, front and back cover. Blanco, Inc., Lumberton, New Jersey, USA.

Author Unknown. www.blancoamerica.com. Website. Jan. 15, 2010. 1 page.

Author Unknown. www.homedepot.com. Website. Jan. 15, 2010. 2 pages. Description of Pegasus 33 Inx22 In. Composite Granite Double Bowl Kitchen Sink, Slate.

Author Unknown. www.fhpkindred.com. Website. Jan. 15, 2010. 1 page. Description of Kindred undermount sink.

Author Unknown. www.frankeusa.com. Website. Jan. 15, 2010. 1 page. Description of Granite Sink.

Author Unknown. www.swanstone.com. Website. Jan. 15, 2010. 1 page. Description of Undermount Double Bowl Sink.

* cited by examiner

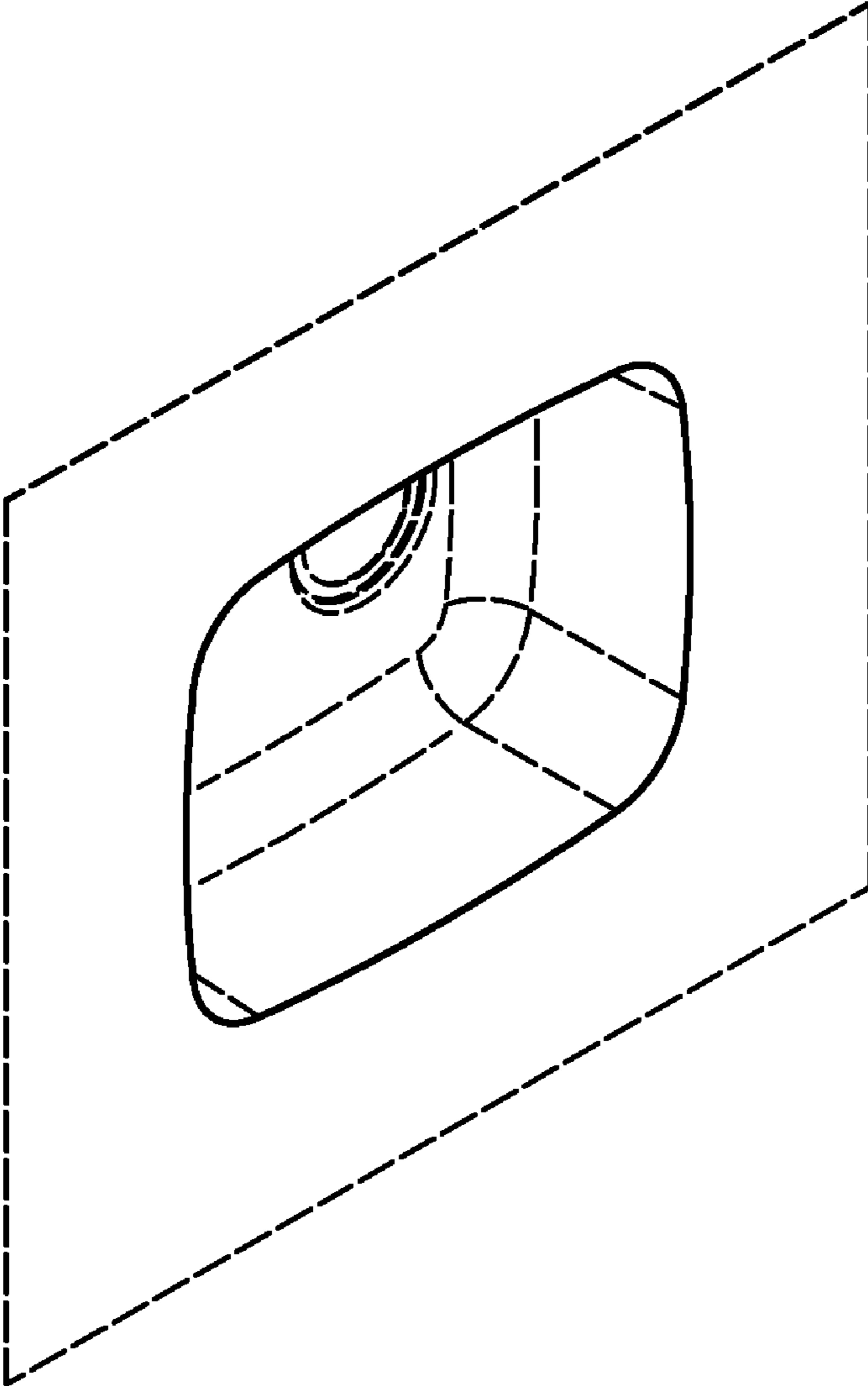


Fig. 1

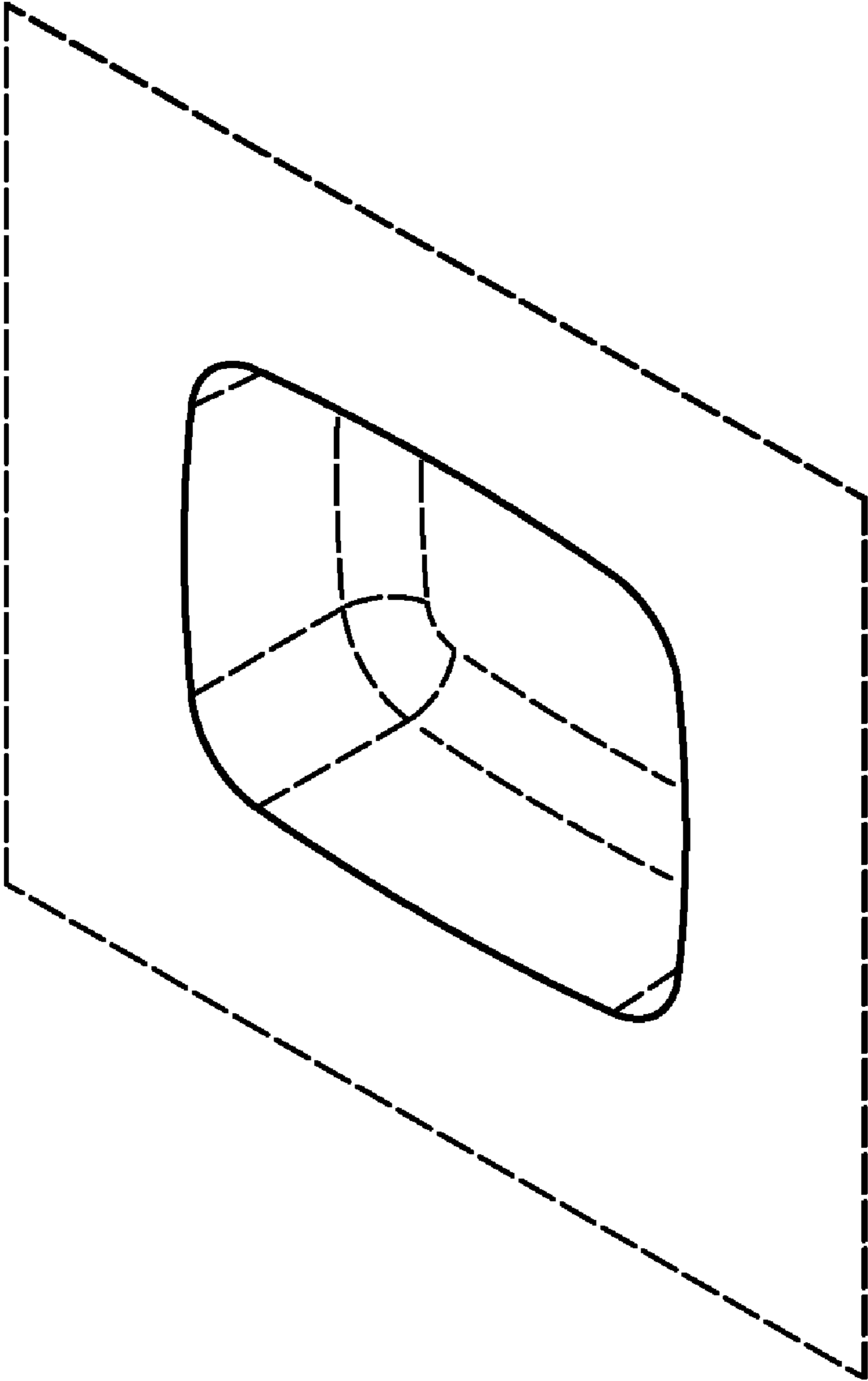


Fig. 2

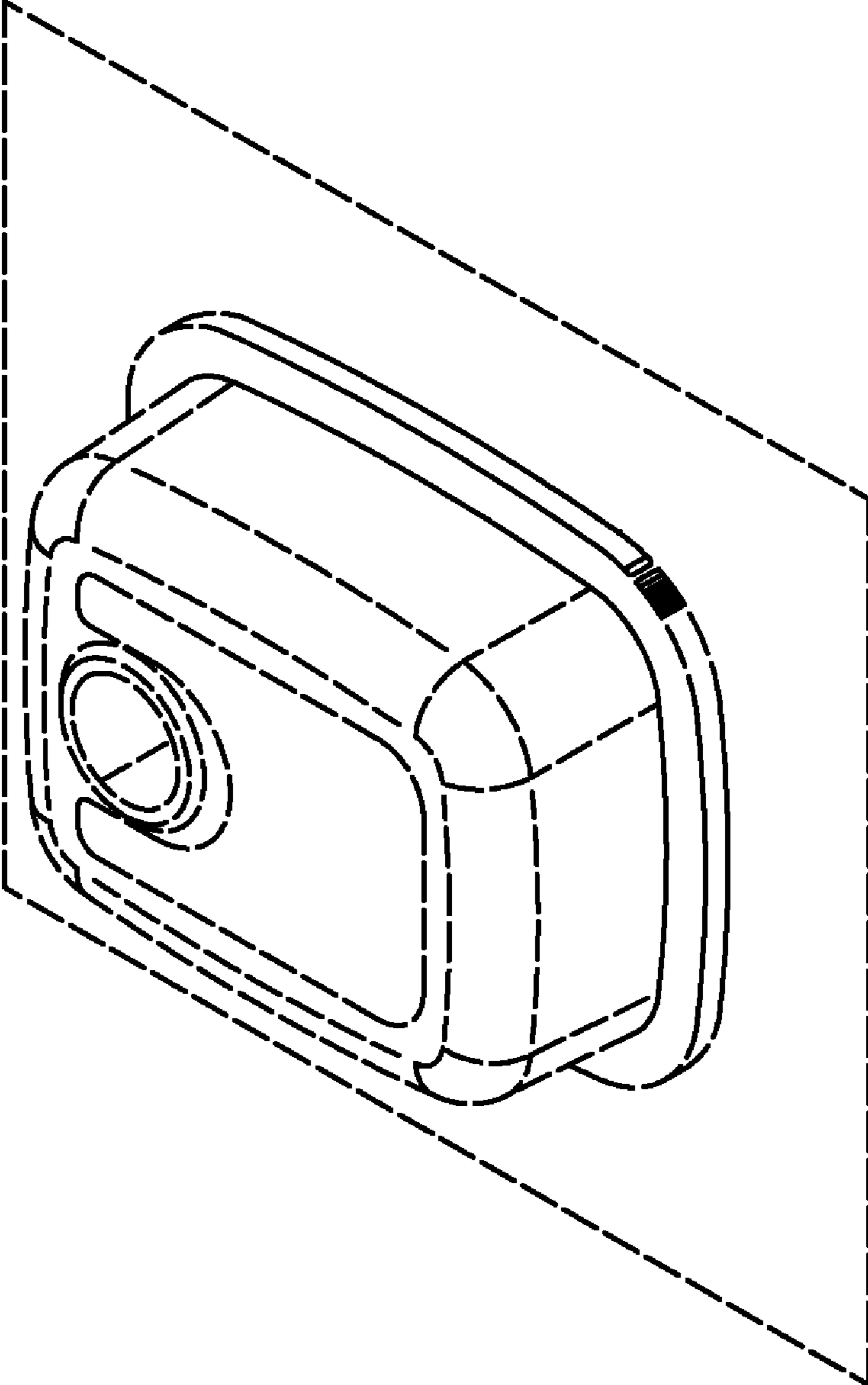


Fig. 3

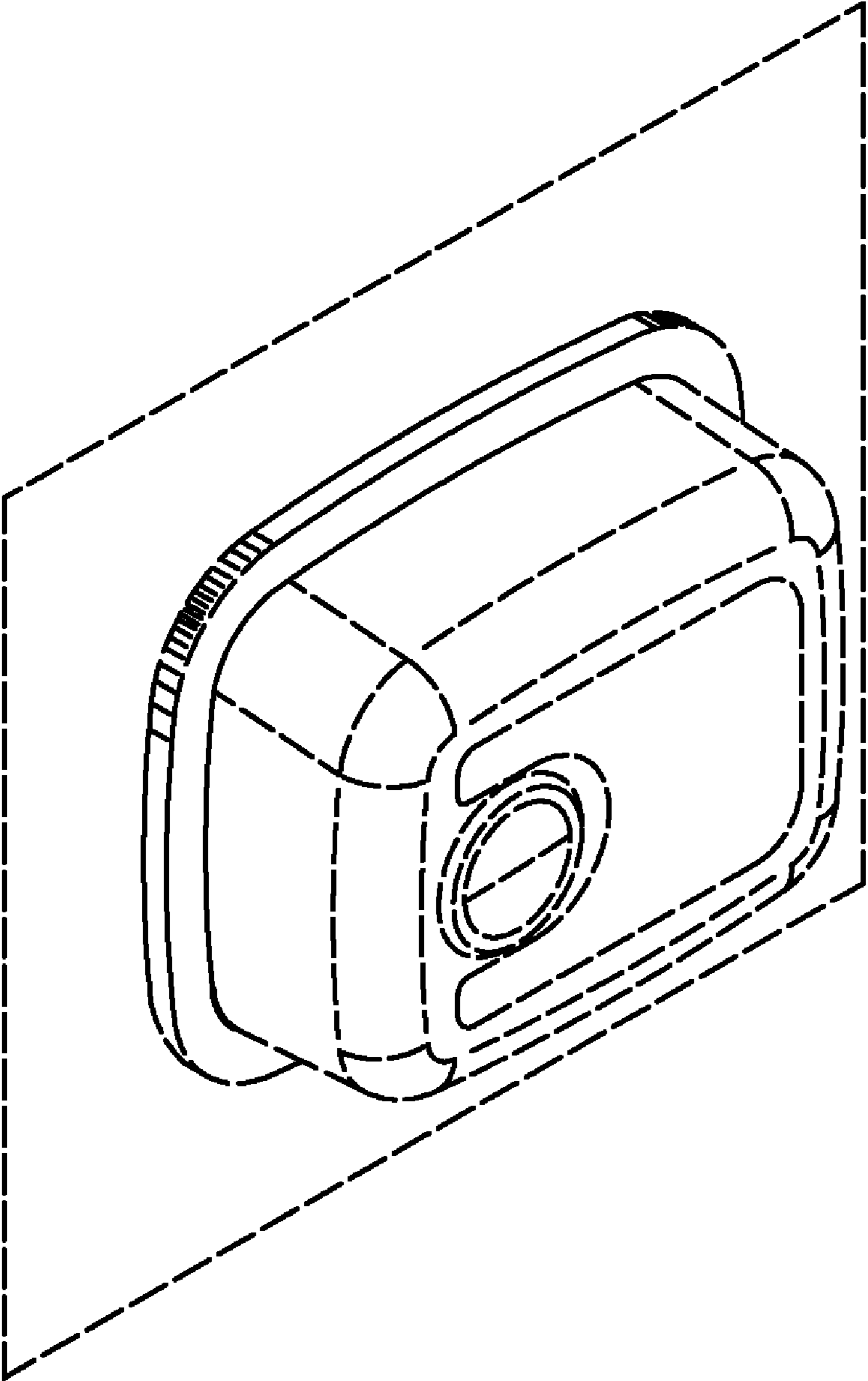


Fig. 4

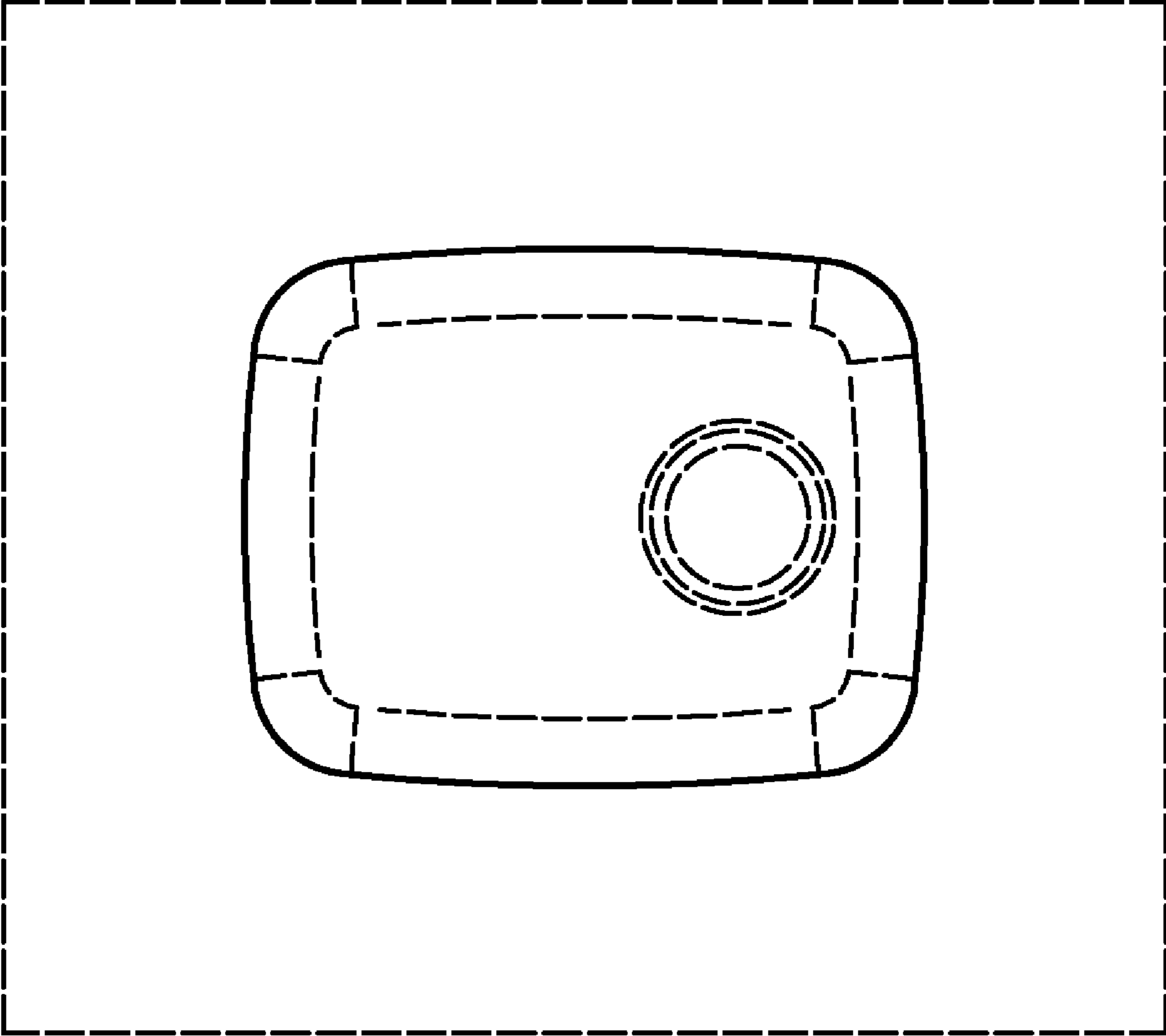


Fig. 5

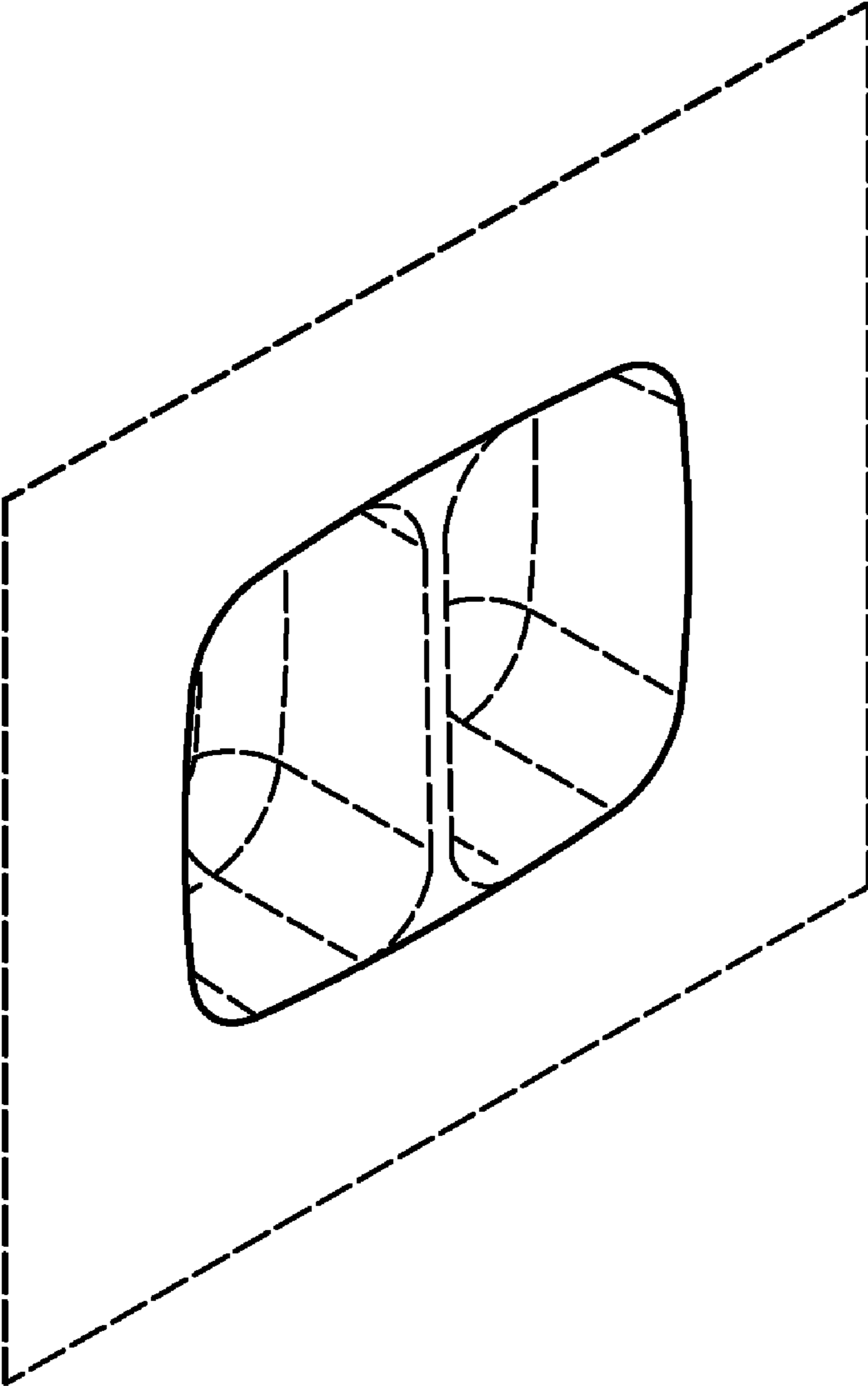


Fig. 6

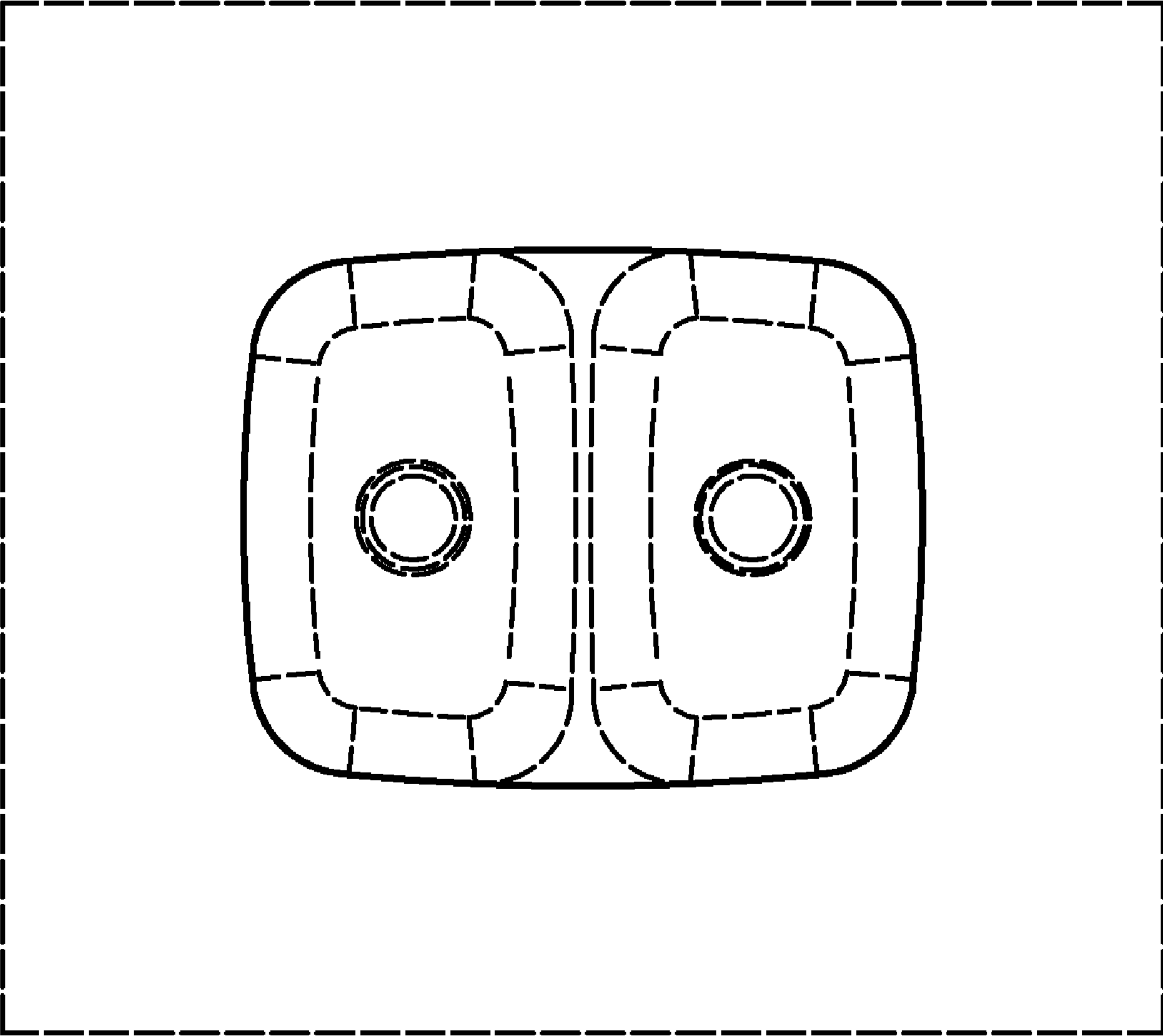


Fig. 7

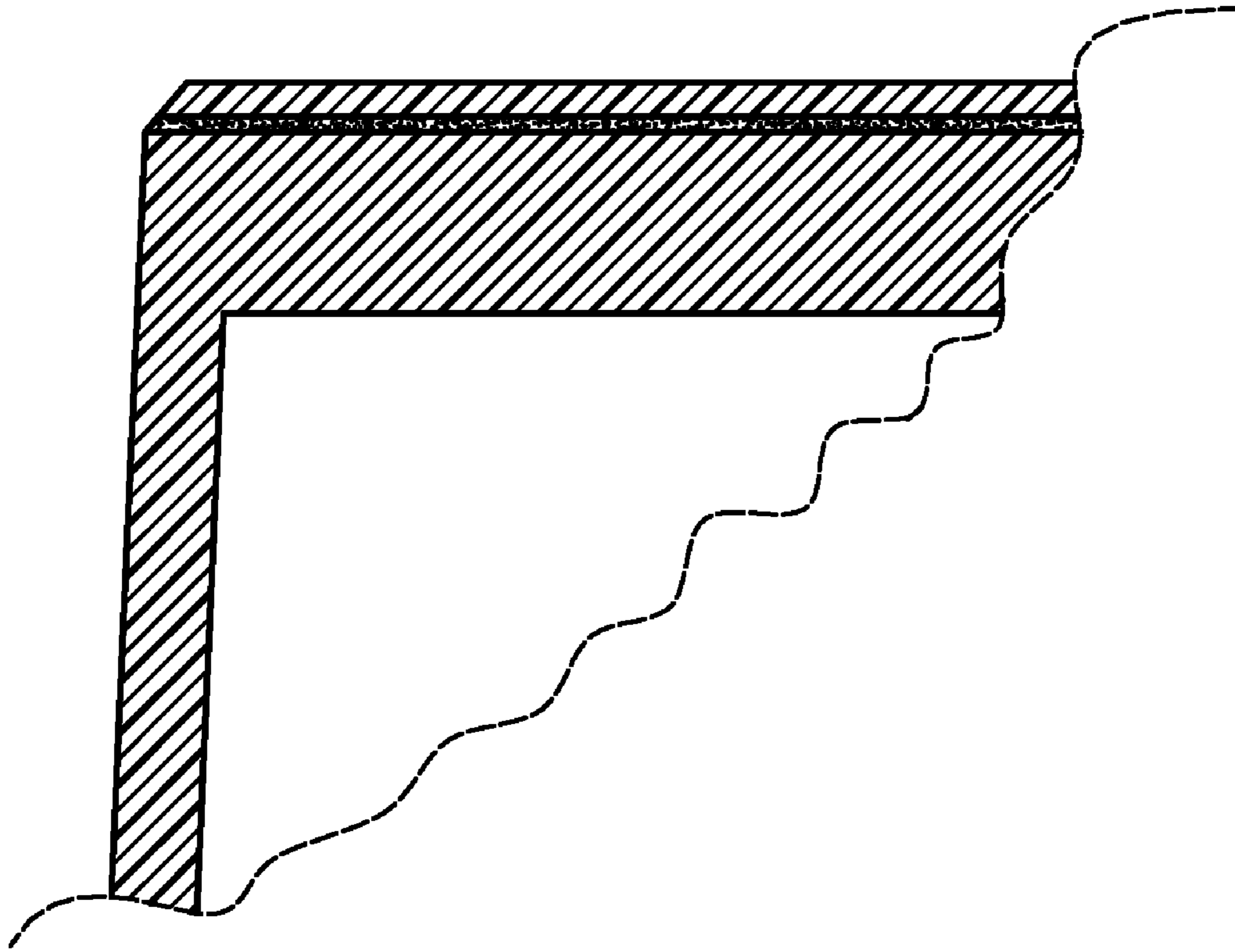


Fig. 8