



US00D625783S

(12) **United States Design Patent**
Madara

(10) **Patent No.:** **US D625,783 S**
(45) **Date of Patent:** **** Oct. 19, 2010**

(54) **GUSSET PIPE COUPLING**
(75) Inventor: **Scott D. Madara**, Nazareth, PA (US)
(73) Assignee: **Victaulic Company**, Easton, PA (US)
(**) Term: **14 Years**
(21) Appl. No.: **29/360,980**
(22) Filed: **May 4, 2010**

(51) **LOC (9) Cl.** **23-01**
(52) **U.S. Cl.** **D23/262**
(58) **Field of Classification Search** D23/259-269;
285/11-12, 7, 177, 394-395, 307, 358, 179-183,
285/423, 356, 303, 337, 1, 53, 404, 112,
285/367, 373, 915; 403/300, 291
See application file for complete search history.

(56) **References Cited**

U.S. PATENT DOCUMENTS

872,659	A *	12/1907	Lord	277/623
2,861,822	A *	11/1958	Risley et al.	285/348
D208,388	S *	8/1967	Graham	D23/265
3,352,579	A *	11/1967	Hoke	277/621
4,183,560	A *	1/1980	Wyss	285/232
D513,793	S *	1/2006	Copeland et al.	D23/262
D515,673	S *	2/2006	Copeland et al.	D23/262
D593,642	S *	6/2009	Copeland et al.	D23/266
D600,784	S	9/2009	Henry et al.	D23/262
D602,127	S	10/2009	Shah et al.	D23/262
D605,734	S	12/2009	Henry et al.	D23/262
D605,735	S	12/2009	Shah et al.	D23/262
D607,548	S *	1/2010	Shah et al.	D23/262
D607,549	S *	1/2010	Shah et al.	D23/262
D607,550	S *	1/2010	Shah et al.	D23/262

D608,865	S	1/2010	Henry et al.	D23/262
D608,866	S	1/2010	Henry et al.	D23/262
D608,867	S	1/2010	Henry et al.	D23/262
D612,461	S	3/2010	Henry et al.	D23/262
D612,462	S	3/2010	Shah et al.	D23/262
D612,463	S	3/2010	Shah et al.	D23/262
D613,377	S	4/2010	Shah et al.	D23/262
D614,269	S	4/2010	Henry et al.	D23/262
D616,072	S	5/2010	Henry et al.	D23/262

OTHER PUBLICATIONS

U.S. Appl. No. 29/360,976, filed May 4, 2010.

* cited by examiner

Primary Examiner—T. Chase Nelson

Assistant Examiner—Eric L Goodman

(74) *Attorney, Agent, or Firm*—Ballard Spahr LLP

(57) **CLAIM**

I claim the ornamental design for a gusset pipe coupling, as shown and described.

DESCRIPTION

FIG. 1 is an isometric view of our design for a gusset pipe coupling;

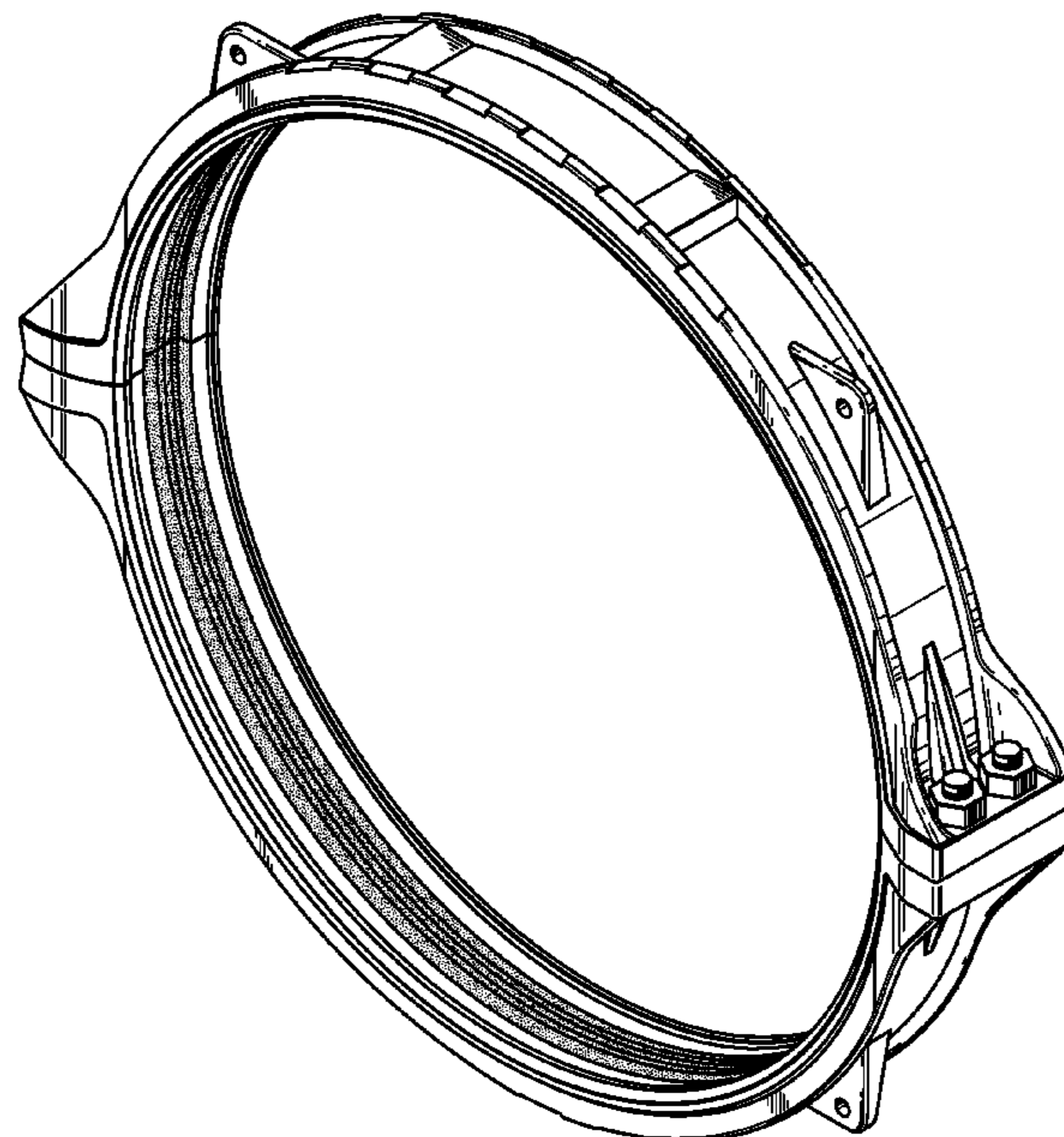
FIG. 2 is a front view of the design for a gusset pipe coupling shown in FIG. 1, the rear view being identical;

FIG. 3 is a top view of the design for a gusset pipe coupling shown in FIG. 1;

FIG. 4 is a bottom view of the design for a gusset pipe coupling shown in FIG. 1; and,

FIG. 5 is a left side view of the design for a gusset pipe coupling shown in FIG. 1, the right side view being identical.

1 Claim, 3 Drawing Sheets



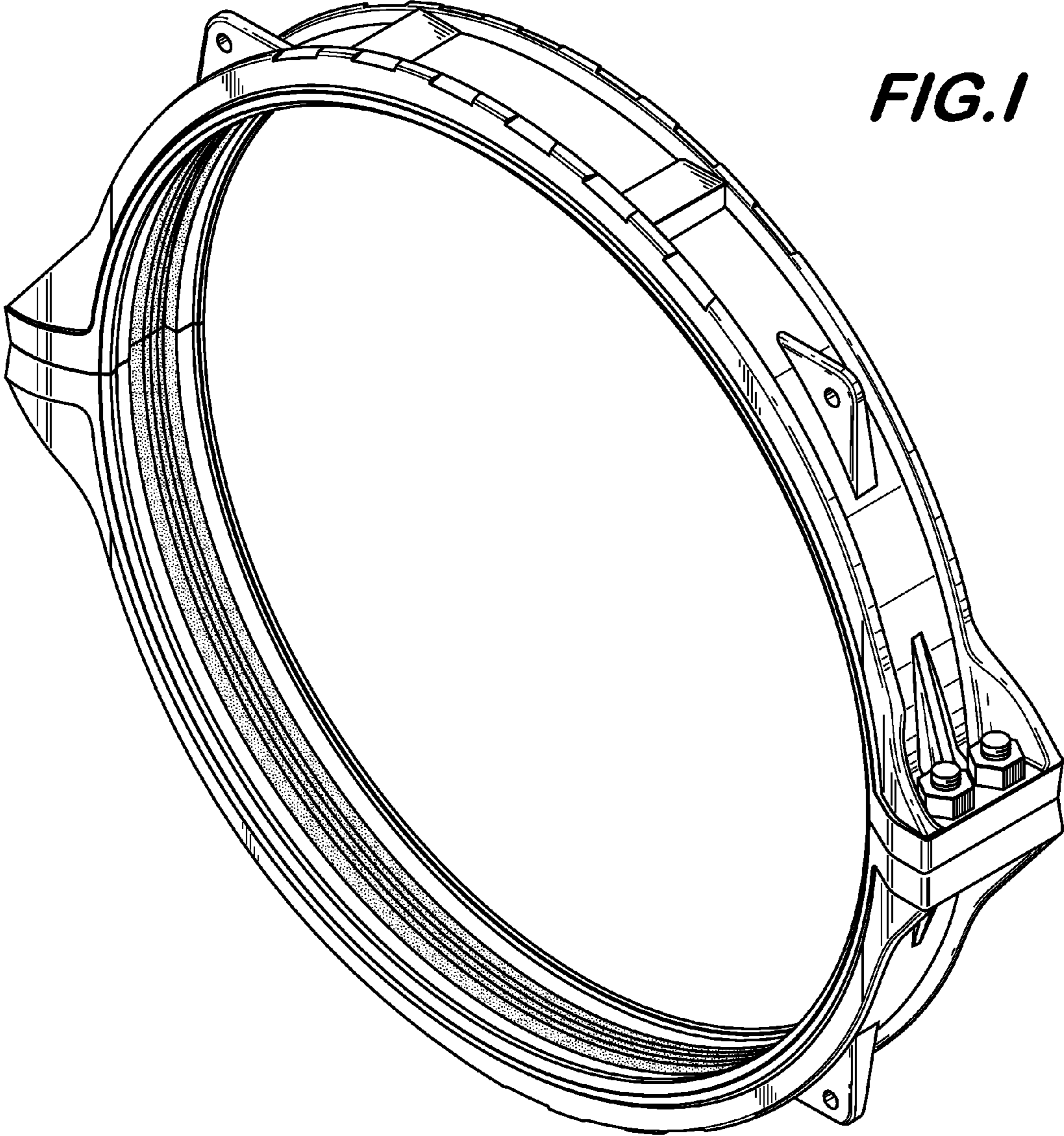


FIG. 1

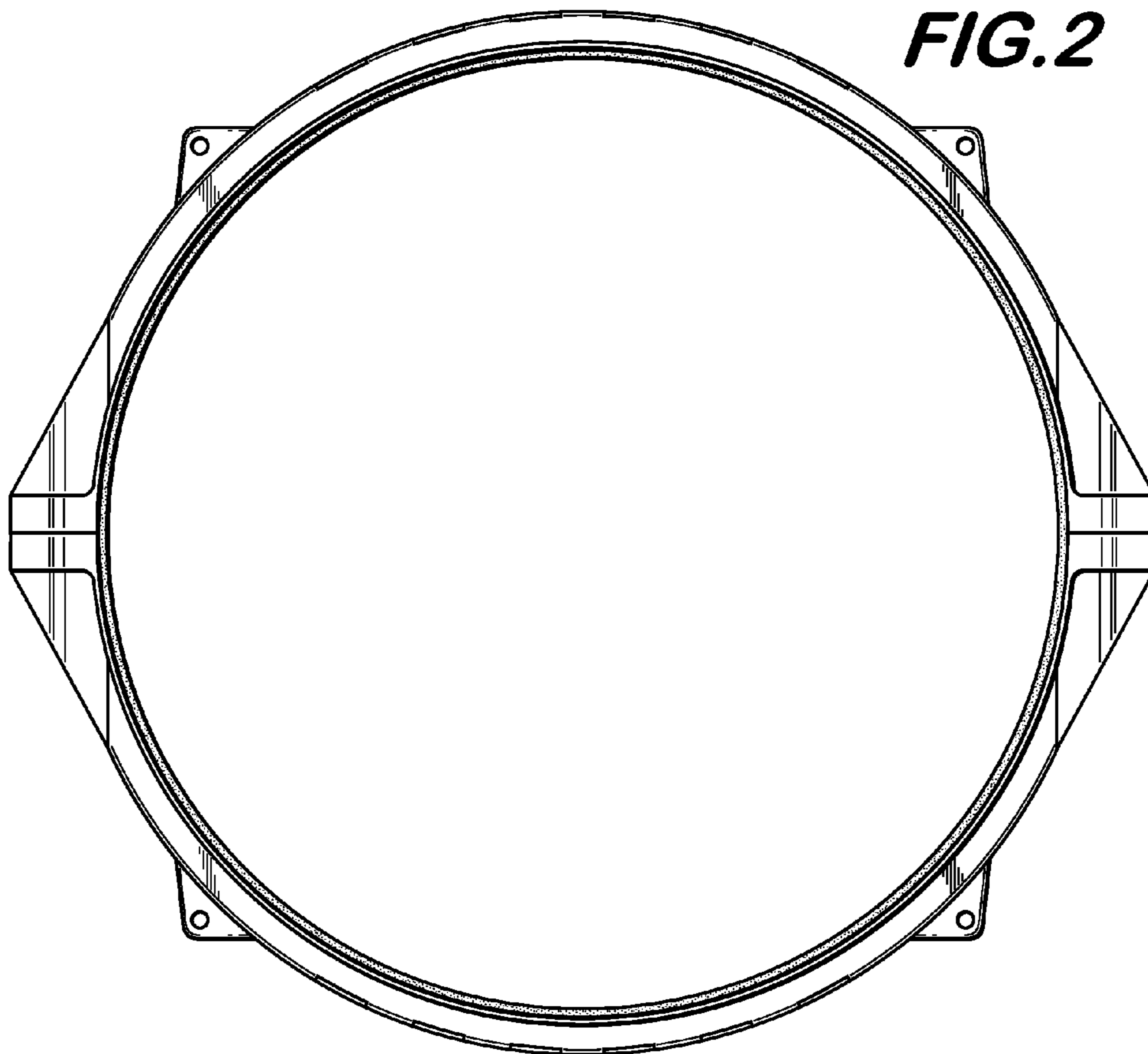


FIG. 3

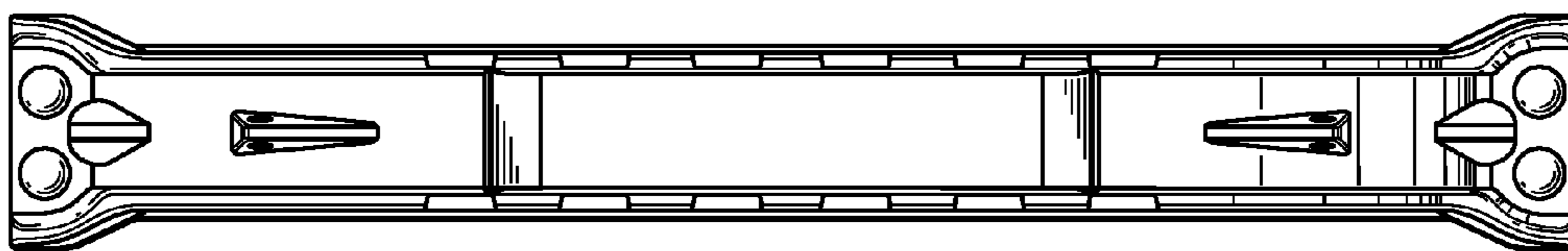
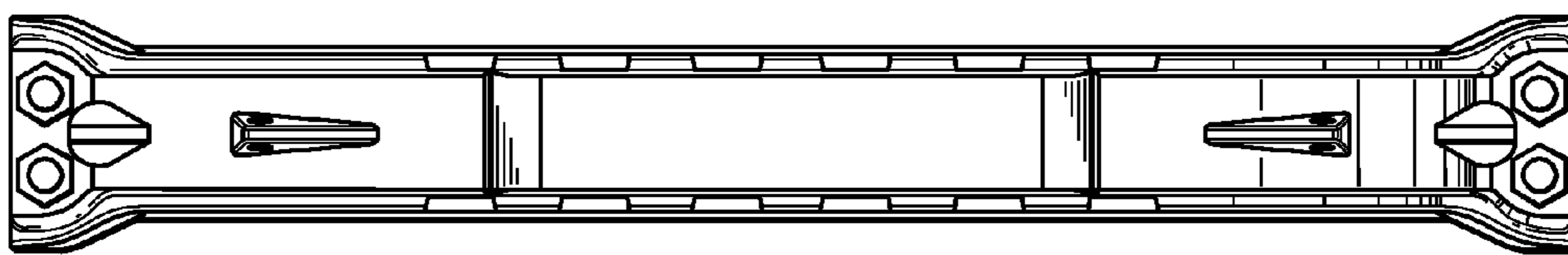


FIG. 4

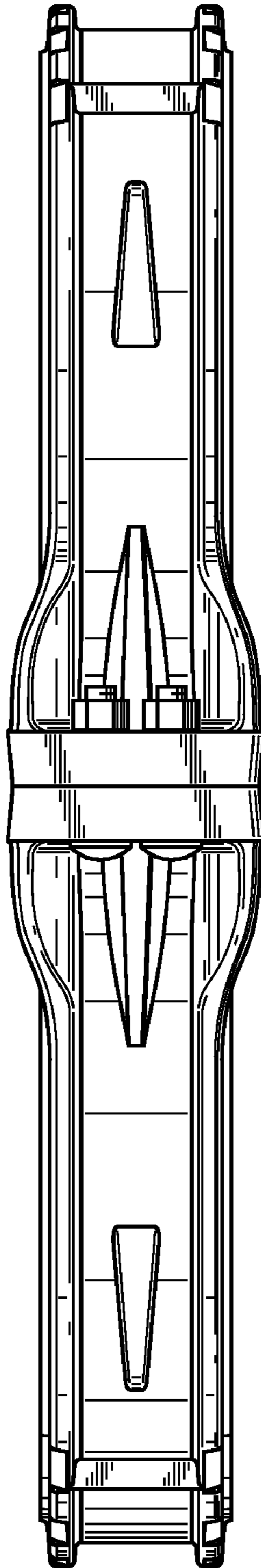


FIG. 5