



US00D625782S

(12) **United States Design Patent**  
**Lewis**

(10) **Patent No.:** **US D625,782 S**

(45) **Date of Patent:** **\*\* Oct. 19, 2010**

(54) **PROTECTIVE CAP FOR FITTINGS**

(76) Inventor: **Michael Joe Lewis**, 2230 S. Prospect,  
Oklahoma City, OK (US) 73129

(\*\*) Term: **14 Years**

(21) Appl. No.: **29/360,018**

(22) Filed: **Apr. 19, 2010**

**Related U.S. Application Data**

(62) Division of application No. 29/281,060, filed on Jun.  
14, 2007, now Pat. No. Des. 614,266.

(51) **LOC (9) Cl.** ..... **23-01**

(52) **U.S. Cl.** ..... **D23/260**

(58) **Field of Classification Search** ..... D23/209,  
D23/260–266; 239/201, 458; 285/239, 458;  
40/316; 138/89, 109, 110, 119, 134, 135;  
210/488; 215/207, 222; D8/397; D24/232;  
D9/454

See application file for complete search history.

(56) **References Cited**

**U.S. PATENT DOCUMENTS**

2,118,073	A *	5/1938	Dittmeyer	.....	138/96 R
3,265,310	A *	8/1966	Cohen	.....	239/201
D253,082	S *	10/1979	Moncrief	.....	D7/400
4,185,665	A *	1/1980	Flimon	.....	138/89
4,777,985	A *	10/1988	Arduini et al.	.....	138/96 R
D373,622	S *	9/1996	Burden	.....	D23/200
D380,038	S *	6/1997	Bailey	.....	D23/266
D476,723	S *	7/2003	Houghton	.....	D23/260
D554,245	S *	10/2007	Geyer, III	.....	D23/365

D615,164 S \* 5/2010 Zeyfang ..... D23/260  
2005/0077262 A1 \* 4/2005 Bertani et al. .... 215/207

\* cited by examiner

*Primary Examiner*—Daniel D Bui

*Assistant Examiner*—Thomas J Johannes

(74) *Attorney, Agent, or Firm*—Baker & McKenzie LLP

(57) **CLAIM**

The ornamental design for a protective cap for fittings, as illustrated and described.

**DESCRIPTION**

FIG. 1 is a perspective top view of a first embodiment of a protective cap for fittings in accordance with my design;

FIG. 2 is a side view thereof; the opposite view being a mirror image thereof;

FIG. 3 is a top view;

FIG. 4 is a bottom view thereof;

FIG. 5 is a front view thereof;

FIG. 6 is a back view thereof;

FIG. 7 is a top perspective view of a second embodiment of a protective cap for fittings in accordance with my design;

FIG. 8 is a side view thereof; the opposite view being a mirror image thereof;

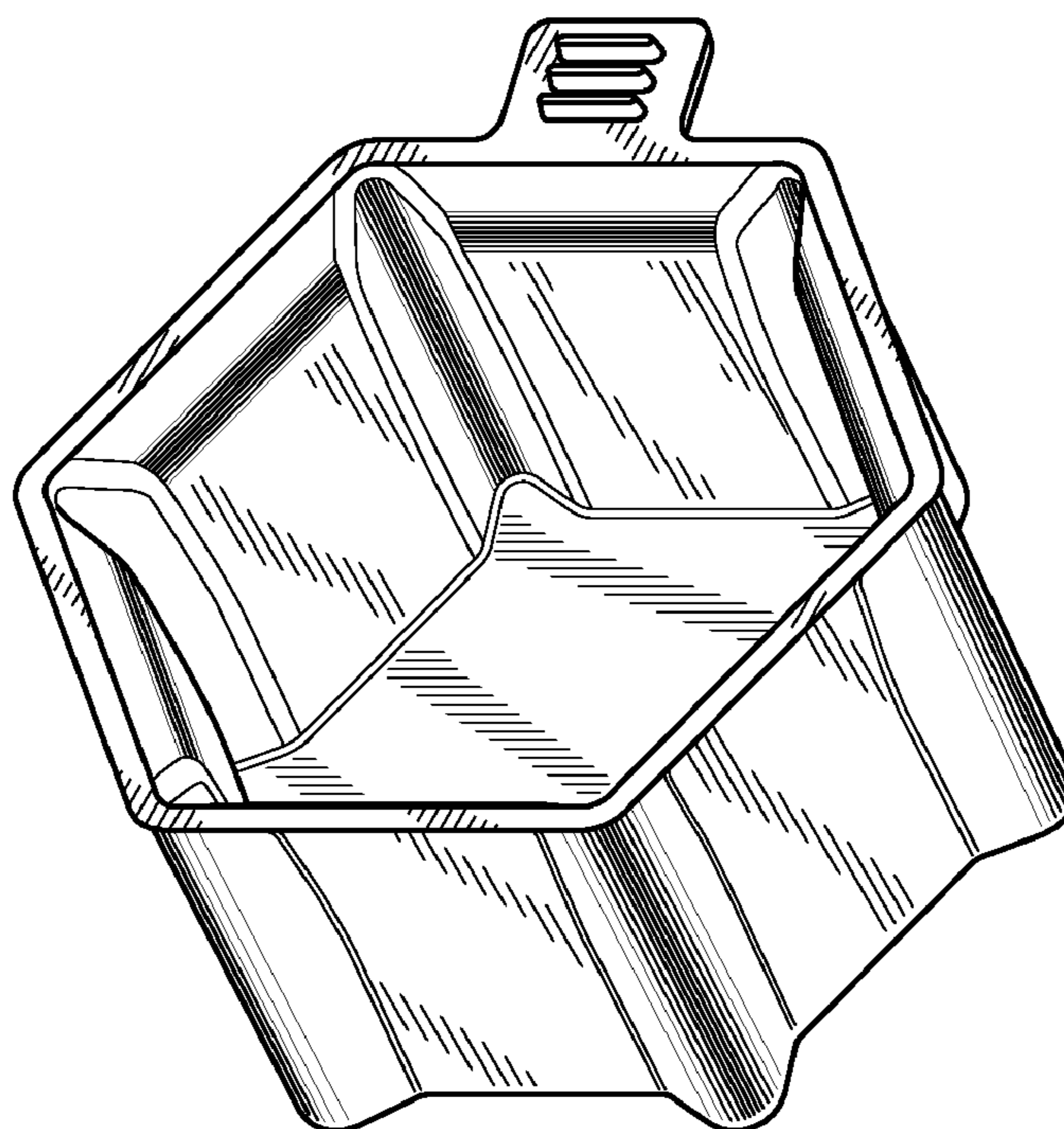
FIG. 9 is a top view;

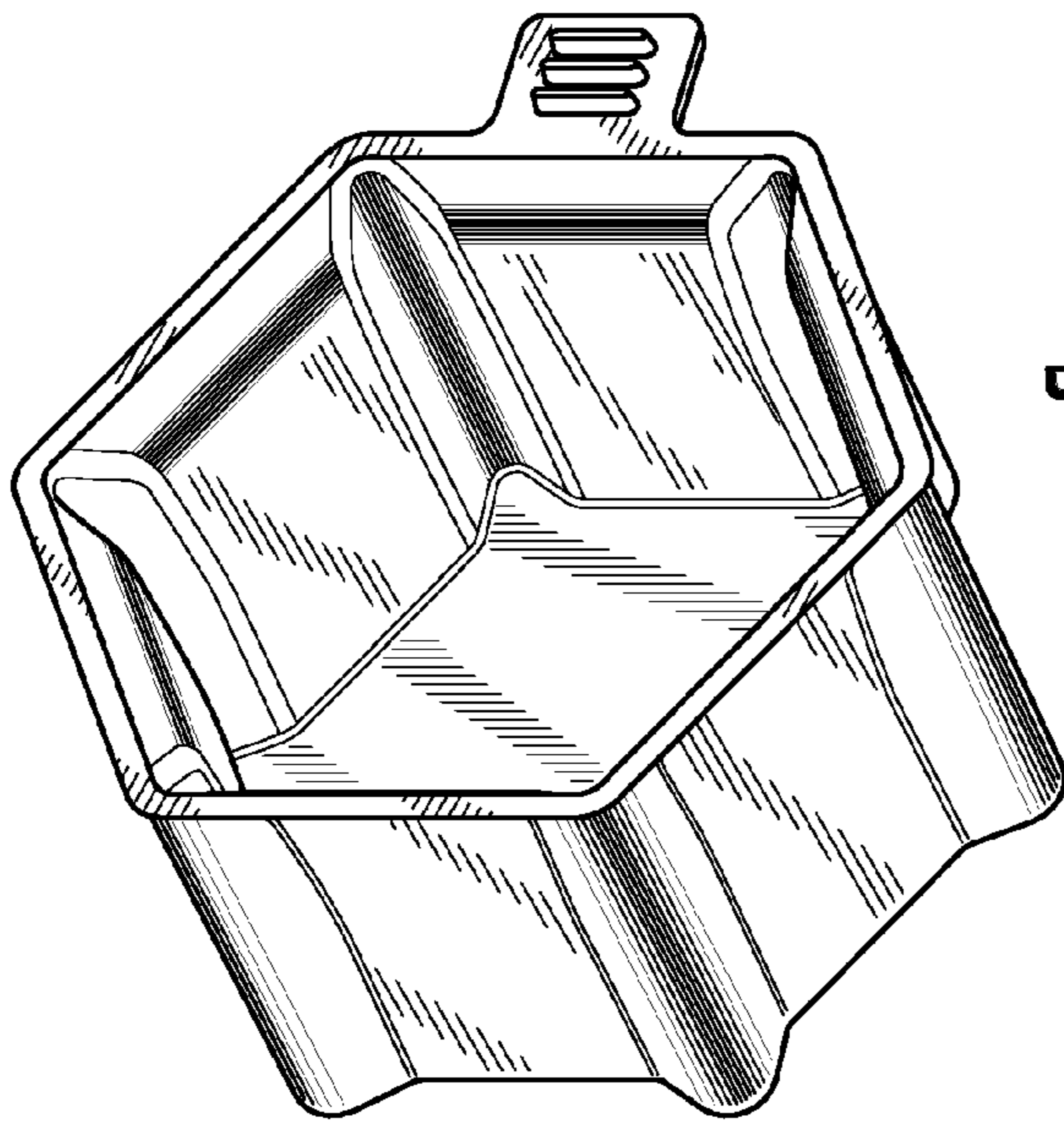
FIG. 10 is a bottom view thereof;

FIG. 11 is a front view thereof; and,

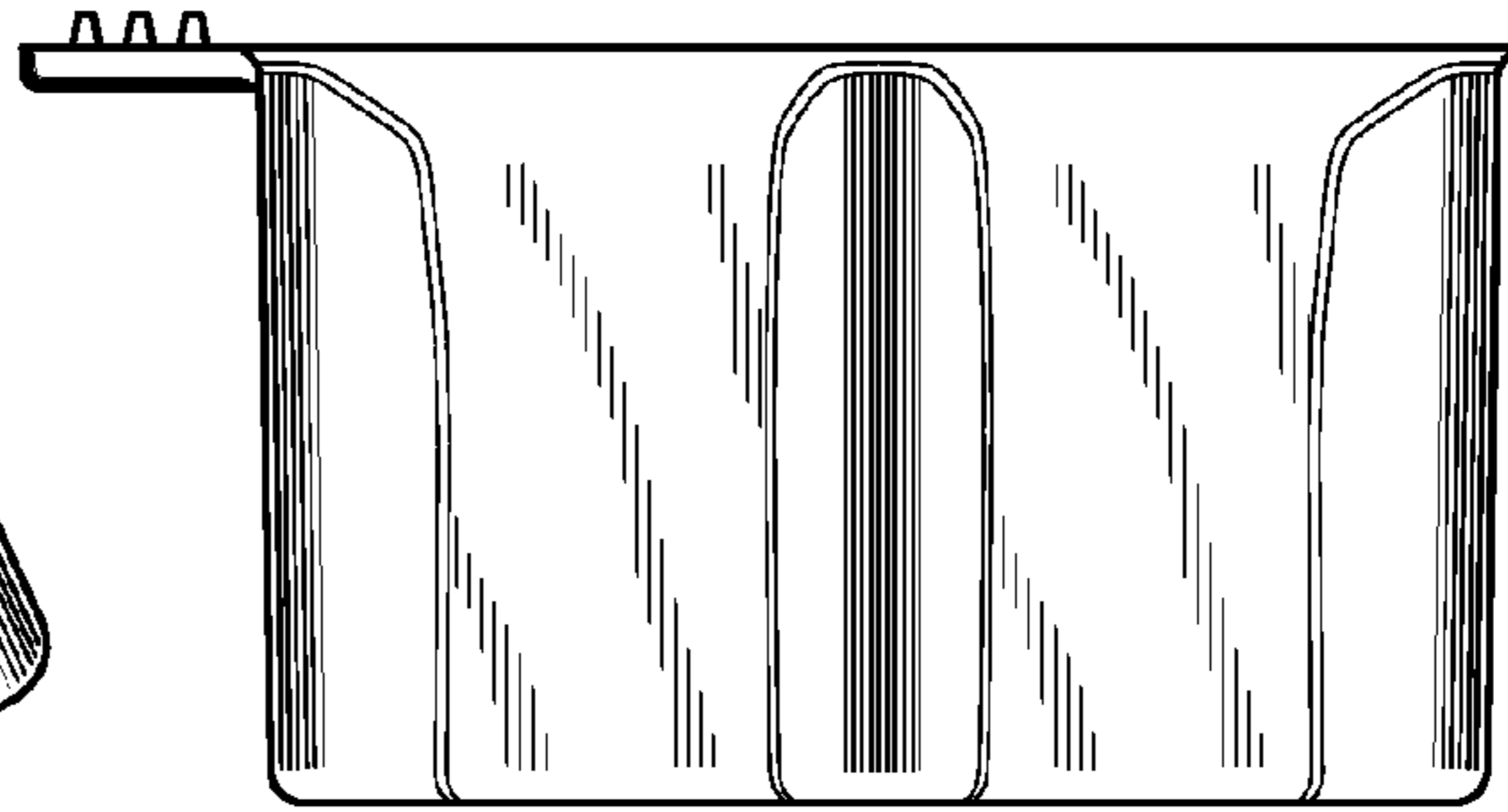
FIG. 12 is a back view thereof.

**1 Claim, 2 Drawing Sheets**

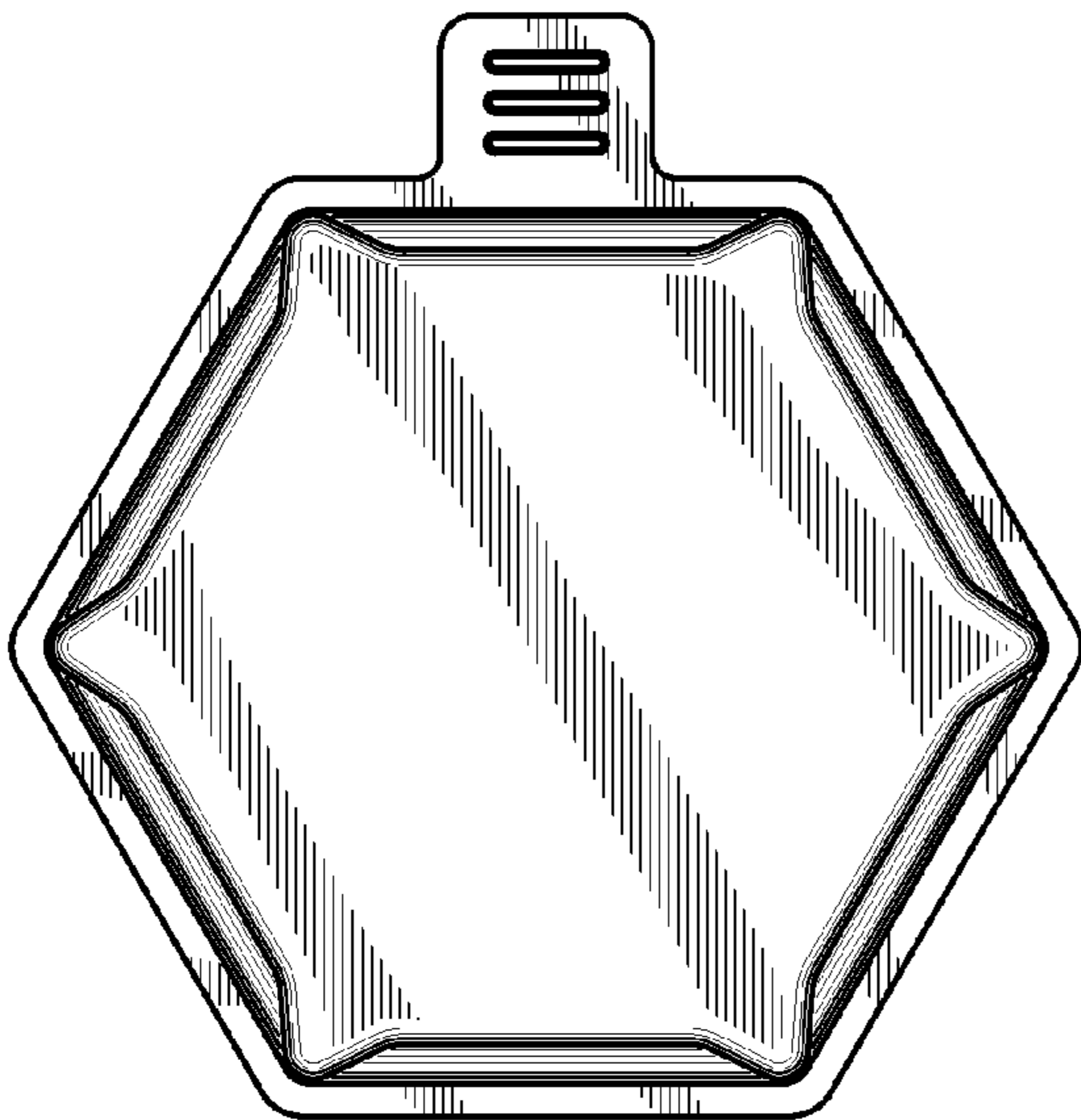




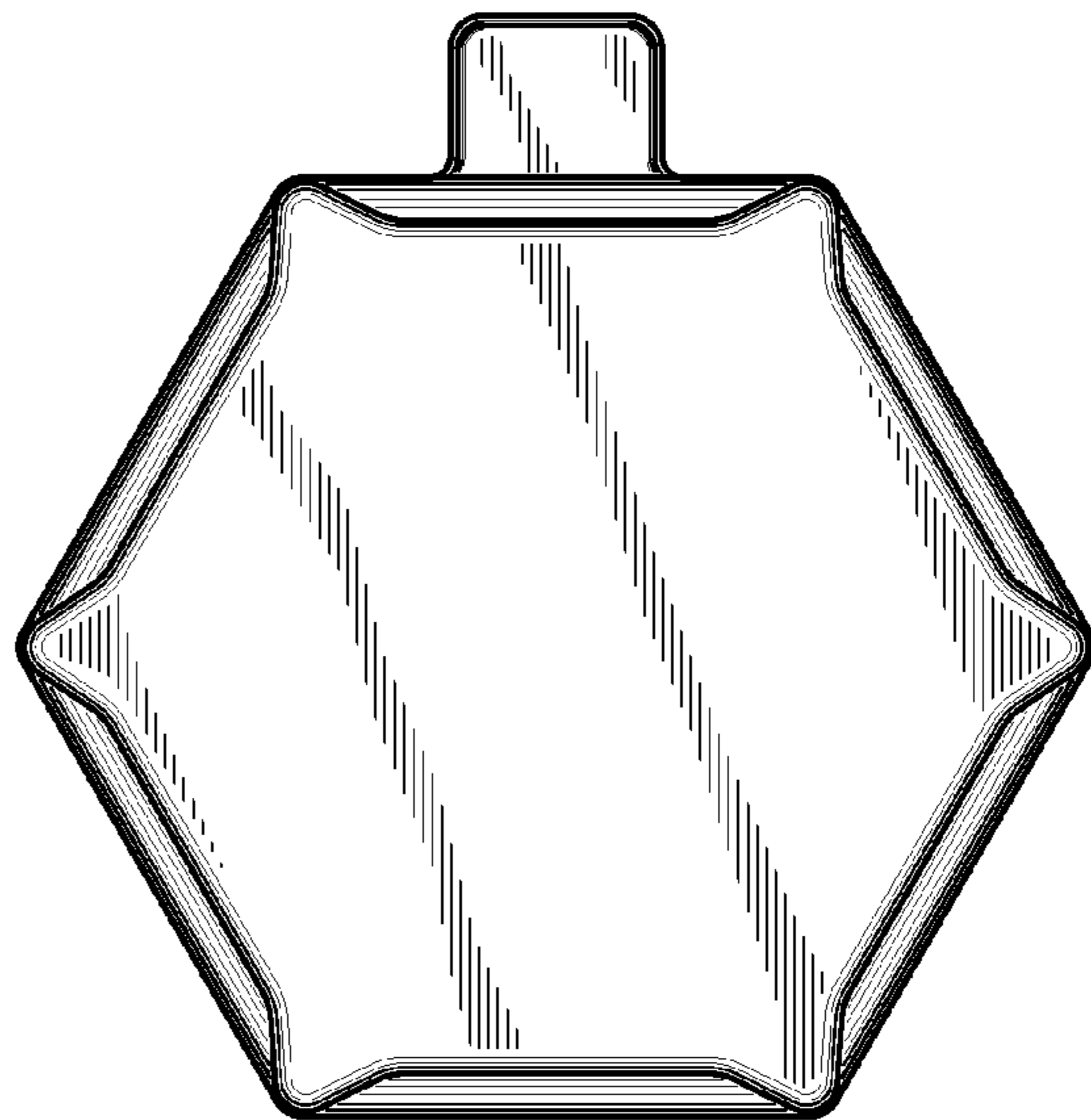
*Fig.1*



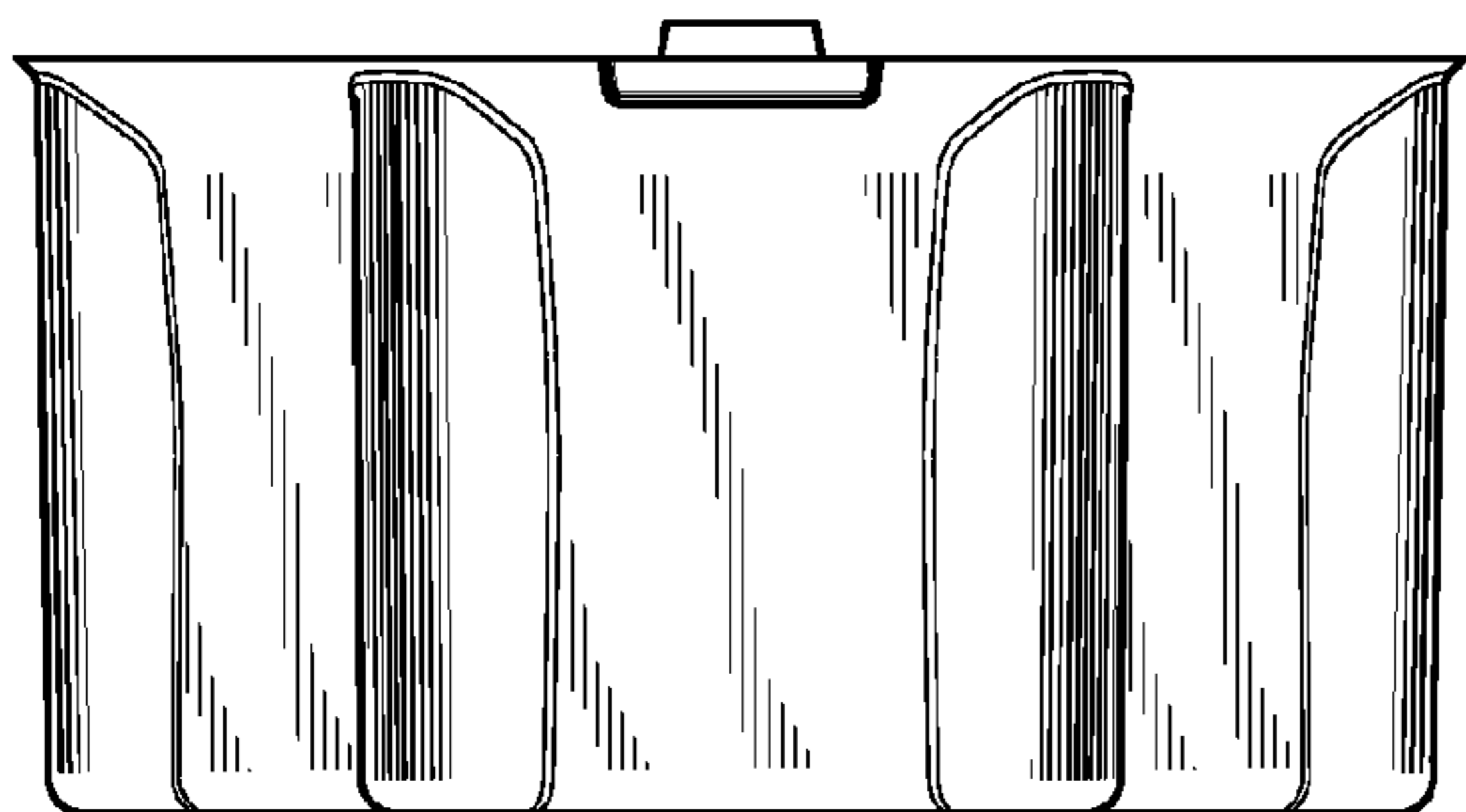
*Fig.2*



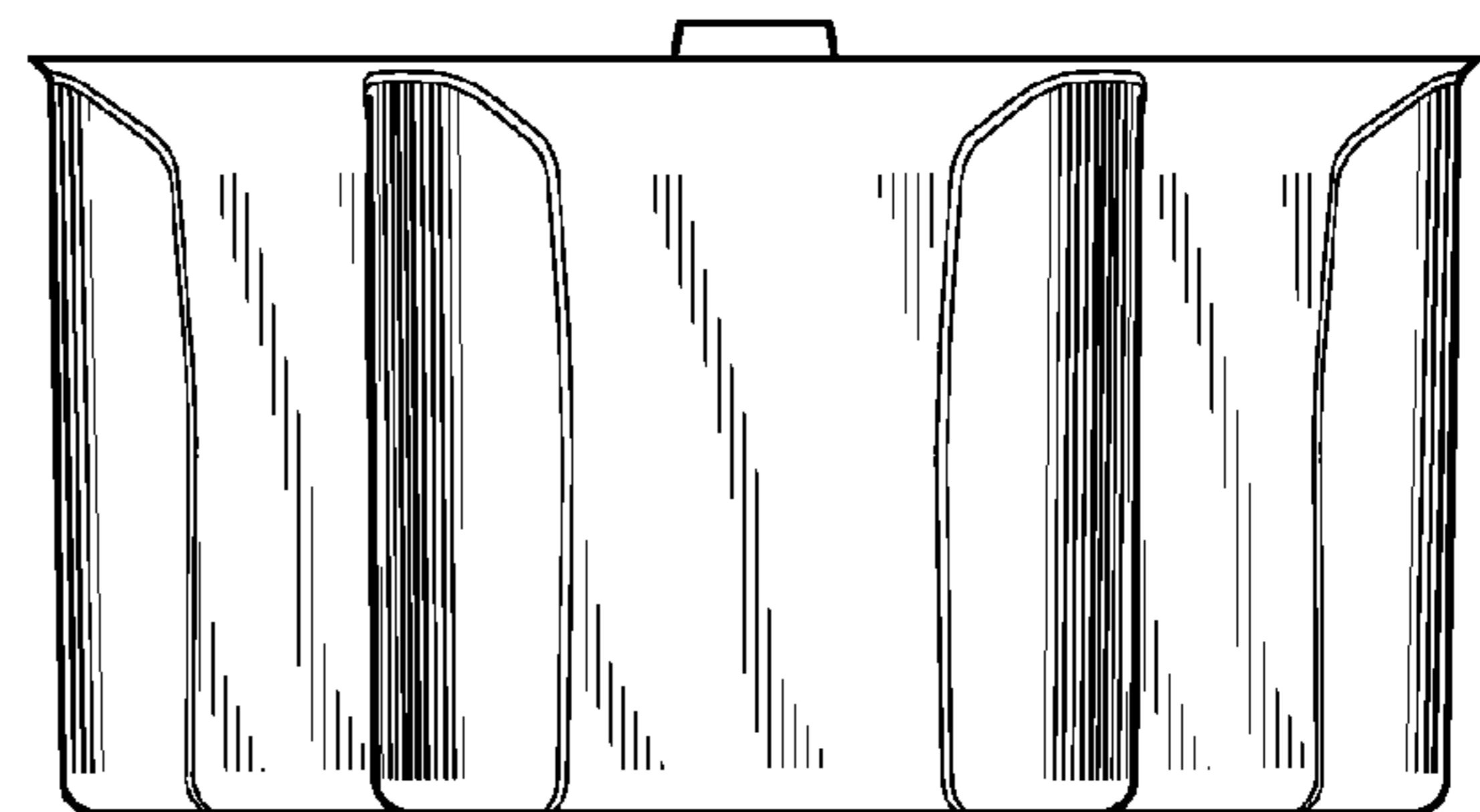
*Fig.3*



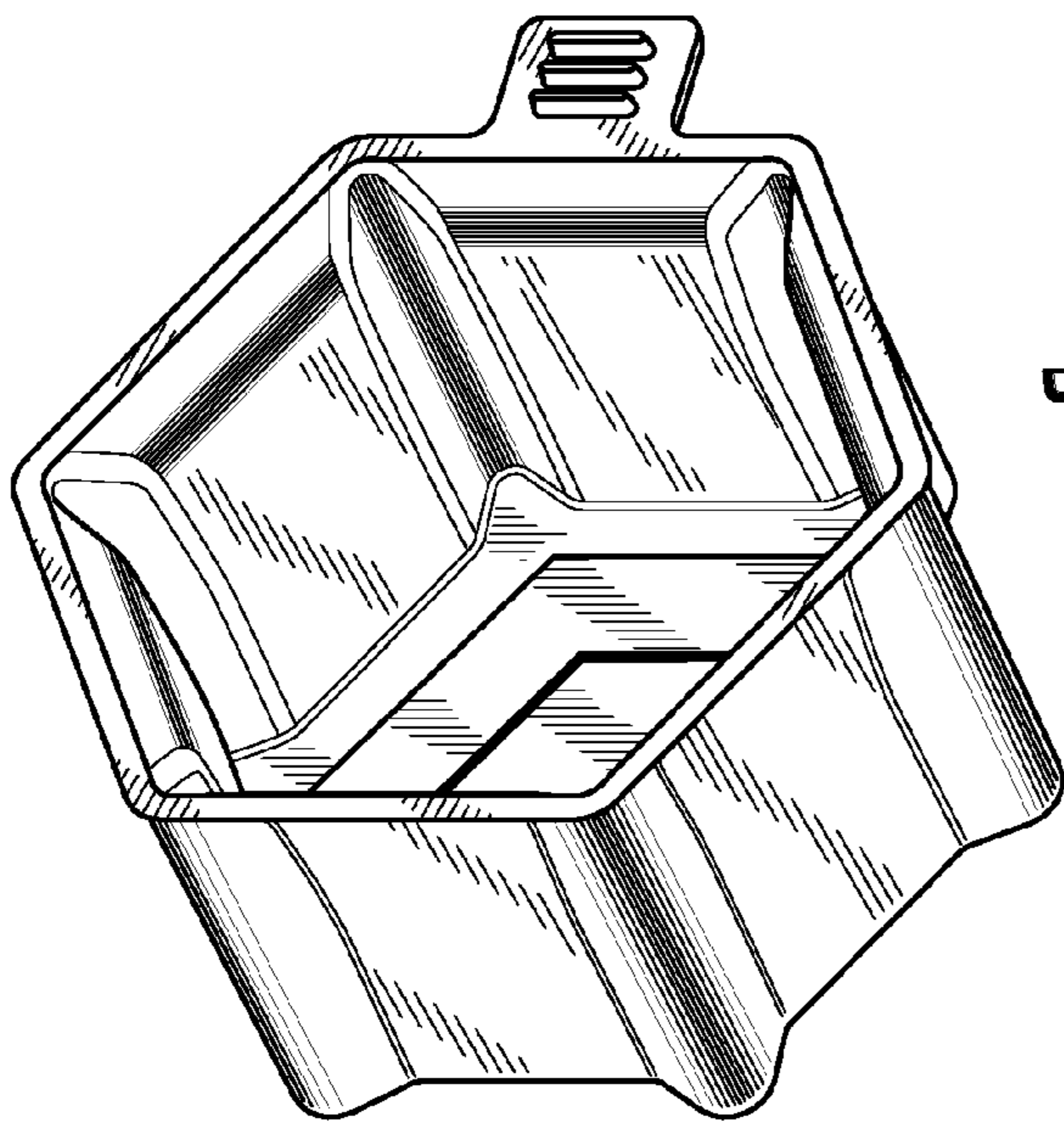
*Fig.4*



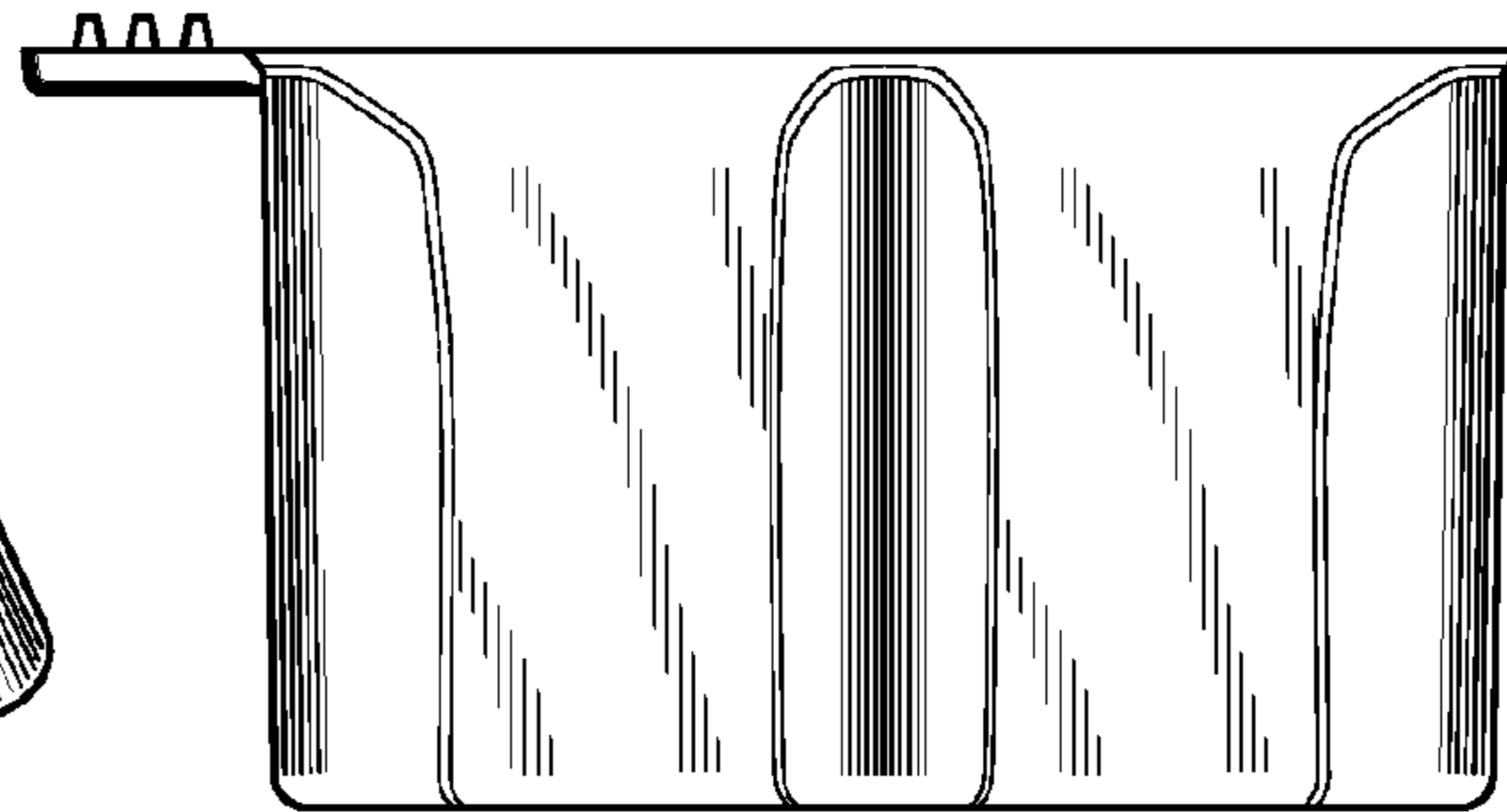
*Fig.5*



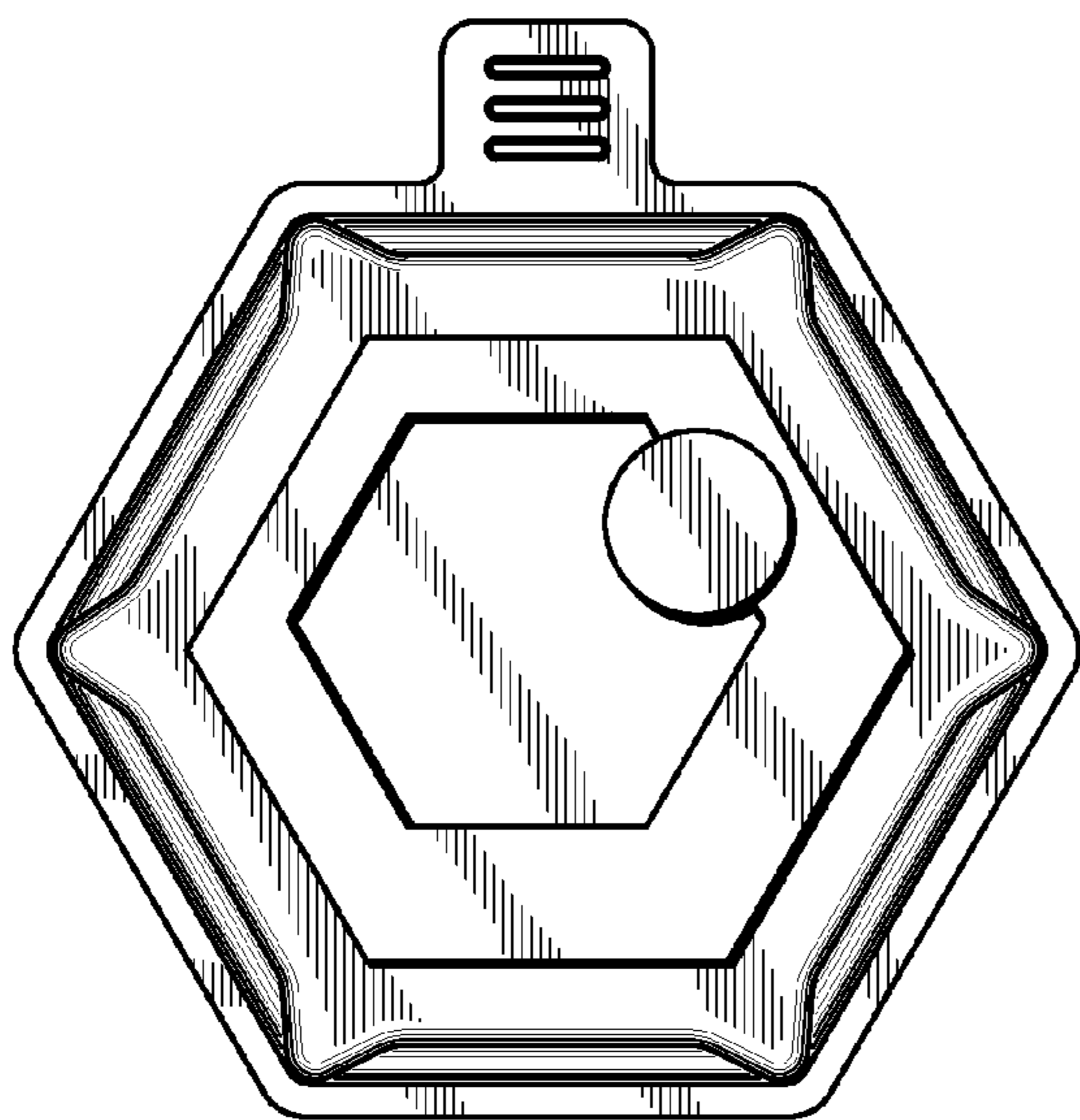
*Fig.6*



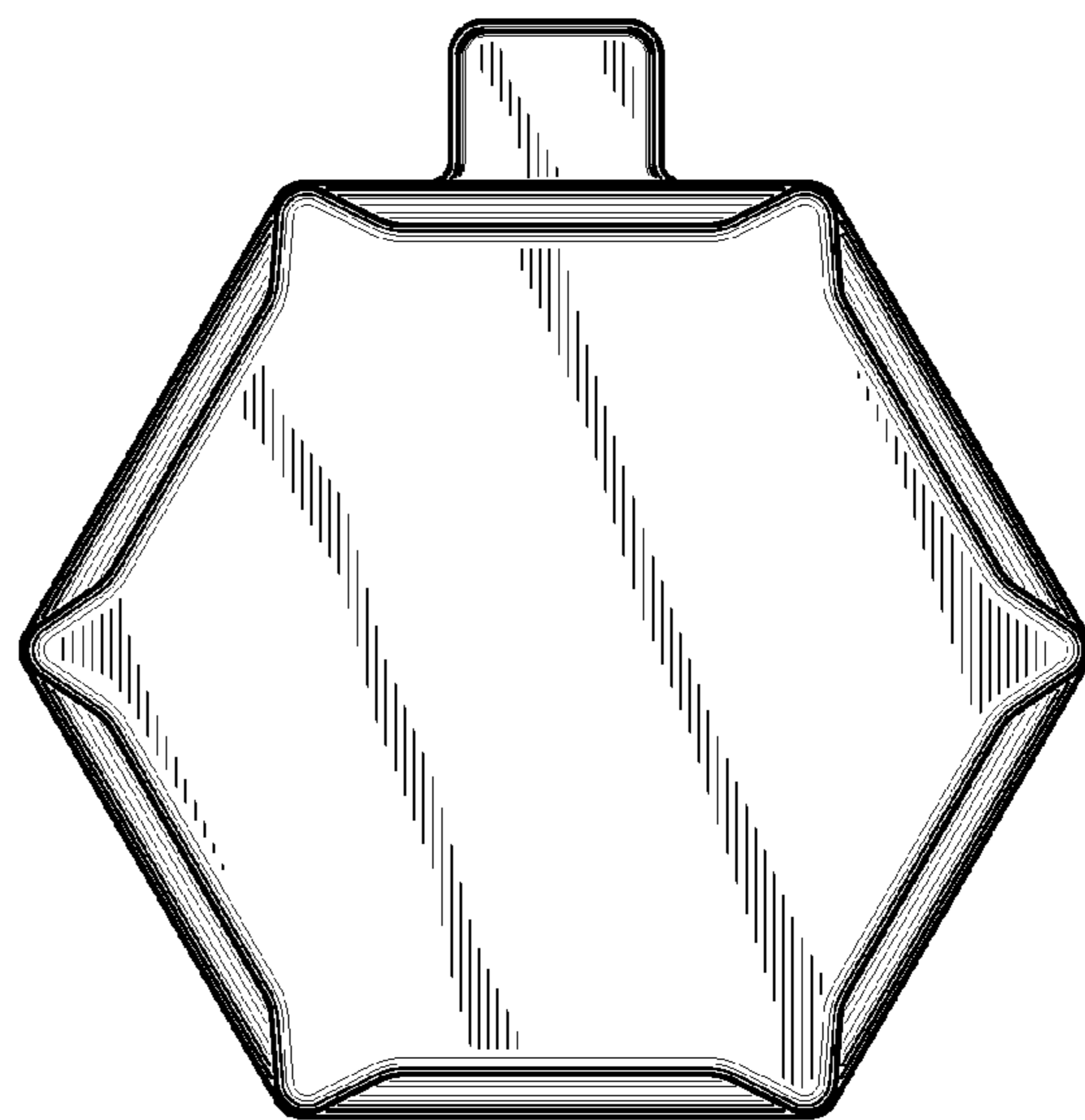
*Fig.7*



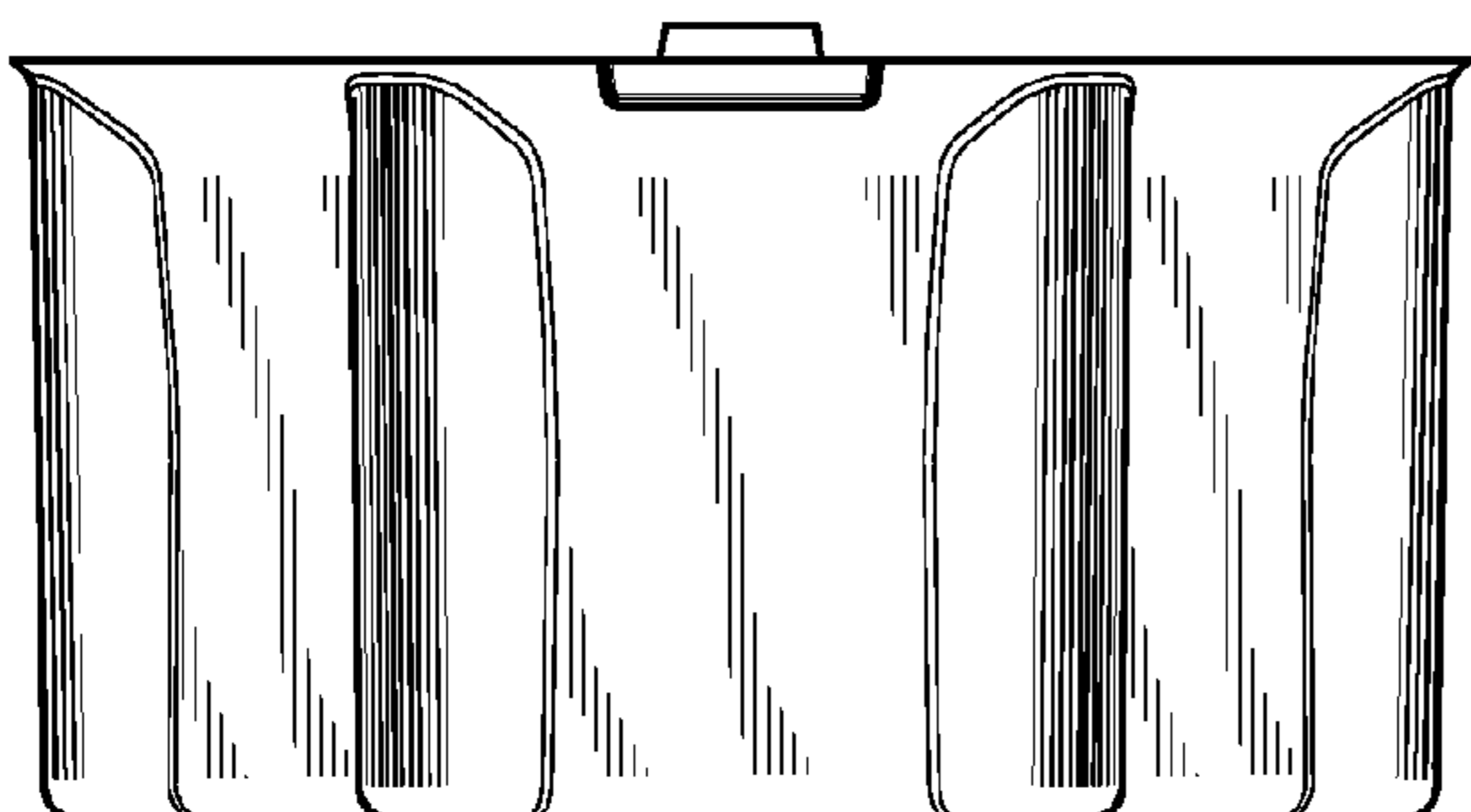
*Fig.8*



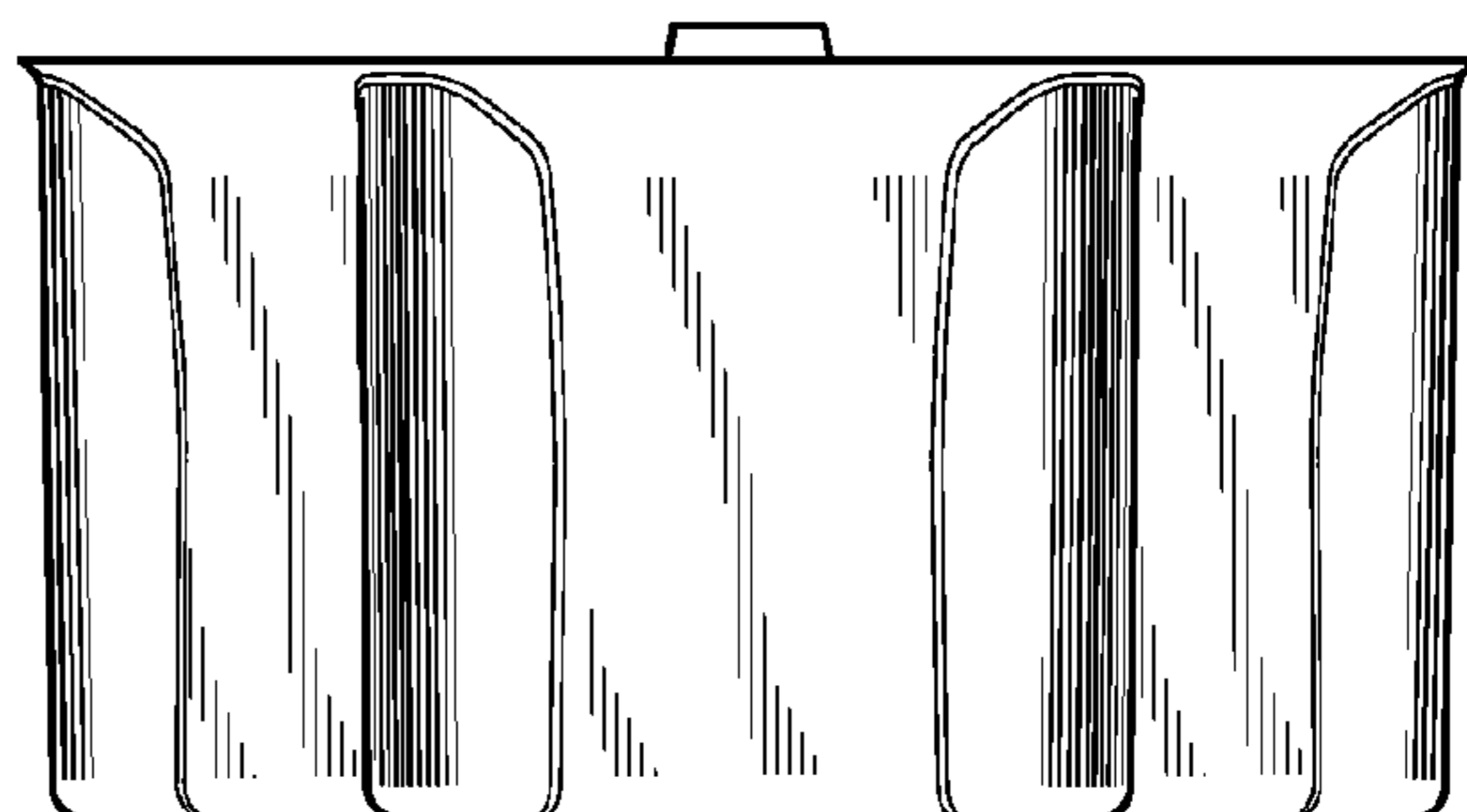
*Fig.9*



*Fig.10*



*Fig.11*



*Fig.12*