



US00D625780S

(12) **United States Design Patent**
Soriano

(10) **Patent No.:** **US D625,780 S**

(45) **Date of Patent:** **** Oct. 19, 2010**

(54) **ADJUSTABLE FAUCET BODY**

(75) Inventor: **Bryan Soriano**, Baldwin Park, CA (US)

(73) Assignee: **Newfrey LLC**, Newark, DE (US)

(**) Term: **14 Years**

(21) Appl. No.: **29/360,638**

(22) Filed: **Apr. 29, 2010**

(51) **LOC (9) Cl.** **23-02**

(52) **U.S. Cl.** **D23/255**

(58) **Field of Classification Search** D23/238,
D23/241-243, 250, 252, 255, 257; 4/675-678;
137/801

See application file for complete search history.

(56) **References Cited**

U.S. PATENT DOCUMENTS

D557,380 S	*	12/2007	Shieh	D23/238
D567,909 S	*	4/2008	Schönherr et al.	D23/238
D573,228 S	*	7/2008	Hsieh	D23/238
D580,017 S	*	11/2008	Yegyayan et al.	D23/238

* cited by examiner

Primary Examiner—Robert A Delehanty

(74) *Attorney, Agent, or Firm*—Richard J. Veltman; John D. DelPonti

(57) **CLAIM**

The ornamental design for an adjustable faucet body, as shown and described.

DESCRIPTION

FIG. 1 is a perspective view of an adjustable faucet body showing a new design;

FIG. 2 is a front view thereof;

FIG. 3 is a back view thereof;

FIG. 4 is a top view thereof;

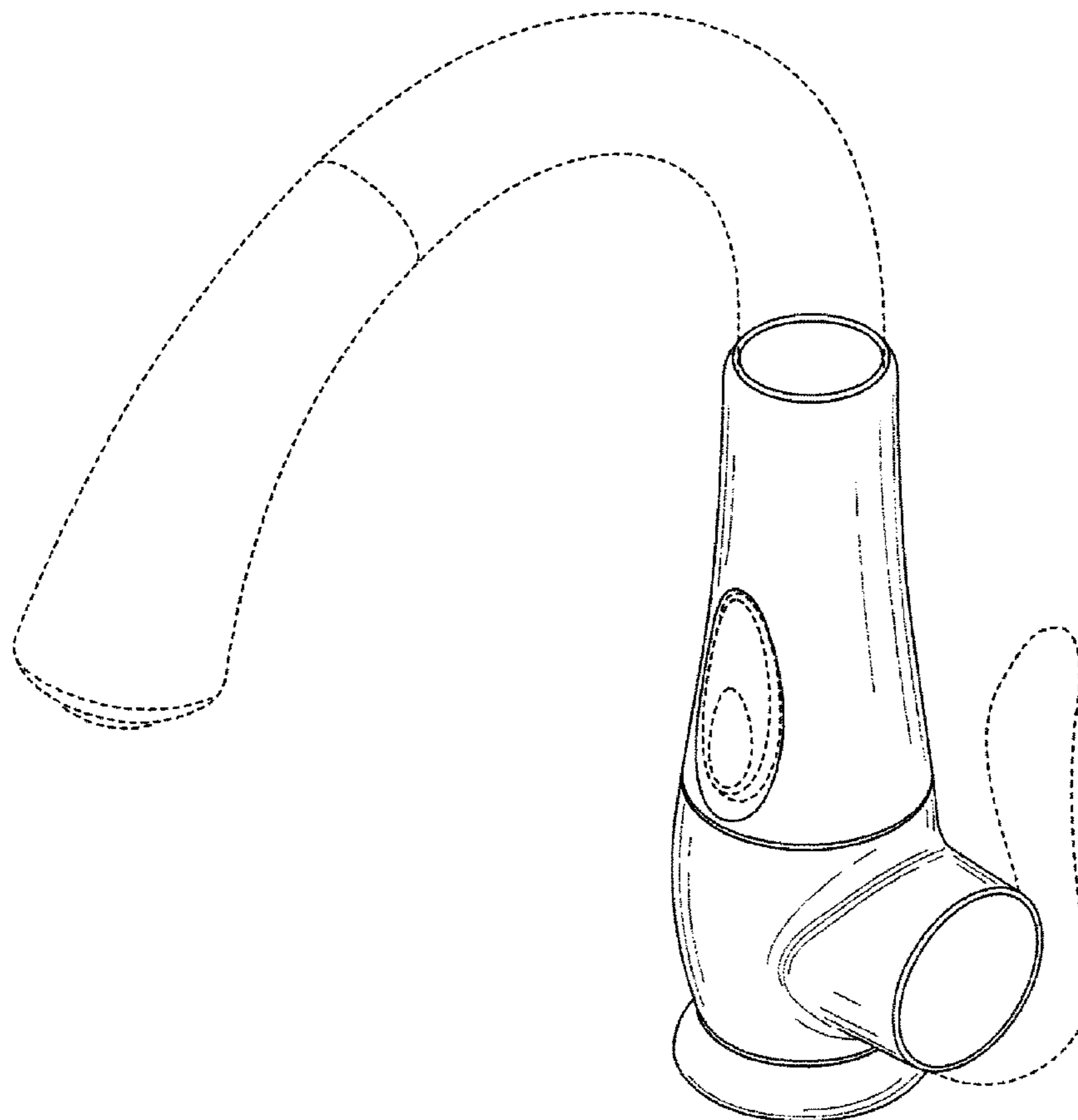
FIG. 5 is a bottom view thereof;

FIG. 6 is a right side view thereof; and,

FIG. 7 is a left side view being a mirror image.

The broken lines are for illustration purposes only and are not part of the claimed invention.

1 Claim, 7 Drawing Sheets



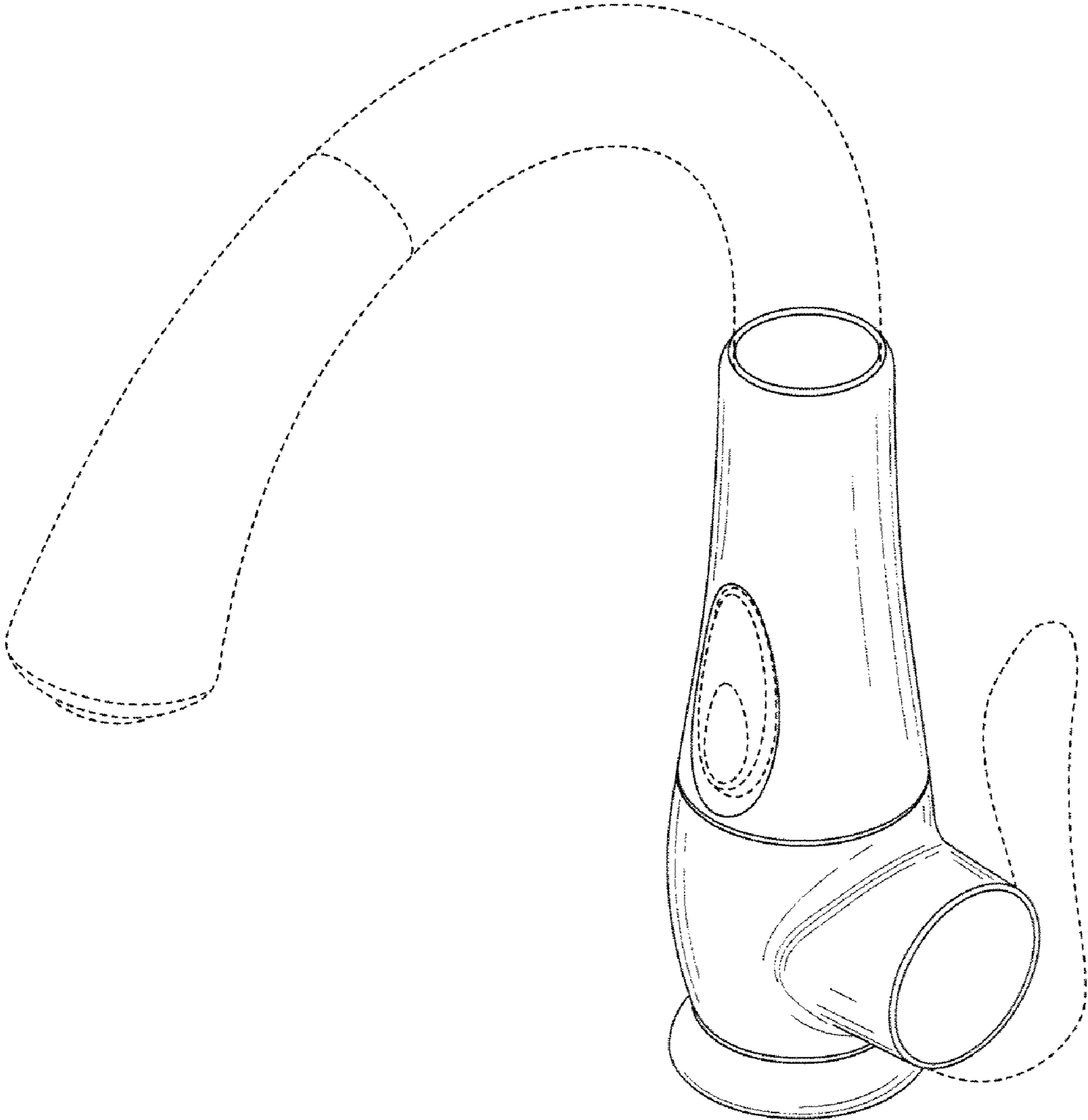


FIG. 1

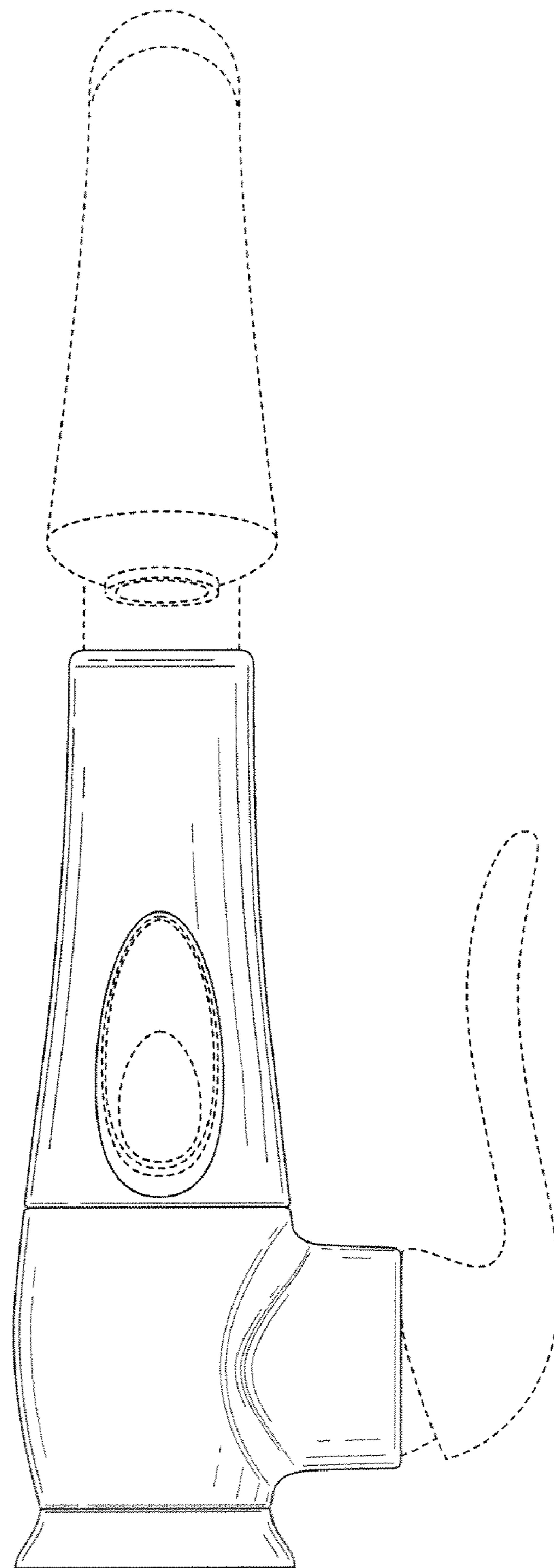


FIG. 2

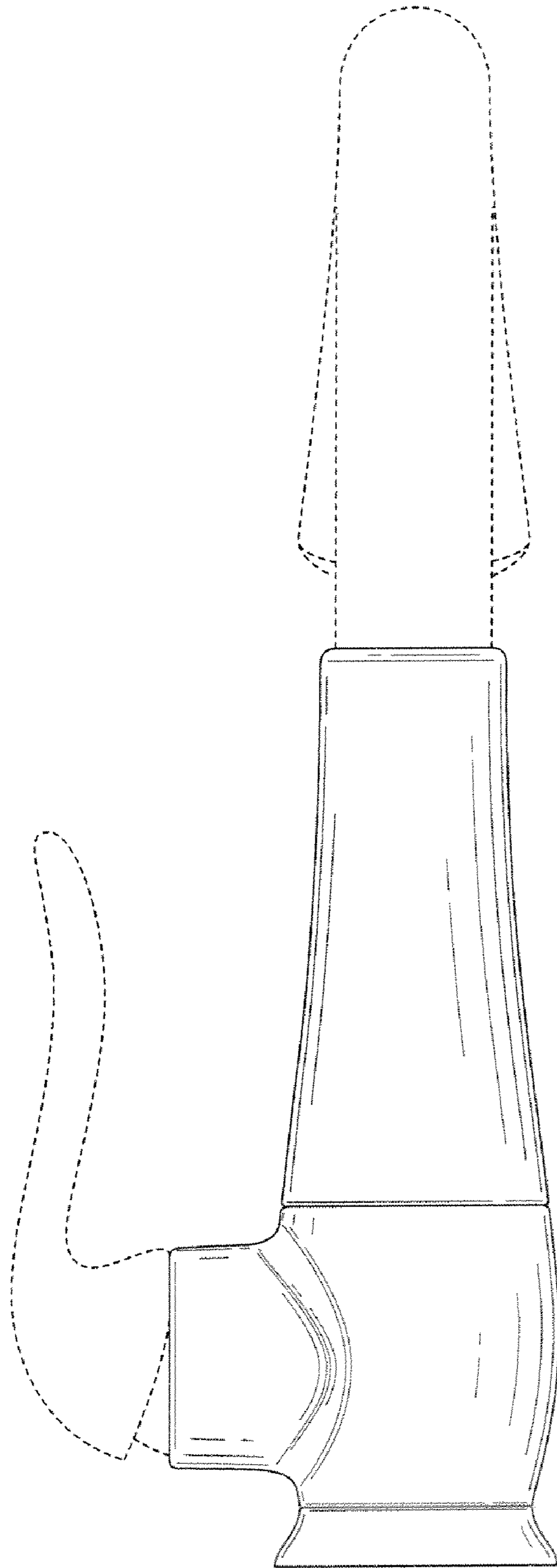


FIG. 3

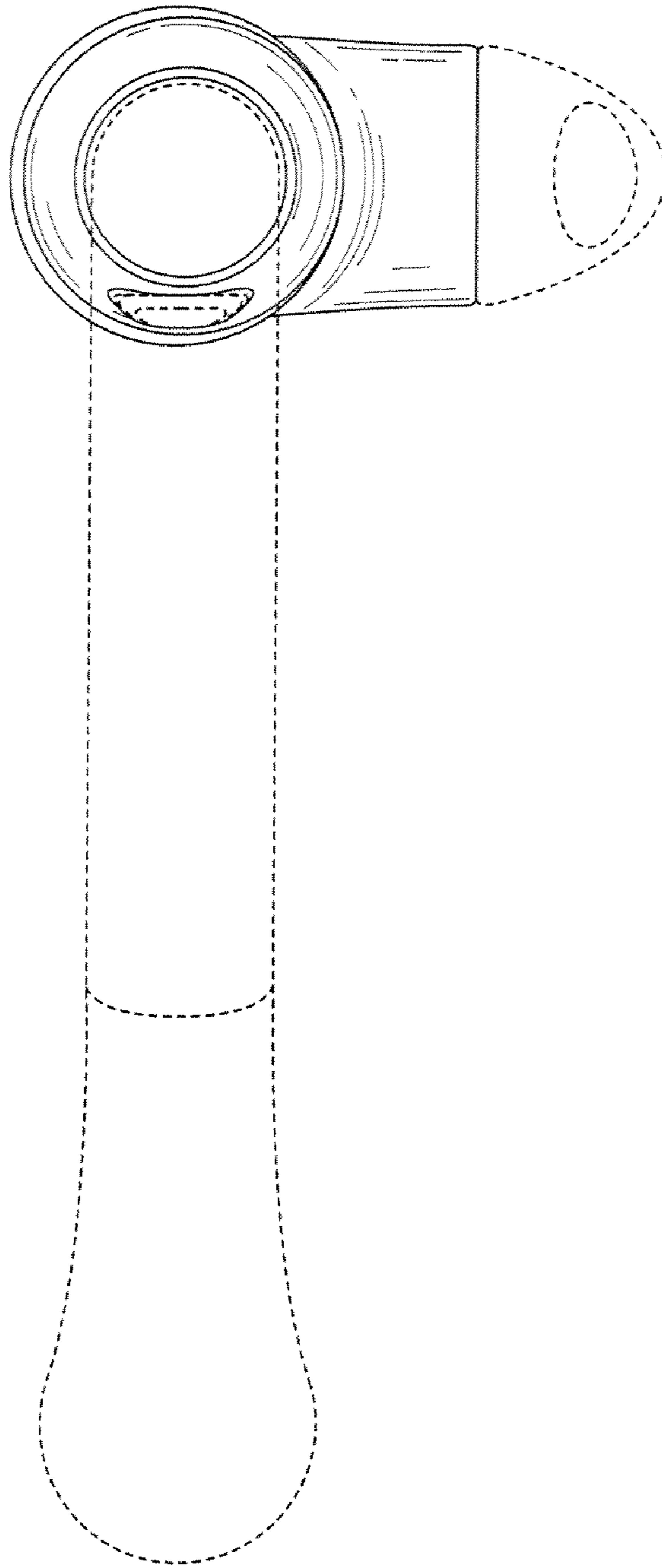


FIG. 4

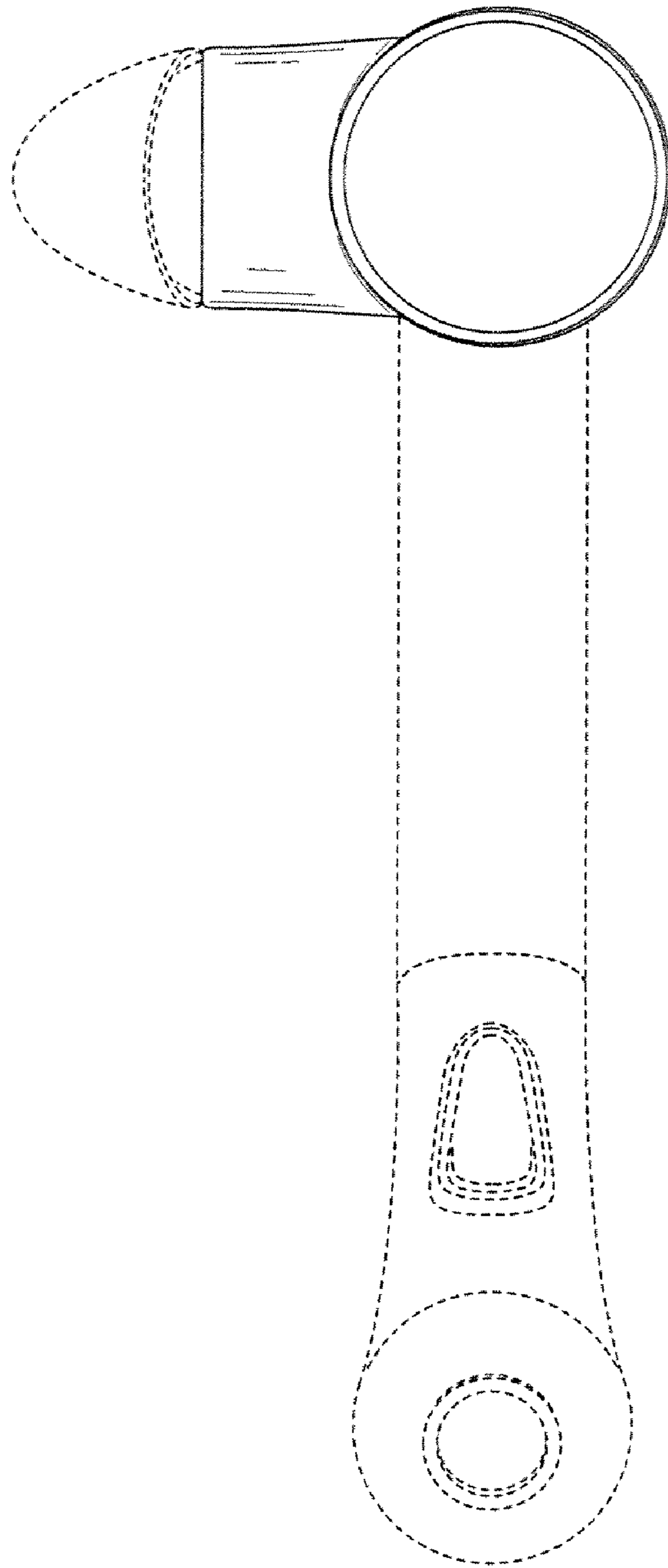


FIG. 5

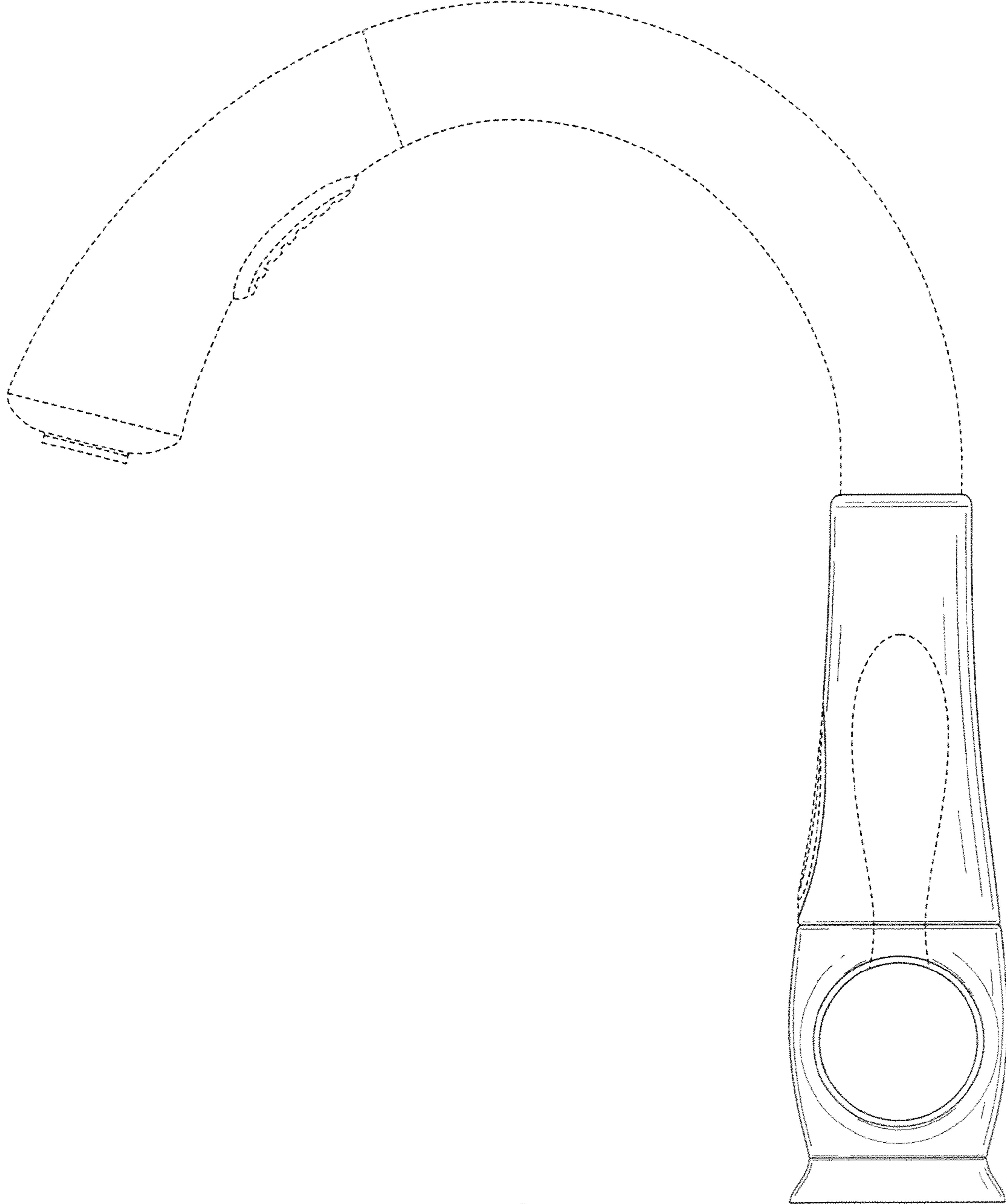


FIG. 6

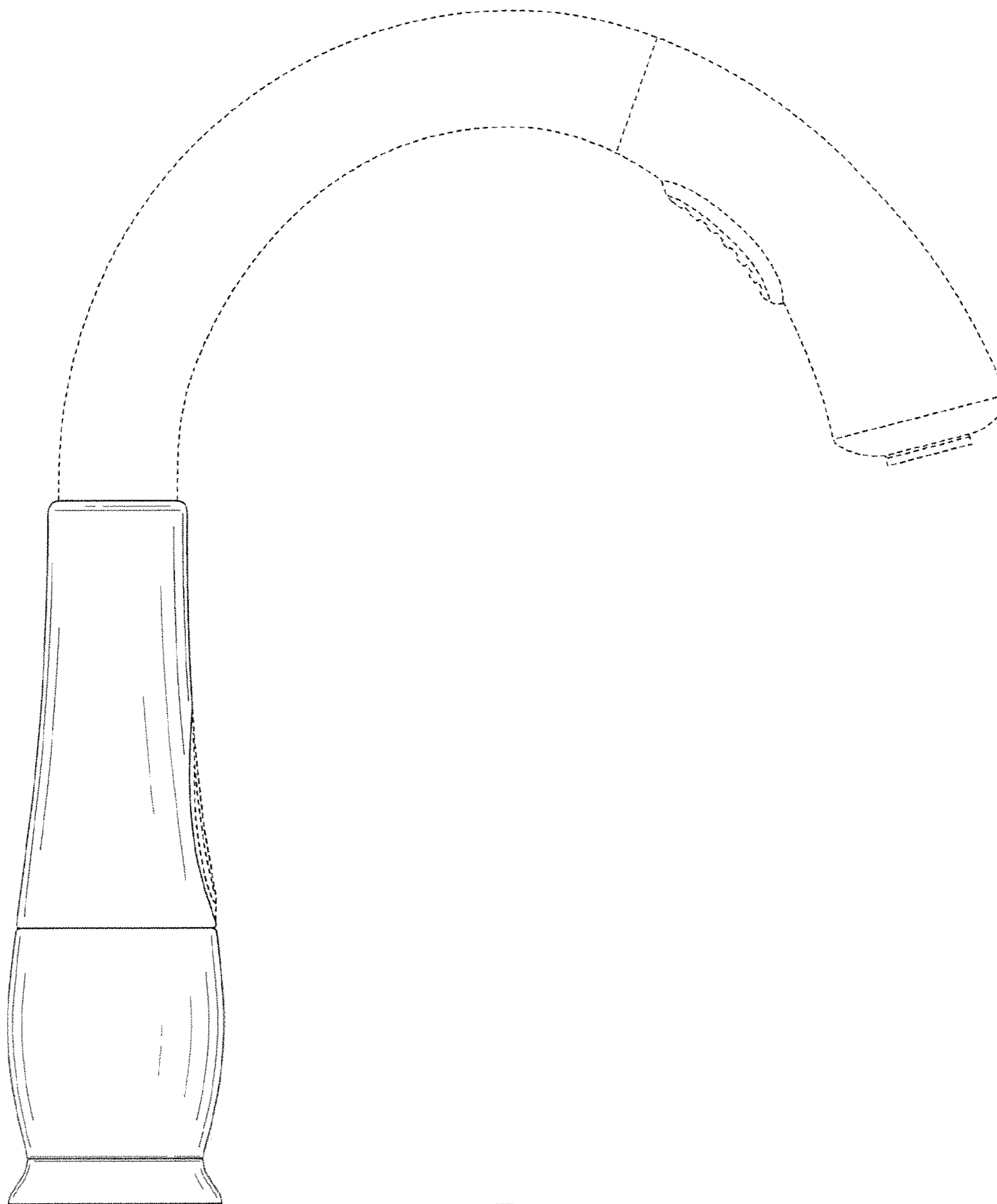


FIG. 7