



US00D625779S

(12) **United States Design Patent**
Sandee et al.

(10) **Patent No.:** **US D625,779 S**

(45) **Date of Patent:** **** Oct. 19, 2010**

(54) **PLUMBING FITTING**

(75) Inventors: **Coralee S. Sandee**, Sheboygan, WI (US); **Howard M. Montgomery**, Skokie, IL (US); **Duck Young Kong**, Kentwood, MI (US)

(73) Assignee: **Kohler Co.**, Kohler, WI (US)

(**) Term: **14 Years**

(21) Appl. No.: **29/351,340**

(22) Filed: **Dec. 3, 2009**

(51) **LOC (9) Cl.** **23-01**

(52) **U.S. Cl.** **D23/238**

(58) **Field of Classification Search** D23/238,
D23/241–243, 250, 252, 255, 257; 4/675–678;
137/801

See application file for complete search history.

(56) **References Cited**

U.S. PATENT DOCUMENTS

D290,869 S	7/1987	Paul	
D316,591 S	4/1991	Ragonot	
D478,966 S	8/2003	Citterio	
D503,217 S	3/2005	Aubry et al.	
D512,484 S	12/2005	Paini	
D522,092 S	5/2006	Hoernig	
D557,383 S	12/2007	Garner	
D568,967 S	5/2008	Williams et al.	
D573,231 S	7/2008	Kulig	
D579,521 S	10/2008	Kulig	
D583,905 S *	12/2008	Oh	D23/238
D596,711 S	7/2009	Sieger	
D602,121 S *	10/2009	Yabe et al.	D23/238
D605,256 S *	12/2009	Flowers et al.	D23/238
D611,575 S	3/2010	Schoenherr et al.	
D615,162 S *	5/2010	Pan	D23/255

OTHER PUBLICATIONS

Zucchetti. “Soft” and “Wosh” faucets.
Kohler Co. “Margaux® single-control lavatory faucet”. Model No. K-16230-4. Kohler Co. online catalog. Copyright 2008.

Hansgrohe. “Hansgrohe Freestanding Tub Filler.” Model No. 39451001. eFaucets.com online catalog. Copyright 2003-2008 elmpovement.com.

(Continued)

Primary Examiner—Robert A Delehanty
(74) *Attorney, Agent, or Firm*—Quarles & Brady LLP

(57) **CLAIM**

The ornamental design for a plumbing fitting, as shown and described.

DESCRIPTION

FIG. 1 is a right, top, front perspective view of a plumbing fitting according to our new design;

FIG. 2 is a right side elevational view thereof, the left side elevational view thereof being a mirror image of the right side shown;

FIG. 3 is a front elevational view thereof;

FIG. 4 is a rear elevational view thereof;

FIG. 5 is a top plan view thereof;

FIG. 6 is a bottom plan view thereof;

FIG. 7 is a right, top, front perspective view of a plumbing fitting according to another embodiment of our new design;

FIG. 8 is a right side elevational view thereof, the left side elevational view thereof being a mirror image of the right side shown;

FIG. 9 is a front elevational view thereof;

FIG. 10 is a rear elevational view thereof;

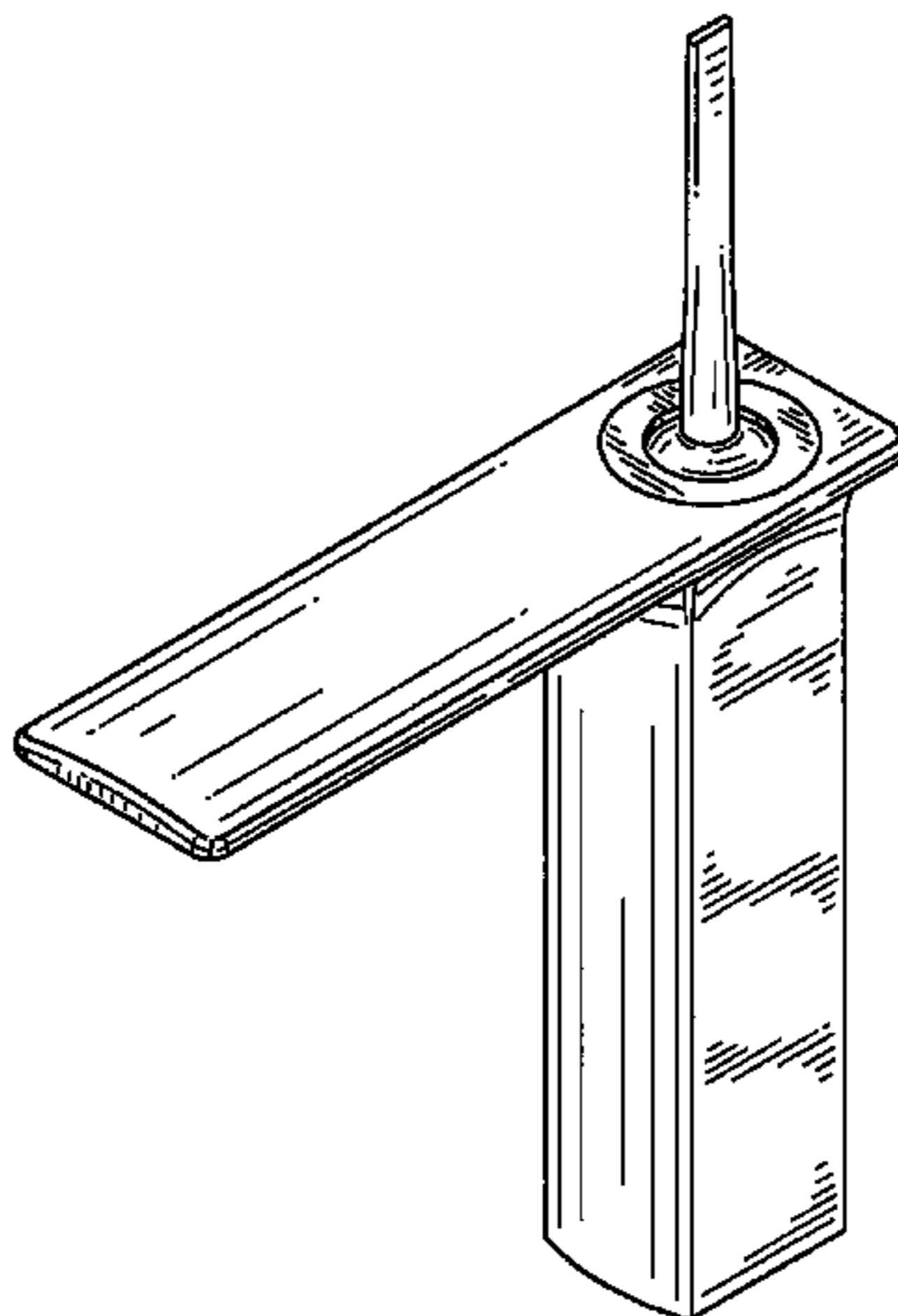
FIG. 11 is a top plan view thereof; and,

FIG. 12 is a bottom plan view thereof.

The broken line representations in the figures are for the purpose of illustration only, and form no part of the claimed design.

In a preferred embodiment, the nature of this product is a plumbing fitting in the form of a faucet, having a spout and control handle, for washing various items.

1 Claim, 8 Drawing Sheets



OTHER PUBLICATIONS

Dornbracht. "Lot" Series. Dornbracht catalog.
Notice of Allowance for U.S. Appl. No. 29/346,309, dated Jun. 16, 2010.
Hastings Bath Collection. "Riviera 3 Hole Basin Set - Ribbon Spout". Model No. FAN C 4204. HomePortfolio.com online catalog. Copyright 1997-2008 HomePortfolio Inc.
SignatureHardware. "Whittington Collection - Flat Cubic Roman Tub Faucet". SignatureHardware.com online catalog. Copyright 1999-2008 SignatureHardware.com or its affiliates.

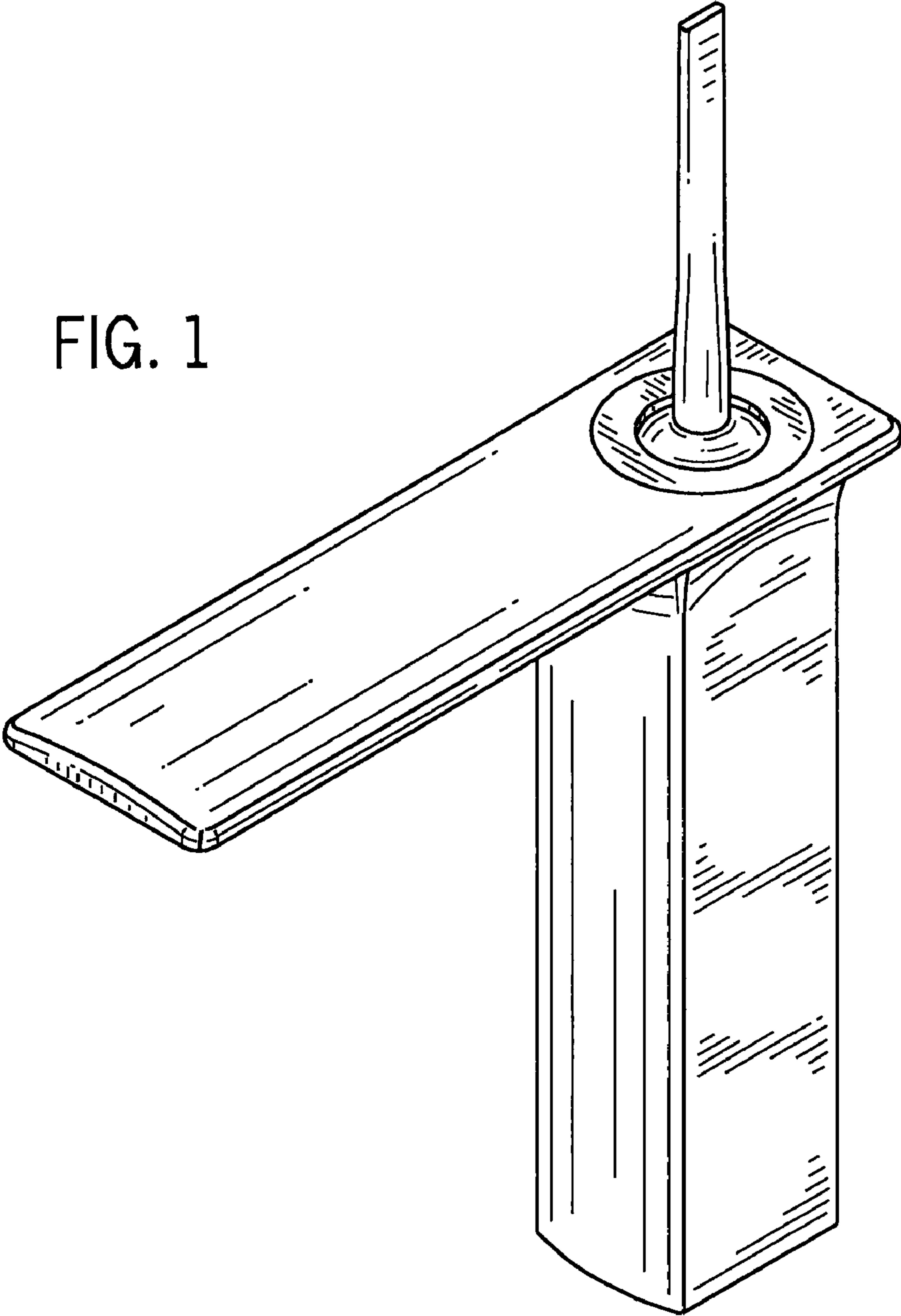
Oversized replica of computer gaming joystick.

Bath Collections. "Hydrus Jan. 2002 - Basin (deck) Faucet - solid massive stainless steel". HomePortfolio.com online catalog. Copyright 1997-2008 HomePortfolio Inc.

Danze. "Sirius Two Handle Lavatory Faucet". Model No. D301444. HomePortfolio.com online catalog. Copyright 1997-2008 HomePortfolio Inc.

* cited by examiner

FIG. 1



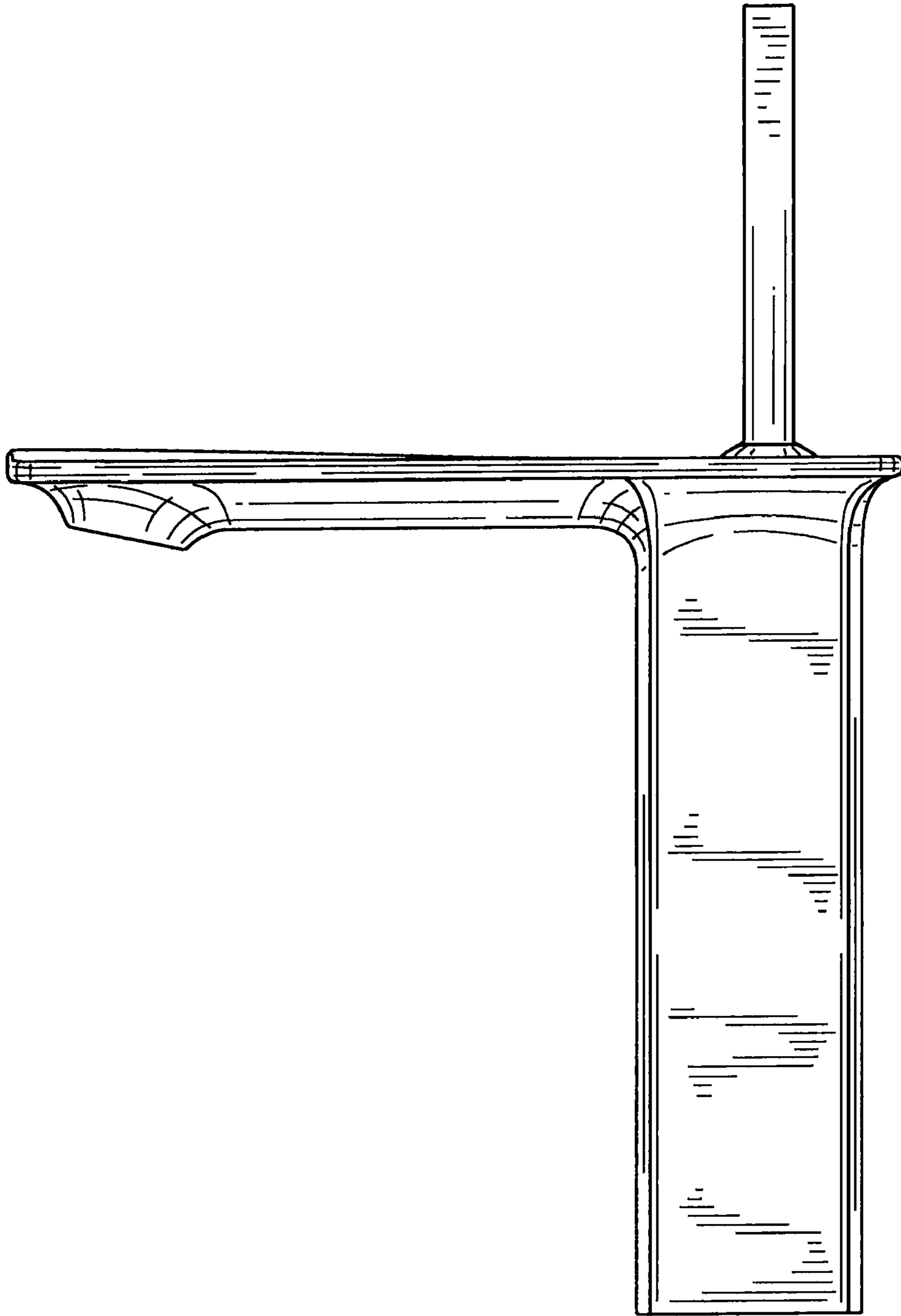


FIG. 2

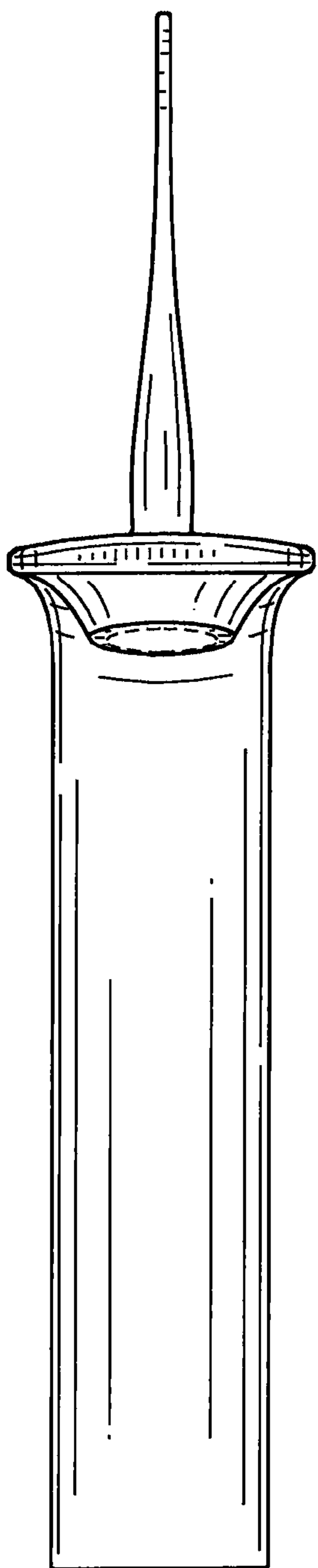


FIG. 3

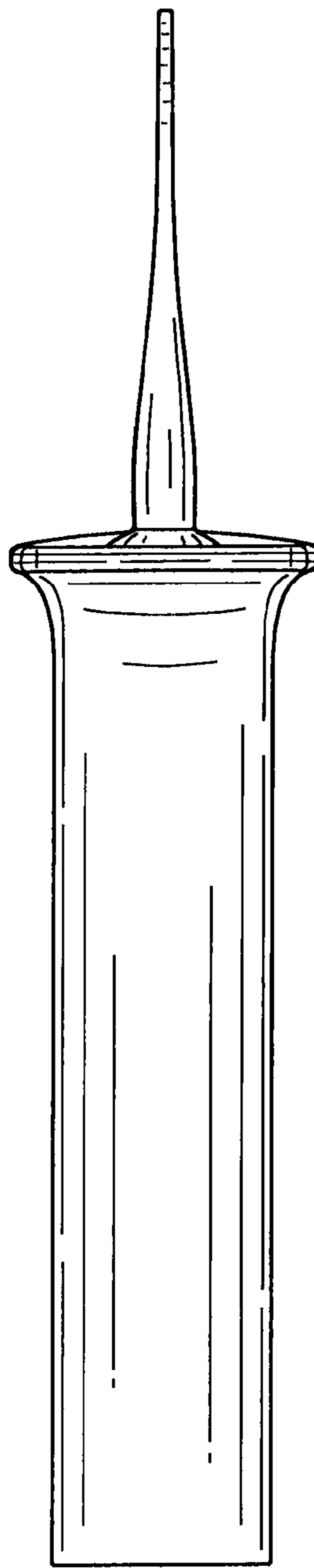


FIG. 4

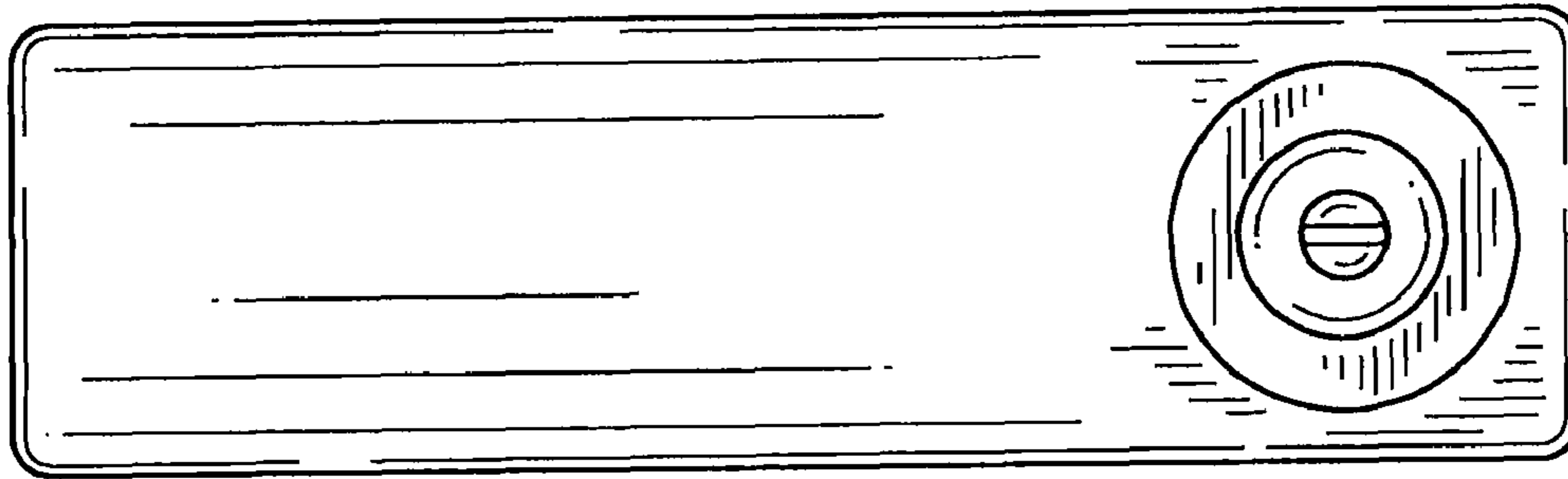


FIG. 5

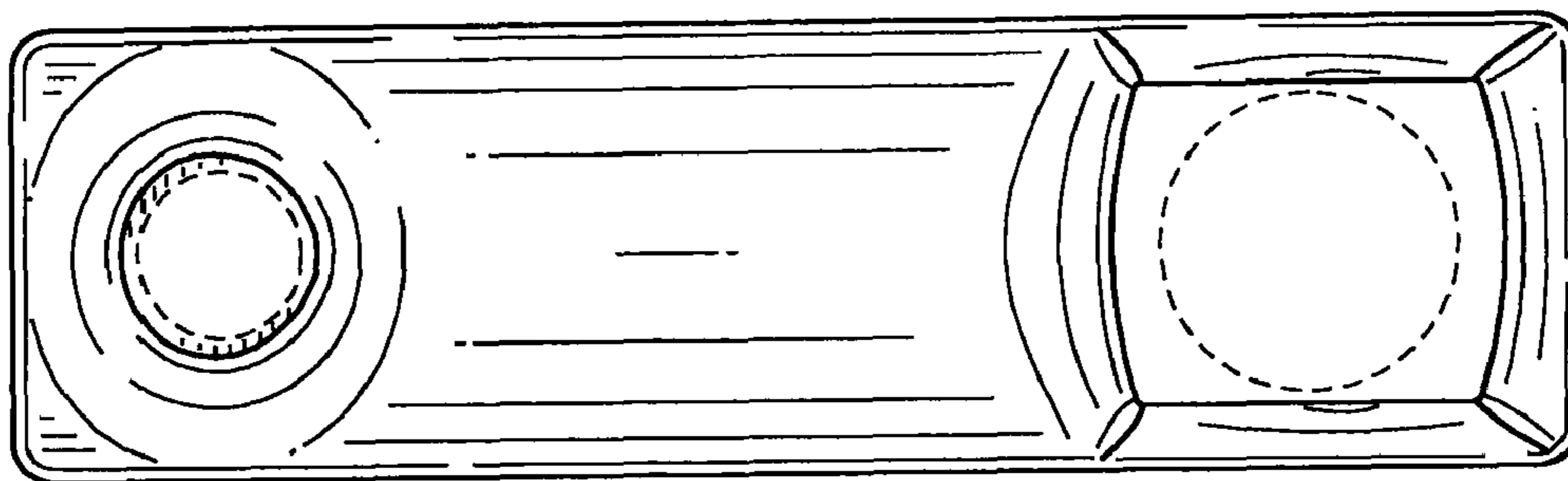
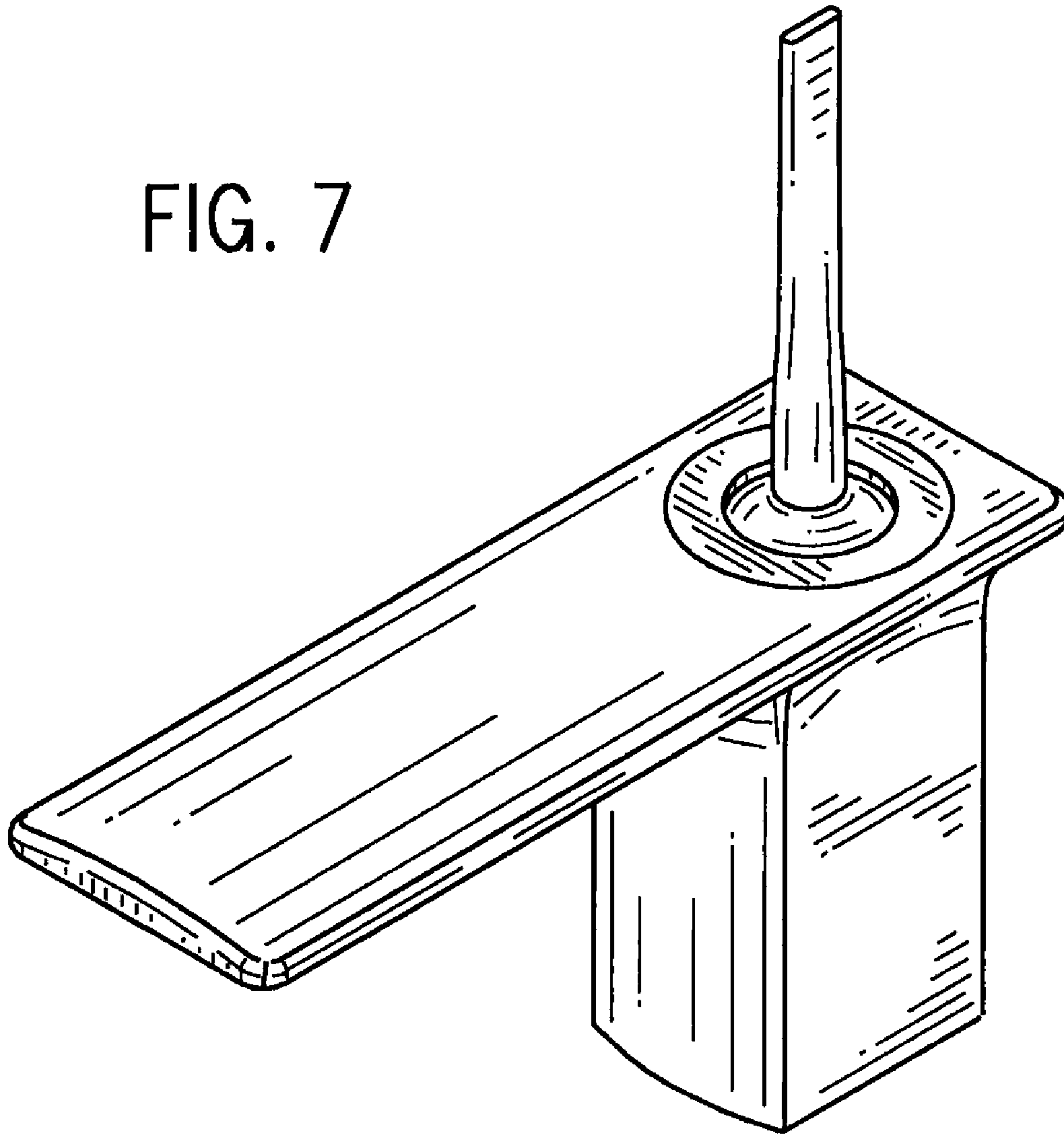


FIG. 6

FIG. 7



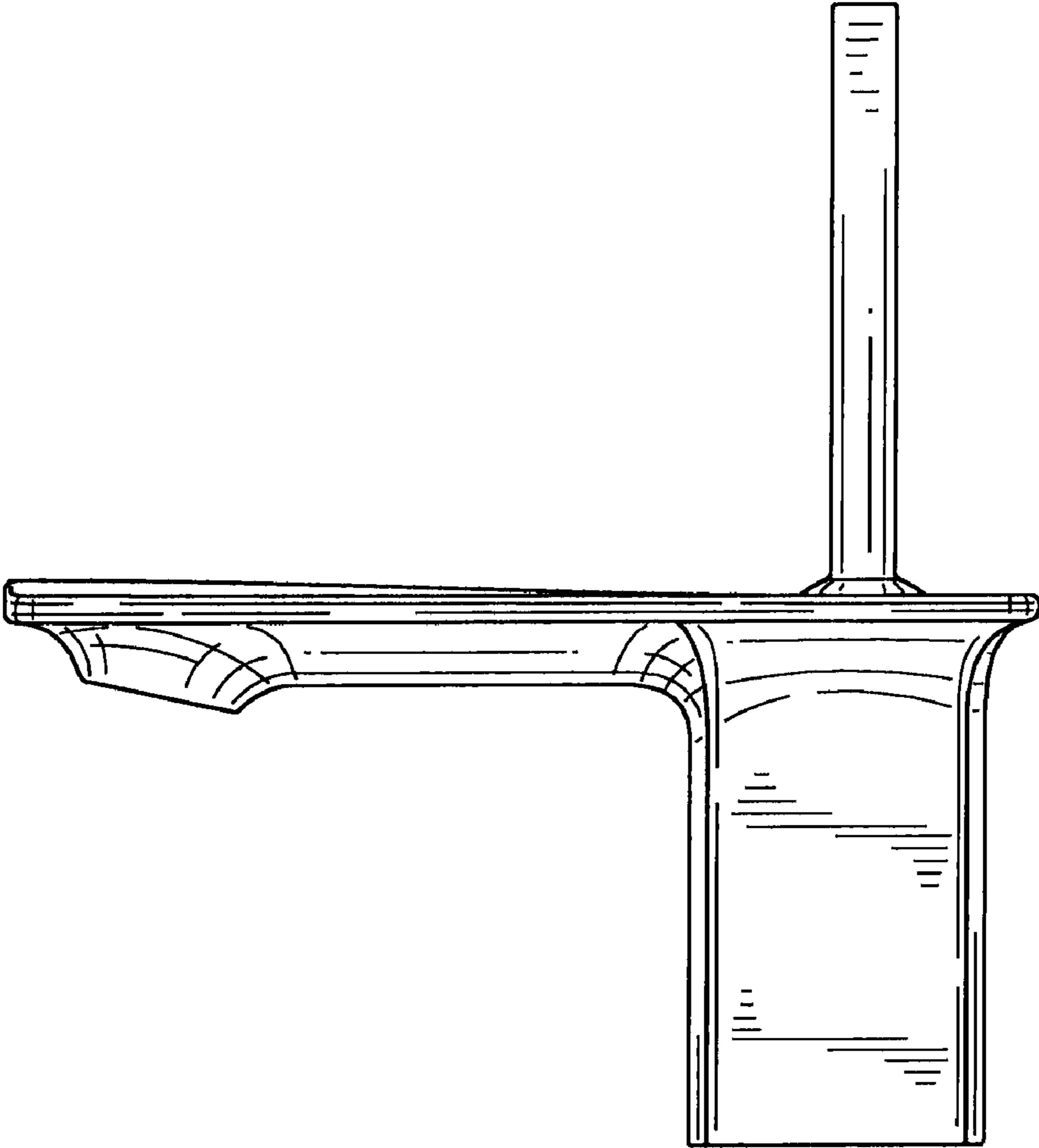


FIG. 8

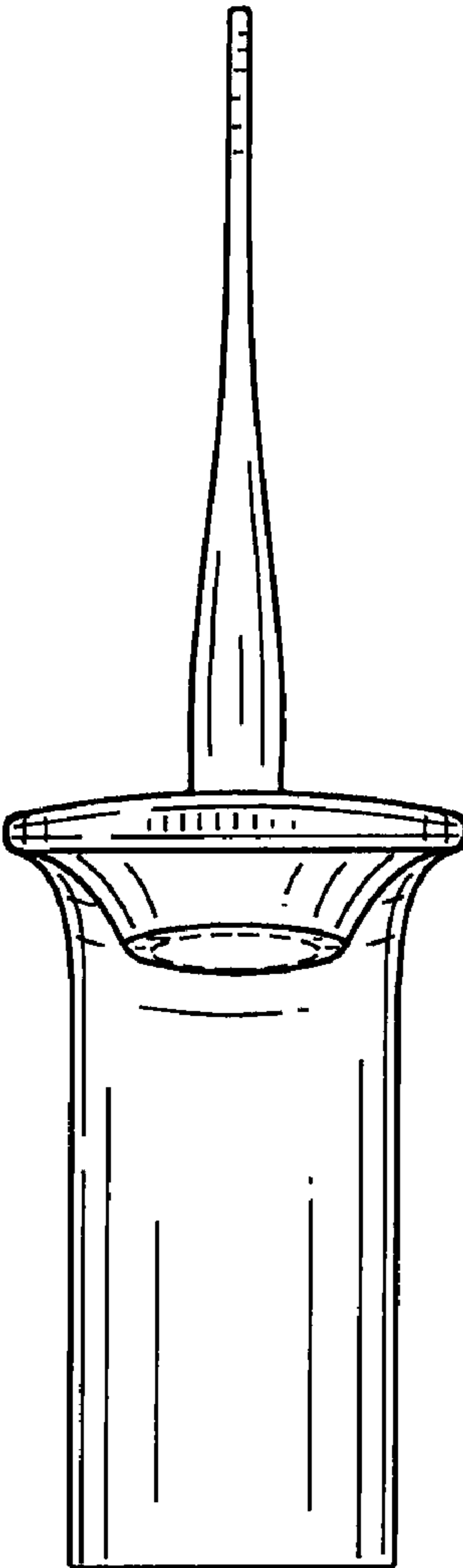


FIG. 9

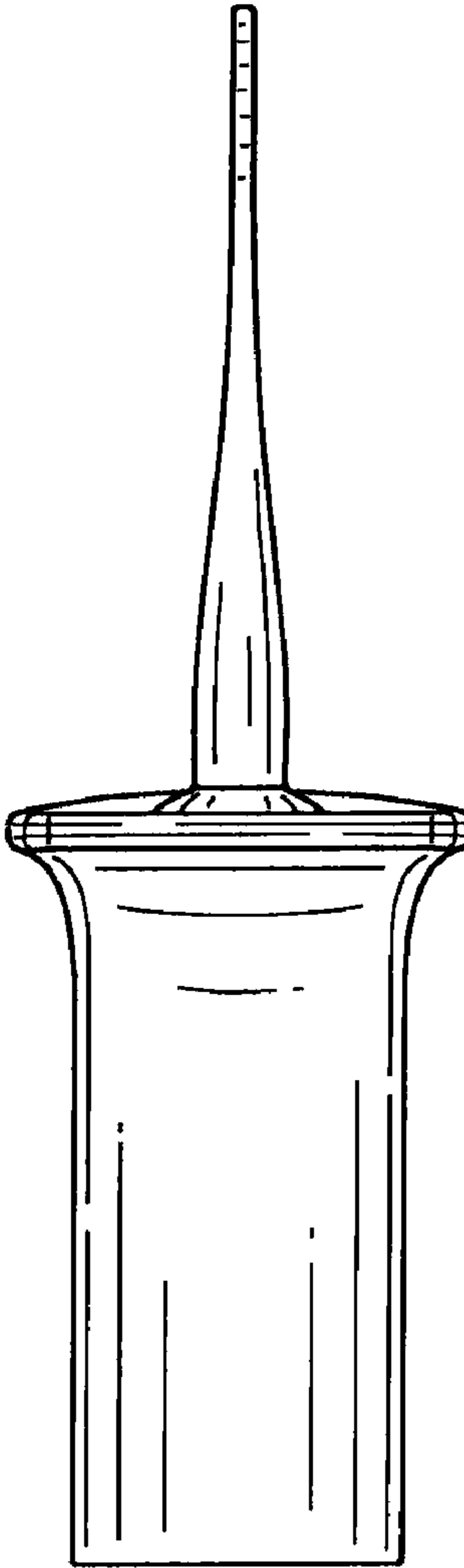


FIG. 10

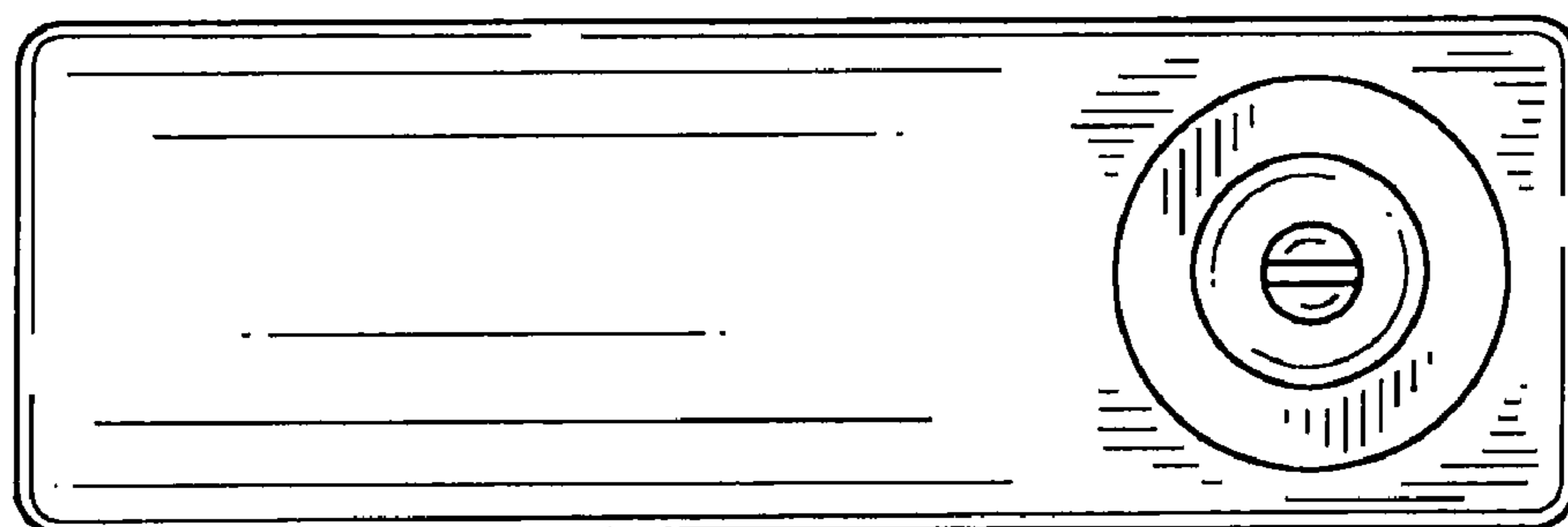


FIG. 11

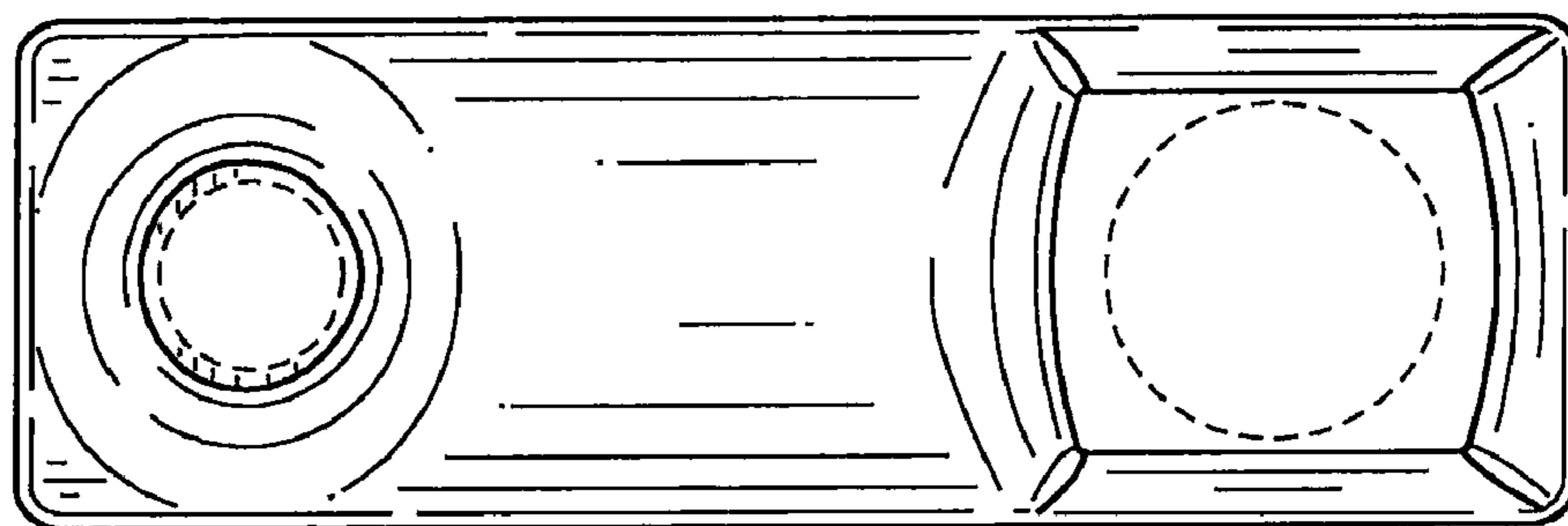


FIG. 12