



US00D625777S

(12) **United States Design Patent**
Löffler

(10) **Patent No.:** **US D625,777 S**

(45) **Date of Patent:** **** Oct. 19, 2010**

(54) **DISTRIBUTOR VALVE**

(75) Inventor: **Gerhard Löffler**, Olsberg (DE)

(73) Assignee: **F.W. Oventrop GmbH & Co., KG**,
Olsberg (DE)

(**) Term: **14 Years**

(21) Appl. No.: **29/293,003**

(22) Filed: **Nov. 6, 2007**

(30) **Foreign Application Priority Data**

May 16, 2007 (DE) 4 07 02 545

(51) **LOC (9) Cl.** **23-01**

(52) **U.S. Cl.** **D23/233**

(58) **Field of Classification Search** D23/233-237,
D23/244-249; 251/148, 304, 309; 137/216,
137/218, 505.25, 624.11, 624.14, 624.2,
137/625.46, 625.47, 627, 861, 862, 865,
137/870, 887, 119.07

See application file for complete search history.

(56) **References Cited**

U.S. PATENT DOCUMENTS

4,372,337 A * 2/1983 Holzenberger 137/240

D341,409 S * 11/1993 Wiser D23/233

D368,300 S * 3/1996 Grenga D23/235

6,386,232 B2 * 5/2002 Serrano Sanchez et al. 137/
624.14

6,941,970 B2 * 9/2005 Ibanez Sapina et al. 137/625.11

* cited by examiner

Primary Examiner—Cathron C. Brooks

Assistant Examiner—Maurice Stevens

(74) *Attorney, Agent, or Firm*—Andrew Wilford

(57) **CLAIM**

The ornamental design for a distributor valve, as shown.

DESCRIPTION

FIG. 1 is a front elevational view of a distributor valve according to the invention;

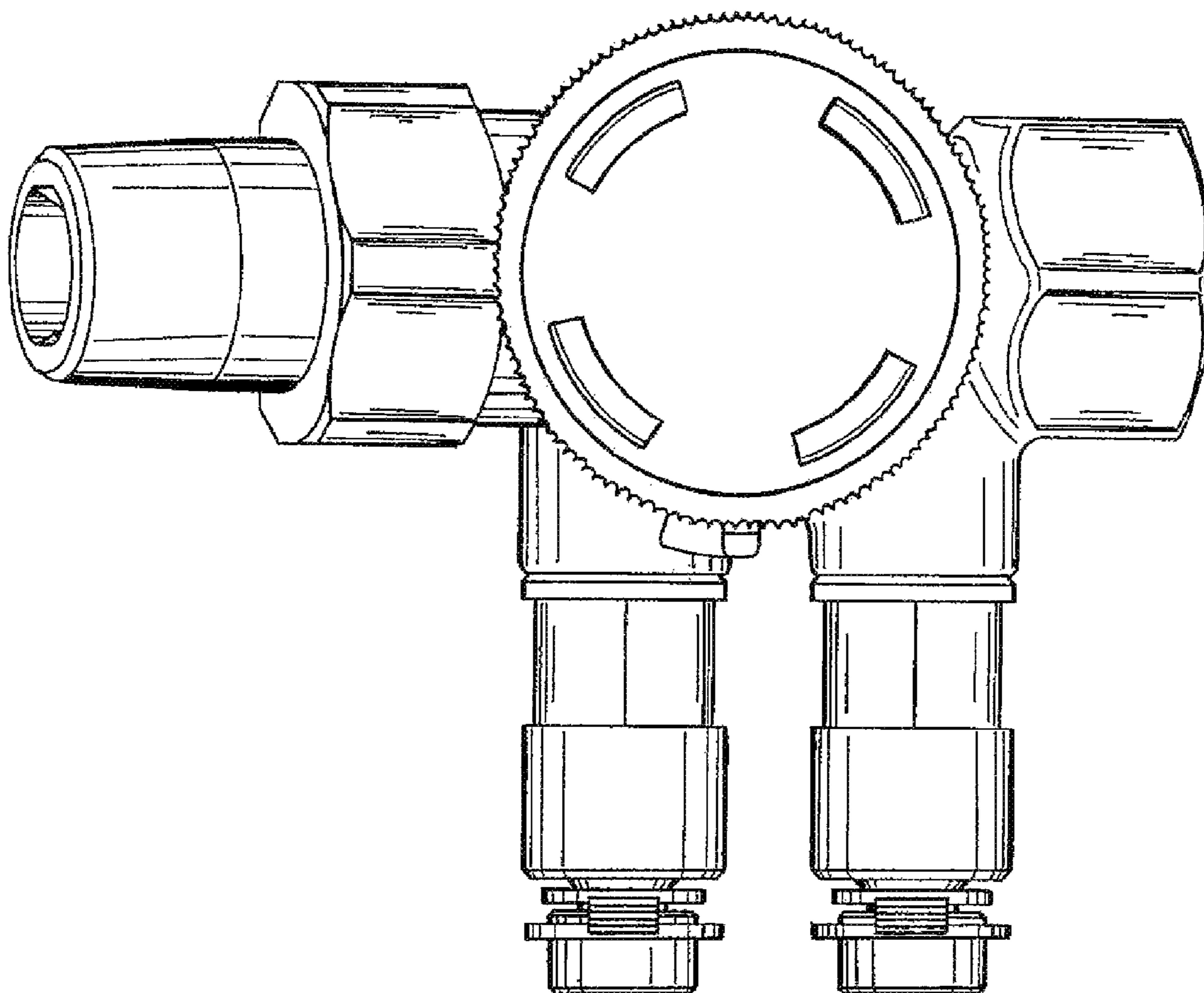
FIG. 2 is a back elevational view of the distributor valve;

FIG. 3 is a top view of the distributor valve;

FIG. 4 is a top perspective view of the distributor valve; and,

FIG. 5 is a bottom view of the distributor valve.

1 Claim, 5 Drawing Sheets



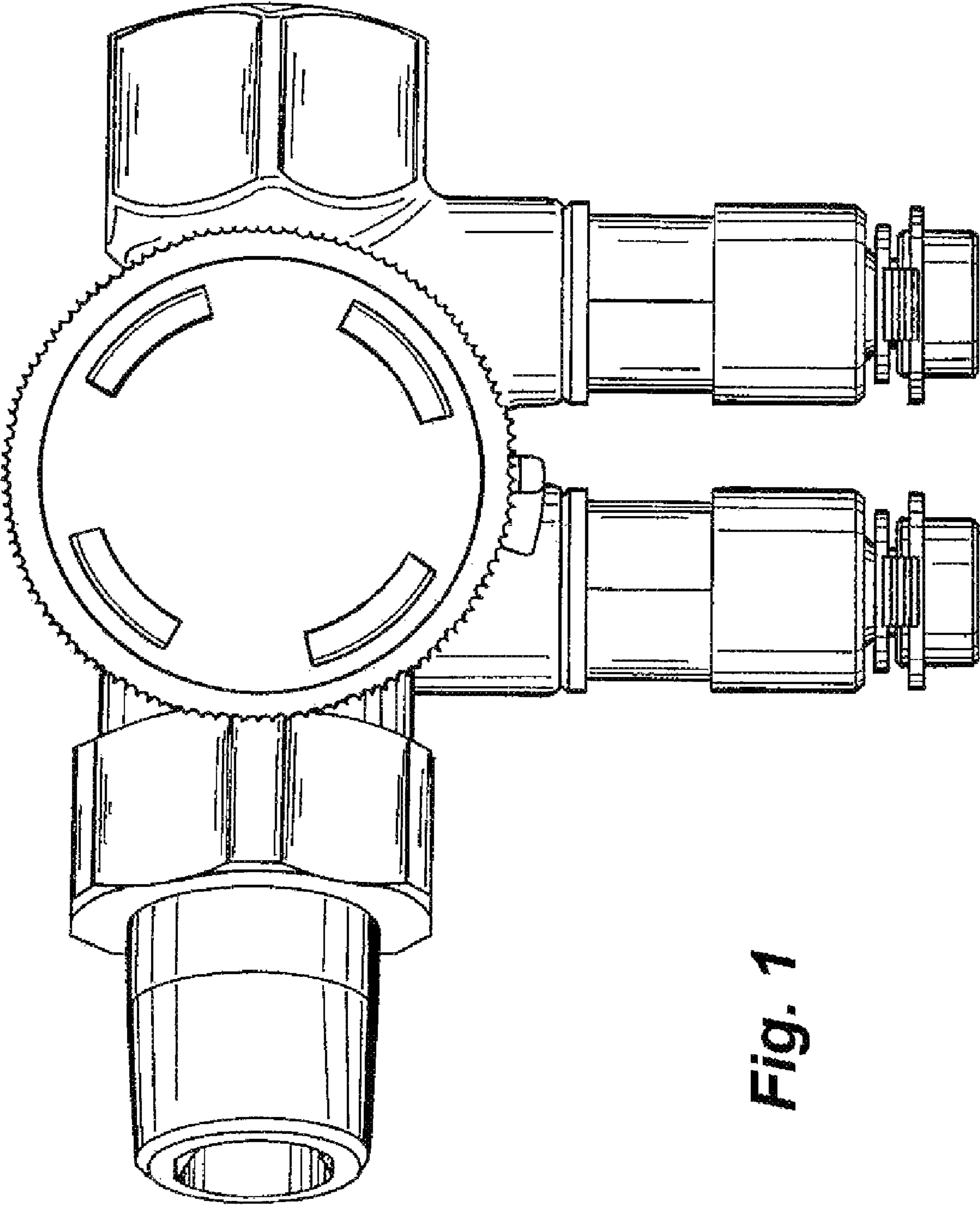


Fig. 1

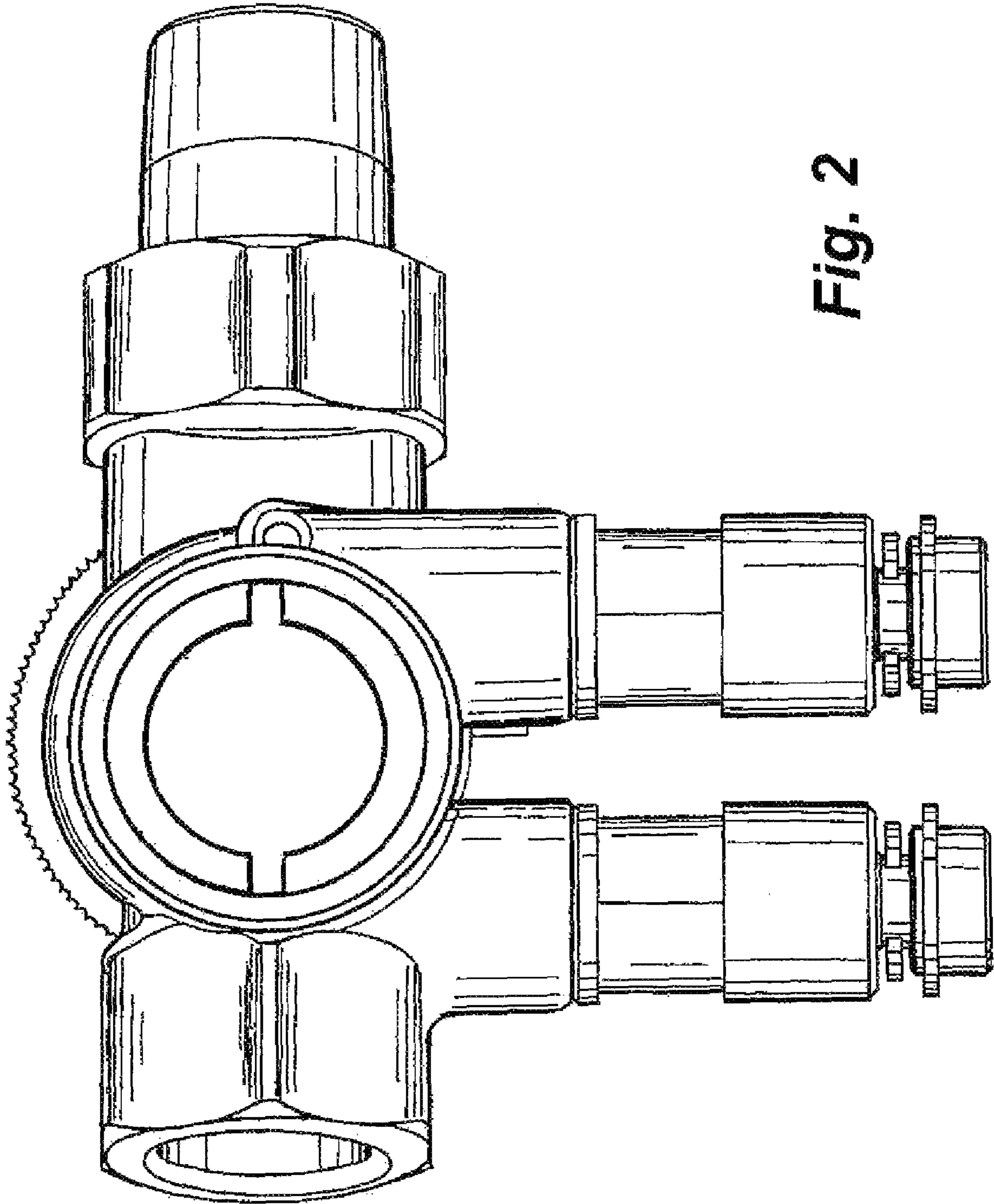


Fig. 2

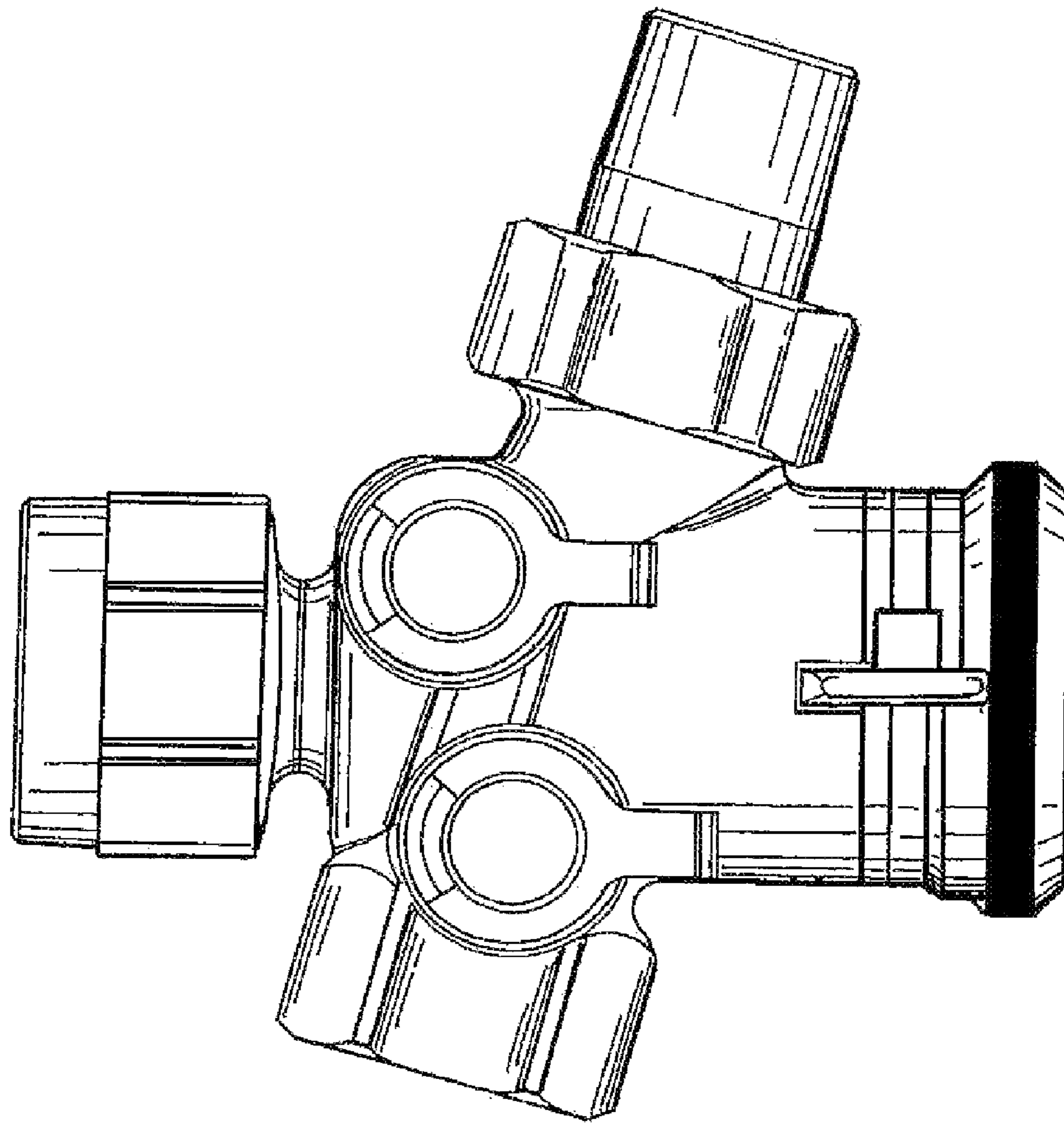


Fig. 3

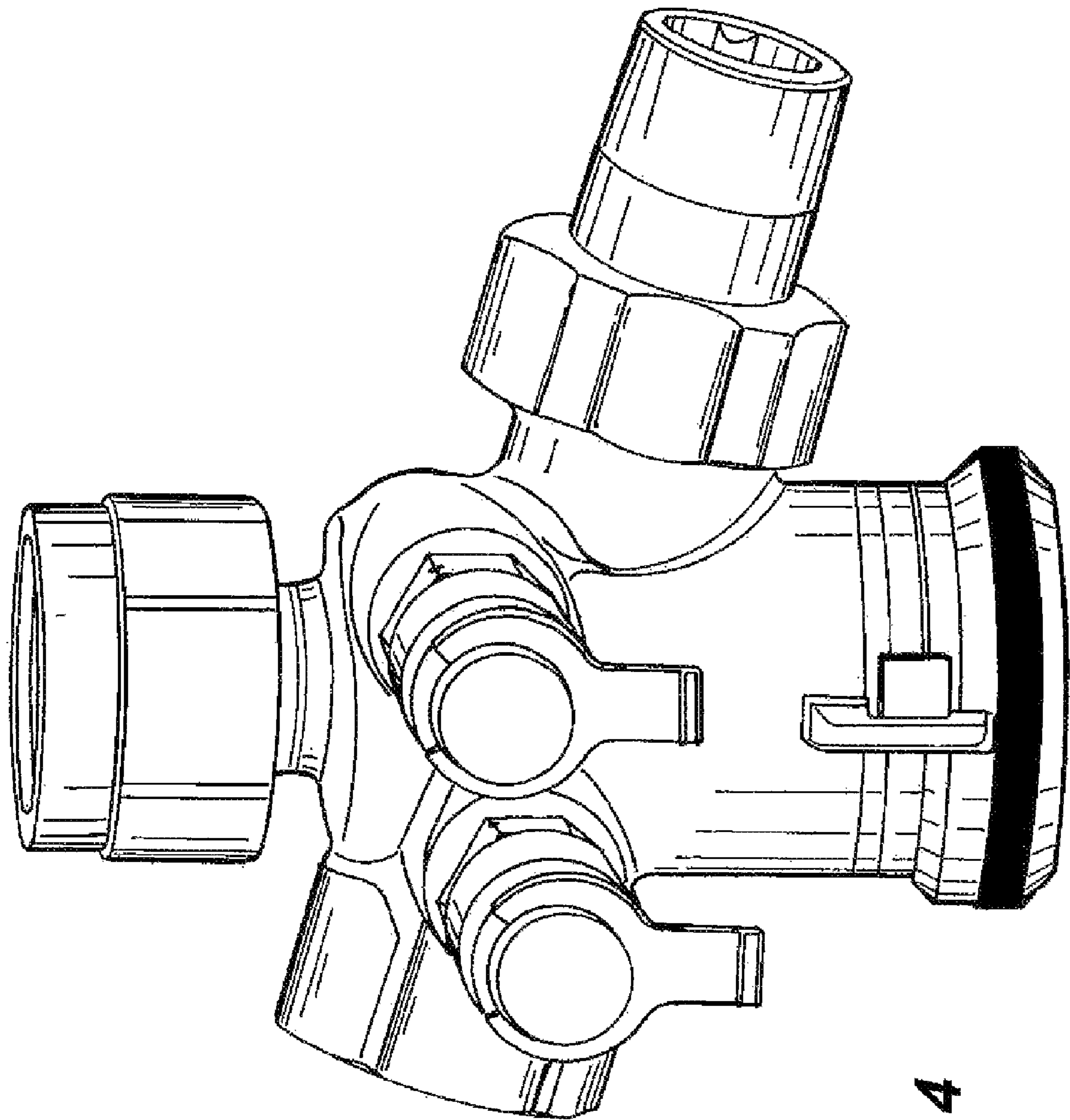


Fig. 4

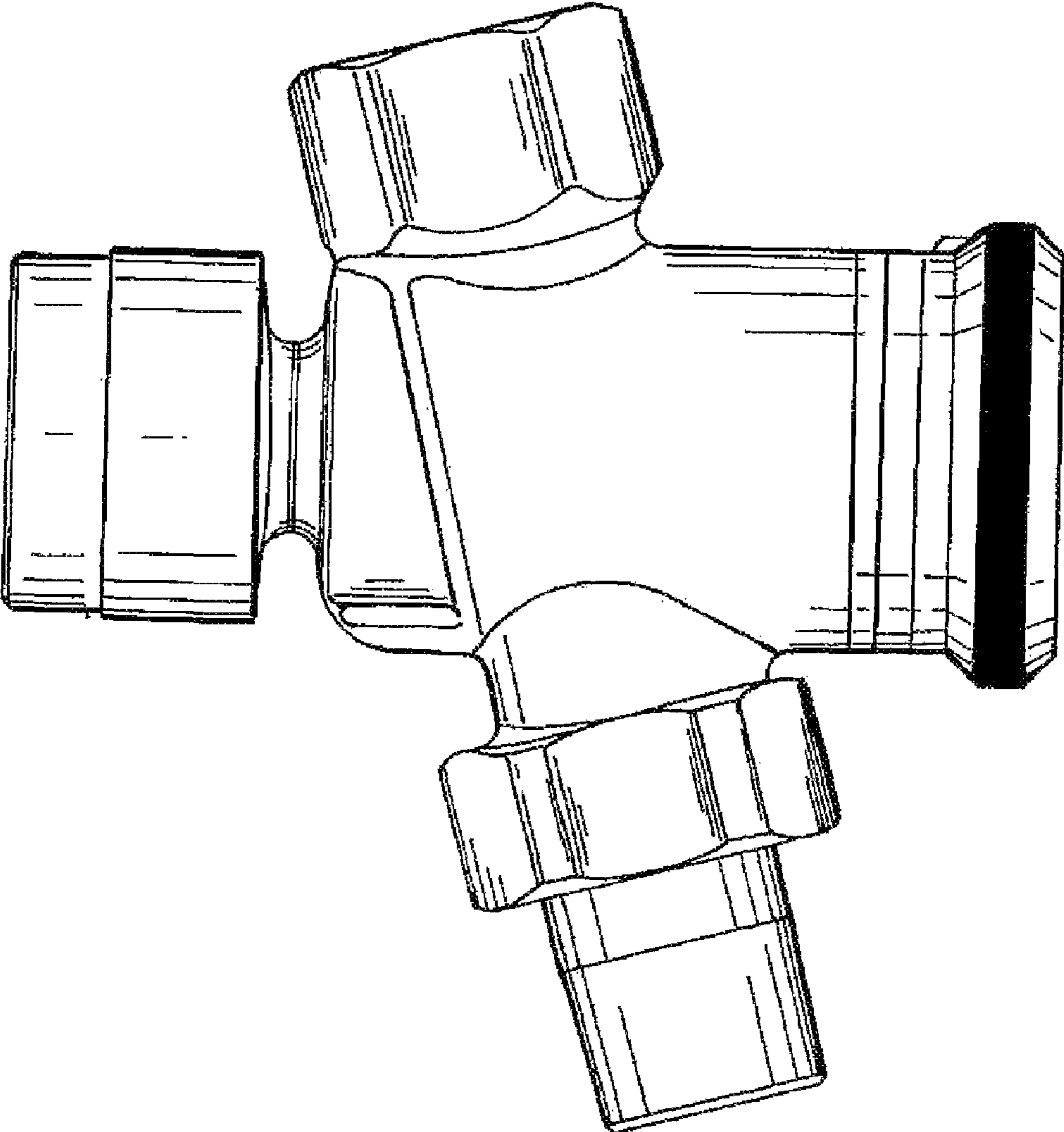


Fig. 5