



US00D625776S

(12) **United States Design Patent**
Williams

(10) **Patent No.:** **US D625,776 S**
(45) **Date of Patent:** **** Oct. 19, 2010**

(54) **SHOWERHEAD**

1,003,037 A 9/1911 Crowe
1,018,143 A 2/1912 Vissering

(75) Inventor: **Brian R. Williams**, Fort Collins, CO
(US)

(Continued)

(73) Assignee: **Water Pik, Inc.**, Fort Collins, CO (US)

FOREIGN PATENT DOCUMENTS

(**) Term: **14 Years**

CA 659510 3/1963

(Continued)

(21) Appl. No.: **29/344,818**

OTHER PUBLICATIONS

(22) Filed: **Oct. 5, 2009**

Color Copy, Labeled 1A, Gemlo, available at least as early as Dec. 2, 1998.

(Continued)

(51) **LOC (9) Cl.** **23-01**

(52) **U.S. Cl.** **D23/223**

(58) **Field of Classification Search** D23/213,
D23/223, 226; 239/282-283; 4/605, 615,
4/570, 567

Primary Examiner—Robin V Webster

(74) *Attorney, Agent, or Firm*—Dorsey & Whitney LLP

See application file for complete search history.

(57) **CLAIM**

(56) **References Cited**

I claim the ornamental design for a showerhead, as shown and described.

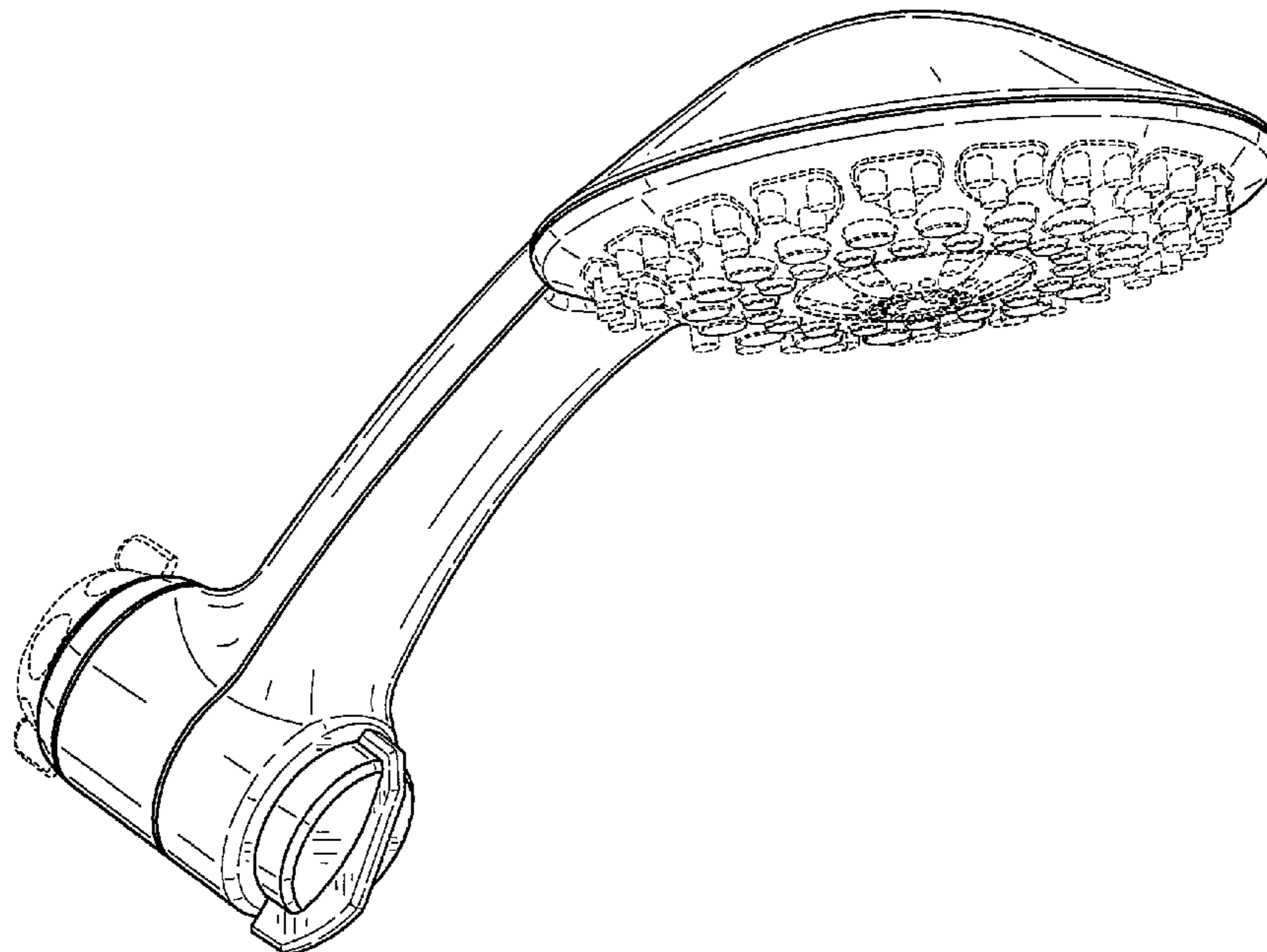
U.S. PATENT DOCUMENTS

DESCRIPTION

203,094 A	4/1878	Wakeman
204,333 A	5/1878	Josias
309,349 A	12/1884	Hart
428,023 A	5/1890	Schoff
432,712 A	7/1890	Taylor
445,250 A	1/1891	Lawless
486,986 A	11/1892	Schinke
566,384 A	8/1896	Engelhart
566,410 A	8/1896	Schinke
570,405 A	10/1896	Jerguson et al.
694,888 A	3/1902	Pfluger
800,802 A	10/1905	Franquist
832,523 A	10/1906	Anderson
835,678 A	11/1906	Hammond
854,094 A	5/1907	Klein
926,929 A	7/1909	Dusseau
1,001,842 A	8/1911	Greenfield

FIG. 1 is a front isometric view of a showerhead.
 FIG. 2 is a right side elevation view of the showerhead of FIG. 1.
 FIG. 3 is a left side elevation view of the showerhead of FIG. 1.
 FIG. 4 is a front elevation view of the showerhead of FIG. 1.
 FIG. 5 is a rear elevation view of the showerhead of FIG. 1.
 FIG. 6 is a top plan view of the showerhead of FIG. 1; and,
 FIG. 7 is a bottom plan view of the showerhead of FIG. 1.
 The broken lines shown in the drawings are for illustrative purposes only and form no part of the claimed design.

1 Claim, 7 Drawing Sheets



US D625,776 S

Page 2

U.S. PATENT DOCUMENTS							
1,046,573	A	12/1912	Ellis	D190,295	S	5/1961	Becker
1,203,466	A	10/1916	Benson	2,992,437	A	7/1961	Nelson et al.
1,217,254	A	2/1917	Winslow	3,007,648	A	11/1961	Fraser
1,218,895	A	3/1917	Porter	D192,935	S	5/1962	Becker
1,255,577	A	2/1918	Berry	3,032,357	A	5/1962	Shames et al.
1,260,181	A	3/1918	Garnero	3,034,809	A	5/1962	Greenberg
1,276,117	A	8/1918	Riebe	3,037,799	A	6/1962	Mulac
1,284,099	A	11/1918	Harris	3,081,339	A	3/1963	Green et al.
1,327,428	A	1/1920	Gregory	3,092,333	A	6/1963	Gaiotto
1,451,800	A	4/1923	Agner	3,098,508	A	7/1963	Gerdes
1,459,582	A	6/1923	Dubee	3,103,723	A	9/1963	Becker
1,469,528	A	10/1923	Owens	3,104,815	A	9/1963	Schultz
1,500,921	A	7/1924	Bramson et al.	3,104,827	A	9/1963	Aghnides
1,560,789	A	11/1925	Johnson et al.	3,111,277	A	11/1963	Grimsley
1,597,477	A	8/1926	Panhorst	3,112,073	A	11/1963	Larson et al.
1,633,531	A	6/1927	Keller	3,143,857	A	8/1964	Eaton
1,692,394	A	11/1928	Sundh	3,196,463	A	7/1965	Farneth
1,695,263	A	12/1928	Jacques	3,231,200	A	1/1966	Heald
1,724,147	A	8/1929	Russell	3,236,545	A	2/1966	Parkes et al.
1,724,161	A	8/1929	Wuesthoff	3,239,152	A	3/1966	Bachli et al.
1,736,160	A	11/1929	Jonsson	3,266,059	A	8/1966	Stelle
1,754,127	A	4/1930	Srulowitz	3,272,437	A	9/1966	Coson
1,758,115	A	5/1930	Kelly	3,273,359	A	9/1966	Fregeolle
1,778,658	A	10/1930	Baker	3,306,634	A	2/1967	Groves et al.
1,821,274	A	9/1931	Plummer	3,323,148	A	6/1967	Burnon
1,849,517	A	3/1932	Fraser	3,329,967	A	7/1967	Martinez et al.
1,890,156	A	12/1932	Konig	3,341,132	A	9/1967	Parkison
1,906,575	A	5/1933	Goeriz	3,342,419	A	9/1967	Weese
1,934,553	A	11/1933	Mueller et al.	3,344,994	A	10/1967	Fife
1,946,207	A	2/1934	Haire	3,363,842	A	1/1968	Burns
2,011,446	A	8/1935	Judell	3,383,051	A	5/1968	Fiorentino
2,024,930	A	12/1935	Judell	3,389,925	A	6/1968	Gottschald
2,033,467	A	3/1936	Groeniger	3,393,311	A	7/1968	Dahl
2,044,445	A	6/1936	Price et al.	3,393,312	A	7/1968	Dahl
2,085,854	A	7/1937	Hathaway et al.	3,404,410	A	10/1968	Sumida
2,096,912	A	10/1937	Morris	3,492,029	A	1/1970	French et al.
2,117,152	A	5/1938	Crosti	3,516,611	A	6/1970	Piggott
D113,439	S	2/1939	Reinecke	3,546,961	A	12/1970	Marion
2,196,783	A	4/1940	Shook	3,550,863	A	12/1970	McDermott
2,197,667	A	4/1940	Shook	3,552,436	A	1/1971	Stewart
2,216,149	A	10/1940	Weiss	3,565,116	A	2/1971	Gabin
D126,433	S	4/1941	Enthof	3,566,917	A	3/1971	White
2,251,192	A	7/1941	Krumsiek et al.	3,580,513	A	5/1971	Martin
2,268,263	A	12/1941	Newell et al.	3,584,822	A	6/1971	Oram
2,285,831	A	6/1942	Pennypacker	3,596,835	A	8/1971	Smith et al.
2,342,757	A	2/1944	Roser	3,612,577	A	10/1971	Pope
2,402,741	A	6/1946	Draviner	3,637,143	A	1/1972	Shames et al.
D147,258	S	8/1947	Becker	3,641,333	A	2/1972	Gendron
D152,584	S	2/1949	Becker	3,647,144	A	3/1972	Parkison et al.
2,467,954	A	4/1949	Becker	3,663,044	A	5/1972	Contreras et al.
2,546,348	A	3/1951	Schuman	3,669,470	A	6/1972	Deurloo
2,567,642	A	9/1951	Penshaw	3,672,648	A	6/1972	Price
2,581,129	A	1/1952	Muldoon	3,682,392	A	8/1972	Kint
D166,073	S	3/1952	Dunkelberger	3,685,745	A	8/1972	Peschcke-Koedt
2,648,762	A	8/1953	Dunkelberger	D224,834	S	9/1972	Laudell
2,664,271	A	12/1953	Arutunoff	3,711,029	A	1/1973	Bartlett
2,671,693	A	3/1954	Hyser et al.	3,722,798	A	3/1973	Bletcher et al.
2,676,806	A	4/1954	Bachman	3,722,799	A	3/1973	Rauh
2,679,575	A	5/1954	Haberstump	3,731,084	A	5/1973	Trevorrow
2,680,358	A	6/1954	Zublin	3,754,779	A	8/1973	Peress
2,726,120	A	12/1955	Bletcher et al.	D228,622	S	10/1973	Juhlin
2,759,765	A	8/1956	Pawley	3,762,648	A	10/1973	Deines et al.
2,776,168	A	1/1957	Schweda	3,768,735	A	10/1973	Ward
2,792,847	A	5/1957	Spencer	3,786,995	A	1/1974	Manoogian et al.
2,873,999	A	2/1959	Webb	3,801,019	A	4/1974	Trenary et al.
2,930,505	A	3/1960	Meyer	3,810,580	A	5/1974	Rauh
2,931,672	A	4/1960	Merritt et al.	3,826,454	A	7/1974	Zieger
2,935,265	A	5/1960	Richter	3,840,734	A	10/1974	Oram
2,949,242	A	8/1960	Blumberg et al.	3,845,291	A	10/1974	Portyrata
2,957,587	A	10/1960	Tobin	3,860,271	A	1/1975	Rodgers
2,966,311	A	12/1960	Davis	3,861,719	A	1/1975	Hand
				3,865,310	A	2/1975	Elkins et al.
				3,869,151	A	3/1975	Fletcher et al.

US D625,776 S

Page 3

3,896,845 A	7/1975	Parker	4,461,052 A	7/1984	Mostul
3,902,671 A	9/1975	Symmons	4,465,308 A	8/1984	Martini
3,910,277 A	10/1975	Zimmer	4,467,964 A	8/1984	Kaesar
D237,708 S	11/1975	Grohe	4,495,550 A	1/1985	Visciano
3,929,164 A	12/1975	Richter	4,527,745 A	7/1985	Butterfield et al.
3,958,756 A	5/1976	Trenary et al.	4,540,202 A	9/1985	Amphoux et al.
D240,322 S	6/1976	Staub	4,545,081 A	10/1985	Nestor et al.
3,967,783 A	7/1976	Halsted et al.	4,553,775 A	11/1985	Halling
3,979,096 A	9/1976	Zieger	D281,820 S	12/1985	Oba et al.
3,997,116 A	12/1976	Moen	4,561,593 A	12/1985	Cammack et al.
3,998,390 A	12/1976	Peterson et al.	4,564,889 A	1/1986	Bolson
3,999,714 A	12/1976	Lang	4,571,003 A	2/1986	Roling et al.
4,005,880 A	2/1977	Anderson et al.	4,572,232 A	2/1986	Gruber
4,006,920 A	2/1977	Sadler et al.	D283,645 S	4/1986	Tanaka
4,023,782 A	5/1977	Eifer	4,587,991 A	5/1986	Chorkey
4,042,984 A	8/1977	Butler	4,588,130 A	5/1986	Trenary et al.
4,045,054 A	8/1977	Arnold	4,598,866 A	7/1986	Cammack et al.
D245,858 S	9/1977	Grube	4,614,303 A	9/1986	Moseley, Jr. et al.
D245,860 S	9/1977	Grube	4,616,298 A	10/1986	Bolson
4,068,801 A	1/1978	Leutheuser	4,618,100 A	10/1986	White et al.
4,081,135 A	3/1978	Tomaro	4,629,124 A	12/1986	Gruber
4,084,271 A	4/1978	Ginsberg	4,629,125 A	12/1986	Liu
4,091,998 A	5/1978	Peterson	4,643,463 A	2/1987	Halling et al.
D249,356 S	9/1978	Nagy	4,645,244 A	2/1987	Curtis
4,117,979 A	10/1978	Lagarelli et al.	RE32,386 E	3/1987	Hunter
4,129,257 A	12/1978	Eggert	4,650,120 A	3/1987	Kress
4,130,120 A	12/1978	Kohler, Jr.	4,650,470 A	3/1987	Epstein
4,131,233 A	12/1978	Koenig	4,652,025 A	3/1987	Conroy, Sr.
4,133,486 A	1/1979	Fanella	4,654,900 A	4/1987	McGhee
4,135,549 A	1/1979	Baker	4,657,185 A	4/1987	Rundzaitis
D251,045 S	2/1979	Grube	4,669,666 A	6/1987	Finkbeiner
4,141,502 A	2/1979	Grohe	4,669,757 A	6/1987	Bartholomew
4,151,955 A	5/1979	Stouffer	4,674,687 A	6/1987	Smith et al.
4,151,957 A	5/1979	Gecewicz et al.	4,683,917 A	8/1987	Bartholomew
4,162,801 A	7/1979	Kresky et al.	4,703,893 A	11/1987	Gruber
4,165,837 A	8/1979	Rundzaitis	4,719,654 A	1/1988	Blessing
4,167,196 A	9/1979	Morris	4,733,337 A	3/1988	Bieberstein
4,174,822 A	11/1979	Larsson	D295,437 S	4/1988	Fabian
4,185,781 A	1/1980	O'Brien	4,739,801 A	4/1988	Kimura et al.
4,190,207 A	2/1980	Fienhold et al.	4,749,126 A	6/1988	Kessener et al.
4,191,332 A	3/1980	De Langis et al.	D296,582 S	7/1988	Haug et al.
4,203,550 A	5/1980	On	4,754,928 A	7/1988	Rogers et al.
4,209,132 A	6/1980	Kwan	D297,160 S	8/1988	Robbins
D255,626 S	7/1980	Grube	4,764,047 A	8/1988	Johnston et al.
4,219,160 A	8/1980	Allred, Jr.	4,778,104 A	10/1988	Fisher
4,221,338 A	9/1980	Shames et al.	4,787,591 A	11/1988	Villacorta
4,243,253 A	1/1981	Rogers, Jr.	4,790,294 A	12/1988	Allred, III et al.
4,244,526 A	1/1981	Arth	4,801,091 A	1/1989	Sandvik
D258,677 S	3/1981	Larsson	4,809,369 A	3/1989	Bowden
4,254,914 A	3/1981	Shames et al.	4,839,599 A	6/1989	Fischer
4,258,414 A	3/1981	Sokol	4,842,059 A	6/1989	Tomek
4,272,022 A	6/1981	Evans	D302,325 S	7/1989	Charet et al.
4,274,400 A	6/1981	Baus	4,850,616 A	7/1989	Pava
4,282,612 A	8/1981	King	4,854,499 A	8/1989	Neuman
D261,300 S	10/1981	Klose	4,856,822 A	8/1989	Parker
D261,417 S	10/1981	Klose	4,865,362 A	9/1989	Holden
4,303,201 A	12/1981	Elkins et al.	D303,830 S	10/1989	Ramsey et al.
4,319,608 A	3/1982	Raikov et al.	4,871,196 A	10/1989	Kingsford
4,330,089 A	5/1982	Finkbeiner	4,896,658 A	1/1990	Yonekubo et al.
D266,212 S	9/1982	Haug et al.	D306,351 S	2/1990	Charet et al.
4,350,298 A	9/1982	Tada	4,901,927 A	2/1990	Valdivia
4,353,508 A	10/1982	Butterfield et al.	4,903,178 A	2/1990	Englot et al.
4,358,056 A	11/1982	Greenhut et al.	4,903,897 A	2/1990	Hayes
D267,582 S	1/1983	Mackay et al.	4,903,922 A	2/1990	Harris, III
D268,359 S	3/1983	Klose	4,907,137 A	3/1990	Schladitz et al.
D268,442 S	3/1983	Darmon	4,907,744 A	3/1990	Jousson
D268,611 S	4/1983	Klose	4,909,435 A	3/1990	Kidouchi et al.
4,383,554 A	5/1983	Merriman	4,914,759 A	4/1990	Goff
4,396,797 A	8/1983	Sakuragi et al.	4,946,202 A	8/1990	Perricone
4,398,669 A	8/1983	Fienhold	4,951,329 A	8/1990	Shaw
4,425,965 A	1/1984	Bayh, III et al.	4,953,585 A	9/1990	Rollini et al.
4,432,392 A	2/1984	Paley	4,964,573 A	10/1990	Lipski
D274,457 S	6/1984	Haug	4,972,048 A	11/1990	Martin

US D625,776 S

Page 4

D313,267 S	12/1990	Lenci et al.	D340,376 S	10/1993	Klose
4,976,460 A	12/1990	Newcombe et al.	5,253,670 A	10/1993	Perrott
D314,246 S	1/1991	Bache	5,253,807 A	10/1993	Newbegin
D315,191 S	3/1991	Mikol	5,254,809 A	10/1993	Martin
4,998,673 A	3/1991	Pilolla	D341,007 S	11/1993	Haug et al.
5,004,158 A	4/1991	Halem et al.	D341,191 S	11/1993	Klose
D317,348 S	6/1991	Geneve et al.	D341,220 S	11/1993	Eagan
5,020,570 A	6/1991	Cotter	5,263,646 A	11/1993	McCauley
5,022,103 A	6/1991	Faist	5,265,833 A	11/1993	Heimann et al.
5,032,015 A	7/1991	Christianson	5,268,826 A	12/1993	Greene
5,033,528 A	7/1991	Volcani	5,276,596 A	1/1994	Krenzel
5,033,897 A	7/1991	Chen	5,277,391 A	1/1994	Haug et al.
D319,294 S	8/1991	Kohler, Jr. et al.	5,286,071 A	2/1994	Storage
D320,064 S	9/1991	Presman	5,288,110 A	2/1994	Allread
5,046,764 A	9/1991	Kimura et al.	5,294,054 A	3/1994	Benedict et al.
D321,062 S	10/1991	Bonbright	5,297,735 A	3/1994	Heimann et al.
5,058,804 A	10/1991	Yonekubo et al.	5,297,739 A	3/1994	Allen
D322,119 S	12/1991	Haug et al.	D345,811 S	4/1994	Van Deursen et al.
D322,681 S	12/1991	Yuen	D346,426 S	4/1994	Warshawsky
5,070,552 A	12/1991	Gentry et al.	D346,428 S	4/1994	Warshawsky
D323,545 S	1/1992	Ward	D346,430 S	4/1994	Warshawsky
5,082,019 A	1/1992	Tetrault	D347,262 S	5/1994	Black et al.
5,086,878 A	2/1992	Swift	D347,265 S	5/1994	Gottwald
5,090,624 A	2/1992	Rogers	5,316,216 A	5/1994	Cammack et al.
5,100,055 A	3/1992	Rokitenetz et al.	D348,720 S	7/1994	Haug et al.
D325,769 S	4/1992	Haug et al.	5,329,650 A	7/1994	Zaccai et al.
D325,770 S	4/1992	Haug et al.	D349,947 S	8/1994	Hing-Wah
5,103,384 A	4/1992	Drohan	5,333,787 A	8/1994	Smith et al.
D326,311 S	5/1992	Lenci et al.	5,333,789 A	8/1994	Garneys
D327,115 S	6/1992	Rogers	5,340,064 A	8/1994	Heimann et al.
5,121,511 A	6/1992	Sakamoto et al.	5,340,165 A	8/1994	Sheppard
D327,729 S	7/1992	Rogers	D350,808 S	9/1994	Warshawsky
5,127,580 A	7/1992	Fu-I	5,344,080 A	9/1994	Matsui
5,134,251 A	7/1992	Martin	5,349,987 A	9/1994	Shieh
D328,944 S	8/1992	Robbins	5,356,076 A	10/1994	Bishop
5,141,016 A	8/1992	Nowicki	5,356,077 A	10/1994	Shames
D329,504 S	9/1992	Yuen	D352,092 S	11/1994	Warshawsky
5,143,300 A	9/1992	Cutler	D352,347 S	11/1994	Dannenberg
5,145,114 A	9/1992	Monch	D352,766 S	11/1994	Hill et al.
5,148,556 A	9/1992	Bottoms et al.	5,368,235 A	11/1994	Drozdoff et al.
D330,068 S	10/1992	Haug et al.	5,369,556 A	11/1994	Zeller
D330,408 S	10/1992	Thacker	5,370,427 A	12/1994	Hoelle et al.
D330,409 S	10/1992	Raffo	5,385,500 A	1/1995	Schmidt
5,153,976 A	10/1992	Benchaar et al.	D355,242 S	2/1995	Warshawsky
5,154,355 A	10/1992	Gonzalez	D355,703 S	2/1995	Duell
5,154,483 A	10/1992	Zeller	D356,626 S	3/1995	Wang
5,161,567 A	11/1992	Humpert	5,397,064 A	3/1995	Heitzman
5,163,752 A	11/1992	Copeland et al.	5,398,872 A	3/1995	Joubran
5,171,429 A	12/1992	Yasuo	5,398,977 A	3/1995	Berger et al.
5,172,860 A	12/1992	Yuch	5,402,812 A	4/1995	Moineau et al.
5,172,862 A	12/1992	Heimann et al.	5,405,089 A	4/1995	Heimann et al.
5,172,866 A	12/1992	Ward	5,414,879 A	5/1995	Hiraishi et al.
D332,303 S	1/1993	Klose	5,423,348 A	6/1995	Jezek et al.
D332,994 S	2/1993	Huen	5,433,384 A	7/1995	Chan et al.
D333,339 S	2/1993	Klose	D361,399 S	8/1995	Carbone et al.
5,197,767 A	3/1993	Kimura et al.	D361,623 S	8/1995	Huen
D334,794 S	4/1993	Klose	5,441,075 A	8/1995	Clare
D335,171 S	4/1993	Lenci et al.	5,449,206 A	9/1995	Lockwood
5,201,468 A	4/1993	Freier et al.	D363,360 S	10/1995	Santarsiero
5,206,963 A	5/1993	Wiens	5,454,809 A	10/1995	Janssen
5,207,499 A	5/1993	Vajda et al.	5,468,057 A	11/1995	Megerle et al.
5,213,267 A	5/1993	Heimann et al.	D364,935 S	12/1995	deBlois
5,220,697 A	6/1993	Birchfield	D365,625 S	12/1995	Bova
D337,839 S	7/1993	Zeller	D365,646 S	12/1995	deBlois
5,228,625 A	7/1993	Grassberger	5,476,225 A	12/1995	Chan
5,230,106 A	7/1993	Henkin et al.	D366,309 S	1/1996	Huang
D338,542 S	8/1993	Yuen	D366,707 S	1/1996	Kaiser
5,232,162 A	8/1993	Chih	D366,708 S	1/1996	Santarsiero
D339,492 S	9/1993	Klose	D366,709 S	1/1996	Szmanski
D339,627 S	9/1993	Klose	D366,710 S	1/1996	Szymanski
D339,848 S	9/1993	Gottwald	5,481,765 A	1/1996	Wang
5,246,169 A	9/1993	Heimann et al.	D366,948 S	2/1996	Carbone
5,246,301 A	9/1993	Hirasawa	D367,315 S	2/1996	Andrus

US D625,776 S

Page 5

D367,333 S	2/1996	Swyst	5,624,074 A	4/1997	Parisi
D367,696 S	3/1996	Andrus	5,624,498 A	4/1997	Lee et al.
D367,934 S	3/1996	Carbone	D379,212 S	5/1997	Chan
D368,146 S	3/1996	Carbone	D379,404 S	5/1997	Spelts
D368,317 S	3/1996	Swyst	5,632,049 A	5/1997	Chen
5,499,767 A	3/1996	Morand	D381,405 S	7/1997	Waidele et al.
D368,539 S	4/1996	Carbone et al.	D381,737 S	7/1997	Chan
D368,540 S	4/1996	Santarsiero	D382,936 S	8/1997	Shfaram
D368,541 S	4/1996	Kaiser et al.	5,653,260 A	8/1997	Huber
D368,542 S	4/1996	deBlois et al.	5,667,146 A	9/1997	Pimentel et al.
D369,204 S	4/1996	Andrus	D385,332 S	10/1997	Andrus
D369,205 S	4/1996	Andrus	D385,333 S	10/1997	Caroen et al.
5,507,436 A	4/1996	Ruttenberg	D385,334 S	10/1997	Caroen et al.
D369,873 S	5/1996	deBlois et al.	D385,616 S	10/1997	Dow et al.
D369,874 S	5/1996	Santarsiero	D385,947 S	11/1997	Dow et al.
D369,875 S	5/1996	Carbone	D387,230 S	12/1997	von Buelow et al.
D370,052 S	5/1996	Chan et al.	5,699,964 A	12/1997	Bergmann et al.
D370,250 S	5/1996	Fawcett et al.	5,702,057 A	12/1997	Huber
D370,277 S	5/1996	Kaiser	D389,558 S	1/1998	Andrus
D370,278 S	5/1996	Nolan	5,704,080 A	1/1998	Kuhne
D370,279 S	5/1996	deBlois	5,718,380 A	2/1998	Schorn et al.
D370,280 S	5/1996	Kaiser	D392,369 S	3/1998	Chan
D370,281 S	5/1996	Johnstone et al.	5,730,361 A	3/1998	Thonnes
5,517,392 A	5/1996	Rouso et al.	5,730,362 A	3/1998	Cordes
5,521,803 A	5/1996	Eckert et al.	5,730,363 A	3/1998	Kress
D370,542 S	6/1996	Santarsiero	5,742,961 A	4/1998	Casperson et al.
D370,735 S	6/1996	deBlois	D394,490 S	5/1998	Andrus et al.
D370,987 S	6/1996	Santarsiero	5,746,375 A	5/1998	Guo
D370,988 S	6/1996	Santarsiero	5,749,552 A	5/1998	Fan
D371,448 S	7/1996	Santarsiero	5,749,602 A	5/1998	Delaney et al.
D371,618 S	7/1996	Nolan	D394,899 S	6/1998	Caroen et al.
D371,619 S	7/1996	Szymanski	D395,074 S	6/1998	Neibrook
D371,856 S	7/1996	Carbone	D395,075 S	6/1998	Neibrook et al.
D372,318 S	7/1996	Szymanski	D395,142 S	6/1998	Neibrook
D372,319 S	7/1996	Carbone	5,765,760 A	6/1998	Kuo
5,531,625 A	7/1996	Zhong	5,769,802 A	6/1998	Wang
5,539,624 A	7/1996	Dougherty	5,772,120 A	6/1998	Huber
D372,548 S	8/1996	Carbone	5,778,939 A	7/1998	Hok-Yin
D372,998 S	8/1996	Carbone	5,788,157 A	8/1998	Kress
D373,210 S	8/1996	Santarsiero	D398,370 S	9/1998	Purdy
D373,434 S	9/1996	Nolan	5,806,771 A	9/1998	Loschelder et al.
D373,435 S	9/1996	Nolan	5,819,791 A	10/1998	Chronister et al.
D373,645 S	9/1996	Johnstone et al.	5,820,574 A	10/1998	Henkin et al.
D373,646 S	9/1996	Szymanski et al.	5,823,431 A	10/1998	Pierce
D373,647 S	9/1996	Kaiser	5,823,442 A	10/1998	Guo
D373,648 S	9/1996	Kaiser	5,833,138 A	11/1998	Crane et al.
D373,649 S	9/1996	Carbone	5,839,666 A	11/1998	Heimann et al.
D373,651 S	9/1996	Szymanski	D402,350 S	12/1998	Andrus et al.
D373,652 S	9/1996	Kaiser	D403,754 S	1/1999	Gottwald
5,551,637 A	9/1996	Lo	D404,116 S	1/1999	Bosio
5,552,973 A	9/1996	Hsu	5,855,348 A	1/1999	Fornara
5,558,278 A	9/1996	Gallorini	5,860,599 A	1/1999	Lin
D374,271 S	10/1996	Fleischmann	5,862,543 A	1/1999	Reynoso et al.
D374,297 S	10/1996	Kaiser	5,862,985 A	1/1999	Neibrook et al.
D374,298 S	10/1996	Swyst	D405,502 S	2/1999	Tse
D374,299 S	10/1996	Carbone	5,865,375 A	2/1999	Hsu
D374,493 S	10/1996	Szymanski	5,865,378 A	2/1999	Hollinshead et al.
D374,494 S	10/1996	Santarsiero	5,873,647 A	2/1999	Kurtz et al.
D374,732 S	10/1996	Kaiser	D408,893 S	4/1999	Tse
D374,733 S	10/1996	Santarsiero	D409,276 S	5/1999	Ratzlaff
5,560,548 A	10/1996	Mueller et al.	D410,276 S	5/1999	Ben-Tsur
5,567,115 A	10/1996	Carbone	5,918,809 A	7/1999	Simmons
D375,541 S	11/1996	Michaluk	5,918,811 A	7/1999	Denham et al.
5,577,664 A	11/1996	Heitzman	D413,157 S	8/1999	Ratzlaff
D376,217 S	12/1996	Kaiser	5,937,905 A	8/1999	Santos
D376,860 S	12/1996	Santarsiero	5,938,123 A	8/1999	Heitzman
D376,861 S	12/1996	Johnstone et al.	5,947,388 A	9/1999	Woodruff
D376,862 S	12/1996	Carbone	D415,247 S	10/1999	Haverstraw et al.
5,605,173 A	2/1997	Arnaud	5,961,046 A	10/1999	Joubran
D378,401 S	3/1997	Neufeld et al.	5,979,776 A	11/1999	Williams
5,613,638 A	3/1997	Blessing	5,992,762 A	11/1999	Wang
5,613,639 A	3/1997	Storm et al.	D418,200 S	12/1999	Ben-Tsur
5,615,837 A	4/1997	Roman	5,997,047 A	12/1999	Pimentel et al.

US D625,776 S

Page 6

6,003,165 A	12/1999	Loyd	D451,172 S	11/2001	Lindholm et al.
D418,902 S	1/2000	Haverstraw et al.	6,321,777 B1	11/2001	Wu
D418,903 S	1/2000	Haverstraw et al.	6,322,006 B1	11/2001	Guo
D418,904 S	1/2000	Milrud	D451,583 S	12/2001	Lindholm et al.
D421,099 S	2/2000	Mullenmeister	D451,980 S	12/2001	Lindholm et al.
6,021,960 A	2/2000	Kehat	D452,553 S	12/2001	Lindholm et al.
D422,053 S	3/2000	Brenner et al.	D452,725 S	1/2002	Lindholm et al.
6,042,027 A	3/2000	Sandvik	D452,897 S	1/2002	Gillette et al.
6,042,155 A	3/2000	Lockwood	D453,369 S	2/2002	Lobermeier
D422,336 S	4/2000	Haverstraw et al.	D453,370 S	2/2002	Lindholm et al.
D422,337 S	4/2000	Chan	D453,551 S	2/2002	Lindholm et al.
D423,083 S	4/2000	Haug et al.	6,349,735 B2	2/2002	Gul
D423,110 S	4/2000	Cipkowski	D454,617 S	3/2002	Curbbun et al.
D424,160 S	5/2000	Haug et al.	D454,938 S	3/2002	Lord
D424,161 S	5/2000	Haug et al.	6,375,342 B1	4/2002	Koren et al.
D424,162 S	5/2000	Haug et al.	D457,937 S	5/2002	Lindholm et al.
D424,163 S	5/2000	Haug et al.	6,382,531 B1	5/2002	Tracy
D426,290 S	6/2000	Haug et al.	D458,348 S	6/2002	Mullenmeister
D427,661 S	7/2000	Haverstraw et al.	6,412,711 B1	7/2002	Fan
D428,110 S	7/2000	Haug et al.	D461,224 S	8/2002	Lobermeier
D428,125 S	7/2000	Chan	D461,878 S	8/2002	Green et al.
6,085,780 A	7/2000	Morris	6,450,425 B1	9/2002	Chen
D430,267 S	8/2000	Milrud et al.	6,454,186 B2	9/2002	Haverstraw et al.
6,095,801 A	8/2000	Spiewak	6,464,265 B1	10/2002	Mikol
D430,643 S	9/2000	Tse	D465,552 S	11/2002	Tse
6,113,002 A	9/2000	Finkbeiner	D465,553 S	11/2002	Singtoroj
6,123,272 A	9/2000	Havican et al.	6,484,952 B2	11/2002	Koren
6,123,308 A	9/2000	Faisst	D468,800 S	1/2003	Tse
D432,624 S	10/2000	Chan	D469,165 S	1/2003	Lim
D432,625 S	10/2000	Chan	6,502,796 B1	1/2003	Wales
D433,096 S	10/2000	Tse	6,508,415 B2	1/2003	Wang
D433,097 S	10/2000	Tse	D470,219 S	2/2003	Schweitzer
6,126,091 A	10/2000	Heitzman	6,515,070 B2	2/2003	Macey
6,126,290 A	10/2000	Veigel	D471,253 S	3/2003	Tse
D434,109 S	11/2000	Ko	D471,953 S	3/2003	Colligan et al.
6,164,569 A	12/2000	Hollinshead et al.	6,533,194 B2	3/2003	Marsh et al.
6,164,570 A	12/2000	Smeltzer	6,537,455 B2	3/2003	Farley
D435,889 S	1/2001	Ben-Tsur et al.	D472,958 S	4/2003	Ouyoung
D439,305 S	3/2001	Slothower	6,550,697 B2	4/2003	Lai
6,199,580 B1	3/2001	Morris	6,595,439 B1	7/2003	Chen
6,202,679 B1	3/2001	Titus	6,607,148 B1	8/2003	Marsh et al.
D440,276 S	4/2001	Slothower	6,611,971 B1	9/2003	Antoniello et al.
D440,277 S	4/2001	Slothower	6,637,676 B2	10/2003	Zieger et al.
D440,278 S	4/2001	Slothower	6,641,057 B2	11/2003	Thomas et al.
D441,059 S	4/2001	Fleischmann	D483,837 S	12/2003	Fan
6,209,799 B1	4/2001	Finkbeiner	6,659,117 B2	12/2003	Gilmore
D443,025 S	5/2001	Kollmann et al.	6,659,372 B2	12/2003	Marsh et al.
D443,026 S	5/2001	Kollmann et al.	D485,887 S	1/2004	Luetzgen et al.
D443,027 S	5/2001	Kollmann et al.	D486,888 S	2/2004	Lobermeier
D443,029 S	5/2001	Kollmann et al.	6,691,338 B2	2/2004	Zieger
6,223,998 B1	5/2001	Heitzman	D487,301 S	3/2004	Haug et al.
6,230,984 B1	5/2001	Jager	D487,498 S	3/2004	Blomstrom
6,230,988 B1	5/2001	Chao	6,701,953 B2	3/2004	Agosta
6,230,989 B1	5/2001	Haverstraw et al.	D489,798 S	5/2004	Hunt
D443,335 S	6/2001	Andrus	D490,498 S	5/2004	Golichowski
D443,336 S	6/2001	Kollmann et al.	6,736,336 B2	5/2004	Wong
D443,347 S	6/2001	Gottwald	6,739,523 B2	5/2004	Haverstraw et al.
6,250,572 B1	6/2001	Chen	6,739,527 B1	5/2004	Chung
D444,865 S	7/2001	Gottwald	D492,004 S	6/2004	Haug et al.
D445,871 S	7/2001	Fan	D492,007 S	6/2004	Kollmann et al.
6,254,014 B1	7/2001	Clearman et al.	6,742,725 B1	6/2004	Fan
6,270,278 B1	8/2001	Mauro	D493,208 S	7/2004	Lin
6,276,004 B1	8/2001	Bertrand et al.	D493,864 S	8/2004	Haug et al.
6,283,447 B1	9/2001	Fleet	D494,655 S	8/2004	Lin
6,286,764 B1	9/2001	Garvey et al.	D494,661 S	8/2004	Zieger et al.
D449,673 S	10/2001	Kollmann et al.	D495,027 S	8/2004	Mazzola
D450,370 S	11/2001	Wales et al.	6,776,357 B1	8/2004	Naito
D450,805 S	11/2001	Lindholm et al.	6,789,751 B1	9/2004	Fan
D450,806 S	11/2001	Lindholm et al.	D496,987 S	10/2004	Glunk
D450,807 S	11/2001	Lindholm et al.	D497,974 S	11/2004	Haug et al.
D451,169 S	11/2001	Lindholm et al.	D498,514 S	11/2004	Haug et al.
D451,170 S	11/2001	Lindholm et al.	D500,121 S	12/2004	Blomstrom
D451,171 S	11/2001	Lindholm et al.	D500,549 S	1/2005	Blomstrom

US D625,776 S

Page 7

D501,242 S	1/2005	Blomstrom	7,384,007 B2	6/2008	Ho	
D502,760 S	3/2005	Zieger et al.	D577,099 S	9/2008	Leber	
D502,761 S	3/2005	Zieger et al.	D577,793 S	9/2008	Leber	
D503,211 S	3/2005	Lin	D580,012 S	11/2008	Quinn et al.	
D503,774 S	4/2005	Zieger	D580,513 S	11/2008	Quinn et al.	
D503,775 S	4/2005	Zieger	D581,013 S	11/2008	Citterio	
D503,966 S	4/2005	Zieger	D581,014 S	11/2008	Quinn et al.	
6,899,292 B2	5/2005	Titinet	D590,048 S *	4/2009	Leber et al.	D23/223
D506,243 S	6/2005	Wu	7,520,448 B2	4/2009	Luetzgen et al.	
D507,037 S	7/2005	Wu	D592,276 S *	5/2009	Schoenherr et al.	D23/223
6,935,581 B2	8/2005	Titinet	D592,278 S	5/2009	Leber	
D509,280 S	9/2005	Bailey et al.	D600,777 S *	9/2009	Whitaker et al.	D23/213
D509,563 S	9/2005	Bailey et al.	D603,935 S	11/2009	Leber	
D510,123 S	9/2005	Tsai	D605,731 S	12/2009	Leber	
D511,809 S	11/2005	Haug et al.	D606,623 S *	12/2009	Whitaker et al.	D23/223
D512,119 S	11/2005	Haug et al.	2003/0062426 A1	4/2003	Gregory et al.	
6,981,661 B1	1/2006	Chen	2004/0118949 A1	6/2004	Marks	
D516,169 S	2/2006	Wu	2005/0001072 A1	1/2005	Bolus et al.	
7,000,854 B2	2/2006	Malek et al.	2005/0284967 A1	12/2005	Korb	
7,004,409 B2	2/2006	Okubo	2006/0016913 A1	1/2006	Williams et al.	
D520,109 S	5/2006	Wu	2006/0043214 A1	3/2006	Macan et al.	
7,048,210 B2	5/2006	Clark	2006/0060678 A1	3/2006	Mazzola	
7,055,767 B1	6/2006	Ko	2006/0102747 A1	5/2006	Ho	
7,070,125 B2	7/2006	Williams et al.	2006/0157590 A1	7/2006	Clearman et al.	
D527,440 S	8/2006	Macan	2006/0163391 A1	7/2006	Schorn	
7,097,122 B1	8/2006	Farley	2006/0219822 A1	10/2006	Miller et al.	
D528,631 S	9/2006	Gillette et al.	2006/0283986 A1	12/2006	Chung	
7,100,845 B1	9/2006	Hsieh	2007/0040054 A1	2/2007	Farzan	
7,111,798 B2	9/2006	Thomas et al.	2007/0200013 A1	8/2007	Hsiao	
D530,389 S	10/2006	Genslak et al.	2007/0246577 A1	10/2007	Leber	
D530,392 S	10/2006	Tse	2007/0272770 A1	11/2007	Leber et al.	
7,114,666 B2	10/2006	Luetzgen et al.	2008/0073449 A1	3/2008	Haynes et al.	
D533,253 S	12/2006	Luetzgen et al.	2008/0083844 A1	4/2008	Leber et al.	
D534,239 S	12/2006	Dingler et al.	2008/0111004 A1	5/2008	Huffman	
D535,354 S	1/2007	Wu	2008/0121293 A1	5/2008	Leber	
D536,060 S	1/2007	Sadler	2008/0156897 A1	7/2008	Leber	
7,156,325 B1	1/2007	Chen	2008/0156902 A1	7/2008	Luetzgen et al.	
D538,391 S	3/2007	Mazzola	2008/0156903 A1	7/2008	Leber	
D540,424 S	4/2007	Kirar	2008/0223957 A1	9/2008	Schorn	
D540,425 S	4/2007	Endo et al.	2008/0272203 A1	11/2008	Leber	
D540,426 S	4/2007	Cropelli	2008/0272591 A1	11/2008	Leber	
D540,427 S	4/2007	Bouroullec et al.	2010/0065665 A1	3/2010	Whitaker	
D542,391 S	5/2007	Gilbert				
D542,393 S	5/2007	Haug et al.				
7,229,031 B2	6/2007	Schmidt				
7,243,863 B2	7/2007	Glunk	CH	234284	3/1963	
7,246,760 B2	7/2007	Marty et al.	DE	352813	5/1922	
D552,713 S	10/2007	Rexach	DE	848627	9/1952	
7,278,591 B2	10/2007	Clearman et al.	DE	854100	10/1952	
D556,295 S	11/2007	Genord et al.	DE	2360534	6/1974	
7,299,510 B2	11/2007	Tsai	DE	2806093	8/1979	
D557,763 S	12/2007	Schoenherr et al.	DE	3107808	9/1982	
D557,764 S	12/2007	Schoenherr et al.	DE	3246327	6/1984	
D557,765 S	12/2007	Schoenherr et al.	DE	3440901	7/1985	
D558,301 S	12/2007	Hoernig et al.	DE	3706320	3/1988	
7,303,151 B2	12/2007	Wu	DE	8804236	6/1988	
D559,357 S	1/2008	Wang et al.	DE	4034695	5/1991	
D559,945 S	1/2008	Patterson et al.	DE	19608085	9/1996	
D560,269 S	1/2008	Tse et al.	EP	0167063	6/1985	
D562,937 S	2/2008	Schoenherr et al.	EP	0478999	4/1992	
D562,938 S	2/2008	Blessing et al.	EP	0514753	11/1992	
D562,941 S	2/2008	Pan et al.	EP	0617644	10/1994	
7,331,536 B1	2/2008	Zhen et al.	EP	0683354	11/1995	
7,347,388 B2	3/2008	Chung	EP	0687851	12/1995	
D565,699 S	4/2008	Berberet	EP	0695907	2/1996	
D565,702 S *	4/2008	Daunter et al.	EP	0719588	7/1996	D23/223
D565,703 S	4/2008	Lammel et al.	EP	0721082	7/1996	
D566,228 S	4/2008	Neagoe	EP	0733747	9/1996	
D566,229 S	4/2008	Rexach	EP	0808661	11/1997	
D567,328 S	4/2008	Spangler et al.	EP	0726811	1/1998	
7,360,723 B2	4/2008	Lev	FR	538538	6/1922	
7,364,097 B2	4/2008	Okuma	FR	873808	7/1942	
7,374,112 B1	5/2008	Bulan et al.	FR	1039750	10/1953	

FOREIGN PATENT DOCUMENTS

US D625,776 S

Page 8

FR	1098836	8/1955	IT	350359	7/1937
FR	2596492	10/1987	IT	563459	5/1957
FR	2695452	3/1994	JP	S63-181459	11/1988
GB	10086	4/1894	JP	H2-78660	6/1990
GB	3314	12/1914	JP	4062238	2/1992
GB	129812	7/1919	JP	4146708	5/1992
GB	204600	10/1923	NL	8902957	6/1991
GB	634483	3/1950	WO	WO 93/12894	7/1993
GB	971866	10/1964	WO	WO 93/25839	12/1993
GB	1111126	4/1968	WO	WO 96/00617	1/1996
GB	2066074	1/1980	WO	WO 98/30336	7/1998
GB	2066704	7/1981	WO	WO 00/10720	3/2000
GB	2068778	8/1981			
GB	2121319	12/1983			
GB	2155984	10/1985			
GB	2156932 A	10/1985			
GB	2199771	7/1988			
GB	2298595	11/1996			
IT	327400	7/1935			

OTHER PUBLICATIONS

Color Copy, Labeled 1B, Gemlo, available at least as early as Dec. 2, 1998.

* cited by examiner

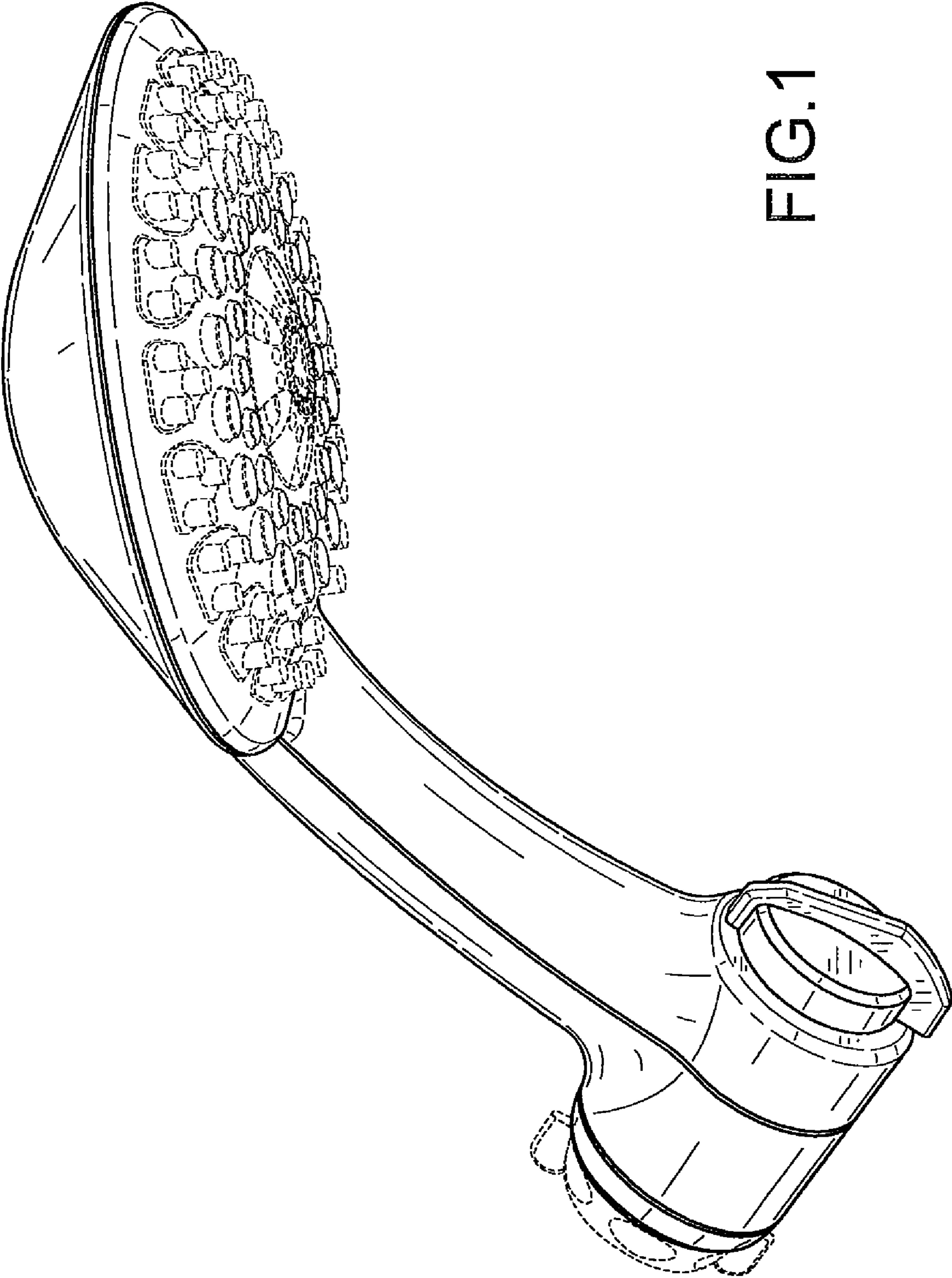


FIG.1

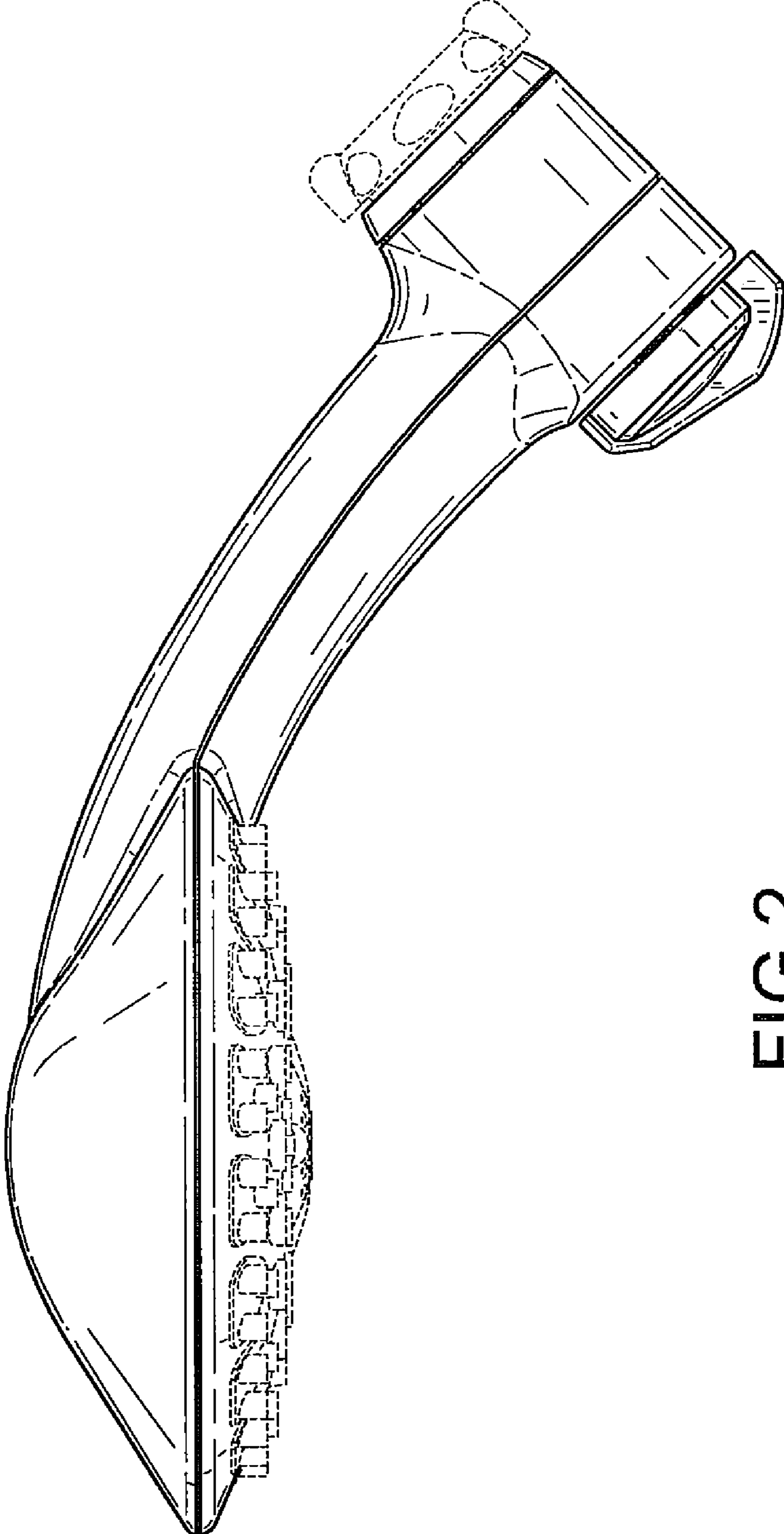


FIG.2

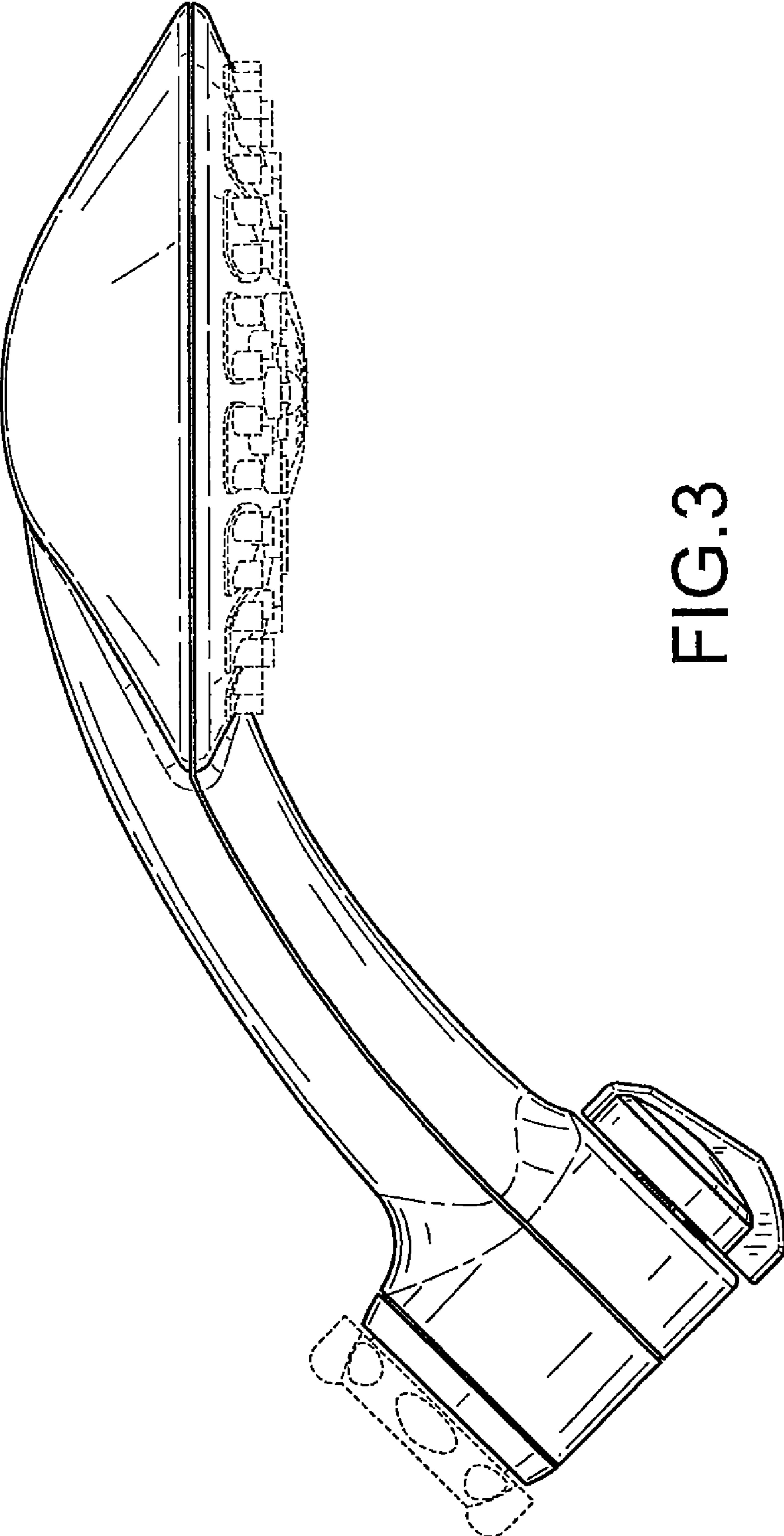


FIG. 3

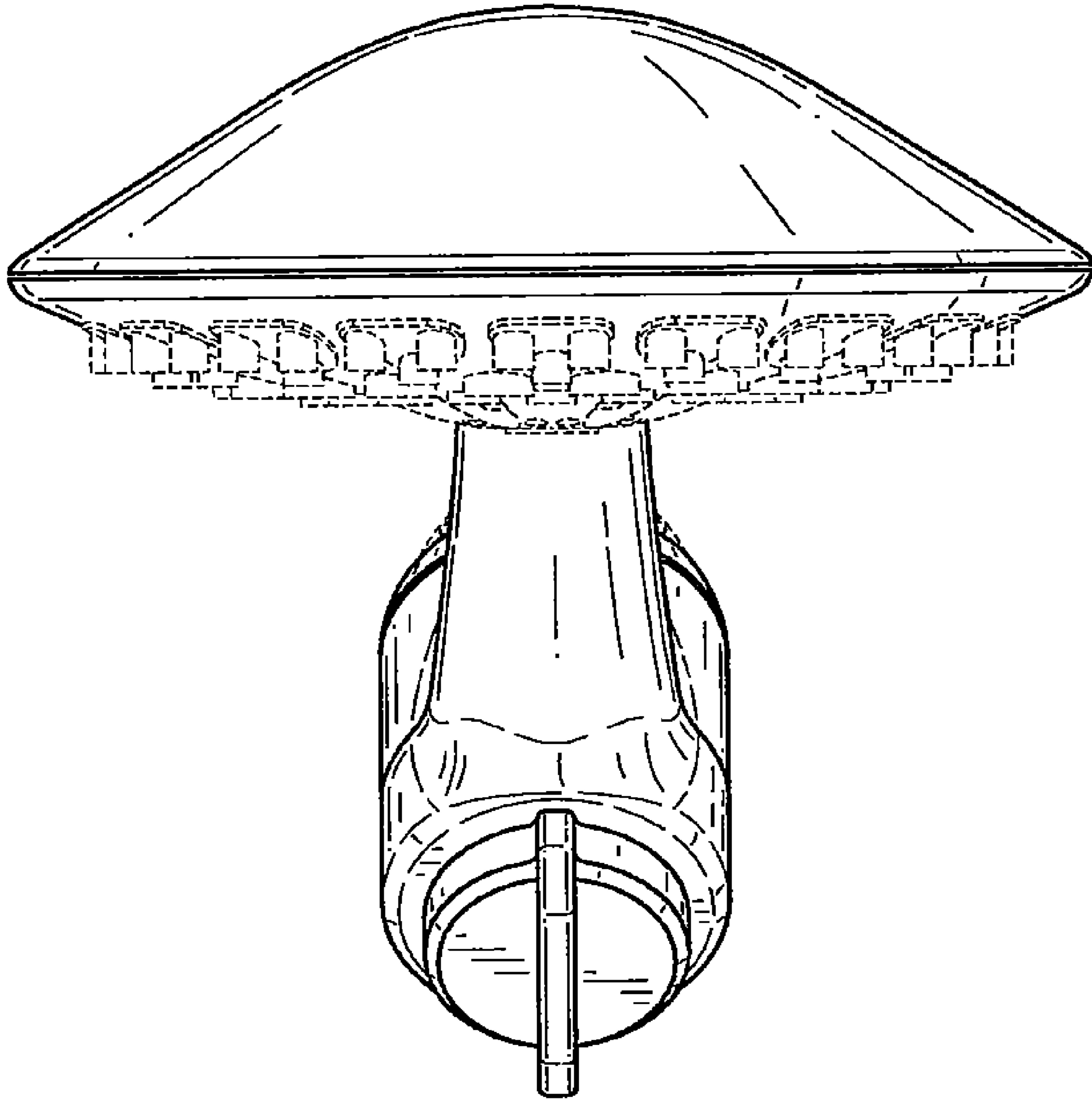


FIG. 4

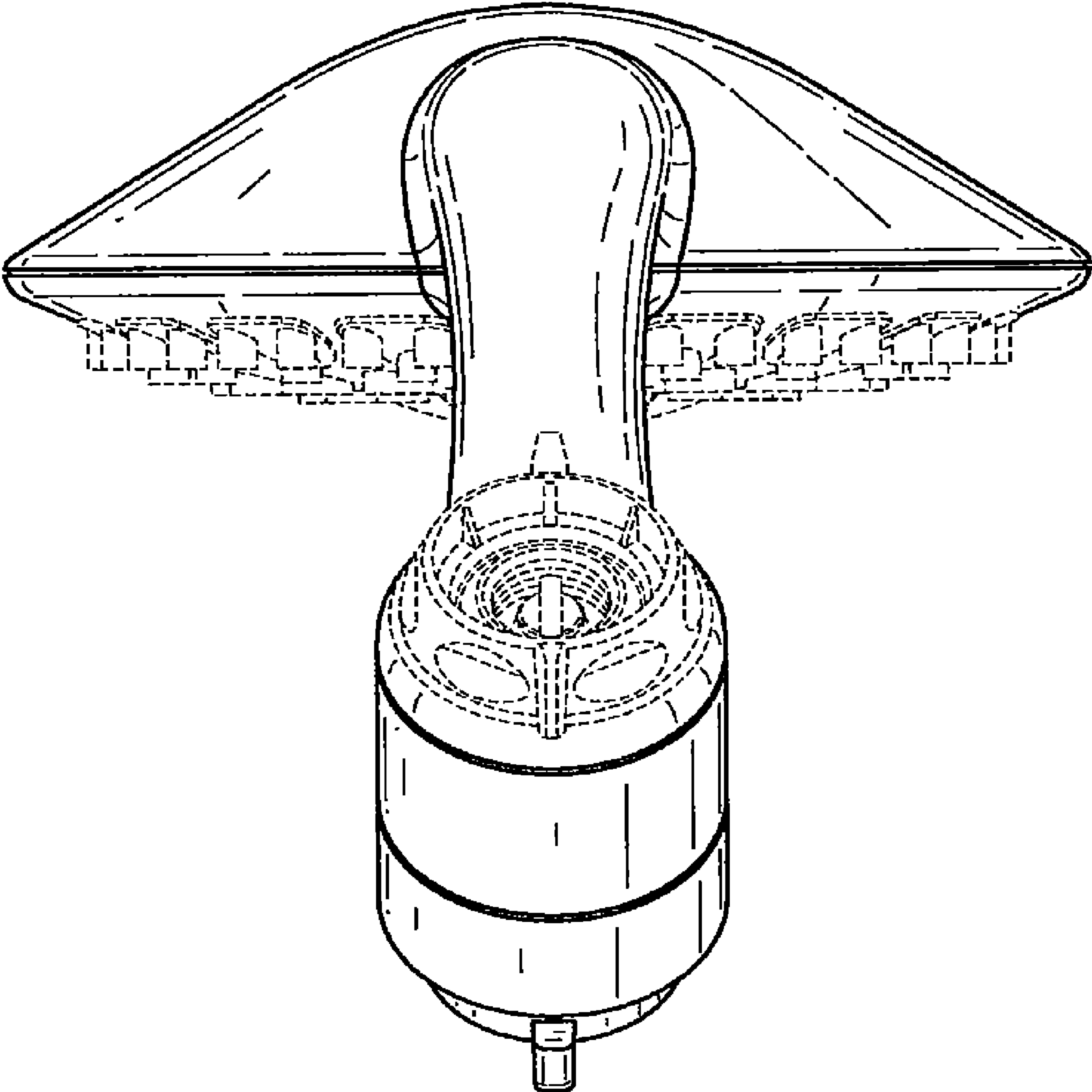


FIG. 5

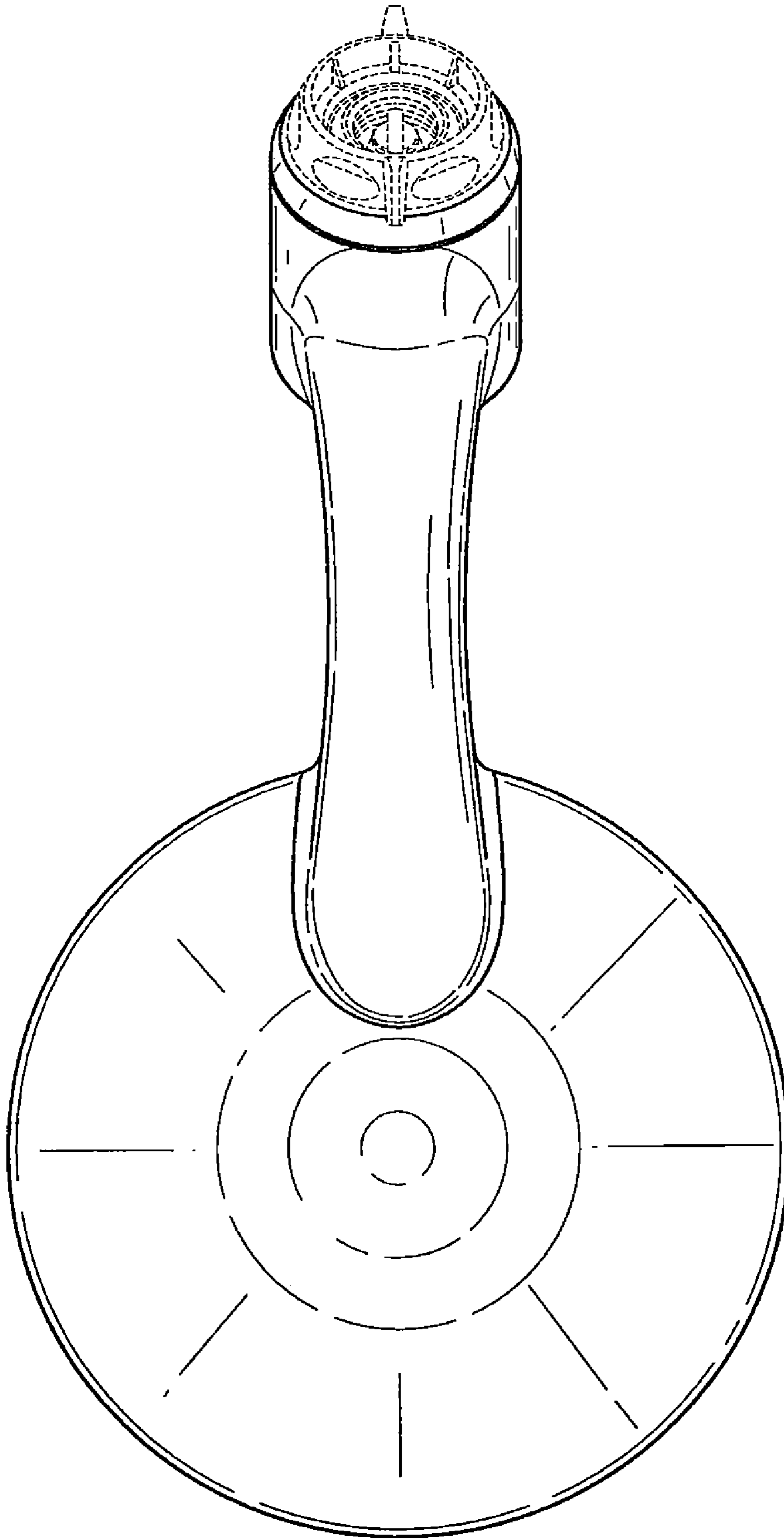


FIG. 6

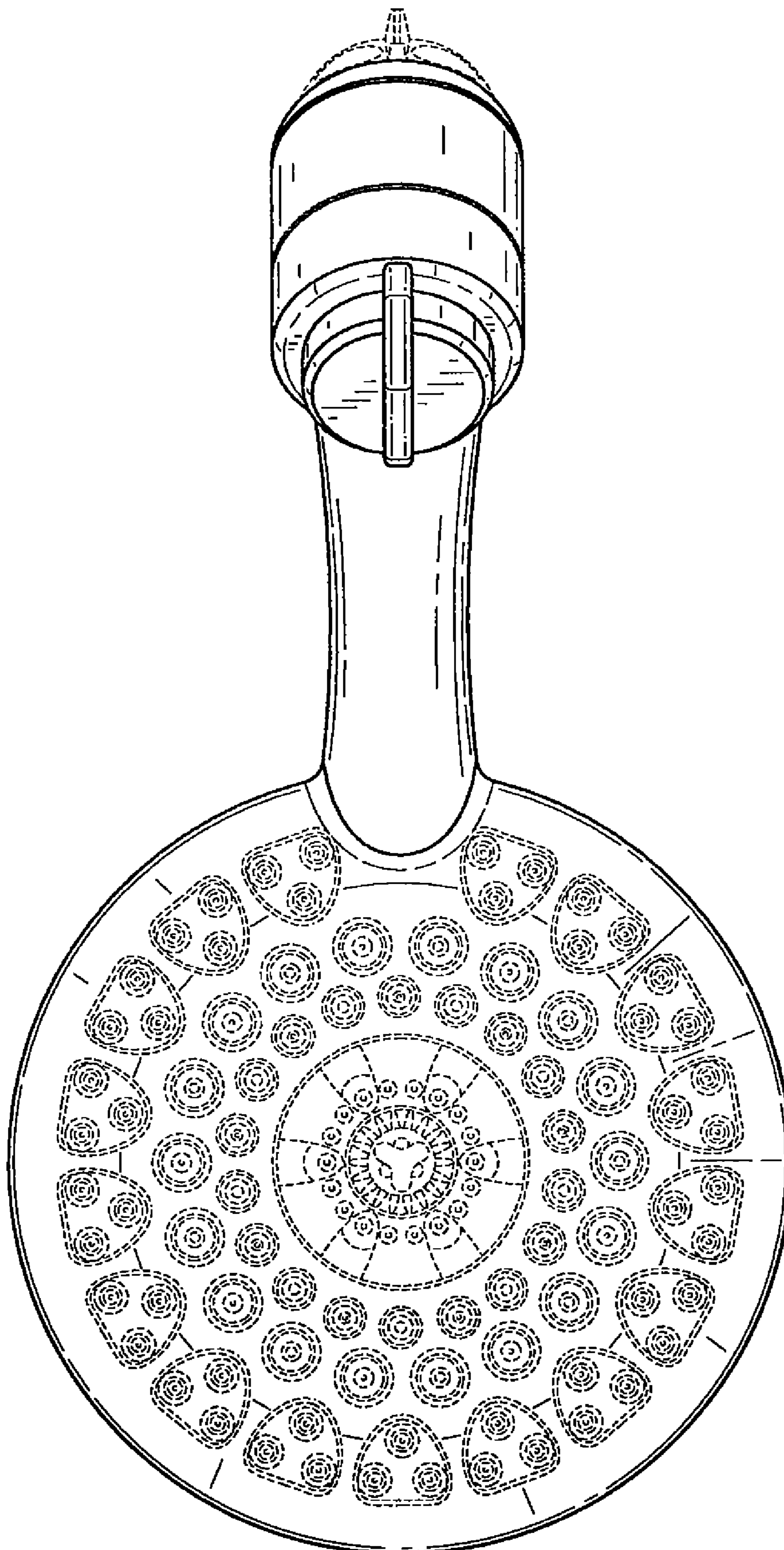


FIG.7

UNITED STATES PATENT AND TRADEMARK OFFICE
Certificate

Patent No. D. 625,776 S

Patented: October 19, 2010

On petition requesting issuance of a certificate for correction of inventorship pursuant to 35 U.S.C. 256, it has been found that the above identified patent, through error and without any deceptive intent, improperly sets forth the inventorship.

Accordingly, it is hereby certified that the correct inventorship of this patent is: Brian R. Williams, Fort Collins, CO (US); Michael J. Quinn, Windsor, CO (US); and Harold A. Luetgen, Windsor, CO (US).

Signed and Sealed this Twenty-fifth Day of June 2013.

CATHRON BROOKS
Supervisory Patent Examiner
Art Unit 2911
Technology Center 2900